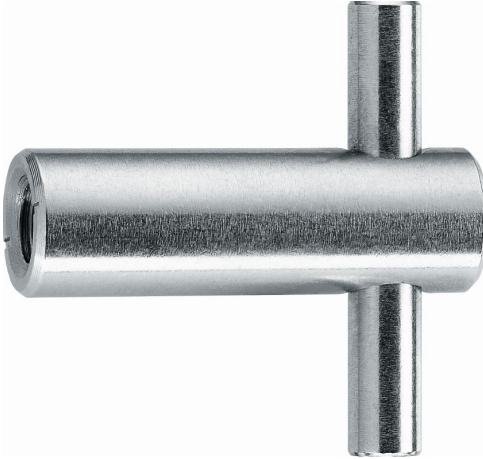




HCX-R Cast-in socket

Anchor versions



HCX-R
Stainless steel

Benefits

- simple well proven design
- easy installation to formwork
- for use with bolts or threaded rods
- available in 5µm galvanised or stainless steel A4 to suit environmental conditions
- HCX-R with head markings for easy identification

Base material

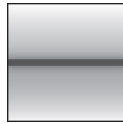


Concrete
(uncracked)



Concrete
(cracked)

Load conditions



Static/
quasi-static

Other information



European
Technical
Assessment

Approvals/certificates

Description	Authority / Laboratory	No. / Date of issue
European technical Assessment ^{a)}	ZAG, Ljubljana	ETA-20/0479 / 2021-09-23

a) All data for static load cases given in this section according to ETA-20/0479, issued 2021-09-23.

Static and quasi-static resistance (for a single anchor)

All data in this section applies to:

- Correct setting (See setting instruction)
- No edge distance and spacing influence
- *Steel* failure
- Minimum base material thickness
- Concrete C 20/25, $f_c = 20 \text{ N/mm}^2$

Effective anchorage depth

Anchor size			M16x70
Eff. Anchorage depth	h_{ef}	[mm]	50

Characteristic resistance

Anchor size			M16x70
Uncracked concrete			
Tension	N_{Rk}	[kN]	21.0
Shear	V_{Rk}	[kN]	21.0
Cracked concrete			
Tension	N_{Rk}	[kN]	15.0
Shear	V_{Rk}	[kN]	15.0

Design resistance

Anchor size			M16x70
Uncracked concrete			
Tension	N_{Rd}	[kN]	14.0
Shear	V_{Rd}	[kN]	14.0
Cracked concrete			
Tension	N_{Rd}	[kN]	10.0
Shear	V_{Rd}	[kN]	10.0

Recommended resistance

Anchor size			M16x70
Uncracked concrete			
Tension	N_{Rec}	[kN]	10.0
Shear	V_{Rec}	[kN]	10.0
Cracked concrete			
Tension	N_{Rec}	[kN]	7.2
Shear	V_{Rec}	[kN]	7.2

Materials

Mechanical properties

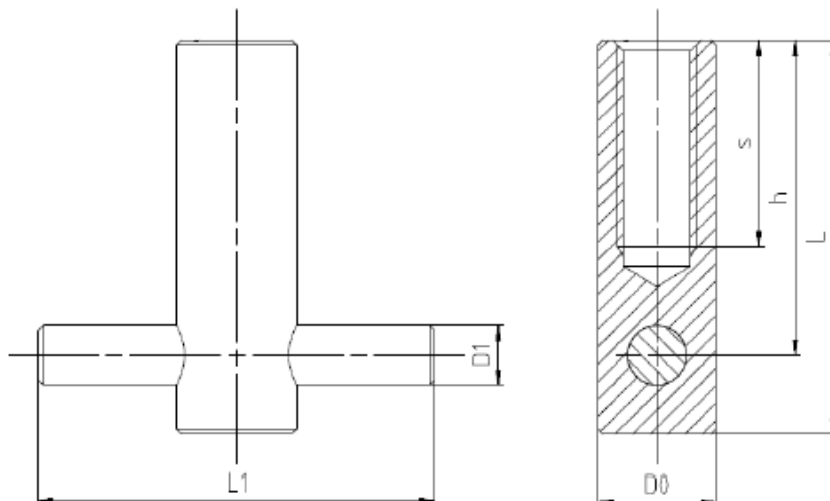
Anchor size		M16x70
Nominal tensile strength f_{uk}	[N/mm ²]	
Anchor body		580
Anchor pin		580
Screw A4-70		700
Yield strength f_{yk}	[N/mm ²]	
Anchor body		420
Anchor pin		420
Screw A4-70		450
Stressed cross-section A_s Screw	[mm ²]	157
Moment of resistance W Screw	[mm ³]	277
Char. bending resistance $M^0_{Rk,s}$	[Nm]	233,2

Material quality

Part	Material
Anchor body	Stainless steel A4
Anchor pin	Stainless steel A4
Screw	Stainless steel A4-70 according to EN ISO 898-1

Anchor dimensions

Anchor size			M16x70
Anchor body diameter	D_0	[mm]	22
Anchor length	L	[mm]	70
Anchor pin diameter	D_1	[mm]	12
Anchor pin position from top	h	[mm]	56
Allowable screwing depth	$h_{s,min}$	[mm]	19
	$h_{s,max}$	[mm]	33
Anchor pin length	L_1	[mm]	90



Setting information

Setting details

Anchor size			M16x70
Nominal embedment depth	h_{nom}	[mm]	70
Effective embedment depth	h_{ef}	[mm]	50
Max. diameter of clearance hole in the fixture	d_f	[mm]	18
Min. thickness of concrete member	h_{min}	[mm]	100
Maximum setting torque	T_{inst}^{max}	[Nm]	≤ 50
Minimum edge distance and spacing	s_{min}	[mm]	150
	c_{min}	[mm]	100

Setting instructions

*For detailed information on installation see instruction for use given with the package of the product.

Setting instruction

