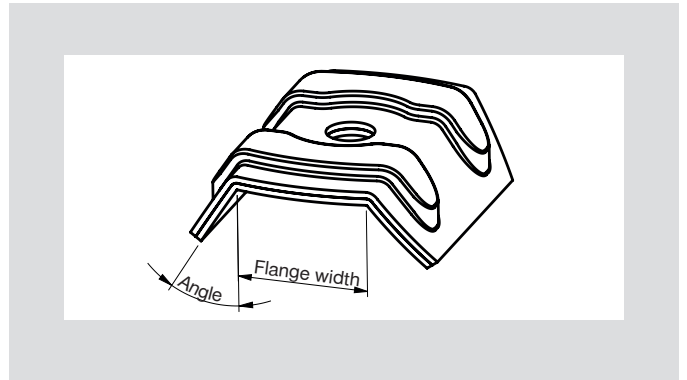
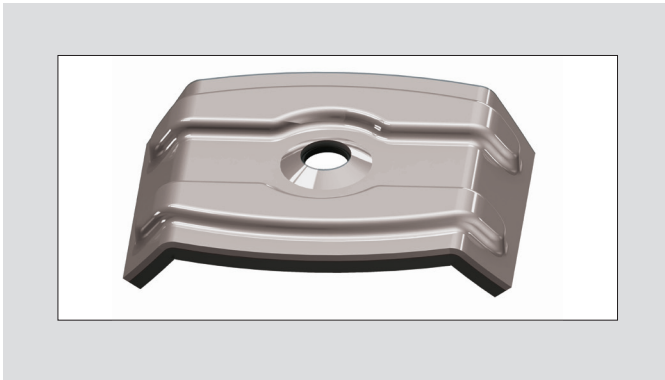


Content

	Page
13.1	
Saddle washer for trapezoidal profile S-SWTR	123
13.2	
Saddle washer for trapezoidal profile S-SWTR RAL	124
13.3	
Saddle washer for wave profile S-SWWA	125
13.4	
Which saddle washer is suitable for which profile?	126
13.5	
13.5.1 S-AW Sealing washer application example	129
13.5.2 Product Data	129
13.5.3 Dimensions	130
13.5.4 Sealing washern for screws with „PS“ (S-MD)	130
13.5.5 Sealing washer for screws without „PS“ (S-MD, S-MP)	130
13.5.6 Sealing washer for screws S-MS	131
13.5.7 Sealing washer for screws panel (S-CD/S-CDW)	131

13.1 Saddle washer for trapezoidal profile S-SWTR

For crown flange assembly of roof coverings made of steel, aluminum and plastic. Stabilizes the profile panel and prevents pressing in of the crown flange



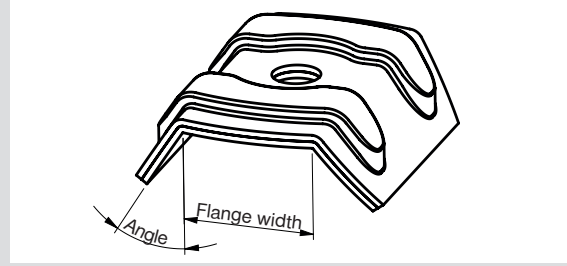
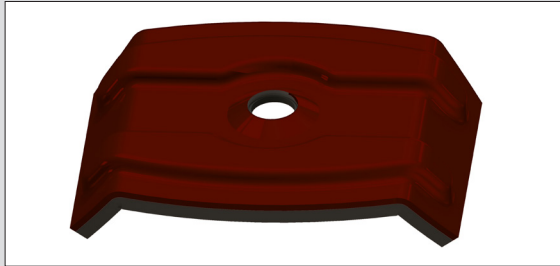
Ordering description	Angle (°)	Flange width (B)	Paint	Hole	EPDM-thickness	Material	Material thickness	Saddle washer length	Sales quantity	Item number
S-SWTR 15/20	15°	20 mm	plain	7.3 mm	2 mm	Aluminium	1 mm	45 mm	100 pc	2106943
S-SWTR 35/20	35°	20 mm	plain	7.3 mm	2 mm	Aluminium	1 mm	45 mm	100 pc	2106944
S-SWTR 30/23	30°	23 mm	plain	7.3 mm	2 mm	Aluminium	1 mm	45 mm	100 pc	2106945
S-SWTR 15/25	15°	25 mm	plain	7.3 mm	2 mm	Aluminium	1 mm	45 mm	100 pc	2106946
S-SWTR 27/25	27°	25 mm	plain	7.3 mm	2 mm	Aluminium	1 mm	45 mm	100 pc	2106947
S-SWTR 40/26	40°	26 mm	plain	7.3 mm	2 mm	Aluminium	1 mm	45 mm	100 pc	2106948
S-SWTR 35/28	35°	28 mm	plain	7.3 mm	2 mm	Aluminium	1 mm	45 mm	100 pc	2106949
S-SWTR 24/30	24°	30 mm	plain	7.3 mm	2 mm	Aluminium	1 mm	45 mm	100 pc	2107120
S-SWTR 38/30	38°	30 mm	plain	7.3 mm	2 mm	Aluminium	1 mm	45 mm	100 pc	2107121
S-SWTR 23/34	23°	34 mm	plain	7.3 mm	2 mm	Aluminium	1 mm	45 mm	100 pc	2107122
S-SWTR 33/37	33°	37 mm	plain	7.3 mm	2 mm	Aluminium	1 mm	45 mm	100 pc	2107123
S-SWTR 17/40	17°	40 mm	plain	7.3 mm	2 mm	Aluminium	1 mm	45 mm	100 pc	2107124
S-SWTR 36/40	36°	40 mm	plain	7.3 mm	2 mm	Aluminium	1 mm	45 mm	100 pc	2107125
S-SWTR 32/54	32°	54 mm	plain	7.3 mm	2 mm	Aluminium	1 mm	45 mm	100 pc	2107126
S-SWTR 22/57	22°	57 mm	plain	7.3 mm	2 mm	Aluminium	1 mm	45 mm	100 ST	2107127
S-SWTR 45/33	48°	33 mm	plain	7.3 mm	2 mm	Aluminium	1 mm	45 mm	100 ST	2109680

Reference: Colors see 13.2 and other colors on request see Chapter 3.5

13.2

Saddle washer for trapezoidal profile S-SWTR RAL

For crown flange assembly of roof coverings made of steel, aluminum and plastic.
Stabilizes the profile panel and prevents pressing in of the crown flange.

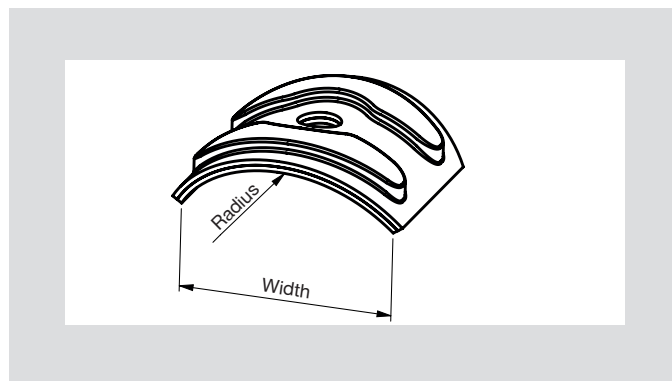
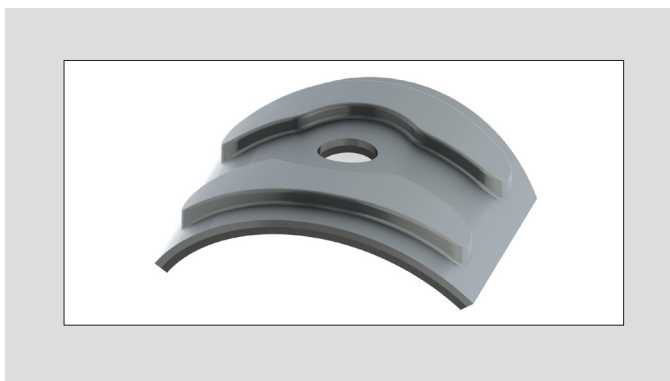


Ordering description	Angle (°)	Flange width (B)	Paint	Hole	EPDM-thickness	Material	Material thickness	Saddle washer length	Sales quantity	Item number
S-SWTR 36/40 RAL 7016	36°	40 mm	RAL 7016	7.3 mm	2 mm	Aluminium	1 mm	45 mm	100 pc	2107131
S-SWTR 36/40 RAL 8012	36°	40 mm	RAL 8012	7.3 mm	2 mm	Aluminium	1 mm	45 mm	100 pc	2107132
S-SWTR 36/40 RAL 3009	36°	40 mm	RAL 3009	7.3 mm	2 mm	Aluminium	1 mm	45 mm	100 pc	2107133
S-SWTR 36/40 RAL 9006	36°	40 mm	RAL 9006	7.3 mm	2 mm	Aluminium	1 mm	45 mm	100 pc	2107134
S-SWTR 17/40 RAL 7016	17°	40 mm	RAL 7016	7.3 mm	2 mm	Aluminium	1 mm	45 mm	100 pc	2107135
S-SWTR 17/40 RAL 8012	17°	40 mm	RAL 8012	7.3 mm	2 mm	Aluminium	1 mm	45 mm	100 pc	2107136
S-SWTR 17/40 RAL 3009	17°	40 mm	RAL 3009	7.3 mm	2 mm	Aluminium	1 mm	45 mm	100 pc	2107137
S-SWTR 17/40 RAL 9006	17°	40 mm	RAL 9006	7.3 mm	2 mm	Aluminium	1 mm	45 mm	100 pc	2107138
S-SWTR 32/54 RAL 7016	32°	54 mm	RAL 7016	7.3 mm	2 mm	Aluminium	1 mm	45 mm	100 pc	2107139
S-SWTR 32/54 RAL 8012	32°	54 mm	RAL 8012	7.3 mm	2 mm	Aluminium	1 mm	45 mm	100 pc	2107140
S-SWTR 32/54 RAL 3009	32°	54 mm	RAL 3009	7.3 mm	2 mm	Aluminium	1 mm	45 mm	100 pc	2107141
S-SWTR 32/54 RAL 9006	32°	54 mm	RAL 9006	7.3 mm	2 mm	Aluminium	1 mm	45 mm	100 pc	2107142
S-SWTR 24/30 RAL 7016	24°	30 mm	RAL 7016	7.3 mm	2 mm	Aluminium	1 mm	45 mm	100 pc	2107143
S-SWTR 24/30 RAL 8012	24°	30 mm	RAL 8012	7.3 mm	2 mm	Aluminium	1 mm	45 mm	100 pc	2107144
S-SWTR 24/30 RAL 3009	24°	30 mm	RAL 3009	7.3 mm	2 mm	Aluminium	1 mm	45 mm	100 pc	2107145
S-SWTR 24/30 RAL 9006	24°	30 mm	RAL 9006	7.3 mm	2 mm	Aluminium	1 mm	45 mm	100 pc	2107146
S-SWTR 27/25 RAL 7016	27°	25 mm	RAL 7016	7.3 mm	2 mm	Aluminium	1 mm	45 mm	100 pc	2107147
S-SWTR 27/25 RAL 8012	27°	25 mm	RAL 8012	7.3 mm	2 mm	Aluminium	1 mm	45 mm	100 pc	2107148
S-SWTR 27/25 RAL 3009	27°	25 mm	RAL 3009	7.3 mm	2 mm	Aluminium	1 mm	45 mm	100 pc	2107149
S-SWTR 27/25 RAL 9006	27°	25 mm	RAL 9006	7.3 mm	2 mm	Aluminium	1 mm	45 mm	100 pc	2107150

Reference: Other colors request see Chapter 3.5

13.3 Saddle washer for wave profile S-SWWA

For crown flange assembly of roof coverings made of steel, aluminum and plastic. Stabilizes the profile panel and prevents pressing in of the crown flange.



Ordering description	Angle (°)	Flange width (B)	Paint	Hole	EPDM-thickness	Material	Material thickness	Saddle washer length	Sales quantity	Item number
S-SWWA 24/40	24°	40 mm	plain	7.3 mm	2 mm	Aluminium	1 mm	45 mm	100 pc	2107128
S-SWWA 32/51	32°	51 mm	plain	7.3 mm	2 mm	Aluminium	1 mm	45 mm	100 pc	2107129
S-SWWA 48/57	48°	57 mm	plain	7.3 mm	2 mm	Aluminium	1 mm	45 mm	100 ST	2107130

Reference: Other colors on request see Chapter 3.5

13.4

Which saddle washer is suitable for which profile?

Saddle washer	Profile name	Manufacturer
W36/40	alubel 28	Alubel
W40/26	alubel 21	
W36/40	alubel 40	
W38/30	alubel 44	
W27/25	Alutech Dach	
W36/40	Aluform 20/125	Aluform
W35/20	Aluform 29/124	
W40/26	Aluform 30/153	
W23/34	Aluform 40/167	
W38/30	Aluform 42/250	
W27/25	Aluform 45/150	
W27/40	Aluform 45/200	
W27/25	Alutherm DT 900	
W38/30	Alutherm DT 1000	
R24/40	Welle 18/76	
R32/51	Welle 35/137	
R48/57	Welle 55/177	
W36/40	AL 34/207	Arcelor
W48/33	A 35/207	
W17/40	B35/207	
W27/25	39/333 T	
W17/40	AL 40/183	
W17/40	A 40/183	
W24/30	AL 42/333 S	
W32/54	44/180	
W27/25	AL 45/150	
W36/40	85/280	
W17/40	100/275	
W17/40	105/345	
W17/40	106/250	
W27/25	Ondatherm 1001 TS	
W27/25	Ondafibre 3005 T	
W27/25	Agratherm 1001 TS	
R24/40	Welle 18/76	
W36/40	20/125	Bieber
W36/40	30/262K	
W36/40	35/207	
W17/40	40/183/183 S	
W36/40	50/250	
W32/54	58/315K	
W32/54	70/200	
W36/40	80/307	
W36/40	89/305	
W17/40	100/275	
W17/40	106/250	
W17/40	110/333	
W36/40	135/310	
W36/40	150/280	
W17/40	160/250	
W17/40	170/250	
W15/25	DP72/82/102/ 122/142/162	Brucha
W40/26	DP-F	
W33/37	DP 20/35	Dansk Profitechnik
W40/26	DP 20/65	
W40/26	DP 20/100	
W36/40	DP 35/115	
R24/40	DP Sinus 18/76	
R32/51	DP Sinus 35/143	
R32/51	DP Sinus Variant 35/143	
W40/26	DS 20/115	DS Staalprofil
W36/40	DS 35/190	
W33/37	DS 35/206	
R32/51	DS Sinus 35/143	
W15/20	SISCOROOF 4G	
W15/20	SISCOTEC ROOF 4G	

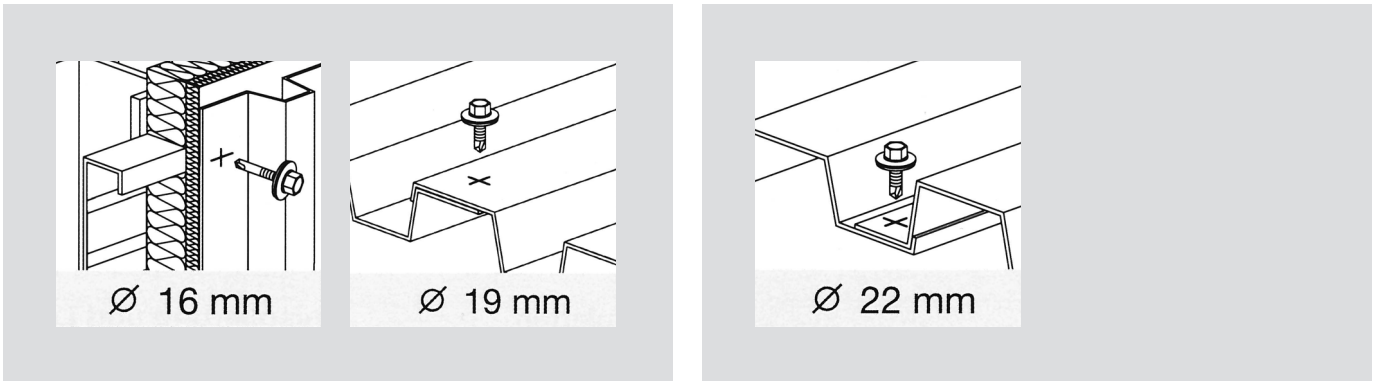
Saddle washer	Profile name	Manufacturer
R 48/57	Welle 5	Eternit
R 48/52	Welle 6	
R 32/51	Welle 8	
W33/37	EL 22/214	Feilmeier
W32/54	EL 30/220	
W36/40	EL 35/207	
W33/37	EL 39/333/S	
W17/40	EL 40/183	
W35/28	EL 45/333/S	
W32/54	EL 50/250	Finish Profiles
R24/40	Welle EL 18/76	
R24/40	Dakprofiel 18 - 76	Finish Profiles
R48/57	Dakprofiel 42 - 960	
W38/30	Dakprofiel 20 - 1090	
W17/40	Dakprofiel 35 - 1000	
W17/40	Dakprofiel 40 - 915	
W32/54	Dakprofiel 50 - 1000	
W32/54	Dakprofiel 58 - 945 KD	
W32/54	Dakprofiel 70R - 800	
W36/40	35/207	Fischer
W17/40	40/183	
W32/54	50/250	
W36/40	85/280	
W17/40	100/275	
W36/40	135/310	
W36/40	150/280	
W17/40	165/250	
R24/40	Sinus 18	
R32/51	Sinus 27	
R48/57	Sinus 42	
W36/40	DL 70; 80; 100; 120; 140; 160	
W36/40	20/220	
W40/26	W-20/990	
W40/26	W-20/1100	
W17/40	W-45R/900	
W38/30	W-45ER/1000	
W17/40	W-155/840	
R24/40	W-1/1064	
W36/40	W-35/1035	
W27/25	Isocop	Isopan
W15/20	Penta 40	Italpanelli
W35/20	Jl 33.250.1000	Joriside
W30/23	Jl 45.333.1000	
W36/40	Jl 35.207.1035	
W17/40	Jl 40.183.915	
W32/54	Jl 50.250.1000	
W32/54	Jl 58.317.945	
W27/25	Jl Roof 1000	
W23/34	Jl Ecopaneel 1000	
W24/30	KS 1000 RW	Kingspan
W27/25	KS 1000 FF	
W36/40	35.207.1035	Klinger & Partner Profilvertrieb GmbH
W40/26	39.333.1000	

Saddle washer	Profile name	Manufacturer
W36/40	KAS AL-20/125 A	Klöckner
W27/25	KAS AL-30/153 A	
W36/40	KAS-35/207	
W23/34	KAS AL-40/167 A	
W17/40	KAS-40/183	
W17/40	KAS AL-45/200 A	
W32/54	KAS-50/250	
W17/40	KAS-85/280	
W17/40	KAS-89/305	
R24/40	KAS -18/76	
R48/57	KAS -42/160	
R48/57	KAS -55/177	
W33/37	KAS -D 65 - 115	
W15/20	KAS -D 68	
W36/40	KAS -D 80	
W17/25	KAS -D 62 - 142	
W35/20	Isocopre	Lattonedil
W15/20	Eurocinque	
W35/20	Eurocopre	
W36/40	35 - 207	Laukien
W36/40	22 - 214	
W40/26	20 - 75	
W27/25	45 - 333 S	
W38/30	40 - 100	
W36/40	50 - 250	
R24/40	18/76	
R32/51	27/111	
R48/57	42/160	
R48/57	55/177	
W27/25	LP 20	Lindab
W36/40	LP 35	
W40/26	LP 1100	
R24/40	Sinus 18	
W35/20	Eurocopre	
W27/25	LM40 250 1000	Luxmetall
W40/26	LM19 156 1094	
R32/51	LM 27-111-1000	
W27/25	35 - 207	Maas
W36/40	22 - 214	
W36/40	20 - 75	
W38/30	45 - 333 S	
W27/25	45-150	
W27/25	45-333 S	
R24/40	Welle 18-76	
R32/51	Welle 27-111	
R48/57	Welle 55-177	
W15/20	G4	Metecno
W15/20	Hipertec Dach	
W15/20	Hipertec Dach	
W35/20	Toproof DG	
W12/20	SISCO	
W40/26	SP 20	Montana
W17/40	SP 26	
W36/40	SP 30	
W36/40	SP 35	
W17/40	SP 40	
W27/40	SP 41	
W24/30	SP 44	
W36/40	SP 45	
W27/25	SP 59	
W17/40	SP 80	
W30/23	MTD TL 65	
W30/23	MTD TL 85	
W30/23	MTD TL 105	
W30/23	MTD TL 125	
W30/23	MTD TL 145	
R24/40	SP 18/1064	
R32/51	SP 27/1000	
R48/57	SP 42/960	

Saddle washer	Profile name	Manufacturer
W33/37	KP	M-Profil
W36/40	M 20/220	Münker
W48/33	M 35.1/207	
W36/40	M 35/207	
W36/40	M 40.1/183	
W17/40	M 40/183	
W27/25	M 40/333	
W27/25	M 40KD/333	
W32/54	M 50/250	
W36/40	M 85/280	
W17/40	M 100/275	
W17/40	M 150/280	
W17/40	M 160/250	
W40/26	M 40/333	
W36/40	20.125/8	O Metall
W38/30	20.136/8	
W17/40	25.280/3	
W40/26	25.268/4	
W23/34	30.207/5	
W40/26	30.153/7	
W36/40	35.207/5	
W17/40	40.183/5	
W27/25	40.250/4	
W27/25	45.150/6	
W27/25	45.333/3	
W32/54	50.250/4	
R24/40	Welle 18.76	
R48/57	Welle 55.177	
R32/51	Welle 27.111	
W40/26	Plannja 19	Plannja
W40/26	Plannja 20-102	
W30/40	Plannja 35	
R24/40	Sinus 18	
R48/57	Sinus 51	
W33/37	Plannja 20	
W17/40	Plannja 60	
W38/30	Plannja 30	
W36/40	Plannja 45	
W27/25	20/154	Proge
W36/40	26/143	
W48/33	30/207	
W36/40	30/220	
W36/40	30 KD	
W36/40	35/207	
W17/40	40/183	
W36/40	45/150	
W27/25	45/333	
W32/54	50/250	
W32/54	58 KD	
W23/34	59/225	
W32/54	70/200	
W17/40	80/277	
W36/40	85/280	
W36/40	90/305	
W17/40	100/275	
W17/40	105/345	
W17/40	106/250	
R24/40	Welle 18/76	
R32/51	Welle 27/111	
R48/57	Welle 42/160	
R48/57	Welle 55/177	
W15/25	D62; D82; D102; D122; D142	Romakowski
W36/40	SPCW; SPC2C PIR	Ruukki

Saddle washer	Profile name	Manufacturer
W27/25	19(KD)/1050	SAB
W36/40	35R/1035	
W17/40	40R/915	
W32/54	50R/1000	
W32/54	70R/800	
W36/40	85R/1120	
W36/40	89R/915	
W17/40	100R/825	
W36/40	30KD/1050	
W23/34	45KD/1000	
W32/54	58KD/945	
W33/37	D 65-75-95-115-135	
W33/37	D135.1000 TL	
R24/40	18/988	
R48/57	42/960	
R24/40	27/1000	
W36/40	PS 35/207	Salzgitter
W17/40	PS 40/183	
W32/54	PS 50/250	
W36/40	PS 85/280	
W17/40	PS 100/275	
W36/40	SIP D	
R24/40	CB 18/76	Siegmetall
W48/33	CB 35/207	
W17/40	40/183	
W27/25	40/333	
W32/54	50/250	
W36/40	CB 75/305	
W36/40	85/280	
W17/40	100/275	
W15/20	Siegfalz	Premium
W36/40	Hoesch Thermodach	ThyssenKrupp Steel Europe AG
W36/40	T 35.1	
W17/40	T 40.1	
W32/54	T 50.1	
W36/40	T 85.1	
W17/40	T 100.1	
W17/40	T 106.1	
R24/40	WP 18/76	
R48/57	WP 42/160	
R32/51	WP 27/100	
W27/25	SNV	Trimo
W36/40	WU 20/125	Wurzer Profiliertechnik GmbH
W35/20	WU 30/200	
W48/33	WU 30D/207	
W33/37	WU 30W/207	
W36/40	WU 35/207	
W17/40	WU 40/183	
W27/25	WU 45/333	
W32/54	WU 50/250	
W36/40	WU 80/307	
W17/40	WU 100/275	
R24/40	WU 18/76	
R32/51	WU 27/111	
R48/57	WU 55/177	
W36/40	plusdach DL	
W15/20	Ter	
R48/57	Welle 42-160	
W35/20	30.200/5	
W38/30	39.333/3	
W40/26	39/333	
W17/40	41/193,5	

13.5.1 S-AW Sealing washer application example



13.5.2 Product Data

Material specification:

z.B.: S-AW04 S16

- S for screw fastening
- A for accessories
- W for washer
- 04 04 - screw \varnothing 4,8 mm
- 05 05 - screw \varnothing 5,5 mm
- 06 06 - screw \varnothing 6,5 mm
- S Stainless steel 1.4301 (S for stainless steel)
- A Aluminium
- 12 - Sealing washern outside- \varnothing 12 mm
- 14 - Sealing washern outside- \varnothing 14 mm
- 16 16 - sealing washer outside- \varnothing 16 mm
- 19 - sealing washer outside- \varnothing 19 mm
- 22 - sealing washer outside- \varnothing 22 mm
- PS for perfect sealing screw
- MS for chipless screw
- CD for sandwich panel screw
- CDW for sandwich panel screw wood

Fastening tools:

Tool ST 1800 / ST 1800-A22
with depth gauge

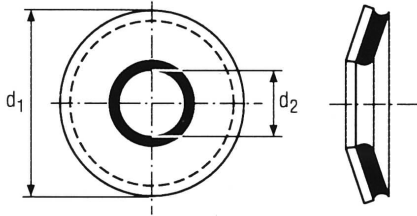


It is essential that the screw be driven correctly in order to ensure that the sealing washer will fulfill its function for many years.

13.5.3 Dimensions

Uses:

For all outdoor applications where the fastening is exposed to the weather.



13.5.4 Sealing washern for screws with „PS“ (S-MD)

Ordering description	Washer size	EPDM-thickness	Screw diameter (d)	Sales quantity	Item number
Sealing washer S-AW05S 16 PS	16 mm	2 mm	5,5 mm	200 pc	2045877
Sealing washer S-AW06S 16 PS	16 mm	2 mm	6,3 mm	200 pc	2045874
Sealing washer S-AW05S 19 PS	19 mm	2 mm	5,5 mm	200 pc	2045878
Sealing washer S-AW06S 19 PS	19 mm	2 mm	6,3 mm	200 pc	2045875
Sealing washer S-AW05S 22 PS	22 mm	2 mm	5,5 mm	200 pc	2045879
Sealing washer S-AW06S 22 PS	22 mm	2 mm	6,3 mm	200 pc	2045876

13.5.5 Sealing washer for screws without „PS“ (S-MD, S-MP)

Ordering description	Washer size	EPDM-thickness	Screw diameter (d)	Sales quantity	Item number
Sealing washer S-AW04S 12	12 mm	2 mm	4,8 mm	200 pc	2109616
Sealing washer S-AW05S 12	12 mm	2 mm	5,5 mm	200 pc	2109617
Sealing washer S-AW04S 14	14 mm	2 mm	4,8 mm	200 pc	2109618
Sealing washer S-AW05S 14	14 mm	2 mm	5,5 mm	200 pc	2109619
Sealing washer S-AW04S 16	16 mm	2 mm	4,8 mm	200 pc	284880
Sealing washer S-AW05S 16	16 mm	2 mm	5,5 mm	200 pc	284883
Sealing washer S-AW06S 16	16 mm	2 mm	6,3/6,5 mm	200 pc	284886
Sealing washer S-AW04S 19	19 mm	2 mm	4,8 mm	200 pc	284881
Sealing washer S-AW05S 19	19 mm	2 mm	5,5 mm	200 pc	284884
Sealing washer S-AW06S 19	19 mm	2 mm	6,3/6,5 mm	200 pc	284887
Sealing washer S-AW04S 22	22 mm	2 mm	4,8 mm	200 pc	284882
Sealing washer S-AW05S 22	22 mm	2 mm	5,5 mm	200 pc	284885
Sealing washer S-AW06S 22	22 mm	2 mm	6,3/6,5 mm	200 pc	284888

13.5.6 Sealing washer for screws S-MS

Ordering description	Washer size	EPDM-thickness	Screw diameter (d)	Sales quantity	Item number
Sealing washer S-AW04S 14 MS	14 mm	2 mm	4,8 mm	200 pc	2109660
Sealing washer S-AW04A 14 MS	14 mm	2 mm	4,8 mm	200 pc	2109661
Sealing washer S-AW04S 16 MS	16 mm	2 mm	4,8 mm	200 pc	2109662
Sealing washer S-AW04A 16 MS	16 mm	2 mm	4,8 mm	200 pc	2109663

13.5.7 Sealing washer for screws panel (S-CD/S-CDW)

Ordering description	Washer size	EPDM-thickness	Screw diameter (d)	Sales quantity	Item number
Sealing washer S-AW06S 16 CD	16 mm	3 mm	5,5 mm	200 ST	2109664
Sealing washer S-AW06S 19 CD	19 mm	3 mm	5,5 mm	200 ST	2109665
Sealing washer S-AW06S 22 CD	22 mm	3 mm	5,5 mm	200 ST	2109666
Sealing washer S-AW06S 29 CD	29 mm	3 mm	5,5 mm	200 ST	2109667
Sealing washer S-AW07S 16 CDW	16 mm	2 mm	6,5 mm	200 ST	2109668
Sealing washer S-AW07S 19 CDW	19 mm	2 mm	6,5 mm	200 ST	2109669
Sealing washer S-AW07S 22 CDW	22 mm	2 mm	6,5 mm	200 ST	2109670
Sealing washer S-AW07S 29 CDW	29 mm	2 mm	6,5 mm	200 ST	2109671