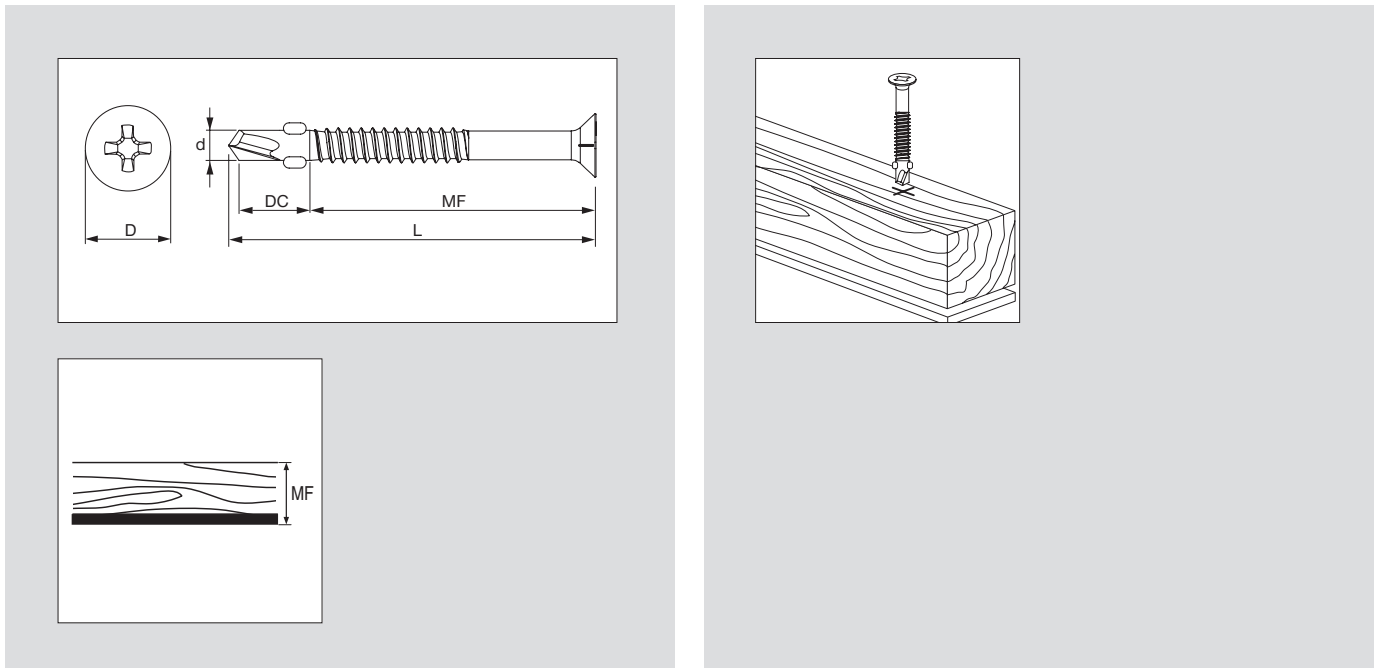


Inhaltsverzeichnis

		Page
11.1		
	Galvanized carbon steel self-drilling wing tip screw	S-WD 11 Z M 107
11.2		
	Galvanized steel self-drilling wing tip screw	S-WD 11 Z 108
11.3		
	Coated steel self-drilling wing tip screw	S-WD 11C 109
11.4		
	Coated steel self-drilling wing tip screw	S-WD 13 C 110
11.5		
	Coated steel self-drilling wing tip screw	S-WD 15 C 111

11.1 Galvanized carbon steel self-drilling wing tip screw S-WD 11 Z M

Carbon steel self-drilling screw for fastening of wood to light steel structures



Ordering description	Drilling capacity range (DC)	Thickness fastened range (MF)	Screw diameter (d)	Screw length - (L)	Screw head diameter	Screw drive/recess type (SW)	Sales quantity	Item number
Wing screw S-WD11Z 3,8x30 M	0,75 - 2.5 mm	10 - 15 mm	3.8 mm	30 mm	8 mm	PH #2	1000 pc	413805
Wing screw S-WD11Z 3,8x41 M	0.63 - 2.5 mm	10 - 26 mm	3.8 mm	41 mm	8 mm	PH #2	1000 pc	413806

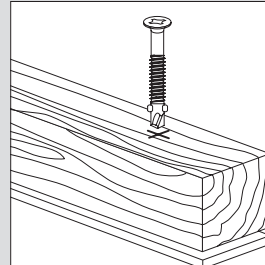
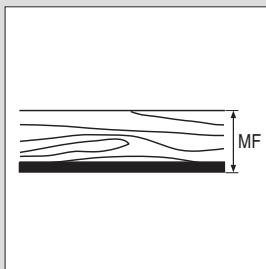
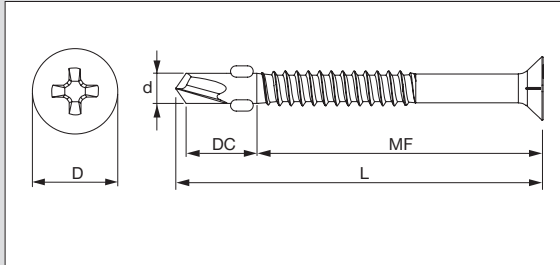
Reference:

- For use with SD 5000 / SD 5000-A 22 und SMD 57

11.2

Galvanized steel self-drilling wing tip screw S-WD 11 Z

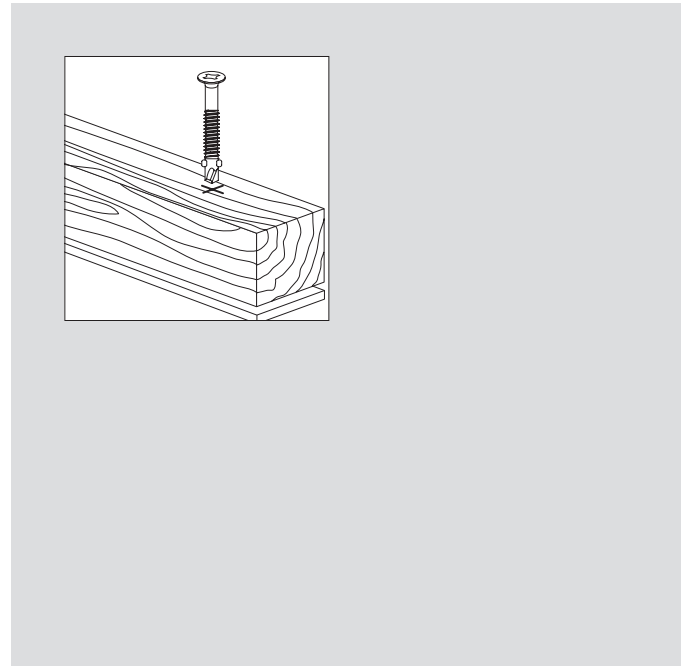
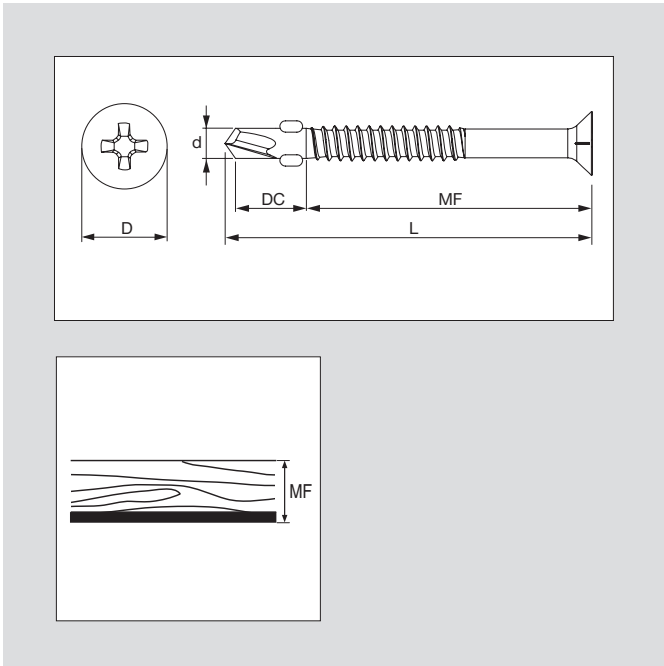
Carbon steel self-drilling screw for fastening of wood to light steel structures



Ordering description	Drilling capacity range (DC)	Thickness fastened range (MF)	Screw diameter (d)	Screw length - (L)	Screw head diameter	Screw drive/recess type (SW)	Sales quantity	Item number
Wing screw S-WD11Z 3,8x30	0,75 - 2.5 mm	10 -15 mm	3.8 mm	30 mm	8 mm	PH #2	1000 pc	413325
Wing screw S-WD11Z 3,8x41	0,75 - 2.5 mm	10 - 26 mm	3.8 mm	41 mm	8 mm	PH #2	500 pc	413326
Wing screw S-WD11Z 3,8x57	0,75 - 2.5 mm	10 - 42 mm	3.8 mm	57 mm	8 mm	PH #2	500 pc	413804

11.3 Coated steel self-drilling wing tip screw S-WD 11C

Carbon steel self-drilling screw for fastening of wood to light steel structures

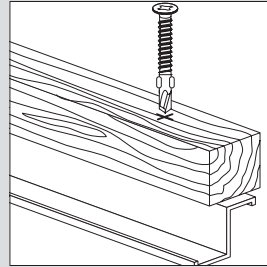
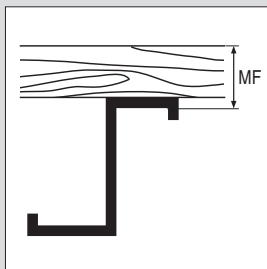
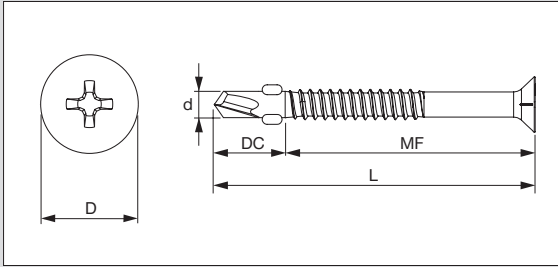


Ordering description	Drilling capacity range (DC)	Thickness fastened range (MF)	Screw diameter (d)	Screw length - (L)	Screw head diameter	Screw drive/recess type (SW)	Sales quantity	Item number
Wing screw S-WD11C 3,8x30	1 - 1.5 mm	15 mm	3.8 mm	30 mm	8 mm	PH#2	200 pc	416231
Wing screw S-WD11C 3,8x41	1 - 1.5 mm	26 mm	3.8 mm	41 mm	8 mm	PH#2	200 pc	416233
Wing screw S-WD11C 3,8x57	1 - 1.5 mm	42 mm	3.8 mm	57 mm	8 mm	PH#2	100 pc	416234
Wing screw S-WD11C 4,2x25	1.25 - 3.5 mm	10 mm	4.2 mm	25 mm	8 mm	PH#2	200 pc	283635

11.4

Coated steel self-drilling wing tip screw S-WD 13 C

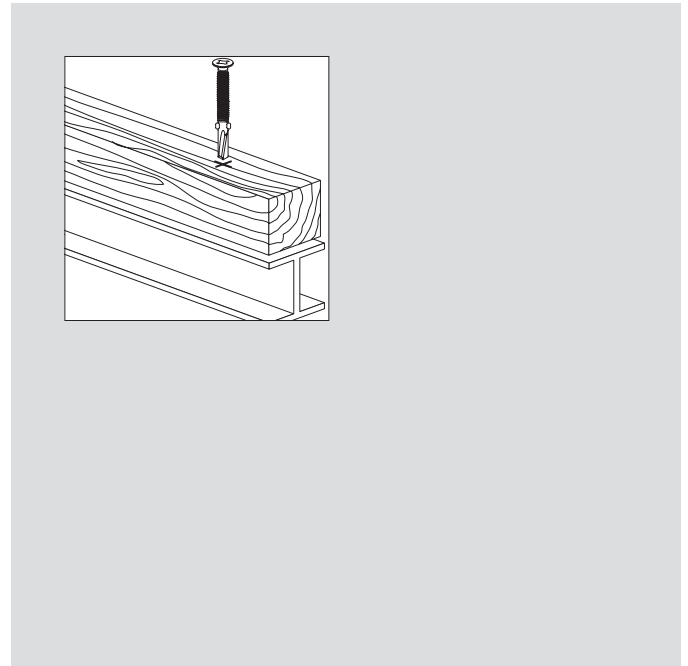
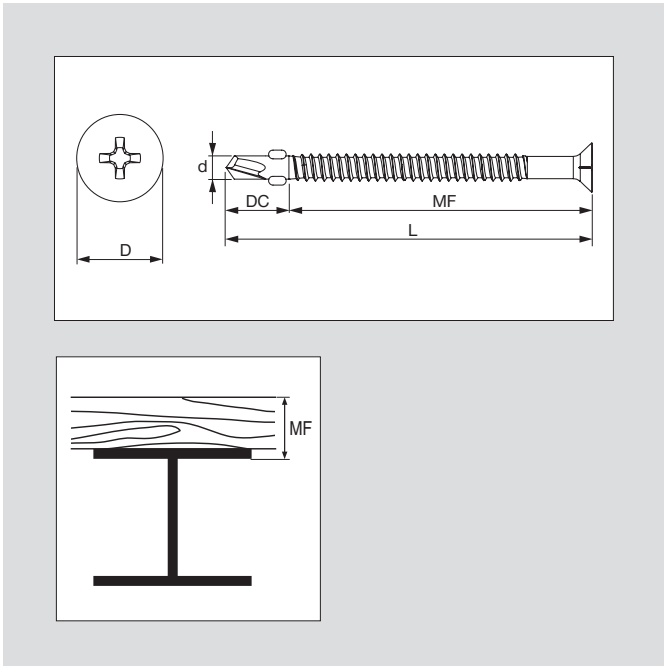
Carbon steel self-drilling screw for fastening of wood to medium steel structures



Ordering description	Drilling capacity range (DC)	Thickness fastened range (MF)	Screw diameter (d)	Screw length - (L)	Screw head diameter	Screw drive/recess type (SW)	Sales quantity	Item number
Wing screw S-WD13C 4,8x38	2.4 - 3.8 mm	10 - 20 mm	4.8 mm	38 mm	9.1 mm	PH #2	200 pc	283636
Wing screw S-WD13C 5,5x50	2.1 - 5.5 mm	10 - 27 mm	5.5 mm	50 mm	10.1 mm	PH #3	100 pc	283637
Wing screw S-WD13C 5,5x65	2.1 - 5.5 mm	10 - 40 mm	5.5 mm	65 mm	10.1 mm	PH #3	100 pc	283638
Wing screw S-WD13C 5,5x85	2.1 - 5.5 mm	10 - 53 mm	5.5 mm	85 mm	10.1 mm	PH #3	100 pc	283639
Wing screw S-WD13C 5,5x100	2.1 - 5.5 mm	10 - 80 mm	5.5 mm	100 mm	10.1 mm	PH #3	100 pc	287078
Wing screw S-WD13C 6,3x70	2.1 - 6 mm	10 - 50 mm	6.3 mm	65 mm	10.1 mm	PH #3	100 pc	416235
Wing screw S-WD13C 6,3x87	2.1 - 6 mm	10 - 63 mm	6.3 mm	87 mm	10.1 mm	PH #3	100 pc	416236

11.5 Coated steel self-drilling wing tip screw S-WD 15 C

Carbon steel self-drilling screw for fastening of wood to heavy steel structures



Ordering description	Drilling capacity range (DC)	Thickness fastened range (MF)	Screw diameter (d)	Screw length - (L)	Screw head diameter	Screw drive/ recess type (SW)	Sales quantity	Item number
Wing screw S-WD15C 5,5x65	4.0 - 12 mm	10 - 30 mm	5.5 mm	65 mm	10.1 mm	PH#3	300 pc	287079
Wing screw S-WD15C 5,5x85	4.0 - 12 mm	10 - 55 mm	5.5 mm	85 mm	10.1 mm	PH#3	900 pc	287573
Wing screw S-WD15C 5,5x119	4.0 - 12 mm	10 - 85 mm	5.5 mm	119 mm	10.1 mm	PH#3	900 pc	289145