

HILTI

TE 6-A36

Operating instructions

en

Mode d'emploi

fr

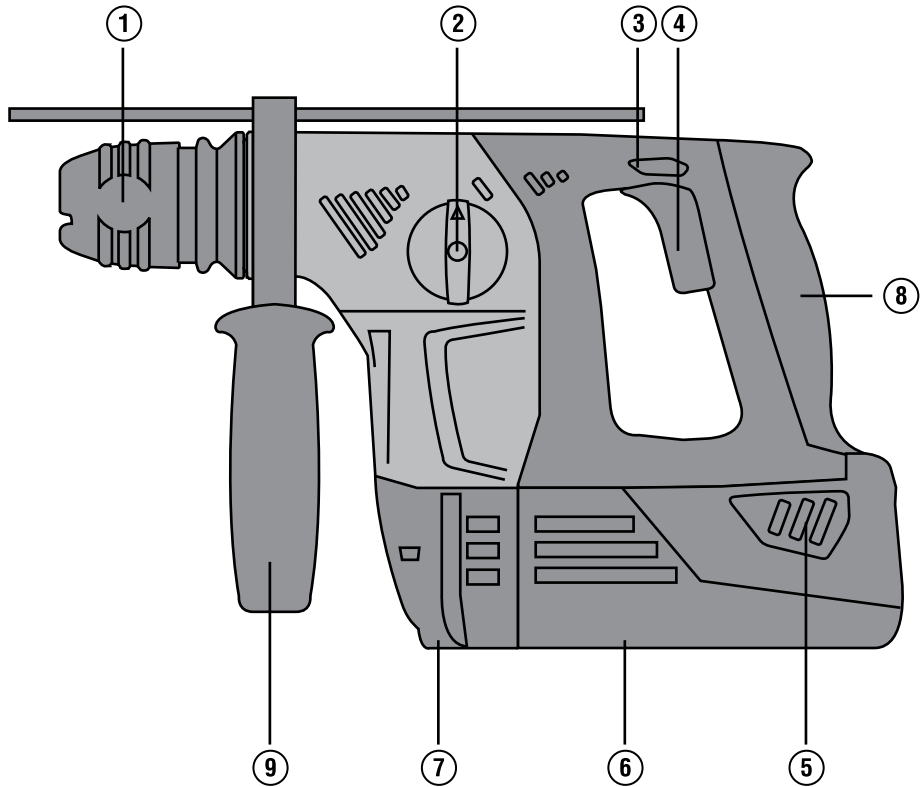
Manual de instrucciones

es

Manual de instruções

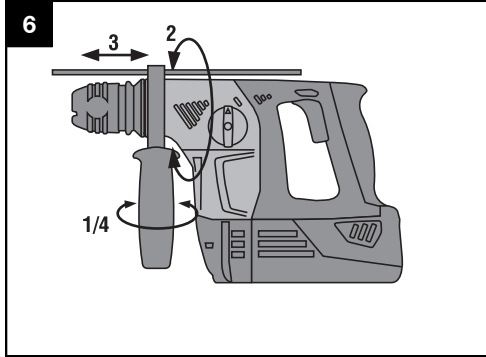
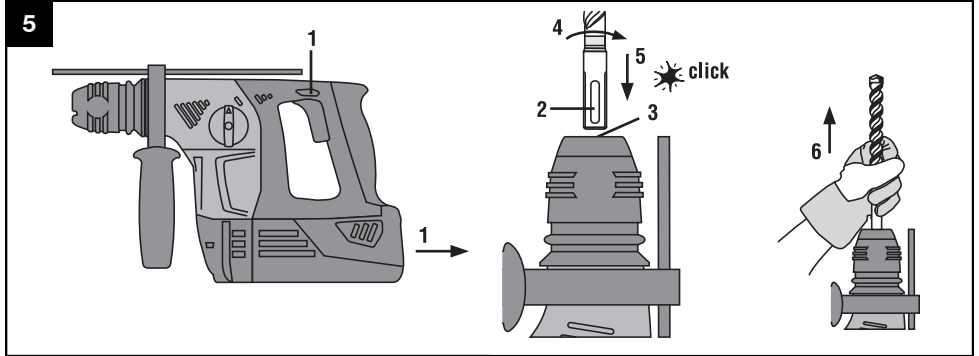
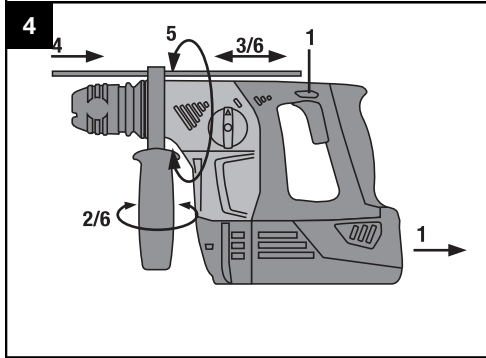
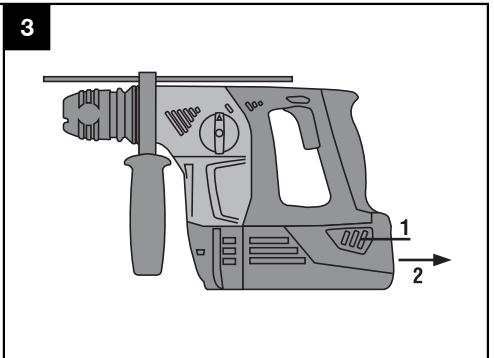
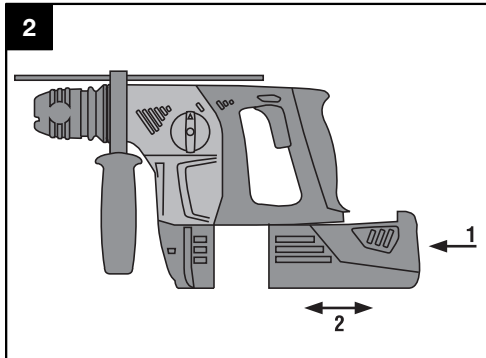
pt



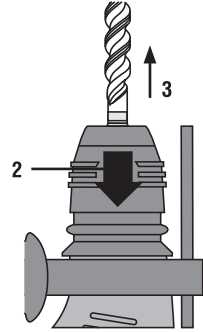
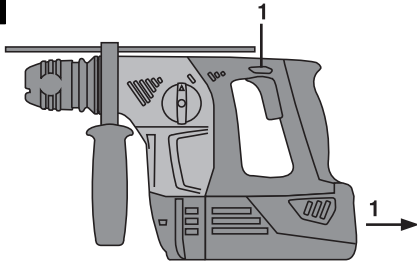


This Product is Certified
Ce produit est homologué
Producto homologado por
Este producto está registrado

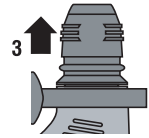
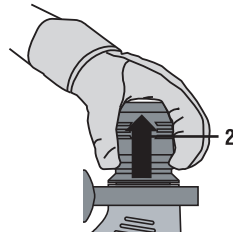
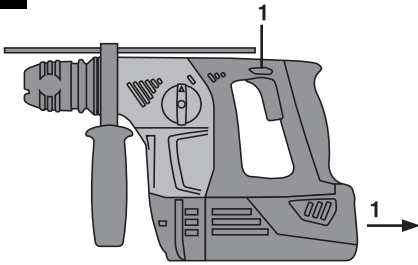




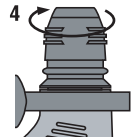
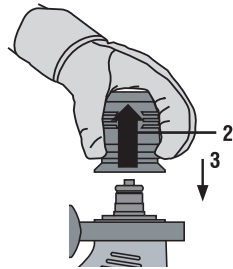
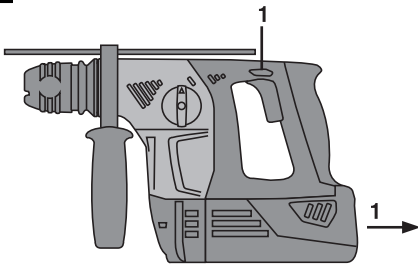
7



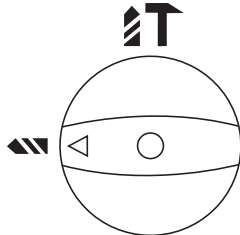
8



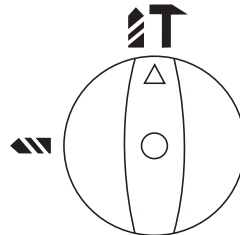
9

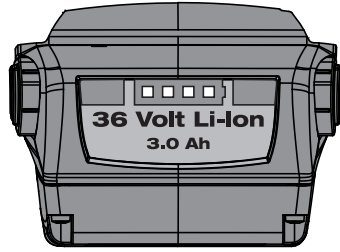
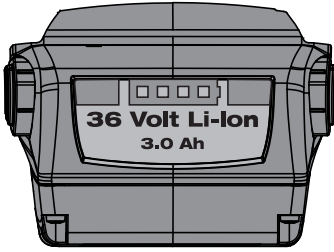


10



11





ORIGINAL OPERATING INSTRUCTIONS

TE 6-A36-AVR cordless rotary hammer

It is essential that the operating instructions are read before the power tool is operated for the first time.

Always keep these operating instructions together with the power tool.

Ensure that the operating instructions are with the power tool when it is given to other persons.

Contents	Page
1 General information	1
2 Description	2
3 Tools	4
4 Technical data	4
5 Safety instructions	4
6 Before use	7
7 Operation	8
8 Care and maintenance	9
9 Troubleshooting	10
10 Disposal	11
11 Manufacturer's warranty - tools	12

1 These numbers refer to the illustrations. You can find the illustrations at the beginning of the operating instructions.

In these operating instructions, the designation "the power tool" always refers to the TE 6-A36-AVR(03) cordless rotary hammer.

Components, operating controls and indicators **1**

- 1 Chuck
- 2 Function selector switch
- 3 Forward / reverse switch
- 4 Control switch
- 5 Battery release button (2 buttons)
- 6 Battery
- 7 Interface for the TE DRS-6-A(01) dust removal module
- 8 Grip
- 9 Side handle with depth gauge

en

1 General information

1.1 Safety notices and their meaning

DANGER

Draws attention to imminent danger that will lead to serious bodily injury or fatality.

WARNING

Draws attention to a potentially dangerous situation that could lead to serious personal injury or fatality.

CAUTION

Draws attention to a potentially dangerous situation that could lead to slight personal injury or damage to the equipment or other property.

NOTE

Draws attention to an instruction or other useful information.

1.2 Explanation of the pictograms and other information

Warning signs



General warning



Warning: electricity



Warning: caustic substances

Obligation signs



Wear eye protection



Wear a hard hat



Wear ear protection



Wear protective gloves



Wear breathing protection



Read the operating instructions before use.

Symbols



Return materials for recycling



Drilling without hammering



Hammer drilling



Volts



Direct current



Rated speed under no load



Revolutions per minute



Revolutions per minute



Diameter



Forward / reverse

Location of identification data on the power tool

The type designation can be found on the type identification plate and the serial number on the side of the motor housing. Make a note of this data in your operating instructions and always refer to it when making an enquiry to your Hilti representative or service department.

Type:

Generation: 03

Serial no.:

2 Description

2.1 Use of the product as directed

The TE 6-A36-AVR(03) is a hand-held, cordless rotary hammer for driving or removing screws, drilling in steel, wood and masonry and hammer drilling in concrete and masonry.

Use this product only with **Hilti** Li-ion batteries of the B 36 series.

Use only **Hilti** chargers of the C436 series with these batteries.

The power tool may be used only in a dry environment.

Do not use the power tool where there is a risk of fire or explosion.

Working on materials hazardous to the health (e.g. asbestos) is not permissible.

The power tool is designed for professional use and may be operated, serviced and maintained only by trained, authorized personnel. This personnel must be informed of any special hazards that may be encountered. The power tool and its ancillary equipment may present hazards when used incorrectly by untrained personnel or when used not as directed.

The working environment may be as follows: construction site, workshop, renovation, conversion or new construction.

Modification of the power tool or tampering with its parts is not permissible.

Do not use the battery as a power source for other unspecified appliances.

To avoid the risk of injury, use only genuine Hilti accessories and insert tools.

Observe the information printed in the operating instructions concerning operation, care and maintenance.
Observe the national health and safety requirements.

2.2 Chuck

TE-C CLICK chuck

2.3 Switches

Speed control switch for smooth starting

Function selector switch

Forward / reverse switch

2.4 Grips

Vibration-absorbing, pivotable side handle with depth gauge

Vibration-absorbing grip

2.5 Protective features

Mechanical slip clutch

2.6 Additional electronic features of the power tool

The power tool is equipped with electronic overload protection. The power tool switches off automatically in the event of overloading. When the control switch is released and then pressed again, the power tool immediately regains full power.

In addition, the temperature of the power tool's electronics is monitored to ensure extra-long life. In the event of the electronics overheating, the drive spindle will not rotate even when the control switch is pressed fully. The power tool can be used again as soon as the temperature is within the permissible range.

2.7 Lubrication

Permanent lubrication (grease)

2.8 Items supplied as standard

- 1 Power tool
- 1 TE-C CLICK chuck
- 1 Side handle with depth gauge
- 1 Operating instructions
- 1 Hilti toolbox (optional)
- 1 Cleaning cloth (optional)
- 1 Grease (optional)

2.9 Li-ion battery charge state

LEDs light constantly	LEDs blink	Charge status C
LED 1, 2, 3, 4	-	$C \geq 75 \%$
LED 1, 2, 3	-	$50 \% \leq C < 75 \%$
LED 1, 2	-	$25 \% \leq C < 50 \%$
LED 1	-	$10 \% \leq C < 25 \%$
-	LED 1	$C < 10 \%$

NOTE

Indication of state of charge is not possible while the power tool is in operation or immediately after operation. If the battery charge state LEDs blink, please refer to the information given in section 9, "Troubleshooting".

3 Tools

Designation	Description
Hammer drill bits	∅ 5...16 mm (³ / ₁₆ " to ⁵ / ₈ ")
Anchor-setting tools	C-type connection end
Quick-release chuck for wood and metal drill bits	With smooth shank, hexagonal shank
Keyed chuck	With smooth shank, hexagonal shank
Wood drill bits	∅ 3...20 mm (¹ / ₈ " to ³ / ₄ ")
Wood drill bits (auger bits)	∅ Max. 14 mm (max. ⁹ / ₁₆ ")
Metal drill bits (for steel)	∅ 3...10 mm (¹ / ₈ " to ³ / ₈ ")

4 Technical data

Right of technical changes reserved.

Power tool	TE 6-A36-AVR(03)
Rated voltage (DC voltage)	36 V
Weight	4.0 kg (8.82 lb)
Dimensions (L x W x H)	344 mm (13.54") x 94 mm (3.7") x 215 mm (8.46")
Drilling speed without hammering	1,010/min
Hammer drilling speed	940/min
Speed under no load in hammer drilling mode	1,040/min
Single impact energy	2.0 J

Other information about the power tool

Chuck	TE-C Click
-------	------------

5 Safety instructions

NOTE

The safety rules in section 5.1 contain all general safety rules for power tools which, in accordance with the applicable standards, must be listed in the operating instructions. Accordingly, some of the rules listed may not be relevant to this tool.

5.1 General power tool safety warnings

a)  **WARNING**

Read all safety warnings and instructions. Failure to follow the warnings and instructions may result in electric shock, fire and/or serious injury. **Save all warnings and instructions for future reference.** The term "power tool" in the warnings refers to your mains-operated (corded) power tool or battery-operated (cordless) power tool.

5.1.1 Work area safety

a) **Keep work area clean and well lit.** Cluttered or dark areas invite accidents.

- b) **Do not operate power tools in explosive atmospheres, such as in the presence of flammable liquids, gases or dust.** Power tools create sparks which may ignite the dust or fumes.
- c) **Keep children and bystanders away while operating a power tool.** Distractions can cause you to lose control.

5.1.2 Electrical safety

- a) **Power tool plugs must match the outlet. Never modify the plug in any way. Do not use any adapter plugs with earthed (grounded) power tools.** Unmodified plugs and matching outlets will reduce risk of electric shock.
- b) **Avoid body contact with earthed or grounded surfaces such as pipes, radiators, ranges and refrigerators.** There is an increased risk of electric shock if your body is earthed or grounded.
- c) **Do not expose power tools to rain or wet conditions.** Water entering a power tool will increase the risk of electric shock.

- d) **Do not abuse the cord. Never use the cord for carrying, pulling or unplugging the power tool. Keep cord away from heat, oil, sharp edges or moving parts.** Damaged or entangled cords increase the risk of electric shock.
- e) **When operating a power tool outdoors, use an extension cord suitable for outdoor use.** Use of a cord suitable for outdoor use reduces the risk of electric shock.
- f) **If operating a power tool in a damp location is unavoidable, use a residual current device (RCD) protected supply.** Use of an RCD reduces the risk of electric shock.

5.1.3 Personal safety

- a) **Stay alert, watch what you are doing and use common sense when operating a power tool. Do not use a power tool while you are tired or under the influence of drugs, alcohol or medication.** A moment of inattention while operating power tools may result in serious personal injury.
- b) **Use personal protective equipment. Always wear eye protection.** Protective equipment such as dust mask, non-skid safety shoes, hard hat, or hearing protection used for appropriate conditions will reduce personal injuries.
- c) **Prevent unintentional starting. Ensure the switch is in the off-position before connecting to power source and/or battery pack, picking up or carrying the tool.** Carrying power tools with your finger on the switch or energising power tools that have the switch on invites accidents.
- d) **Remove any adjusting key or wrench before turning the power tool on.** A wrench or a key left attached to a rotating part of the power tool may result in personal injury.
- e) **Do not overreach. Keep proper footing and balance at all times.** This enables better control of the power tool in unexpected situations.
- f) **Dress properly. Do not wear loose clothing or jewellery. Keep your hair, clothing and gloves away from moving parts.** Loose clothes, jewellery or long hair can be caught in moving parts.
- g) **If devices are provided for the connection of dust extraction and collection facilities, ensure these are connected and properly used.** Use of dust collection can reduce dust-related hazards.

5.1.4 Power tool use and care

- a) **Do not force the power tool. Use the correct power tool for your application.** The correct power tool will do the job better and safer at the rate for which it was designed.
- b) **Do not use the power tool if the switch does not turn it on and off.** Any power tool that cannot be controlled with the switch is dangerous and must be repaired.
- c) **Disconnect the plug from the power source and/or the battery pack from the power tool before making any adjustments, changing accessories, or storing power tools.** Such

preventive safety measures reduce the risk of starting the power tool accidentally.

- d) **Store idle power tools out of the reach of children and do not allow persons unfamiliar with the power tool or these instructions to operate the power tool.** Power tools are dangerous in the hands of untrained users.
- e) **Maintain power tools. Check for misalignment or binding of moving parts, breakage of parts and any other condition that may affect the power tool's operation. If damaged, have the power tool repaired before use.** Many accidents are caused by poorly maintained power tools.
- f) **Keep cutting tools sharp and clean.** Properly maintained cutting tools with sharp cutting edges are less likely to bind and are easier to control.
- g) **Use the power tool, accessories and tool bits etc. in accordance with these instructions, taking into account the working conditions and the work to be performed.** Use of the power tool for operations different from those intended could result in a hazardous situation.

5.1.5 Battery tool use and care

- a) **Recharge only with the charger specified by the manufacturer.** A charger that is suitable for one type of battery pack may create a risk of fire when used with another battery pack.
- b) **Use power tools only with specifically designated battery packs.** Use of any other battery packs may create a risk of injury and fire.
- c) **When battery pack is not in use, keep it away from other metal objects, like paper clips, coins, keys, nails, screws or other small metal objects, that can make a connection from one terminal to another.** Shorting the battery terminals together may cause burns or a fire.
- d) **Under abusive conditions, liquid may be ejected from the battery, avoid contact. If contact accidentally occurs, flush with water. If liquid contacts eyes, additionally seek medical help.** Liquid ejected from the battery may cause irritation or burns.

5.1.6 Service

- a) **Have your power tool serviced by a qualified repair person using only identical replacement parts.** This will ensure that the safety of the power tool is maintained.

5.2 Hammer safety warnings

- a) **Wear ear protectors.** Exposure to noise can cause hearing loss.
- b) **Use auxiliary handles, if supplied with the tool.** Loss of control can cause personal injury.
- c) **Hold power tool by insulated gripping surfaces, when performing an operation where the cutting accessory may contact hidden wiring.** Cutting accessory contacting a "live" wire may make exposed metal parts of the power tool "live" and could give the operator an electric shock.

5.3 Additional safety precautions

5.3.1 Personal safety

- a) **Always hold the power tool securely with both hands on the grips provided. Keep the grips dry, clean and free from oil and grease.**
- b) **Breathing protection must be worn if the power tool is used without a dust removal system for work that creates dust.**
- c) **Improve the blood circulation in your fingers by relaxing your hands and exercising your fingers during breaks between working.**
- d) **Avoid touching rotating parts. Switch the power tool on only after bringing it into position at the workpiece.** Touching rotating parts, especially rotating insert tools, may lead to injury.
- e) **Activate the safety lock (forward / reverse switch in the middle position) before storing or transporting the power tool.**
- f) **When restarting after the electronic overload protection system has switched the tool off, care must be taken to ensure that the power tool is held securely with both hands on the grips provided.**
- g) **Children must be instructed not to play with the power tool.**
- h) **The power tool is not intended for use by children, by debilitated persons or those who have received no instruction or training.**
- i) **WARNING: Some dust created by grinding, sanding, cutting and drilling contains chemicals known to cause cancer, birth defects, infertility or other reproductive harm; or serious and permanent respiratory or other injury.** Some examples of these chemicals are: lead from lead-based paints, crystalline silica from bricks, concrete and other masonry products and natural stone, arsenic and chromium from chemically-treated lumber. Your risk from these exposures varies, depending on how often you do this type of work. **To reduce exposure to these chemicals, the operator and bystanders should work in a well-ventilated area, work with approved safety equipment, such as respiratory protection appropriate for the type of dust generated, and designed to filter out microscopic particles and direct dust away from the face and body. Avoid prolonged contact with dust. Wear protective clothing and wash exposed areas with soap and water.** Allowing dust to get into your mouth, eyes, or to remain on your skin may promote absorption of harmful chemicals.

5.3.2 Power tool use and care

- a) **Secure the workpiece. Use clamps or a vice to secure the workpiece.** The workpiece is thus held more securely than by hand and both hands remain free to operate the power tool.
- b) **Check that the insert tools used are compatible with the chuck system and that they are secured in the chuck correctly.**

5.3.3 Cordless tool use and care

- a) **Ensure the switch is in the off position before inserting battery pack.** Inserting the battery pack into power tools that have the switch on invites accidents.
- b) **Observe the special guidelines applicable to the transport, storage and use of Li-ion batteries.**
- c) **Do not expose batteries to high temperatures and keep them away from fire.** This presents a risk of explosion.
- d) **Do not disassemble, squash or incinerate batteries and do not subject them to temperatures over 80°C.** This presents a risk of fire, explosion or injury through contact with caustic substances.
- e) **Use only batteries of the type approved for use with the applicable power tool.** Use of unapproved batteries or use of the batteries in areas of application for which they are not approved presents a risk of fire and explosion.
- f) **Do not charge or continue to use damaged batteries (e.g. batteries with cracks, broken parts, bent or pushed-in and/or pulled-out contacts).**
- g) **Avoid short circuiting the battery terminals. Before inserting the battery in the tool, make sure that the battery terminals and the terminals in the tool are free from foreign objects.** Short circuiting the battery terminals presents a risk of fire, explosion and chemical burns.
- h) **Avoid ingress of moisture.** Ingress of moisture may cause a short circuit, resulting in burning injuries or fire.
- i) **If the battery is too hot to touch it may be defective. Place the tool in a location where it can be kept under observation, well away from flammable materials, and allow it to cool down. Contact Hilti Service after the battery has cooled down.**

5.3.4 Electrical safety

Before beginning work, check the working area (e.g. using a metal detector) to ensure that no concealed electric cables or gas and water pipes are present. External metal parts of the power tool may become live, for example, when an electric cable is damaged accidentally. This presents a serious risk of electric shock.

5.3.5 Work area safety

- a) **Ensure that the workplace is well lit.**
- b) **Ensure that the workplace is well ventilated.** Exposure to dust at a poorly ventilated workplace may result in damage to the health.
- c) **If the work involves breaking right through, take the appropriate safety measures at the opposite side.** Parts breaking away could fall out and / or fall down and injure other persons.

5.3.6 Personal protective equipment



The user and any other persons in the vicinity must wear ANSI Z87.1-approved eye protection, a hard

hat, ear protection, protective gloves and breathing protection while the machine is in use.

en

6 Before use



6.1 Battery use and care

NOTE

Battery performance drops at low temperatures. Never use the battery until the cells become fully discharged. Change to the second battery as soon as a drop in performance is noticed. Recharge the battery immediately so that it is ready for reuse.

Store the battery in a cool, dry place. Never store the battery where it is exposed to direct sunlight or sources of heat, e.g. on heaters / radiators or behind a motor vehicle windscreen. Batteries that have reached the end of their life must be disposed of safely and correctly to avoid environmental pollution.

6.2 Charging the battery



DANGER

Use only the Hilti batteries and Hilti chargers listed under "Accessories".

6.2.1 Charging a new battery for the first time

Charge the battery fully before using it for the first time.

6.2.2 Charging a previously used battery

Ensure that the outer surfaces of the battery are clean and dry before inserting it in the corresponding charger. For information about charging, read the operating instructions for the battery charger and section 2.10 "Li-ion battery charge status" of these operating instructions. Li-ion batteries are ready for use at any time, even when only partly charged. Charging progress is indicated by the LED display (see charger operating instructions).

6.3 Fitting the battery 2

CAUTION

Before fitting the battery, check that the power tool is switched off and that the transport lock is engaged (forward/reverse switch in the middle position). Use only the Hilti batteries intended for use with this power tool, i.e. B 36/3.0 Li-ion, B 36/2.4 Li-ion, B 36/2.6 Li-ion, B 36/3.3 Li-ion or B 36/3.9 Li-ion.

1. Push the battery into the power tool from the rear until it is heard to engage with a double click.
2. **CAUTION A falling battery may present a risk of injury to yourself and others.**
Check that the battery is seated securely in the power tool.

6.4 Removing the battery 3

1. Press both battery release buttons.
2. Pull the battery out of the power tool toward the rear.

6.5 Transport and storage of batteries

Pull the battery out of the locked position (working position) and move it into the first latching position (transport position).

Observe national and international transport regulations when shipping batteries (transportation by road, rail, sea or air).

6.6 Fitting the side handle 4

1. Set the forward / reverse switch to the middle position or remove the battery from the power tool.
2. Release the side handle clamping band by turning the handle counterclockwise.
3. Remove the depth gauge from the side handle in order to avoid injury.
4. Slide the side handle clamping band over the chuck and onto the cylindrical section at the front end of the power tool.
5. Pivot the side handle into the desired position.

- Fit the depth gauge and secure the side handle in the desired position by turning the grip firmly until tight.

en

7 Operation



CAUTION

In the event of the drill bit sticking, the power tool will pivot about its own axis. **Always use the power tool with the side handle fitted and hold it securely with both hands so that the resulting opposing force causes the slip clutch to release in the event of the drill bit sticking. Use clamps or a vice to hold the workpiece securely.**

7.1 Preparing for use

7.1.1 Fitting the insert tool 5

CAUTION

Wear protective gloves when changing the insert tool.

- Set the forward / reverse switch to the middle position or remove the battery from the power tool.
- Check that the connection end of the insert tool is clean and lightly greased. Clean it and grease it if necessary.
- Check that the sealing lip of the dust shield is clean and in good condition. Clean the dust shield if necessary or replace it if the sealing lip is found to be damaged (please refer to the "Care and maintenance" section).
- Push the insert tool into the chuck and rotate it while applying slight pressure until it engages in the guide grooves.
- Push the insert tool further into the chuck until it is heard to engage.
- Check that the insert tool has engaged correctly by pulling it.

7.1.2 Adjusting the depth gauge / side handle 6

- Release the side handle clamping band by turning the handle counterclockwise.
- Pivot the side handle into the desired position.
- Adjust the depth gauge to the desired drilling depth.
- Tighten the side handle securely by turning the grip section. This also clamps the depth gauge in position.

7.1.3 Removing the insert tool 7

CAUTION

Wear protective gloves when changing insert tools as the insert tool will get hot during use.

- Set the forward / reverse switch to the middle position or remove the battery from the power tool.

- Open the chuck by pulling back the chuck release sleeve.
- Pull the insert tool out of the chuck.

7.1.4 Removing the chuck 8

CAUTION

Remove the depth gauge from the side handle and the insert tool from the chuck in order to avoid injury.

- Set the forward / reverse switch to the middle position or remove the battery from the power tool.
- Pull the chuck sleeve forward and hold it securely.
- Remove the chuck by pulling it away from the power tool.

7.1.5 Fitting the chuck 9

CAUTION

Remove the depth gauge from the side handle and the insert tool from the chuck in order to avoid injury.

- Set the forward / reverse switch to the middle position or remove the battery from the power tool.
- Grip the chuck sleeve, pull it forward and hold it securely in this position.
- Slide the chuck onto the guide tube from the front and then release the sleeve.
- Rotate the chuck until it is heard to engage.

7.2 Operation



CAUTION

Working on the material may cause it to splinter. **Wear eye protection and protective gloves. Wear breathing protection if no dust removal system is used.** Splintering material presents a risk of injury to the eyes and body.

CAUTION

The work generates noise. **Wear ear protectors.** Exposure to noise can cause hearing loss.

7.2.1 Working at low temperatures

NOTE

The hammering mechanism works only when the power tool has reached a minimum operating temperature.

Bring the drill bit briefly into contact with the base material while allowing the power tool to run under no load until the minimum operating temperature is reached. If necessary,

repeat this procedure until the hammering mechanism begins to operate.

7.2.2 Forward / reverse

NOTE

The forward / reverse switch is used to select the direction of rotation of the drive spindle. An interlock prevents switching while the motor is running. The control switch is locked when the forward / reverse switch is in the middle position.

For forward rotation, push the forward / reverse switch on the side of the power tool toward the chuck in the direction of the arrow.

For reverse rotation, push the forward / reverse switch on the side of the power tool toward the grip in the direction of the arrow.

Bring the forward / reverse switch into the desired position.

7.2.3 Drilling without hammering

1. Set the forward / reverse switch to the “forward” position before beginning drilling.
2. Turn the function selector switch until it engages in the “Drilling without hammering” position. Do not operate the function selector switch while the motor is running.
3. Bring the side handle into the desired position and check that it is fitted correctly and secured.
4. Fit the battery.
5. Position the power tool and drill bit at the point where the hole is to be drilled.
6. Press the control switch slowly (drill at a low speed until the drill bit centers itself in the hole).
7. Press the control switch fully to continue drilling with full power.
8. Adjust the pressure applied to the power tool according to the material you are working on. This will ensure the optimum rate of drilling progress.

7.2.4 Hammer drilling

1. Set the forward / reverse switch to the “forward” position before beginning drilling.
2. Turn the function selector switch until it engages in the “Hammer drilling” position. Do not operate the function selector switch while the motor is running.
3. Bring the side handle into the desired position and check that it is fitted correctly and secured.
4. Fit the battery.
5. Position the power tool and drill bit at the point where the hole is to be drilled.
6. Press the control switch slowly (drill at a low speed until the drill bit centers itself in the hole).
7. Press the control switch fully to continue drilling with full power.
8. Adjust the pressure applied to the power tool according to the material you are working on. This will ensure the optimum rate of drilling progress.
9. Reduce drilling speed shortly before breaking through in order to avoid spalling.

7.2.5 Reading the charge state LED display on Li-ion batteries

NOTE

The charge state cannot be indicated while the power tool is in operation. Indication is given (LED 1 blinks) when the battery is fully discharged or when it is too hot. The battery must then be inserted in the charger. If all 4 LEDs blink, this indicates that the power tool has been overloaded or has overheated.

The Li-ion battery features a state of charge LED display. The charge state is indicated by the LEDs on the battery during charging (please refer to the operating instructions for the charger). When the battery is not in use, pressing one of the battery release buttons or inserting the battery into the power tool causes the battery charge state to be displayed by the four LEDs for three seconds.

See section: 2.9 Li-ion battery charge state

8 Care and maintenance

CAUTION

Before beginning cleaning, remove the battery in order to prevent the electric tool starting unintentionally.

8.1 Care of insert tools

Check that the connection end of the insert tool is clean and lightly greased. Clean it and grease it if necessary.

8.2 Care of the power tool

CAUTION

Keep the power tool, especially its grip surfaces, clean and free from oil and grease. Do not use cleaning agents which contain silicone.

Never operate the power tool when the ventilation slots are blocked. Clean the ventilation slots carefully using a dry brush. Do not permit foreign objects to enter the

interior of the power tool. Clean the outside of the power tool at regular intervals with a slightly damp cloth. Do not use a spray, steam pressure cleaning equipment or running water for cleaning. This may negatively affect the electrical safety of the power tool.

8.3 Cleaning or replacing the dust shield

Clean the dust shield on the chuck with a dry, clean cloth at regular intervals. Clean the sealing lip by wiping it carefully and then grease it again lightly with Hilti grease. It is essential that the dust shield is replaced if the sealing lip is found to be damaged. Push the tip of a screwdriver under the edge of the dust shield and prise it out toward the front. Clean the area of the chuck in contact with dust shield and then fit a new dust shield. Press it in firmly until it engages.

8.4 Care of the Li-ion battery

Avoid ingress of moisture.

Charge the battery fully before using it for the first time. In order to achieve maximum battery life, stop drawing power from the battery as soon as a significant drop in battery performance is noticed.

NOTE

If use continues, further battery discharge will be stopped automatically before the battery cells suffer damage.

Charge the batteries with the Hilti chargers approved for use with Li-ion batteries.

NOTE

- A conditioning charge (as is required with NiCd or NiMH batteries) is not necessary.
- Interruption of the charging procedure has no negative effect on battery life.
- Charging can be started at any time with no negative effect on battery life. There is no memory effect (as with NiCd or NiMH batteries).
- For best results, batteries should be stored fully charged in a cool dry place. Storing the battery in places subject to high ambient temperatures (e.g. at

a window) has an adverse effect on battery life and increases the rate of self-discharge.

- If the battery no longer reaches full charge, it may have lost capacity due to aging or overstraining. It is still possible to work with this battery. You should, however, soon replace the battery with a new one.

8.5 Maintenance

WARNING

Repairs to the electrical section of the power tool may be carried out only by trained electrical specialists.

Check all external parts of the power tool for damage at regular intervals and check that all controls operate faultlessly. Do not operate the power tool if parts are damaged or when the controls do not function faultlessly. If necessary, the power tool should be repaired by Hilti Service.

8.6 Checking the power tool after care and maintenance

After carrying out care and maintenance work on the power tool, check that all protective and safety devices are fitted and that they function faultlessly.

9 Troubleshooting

Fault	Possible cause	Remedy
The power tool doesn't run.	The battery is discharged or is not pushed all the way in.	The battery must be heard to engage with a double click or, respectively, needs to be charged.
	Electrical fault.	Remove the battery from the tool and contact Hilti Service.
	The battery is too hot or too cold.	Bring the battery to the recommended working temperature.
The power tool doesn't run and 1 LED blinks.	The battery is discharged.	Change the battery and charge the empty battery.
	The battery is too hot or too cold.	Bring the battery to the recommended working temperature.
The tool doesn't work and all 4 LEDs blink.	The power tool has been overloaded.	Release the control switch and press it again.
No hammering action.	The tool is too cold.	Bring the power tool to the operating temperature by pressing the insert tool lightly against the work surface and allowing the power tool to run briefly under no load.
	The function selector switch is set to "Drilling without hammering".	Set the function selector switch to "Hammer drilling".
	The forward/reverse switch is set to reverse rotation.	Set the forward/reverse switch to forward rotation.
The control switch can't be pressed, i.e. the switch is locked.	The forward / reverse switch is in the middle position (transport lock engaged).	Push the forward / reverse switch to the left or right.
The drive spindle doesn't rotate.	The permissible operating temperature of the power tool's electronics has been exceeded.	Allow the power tool to cool down.

Fault	Possible cause	Remedy
The drive spindle doesn't rotate.	The maximum permissible battery operating temperature has been exceeded.	Bring the battery to the recommended operating temperature.
	The battery is discharged.	Change the battery and charge the empty battery.
The power tool switches itself off automatically.	The overload cut-out has been activated.	Release the control switch, reduce the load on the power tool and then press the switch again.
The battery runs down more quickly than usual.	Very low ambient temperature.	Allow the battery to warm up slowly to room temperature.
The battery doesn't engage with an audible double click.	The retaining lugs on the battery are dirty.	Clean the retaining lugs and push the battery in until it engages. Contact Hilti Service if the problem persists.
The power tool or the battery gets very hot.	Electrical fault.	Switch the power tool off immediately, remove the battery from the tool and allow it to cool down while keeping an eye on it, contact Hilti Service.
	The power tool has been overloaded (application limits exceeded).	Use the right power tool for the job (don't use a low-powered tool for heavy work).
The insert tool can't be released.	The chuck is not pulled back fully.	Pull the chuck back as far as it will go and remove the insert tool.
The tool makes no progress.	The forward/reverse switch is set to reverse rotation.	Set the forward/reverse switch to forward rotation.

10 Disposal

CAUTION

Improper disposal of the equipment may have serious consequences: the burning of plastic components generates toxic fumes which may present a health hazard. Batteries may explode if damaged or exposed to very high temperatures, causing poisoning, burns, acid burns or environmental pollution. Careless disposal may permit unauthorized and improper use of the equipment. This may result in serious personal injury, injury to third parties and pollution of the environment.

CAUTION

Dispose of defective batteries right away. Keep them out of reach of children. Do not disassemble or incinerate the batteries.

CAUTION

Batteries that have reached the end of their life must be disposed of in accordance with national regulations or returned to Hilti.



Most of the materials from which Hilti power tools or appliances are manufactured can be recycled. The materials must be correctly separated before they can be recycled. In many countries, Hilti has already made arrangements for taking back your old power tools or appliances for recycling. Please ask your Hilti customer service department or Hilti representative for further information.

11 Manufacturer's warranty - tools

Please contact your local Hilti representative if you have questions about the warranty conditions.

en

TE 6-A36-AVR Marteau perforateur sur accu

Avant de mettre l'appareil en marche, lire impérativement son mode d'emploi et bien respecter les consignes.

Le présent mode d'emploi doit toujours accompagner l'appareil.

Ne pas prêter ou céder l'appareil à un autre utilisateur sans lui fournir le mode d'emploi.

Sommaire	Page
1 Consignes générales	13
2 Description	14
3 Outils	16
4 Caractéristiques techniques	16
5 Consignes de sécurité	16
6 Mise en service	19
7 Utilisation	20
8 Nettoyage et entretien	22
9 Guide de dépannage	23
10 Recyclage	24
11 Garantie constructeur des appareils	24

❶ Les numéros renvoient aux illustrations. Les illustrations se trouvent au début de la notice d'utilisation. Dans le présent mode d'emploi, « l'appareil » désigne toujours le marteau perforateur sur accu TE 6-A36-AVR(03).

Pièces constitutives de l'appareil, éléments de commande et d'affichage ❶

- ❶ Porte-outil
- ❷ Sélecteur de fonction
- ❸ Inverseur du sens de rotation droite / gauche
- ❹ Variateur électronique de vitesse
- ❺ Bouton de déverrouillage du bloc-accu (2 éléments)
- ❻ Bloc-accu
- ❼ Raccordement pour module d'aspiration de poussières TE DRS-6-A(01)
- ❽ Poignée
- ❾ Poignée latérale avec butée de profondeur

1 Consignes générales

1.1 Termes signalant un danger et leur signification

DANGER

Pour un danger imminent qui peut entraîner de graves blessures corporelles ou la mort.

AVERTISSEMENT

Pour attirer l'attention sur une situation pouvant présenter des dangers susceptibles d'entraîner des blessures corporelles graves ou la mort.

ATTENTION

Pour attirer l'attention sur une situation pouvant présenter des dangers susceptibles d'entraîner des blessures corporelles légères ou des dégâts matériels.

REMARQUE

Pour des conseils d'utilisation et autres informations utiles.

1.2 Explication des pictogrammes et autres symboles d'avertissement

Symboles d'avertissement



Avertissement danger général



Avertissement tension électrique dangereuse



Avertissement matières corrosives

Symboles d'obligation



Porter des lunettes de protection



Porter un casque de protection



Porter un casque antibruit



Porter des gants de protection



Porter un masque respiratoire léger



Lire le mode d'emploi avant d'utiliser l'appareil

Symboles



Recyclage des matériaux



Perçage sans percussion



Perçage avec percussion



Volt



Courant continu



Vitesse nominale à vide



Tours par minute



Tours par minute



Diamètre



Sens de rotation droite/gauche

Emplacement des détails d'identification sur l'appareil

La désignation du modèle figure sur la plaque signalétique et le numéro de série sur le côté du carter moteur. Inscrire ces renseignements dans le mode d'emploi et toujours s'y référer pour communiquer avec notre représentant ou agence Hilti.

Type :

Génération : 03

N° de série :

2 Description

2.1 Utilisation conforme à l'usage prévu

Le TE 6-A36-AVR(03) est un marteau perforateur sur accu à guidage manuel servant à serrer et desserrer de la visserie, percer dans de l'acier, du bois ou de la maçonnerie et à percer avec percussion dans du béton et de la maçonnerie.

Utiliser ce produit uniquement pour les accus Li-Ion de la série de type B 36 **Hilti**

Utiliser ce produit uniquement pour les chargeurs **Hilti** de la série C436.

L'appareil doit uniquement être utilisé dans un environnement sec.

Ne pas utiliser l'appareil dans des endroits présentant un danger d'incendie ou d'explosion.

Ne pas travailler sur des matériaux susceptibles de nuire à la santé (par ex. amiante).

L'appareil est destiné aux utilisateurs professionnels et ne doit être utilisé, entretenu et réparé que par un personnel agréé, formé à cet effet. Ce personnel doit être au courant des dangers inhérents à l'utilisation de l'appareil. L'appareil et ses accessoires peuvent s'avérer dangereux s'ils sont utilisés de manière incorrecte par un personnel non qualifié ou de manière non conforme à l'usage prévu.

L'environnement de travail peut être : chantiers, ateliers, sites de rénovation, sites de constructions nouvelles ou de constructions en cours de réaménagement.

Toute manipulation ou modification de l'appareil est interdite.

Ne pas utiliser les accus comme source d'énergie pour d'autres appareils non spécifiés.

Pour éviter tout risque de blessure, utiliser uniquement les accessoires et outils Hilti d'origine.

Bien respecter les consignes concernant l'utilisation, le nettoyage et l'entretien de l'appareil qui figurent dans le présent mode d'emploi.

Observer les exigences en matière de sécurité nationales en vigueur.

2.2 Porte-outil

Mandrin TE-C CLICK

2.3 Commande

Variateur électronique de vitesse réglable pour un perçage en douceur

Sélecteur de fonction

Inverseur du sens de rotation droite / gauche

2.4 Poignées

Poignée latérale orientable anti-vibration avec butée de profondeur

Poignée anti-vibration

2.5 Équipements de protection

Accouplement à glissement mécanique

2.6 Fonctions supplémentaires du système électronique de l'appareil

L'appareil est équipé d'une protection électronique contre les surcharges. En cas de surcharge, l'appareil est automatiquement arrêté. Si le variateur électronique de vitesse est relâché puis à nouveau enfoncé, l'appareil retrouve immédiatement toute sa puissance.

De plus, la température du système électronique de l'appareil est surveillée pour prolonger la durée de vie de l'appareil. Bien que l'interrupteur de commande soit complètement enfoncé, la broche ne tourne pas du fait d'un échauffement du système électronique. Sitôt que la température est à nouveau dans la plage admissible, l'appareil peut à nouveau être utilisé.

2.7 Lubrification

Graissage permanent

2.8 L'équipement standard livré comprend

- 1 Appareil
- 1 Mandrin TE-C CLICK
- 1 Poignée latérale avec butée de profondeur
- 1 Mode d'emploi
- 1 Coffret Hilti (en option)
- 1 Chiffon (en option)
- 1 Graisse (en option)

2.9 État de charge du bloc-accu Li-ion

DEL allumée en continu	DEL clignotante	État de charge C
DEL 1, 2, 3, 4	-	$C \geq 75 \%$
DEL 1, 2, 3	-	$50 \% \leq C < 75 \%$
DEL 1, 2	-	$25 \% \leq C < 50 \%$
DEL 1	-	$10 \% \leq C < 25 \%$
-	DEL 1	$C < 10 \%$

REMARQUE

Il n'est pas possible d'interroger l'indicateur de l'état de charge pendant et immédiatement après les travaux. Lorsque les DEL de l'indicateur de l'état de charge du bloc-accu clignotent, se reporter au chapitre 9. Dépannage.

3 Outils

Désignation	Description
Mèche de forage	∅ 5...16 mm (⁹ / ₁₆ " à ⁵ / ₈ ")
Outils de pose	emmanchement C
Mandrin auto-serrant pour les mèches à bois et à métal	avec queue cylindrique, à six pans
Mandrin de perçage à couronne dentée	avec queue cylindrique, à six pans
Mèche à bois	∅ 3...20 mm (¹ / ₈ " à ³ / ₄ ")
Mèche à bois (à simple spirale)	∅ Max. 14 mm (max. ⁹ / ₁₆ ")
Mèche à métaux (en acier)	∅ 3...10 mm (¹ / ₈ " à ³ / ₈ ")

4 Caractéristiques techniques

Sous réserve de modifications techniques !

Appareil	TE 6-A36-AVR(03)
Tension de référence (tension continue)	36 V
Poids	4,0 kg (8,82 lb)
Dimensions (L x l x h)	344 mm (13,54 ") x 94 mm (3,7 ") x 215 mm (8,46 ")
Vitesse de rotation lors du perçage sans percussion	1.010/min
Vitesse de rotation lors du perçage avec percussion	940/min
Vitesse de rotation à vide en mode perçage avec percussion	1.040/min
Énergie libérée par coup	2,0 J

Informations concernant les appareils et les applications

Porte-outil	TE-C CLICK
-------------	------------

5 Consignes de sécurité

REMARQUE

Les indications de sécurité du chapitre 5.1 contiennent toutes les indications générales de sécurité pour les appareils électriques qui, selon les normes applicables, doivent être spécifiées dans le présent mode d'emploi. Par conséquent, il est possible que certaines indications ne se rapportent pas à cet appareil.

5.1 Indications générales de sécurité pour les appareils électriques

a) AVERTISSEMENT

Lire et comprendre toutes les consignes de sécurité et instructions. Le non-respect des consignes de sécurité et instructions indiquées ci-après peut entraîner un choc électrique, un incendie et / ou de

graves blessures sur les personnes. **Les consignes de sécurité et instructions doivent être intégralement conservées pour les utilisations futures.** La notion d'« outil électroportatif » mentionnée dans les consignes de sécurité se rapporte à des outils électriques raccordés au secteur (avec câble de raccordement) et à des outils électriques à batterie (sans câble de raccordement).

5.1.1 Sécurité sur le lieu de travail

- Maintenez l'endroit de travail propre et bien éclairé.** Un lieu de travail en désordre ou mal éclairé augmente le risque d'accidents.
- N'utilisez pas l'outil électroportatif dans un environnement présentant des risques d'explosion et où se trouvent des liquides, des gaz ou poussières**

inflammables. Les outils électroportatifs génèrent des étincelles risquant d'enflammer les poussières ou les vapeurs.

- c) **Tenez les enfants et autres personnes éloignés durant l'utilisation de l'outil électroportatif.** En cas d'inattention vous risquez de perdre le contrôle de l'appareil.

5.1.2 Sécurité relative au système électrique

- a) **La fiche de secteur de l'outil électroportatif doit être appropriée à la prise de courant. Ne modifiez en aucun cas la fiche. N'utilisez pas de fiches d'adaptateur avec des outils électroportatifs avec mise à la terre.** Les fiches non modifiées et les prises de courant appropriées réduisent le risque de choc électrique.
- b) **Éviter le contact physique avec des surfaces mises à la terre tels que tuyaux, radiateurs, cuisinières et réfrigérateurs.** Il y a un risque élevé de choc électrique au cas où votre corps serait relié à la terre.
- c) **N'exposez pas les outils électroportatifs à la pluie ou à l'humidité.** La pénétration d'eau dans un outil électroportatif augmente le risque d'un choc électrique.
- d) **N'utilisez pas le câble à d'autres fins que celles prévues, n'utilisez pas le câble pour porter l'outil électroportatif ou pour l'accrocher ou encore pour le débrancher de la prise de courant. Maintenez le câble éloigné des sources de chaleur, des parties grasses, des bords tranchants ou des parties de l'appareil en rotation.** Un câble endommagé ou torsadé augmente le risque d'un choc électrique.
- e) **Au cas où vous utiliseriez l'outil électroportatif à l'extérieur, utilisez uniquement une rallonge homologuée pour les applications extérieures.** L'utilisation d'une rallonge électrique homologuée pour les applications extérieures réduit le risque d'un choc électrique.
- f) **Si l'utilisation de l'outil électroportatif dans un environnement humide ne peut pas être évitée, un interrupteur de protection contre les courants de court-circuit doit être utilisé.** L'utilisation d'un tel interrupteur de protection réduit le risque d'une décharge électrique.

5.1.3 Sécurité des personnes

- a) **Restez vigilant, surveillez ce que vous faites. Faites preuve de bon sens en utilisant l'outil électroportatif. N'utilisez pas l'outil électroportatif lorsque vous êtes fatigué ou après avoir consommé de l'alcool, des drogues ou avoir pris des médicaments.** Un moment d'inattention lors de l'utilisation de l'outil électroportatif peut entraîner de graves blessures sur les personnes.
- b) **Portez des équipements de protection. Portez toujours des lunettes de protection.** Le fait de porter des équipements de protection personnels tels que masque antipoussière, chaussures de sécurité antidérapantes, casque de protection ou protection

acoustique suivant le travail à effectuer, réduit le risque de blessures.

- c) **Éviter une mise en service par mégarde. S'assurer que l'outil électroportatif est arrêté avant de le brancher à la source de courant et/ou au bloc-accu, de le prendre ou de le porter.** Le fait de porter l'outil électroportatif avec le doigt sur l'interrupteur ou de brancher l'appareil sur la source de courant lorsque l'interrupteur est en position de fonctionnement, peut entraîner des accidents.
- d) **Enlevez tout outil de réglage ou toute clé avant de mettre l'outil électroportatif en fonctionnement.** Une clé ou un outil se trouvant sur une partie en rotation peut causer des blessures.
- e) **Adoptez une bonne posture. Veillez à garder toujours une position stable et équilibrée.** Ceci vous permet de mieux contrôler l'outil électroportatif dans des situations inattendues.
- f) **Portez des vêtements appropriés. Ne portez pas de vêtements amples ni de bijoux. Maintenez cheveux, vêtements et gants éloignés des parties de l'appareil en rotation.** Des vêtements amples, des bijoux ou des cheveux longs peuvent être happés par des pièces en mouvement.
- g) **Si des dispositifs servant à aspirer ou à recueillir les poussières doivent être utilisés, vérifiez que ceux-ci sont effectivement raccordés et qu'ils sont correctement utilisés.** L'utilisation d'un dispositif d'aspiration peut réduire les risques dus aux poussières.

5.1.4 Utilisation et maniement de l'outil électroportatif

- a) **Ne surchargez pas l'appareil. Utilisez l'outil électroportatif approprié au travail à effectuer.** Avec l'outil électroportatif approprié, vous travaillerez mieux et avec plus de sécurité à la vitesse pour laquelle il est prévu.
- b) **N'utilisez pas un outil électroportatif dont l'interrupteur est défectueux.** Un outil électroportatif qui ne peut plus être mis en ou hors fonctionnement est dangereux et doit être réparé.
- c) **Retirez la fiche de la prise de courant et/ou le bloc-accu avant d'effectuer des réglages sur l'appareil, de changer les accessoires, ou de ranger l'appareil.** Cette mesure de précaution empêche une mise en fonctionnement par mégarde de l'outil électroportatif.
- d) **Gardez les outils électroportatifs non utilisés hors de portée des enfants. Ne permettez pas l'utilisation de l'appareil à des personnes qui ne se sont pas familiarisées avec celui-ci ou qui n'ont pas lu ces instructions.** Les outils électroportatifs sont dangereux lorsqu'ils sont utilisés par des personnes non initiées.
- e) **Prendre soin des outils électroportatifs. Vérifier que les parties en mouvement fonctionnent correctement et qu'elles ne sont pas coincées, et contrôler si des parties sont cassées ou endommagées de sorte que le bon fonctionnement de l'outil électroportatif s'en trouve entravé. Faire**

réparer les parties endommagées avant d'utiliser l'appareil. De nombreux accidents sont dus à des outils électroportatifs mal entretenus.

- f) **Maintenez les outils de coupe aiguisés et propres.** Des outils soigneusement entretenus avec des bords tranchants bien aiguisés se coincent moins souvent et peuvent être guidés plus facilement.
- g) **L'outil électroportatif, les accessoires, les outils à monter, etc. doivent être utilisés conformément à ces instructions. Tenez compte également des conditions de travail et du travail à effectuer.** L'utilisation des outils électroportatifs à d'autres fins que celles prévues peut entraîner des situations dangereuses.

5.1.5 Utilisation et maniement de l'outil sur accu

- a) **Ne chargez les accumulateurs que dans des chargeurs recommandés par le fabricant.** Si un chargeur approprié à un type spécifique d'accumulateurs est utilisé avec des blocs-accus non recommandés pour celui-ci, il y a risque d'incendie.
- b) **Dans les outils électroportatifs, n'utilisez que les accumulateurs spécialement prévus pour ceux-ci.** L'utilisation de tout autre accumulateur peut entraîner des blessures et des risques d'incendie.
- c) **Tenez l'accumulateur non utilisé à l'écart de tous objets métalliques tels qu'agrafes, pièces de monnaie, clés, clous, vis ou autres, étant donné qu'un pontage peut provoquer un court-circuit.** Un court-circuit entre les contacts d'accu peut provoquer des brûlures ou un incendie.
- d) **En cas d'utilisation abusive, du liquide peut sortir de l'accumulateur. Éviter tout contact avec ce liquide. En cas de contact par mégarde, rincez soigneusement avec de l'eau. Au cas où le liquide rentrerait dans les yeux, consultez en plus un médecin.** Le liquide qui sort de l'accumulateur peut entraîner des irritations de la peau ou causer des brûlures.

5.1.6 Service

- a) **Ne faire réparer l'outil électroportatif que par un personnel qualifié et seulement avec des pièces de rechange d'origine.** Ceci permet d'assurer la sécurité de l'outil électroportatif.

5.2 Indications générales de sécurité applicables aux burineurs

- a) **Porter un casque antibruit.** Le bruit peut entraîner des pertes auditives.
- b) **Utiliser la poignée supplémentaire livrée avec l'appareil.** La perte de contrôle peut entraîner des blessures.
- c) **Tenir l'appareil par les surfaces isolées des poignées lors des travaux pendant lesquels l'outil utilisé risque de toucher des câbles électriques cachés.** Le contact avec un câble sous tension risque de mettre les parties métalliques de l'appareil sous tension et de provoquer une décharge électrique.

5.3 Consignes de sécurité supplémentaires

5.3.1 Sécurité des personnes

- a) **Toujours tenir l'appareil des deux mains par les poignées prévues à cet effet. Veiller à ce que les poignées soient toujours sèches, propres et exemptes de traces de graisse et d'huile.**
- b) **Si l'appareil fonctionne sans dispositif d'aspiration de la poussière et si le travail effectué dégage de la poussière, porter un masque respiratoire léger.**
- c) **Faire régulièrement des pauses et des exercices de relaxation et de massage des doigts pour favoriser l'irrigation sanguine dans les doigts.**
- d) **Éviter de toucher des pièces en rotation. Brancher l'appareil uniquement dans l'espace de travail.** Le fait de toucher des pièces en rotation, en particulier des outils en rotation, risque d'entraîner des blessures.
- e) **Activer le blocage (inverseur D/G sur la position médiane) pour le stockage et le transport de l'appareil.**
- f) **Lors du redémarrage après un arrêt de l'appareil par une protection électronique contre les surcharges, il convient de s'assurer que l'appareil est tenu des deux mains par les poignées prévues à cet effet.**
- g) **Avertir les enfants et veiller à ce qu'ils ne jouent pas avec l'appareil.**
- h) **L'appareil n'est pas destiné à être utilisé par des enfants ou des personnes affaiblies sans encadrement.**
- i) **AVERTISSEMENT : Certains types de poussières générées par ébarbage, meulage, tronçonnage et perçage contiennent des substances chimiques, connues pour être cancérogènes, qui risquent d'entraîner des malformations congénitales, une infertilité, des lésions permanentes des voies respiratoires ou d'autres natures.** Quelques-unes de ces substances chimiques sont le plomb contenu dans les peintures au plomb, le quartz cristallin provenant des briques, du béton, de la maçonnerie ou de pierres naturelles, ou encore l'arsenic ou le chrome provenant de bois de construction traités chimiquement. Les risques pour l'utilisateur varient en fonction de la fréquence de ces travaux. **Afin de réduire la charge de ces substances chimiques, l'utilisateur et les tierces personnes doivent travailler dans une pièce bien ventilée et utiliser les équipements de sécurité homologués.** Porter un masque respiratoire adapté au type de poussière déterminé, qui filtre les particules microscopiques et permet d'éviter tout contact de la poussière avec le visage ou le corps. Éviter tout contact prolongé avec la poussière. Porter des vêtements de protection et laver à l'eau et au savon la portion de peau qui a été en contact avec la poussière. L'absorption de poussières par la bouche ou les yeux, ou le contact prolongé de poussières avec la peau, risque de favoriser l'absorption de substances chimiques nocives pour la santé.

5.3.2 Utilisation et emploi soigneux de l'outil électroportatif

- a) **Bien fixer la pièce. Pour ce faire, utiliser un dispositif de serrage ou un étau, pour maintenir la pièce travaillée en place.** Elle sera ainsi mieux tenue qu'à la main, et les deux mains restent alors libres pour commander l'appareil.
- b) **Vérifier que les outils sont bien munis du système d'emmanchement adapté à l'appareil et qu'ils sont toujours correctement verrouillés dans le porte-outil.**

5.3.3 Utilisation et emploi soigneux des appareils sans fil

- a) **Vérifiez que l'appareil est effectivement en position d'arrêt avant de monter l'accumulateur.** Le fait de monter un accumulateur dans un outil électroportatif en position de fonctionnement peut causer des accidents.
- b) **Respecter les directives spécifiques relatives au transport, au stockage et à l'utilisation des accus Li-Ions.**
- c) **Ne pas exposer les accus à des températures élevées ni au feu.** Il y a risque d'explosion.
- d) **Les accus ne doivent pas être démontés, écrasés, chauffés à une température supérieure à 80 °C ou jetés au feu.** Sinon, il y a risque d'incendie, d'explosion et de brûlure par l'acide.
- e) **Utiliser uniquement les accus homologués pour l'appareil concerné.** En cas d'utilisation des accus non homologués ou d'utilisation des accus pour des domaines d'utilisation non autorisés, il y a risque d'incendie et d'explosion.
- f) **Les accus endommagés (par exemple des accus fissurés, dont certaines pièces sont cassées, dont les contacts sont déformés, rentrés et / ou sortis) ne doivent plus être chargés ni utilisés.**
- g) **Éviter tout court-circuit sur l'accu. Avant de réinsérer l'accu dans l'appareil, s'assurer que les contacts de l'accu et dans l'appareil sont exempts de corps étrangers.** Si les contacts d'un accu sont court-circuités, il y a risque d'incendie, d'explosion et de brûlure par acide.
- h) **Éviter toute pénétration d'humidité.** Toute infiltration d'humidité risque de provoquer un court-circuit et des brûlures ou un incendie.

- i) Si le bloc-accu est trop chaud pour être touché, il est probablement défectueux. **Déposer l'appareil à un endroit non inflammable d'où il peut être surveillé, suffisamment loin de matériaux potentiellement inflammables et le laisser refroidir. Contacter le S.A.V. Hilti, une fois le bloc-accu refroidi.**

5.3.4 Sécurité relative au système électrique

Avant d'entamer le travail, vérifier, par exemple à l'aide d'un détecteur de métaux, qu'il n'y a pas de câbles ou gaines électriques, tuyaux de gaz ou d'eau cachés dans la zone d'intervention. Toutes pièces métalliques extérieures de l'appareil peuvent devenir conductrices, par exemple, lorsqu'un câble électrique est endommagé par inadvertance. Cela peut entraîner un grave danger d'électrocution.

5.3.5 Place de travail

- a) **Veiller à ce que la place de travail soit bien éclairée.**
- b) **Veiller à ce que la place de travail soit bien ventilée.** Des places de travail mal ventilées peuvent nuire à la santé du fait de la présence excessive de poussière.
- c) **Lors de travaux de perforation, protéger l'espace du côté opposé aux travaux.** Des morceaux de matériaux risquent d'être éjectés et / ou de tomber, et de blesser d'autres personnes.

5.3.6 Équipement de protection individuel



L'utilisateur et les personnes se trouvant à proximité pendant l'utilisation de l'appareil doivent porter des lunettes de protection adaptées homologuées selon ANSI Z87.1, un casque de protection, un casque antibruit, des gants de protection et un masque respiratoire léger.

6 Mise en service



6.1 Utilisation soigneuse des blocs-accus

REMARQUE

À basses températures, la puissance du bloc-accu diminue. Ne pas utiliser le bloc-accu jusqu'à ce que l'appareil s'arrête complètement. Remplacer le bloc-accu à temps par le bloc-accu de rechange. Recharger le bloc-accu

immédiatement pour qu'il soit de nouveau disponible pour le prochain remplacement.

Stocker si possible le bloc-accu dans un endroit sec et frais. Ne jamais conserver le bloc-accu dans un endroit exposé au soleil, sur un appareil de chauffage ou derrière des vitres. Une fois arrivés au terme de leur durée de service, les blocs-accus doivent être éliminés conformément à la réglementation en vigueur et en toute sécurité.

6.2 Charge du bloc-accu



DANGER

Utiliser uniquement les blocs-accus et chargeurs Hilti prévus, spécifiés sous « Accessoires ».

6.2.1 Recharge initiale d'un nouveau bloc-accu

Avant la première mise en service, charger complètement les blocs-accus.

6.2.2 Recharge d'un bloc-accu utilisé

Vérifier que les surfaces extérieures du bloc-accu sont propres et sèches avant de l'insérer dans le chargeur approprié.

Avant de recharger le bloc-accu, lire le mode d'emploi du chargeur et, en particulier, le chapitre 2.10 État de charge du bloc-accu Li-Ion.

Les blocs-accus Li-Ion sont toujours prêts à l'emploi, même lorsqu'ils sont partiellement chargés. Des témoins lumineux indiquent la progression du processus de charge (voir mode d'emploi du chargeur).

6.3 Mise en place du bloc-accu 2

ATTENTION

Avant de réinsérer le bloc-accu, s'assurer que l'appareil est bien sur arrêt et que le blocage pendant la marche est activé (inverseur du sens de rotation droite / gauche en position médiane). Utiliser exclusivement les blocs-accus Hilti B 36/3.0 Li-Ion, B 36/2.4 Li-Ion, B 36/2.6 Li-Ion, B 36/3.3 Li-Ion et B 36/3.9 Li-Ion conçus pour l'appareil.

1. Insérer le bloc-accu dans l'appareil par l'arrière, jusqu'à ce qu'il s'encliquette avec un « double-clic » audible.
2. **ATTENTION Une chute d'accu pourrait vous mettre en danger ou mettre en danger d'autres personnes.**
Vérifier que le bloc-accu est bien en place dans l'appareil.

6.4 Retrait du bloc-accu 3

1. Enfoncer les deux boutons de déverrouillage.
2. Tirer le bloc-accu vers l'arrière hors de l'appareil.

6.5 Transport et stockage des accus

Tirer l'accu hors de la position de blocage (position de travail) dans la première position d'encliquetage (position de transport).

Pour l'expédition des accus (que ce soit par transport routier, ferroviaire, maritime ou aérien), il convient d'observer les directives nationales et internationales en vigueur.

6.6 Montage de la poignée latérale 4

1. Mettre l'inverseur du sens de rotation droite / gauche sur la position médiane ou sortir le bloc-accu de l'appareil.
2. Ouvrir le dispositif de serrage de la poignée latérale en tournant la poignée.
3. Retirer la butée de profondeur de la poignée latérale pour éviter tout risque de blessures.
4. Faire glisser la poignée latérale (collier de fixation) au-dessus du mandrin sur la queue.
5. Tourner la poignée latérale dans la position souhaitée.
6. Monter la butée de profondeur et fixer la poignée latérale anti-torsion en la tournant par la poignée.

7 Utilisation



ATTENTION

Lorsque la mèche se bloque, l'appareil pivote sur son axe. **Toujours utiliser l'appareil avec la poignée latérale et maintenir fermement l'appareil avec les deux mains afin de créer un couple résistant et d'enclencher l'accouplement à glissement en cas de blocage. Pour bloquer les pièces, utiliser un dispositif de serrage ou un étai.**

7.1 Préparation

7.1.1 Mise en place de l'outil 5

ATTENTION

Utiliser des gants de protection pour changer d'outil.

1. Mettre l'inverseur du sens de rotation droite / gauche sur la position médiane ou sortir le bloc-accu de l'appareil.
2. Vérifier si l'emmanchement de l'outil est bien propre et légèrement graissé. Le nettoyer et le graisser si nécessaire.
3. Vérifier que la lèvres d'étanchéité de la protection anti-poussière est bien propre et en bon état. Nettoyer la protection anti-poussière si nécessaire ou, si la lèvres d'étanchéité est endommagée, remplacer la protection anti-poussière (voir chapitre "Nettoyage et entretien").
4. Introduire l'outil dans le mandrin et le tourner en le serrant légèrement, jusqu'à ce qu'il se clipse dans les rainures de guidage.
5. Pousser l'outil dans le mandrin jusqu'à ce qu'il s'encliquette avec un « clic » audible.

- Vérifier que l'outil est bien serré dans le dispositif de verrouillage en tirant dessus.

7.1.2 Réglage de la butée de profondeur / poignée latérale 6

- Ouvrir le dispositif de serrage de la poignée latérale en tournant la poignée.
- Tourner la poignée latérale dans la position souhaitée.
- Régler la butée de profondeur sur la profondeur de perçage souhaitée.
- Serrer la poignée latérale à fond en tournant la poignée, ce qui fixe simultanément la butée de profondeur.

7.1.3 Retrait de l'outil 7

ATTENTION

Se munir de gants de protection pour changer d'outil, car l'outil peut être très chaud après utilisation.

- Mettre l'inverseur du sens de rotation droite / gauche sur la position médiane ou sortir le bloc-accu de l'appareil.
- Ouvrir le porte-outil en tirant vers l'arrière le dispositif de verrouillage de l'outil.
- Tirer l'outil hors du porte-outil.

7.1.4 Retrait du porte-outil 8

ATTENTION

Retirer la butée de profondeur de la poignée latérale et l'outil du porte-outil pour éviter tout risque de blessures.

- Mettre l'inverseur du sens de rotation droite / gauche sur la position médiane ou sortir le bloc-accu de l'appareil.
- Tirer la douille du porte-outil vers l'avant et la maintenir fermement.
- Enlever le porte-outil vers l'avant.

7.1.5 Pose du mandrin 9

ATTENTION

Retirer la butée de profondeur de la poignée latérale et l'outil du porte-outil pour éviter tout risque de blessures.

- Mettre l'inverseur du sens de rotation droite / gauche sur la position médiane ou sortir le bloc-accu de l'appareil.
- Saisir la douille du mandrin, la tirer vers l'avant et la maintenir fermement.
- Déplacer le mandrin vers l'avant sur le cône intérieur et relâcher la douille.
- Tourner le mandrin jusqu'à ce qu'il s'encliquette avec un « clic » audible.

7.2 Fonctionnement



ATTENTION

Il y a risque de projection d'éclats de matériau durant les travaux sur le support. **Porter des lunettes de protection, des gants de protection et, si aucun aspirateur de poussière n'est utilisé, porter un masque respiratoire léger.** Les éclats de matériau peuvent entraîner des blessures corporelles et oculaires.

ATTENTION

Les travaux sont bruyants. **Porter un casque antibruit.** Un bruit trop intense peut entraîner des lésions auditives.

7.2.1 Travaux à basses températures

REMARQUE

L'appareil nécessite une température de service minimale pour que le mécanisme de frappe fonctionne.

Pour atteindre la température de service minimale, poser un instant l'appareil sur le matériau support et laisser tourner l'appareil à vide. Répéter cette étape, si nécessaire, jusqu'à ce que le mécanisme de frappe fonctionne.

7.2.2 Sens de rotation droite / gauche

REMARQUE

L'inverseur du sens de rotation droite / gauche permet de choisir le sens de rotation du mandrin. Un dispositif de blocage empêche toute inversion du sens de rotation lorsque le moteur tourne. Dans la position médiane, l'interrupteur de commande est bloqué.

Pour la rotation droite, appuyer sur l'"inverseur du sens de rotation droite / gauche" sur le côté de l'appareil, avec la flèche pointant vers le porte-outil.

Pour la rotation gauche, appuyer sur l'"inverseur du sens de rotation droite / gauche" sur le côté de l'appareil, avec la flèche pointant vers la poignée.

Faire glisser l'inverseur du sens de rotation droite / gauche dans la position souhaitée.

7.2.3 Perçage sans percussion 10

- Avant de procéder au perçage, amener l'inverseur du sens de rotation gauche / droite sur la position "droite".

2. Tourner le sélecteur de fonction sur la position "Perçage sans percussion" jusqu'à ce qu'il s'encliquette. Le sélecteur de fonction ne doit pas être actionné pendant le fonctionnement.
3. Placer la poignée latérale dans la position souhaitée, et s'assurer qu'elle est montée et serrée correctement.
4. Insérer le bloc-accu.
5. Placer l'appareil avec la mèche sur le point de perçage souhaité.
6. Appuyer lentement sur le variateur électronique de vitesse (travailler avec des vitesses de rotation lentes jusqu'à ce que la mèche soit centrée dans le trou).
7. Appuyer entièrement sur le variateur électronique de vitesse afin de continuer de percer à pleine puissance.
8. Exercer une pression d'appui correspondant au matériau support pour atteindre une progression de perçage optimale.
5. Placer l'appareil avec la mèche sur le point de perçage souhaité.
6. Appuyer lentement sur le variateur électronique de vitesse (travailler avec des vitesses de rotation lentes jusqu'à ce que la mèche soit centrée dans le trou).
7. Appuyer entièrement sur le variateur électronique de vitesse afin de continuer de percer à pleine puissance.
8. Exercer une pression d'appui correspondant au matériau support pour atteindre une progression de perçage optimale.
9. Pour éviter les éclatements au moment de la percée, réduire la vitesse de rotation peu avant la percée.

7.2.5 Lecture de l'indicateur de l'état de charge sur un bloc-accu Li-ion

REMARQUE

Il n'est pas possible de contrôler l'état de charge pendant le travail. Le clignotement de la DEL 1 signale un bloc-accu complètement déchargé ou trop chaud. Si tel est le cas, le bloc-accu doit être mis dans le chargeur. Une surcharge ou surchauffe de l'appareil est signalée par le clignotement simultané des 4 DEL.

Le bloc-accu Li-ion dispose d'un indicateur de l'état de charge. L'indicateur du bloc-accu permet d'indiquer l'état de charge pendant le processus de charge (voir le mode d'emploi du bloc-accu). Au repos, l'état de charge est indiqué par les quatre DEL pendant trois secondes après avoir appuyé sur une des touches de verrouillage du bloc-accu ou avoir réinséré le bloc-accu dans l'appareil. Voir chapitre : 2.9 État de charge du bloc-accu Li-ion

7.2.4 Perçage avec percussion

1. Avant de procéder au perçage, amener l'inverseur du sens de rotation gauche / droite sur la position "droite".
2. Tourner le sélecteur de fonction sur la position "Perçage avec percussion" jusqu'à ce qu'il s'encliquette. Le sélecteur de fonction ne doit pas être actionné pendant le fonctionnement.
3. Placer la poignée latérale dans la position souhaitée, et s'assurer qu'elle est montée et serrée correctement.
4. Insérer le bloc-accu.

8 Nettoyage et entretien

ATTENTION

Avant tout travail de nettoyage, retirer l'accu pour éviter toute mise en marche intempestive de l'appareil !

8.1 Nettoyage des outils

Vérifier si l'emmanchement de l'outil est bien propre et légèrement graissé. Le nettoyer et le graisser si nécessaire.

8.2 Nettoyage de l'appareil

ATTENTION

Tenir l'appareil, en particulier les surfaces de préhension, sec, propre et exempt d'huile et de graisse. Ne pas utiliser de nettoyeurs à base de silicone.

Ne jamais faire fonctionner l'appareil si ses ouïes d'aération sont bouchées ! Les nettoyer avec précaution au moyen d'une brosse sèche. Éviter toute pénétration de corps étrangers à l'intérieur de l'appareil. Nettoyer régulièrement l'extérieur de l'appareil avec un chiffon légèrement humide. N'utiliser ni pulvérisateur, ni appareil à jet de vapeur, ni eau courante pour nettoyer l'appareil, afin de garantir sa sûreté électrique.

8.3 Nettoyage et remplacement de la protection anti-poussière

Nettoyer régulièrement la protection anti-poussière au niveau du mandrin au moyen d'un chiffon propre et sec. Essuyer la lèvre d'étanchéité avec précaution et la graisser à nouveau légèrement avec de la graisse Hilti. Si la lèvre d'étanchéité est endommagée, remplacer impérativement la protection anti-poussière. Insérer un tournevis sous la protection anti-poussière par le côté et l'extraire en poussant vers l'avant. Nettoyer la surface d'appui et poser une nouvelle protection anti-poussière. Appuyer fortement jusqu'à ce qu'elle s'encliquette.

8.4 Entretien des accus Li-ion

Éviter toute pénétration d'humidité. L'accu doit être entièrement chargé avant la première mise en service.

Pour que les accus atteignent leur longévité maximale, terminer la décharge dès que la puissance de l'accu diminue nettement.

REMARQUE

En cas de prolongation de l'utilisation, la décharge s'arrête automatiquement avant que les cellules ne risquent d'être endommagées.

Charger les accus à l'aide des chargeurs homologués par Hilti pour les accus Li-ion.

REMARQUE

- Contrairement aux accus NiCd ou NiMH, une recharge de régénération des accus n'est pas nécessaire.
- Une interruption du processus de charge ne réduit pas la longévité de l'accu.
- Le processus de charge peut à tout moment être démarré sans réduire la longévité. Il n'y a pas d'effet mémoire comme pour les accus NiCd ou NiMH.
- Les accus seront de préférence stockés complètement chargés et, si possible, dans un endroit sec et frais. Le stockage des accus à des températures élevées (derrière des vitres) est défavorable, réduit la longévité des accus et augmente le taux d'autodécharge des éléments.
- Si l'accu n'est plus complètement chargé, c'est qu'il a perdu de sa capacité par vieillissement ou sollicitation

excessive. Il est encore possible de travailler avec cet accu. Il faudrait néanmoins penser à le remplacer à temps par un neuf.

8.5 Entretien

AVERTISSEMENT

Toute réparation des pièces électriques ne doit être effectuée que par un électricien qualifié.

Vérifier régulièrement toutes les pièces extérieures de l'appareil pour voir si elles ne sont pas abîmées et s'assurer que tous les organes de commande fonctionnent correctement. Ne pas utiliser l'appareil si des pièces sont abîmées ou si des organes de commande ne fonctionnent pas parfaitement. Faire réparer l'appareil par le S.A.V. Hilti.

8.6 Contrôle après des travaux de nettoyage et d'entretien

Après des travaux de nettoyage et d'entretien, vérifier si tous les équipements de protection sont bien en place et fonctionnent parfaitement.

9 Guide de dépannage

Défauts	Causes possibles	Solutions
L'appareil ne fonctionne pas.	L'accu n'est pas complètement encliqueté ou est vide.	Vérifier que l'accu s'encliquette avec un « double-clic » audible. Le charger si nécessaire.
	Erreur d'origine électrique.	Retirer l'accu de l'appareil et contacter le service Hilti.
	Accu trop chaud ou trop froid.	Amener l'accu à la température de service recommandée.
L'appareil ne fonctionne pas et 1 DEL clignote.	L'accu est déchargé.	Remplacer l'accu et charger l'accu vide.
	Accu trop chaud ou trop froid.	Amener l'accu à la température de service recommandée.
L'appareil ne fonctionne pas et toutes les 4 DEL clignent.	Appareil momentanément surchargé.	Relâcher puis réappuyer sur l'interrupteur de commande.
Absence de percussion.	L'appareil est trop froid.	Pour que l'appareil atteigne la température de service, le poser un instant sur le sol et le laisser tourner à vide.
	Sélecteur de fonction sur "Perçage sans percussion".	Placer le sélecteur de fonction sur "Perçage avec percussion".
	L'appareil est réglé sur le sens de rotation gauche.	Commuter l'appareil sur le sens de rotation droite.
Impossible d'enfoncer le variateur électronique de vitesse ou le variateur est bloqué.	Inverseur du sens de rotation droite / gauche sur la position médiane (position de transport).	Pousser l'inverseur du sens de rotation droite / gauche vers la droite ou vers la gauche.
La broche de l'appareil ne tourne pas	Dépassement de la température de service admissible pour le système électronique de l'appareil.	Laisser refroidir l'appareil.
	Dépassement de la température de service admissible pour l'accu.	Amener l'accu à la température de service recommandée.
	L'accu est déchargé.	Remplacer l'accu et charger l'accu vide.

fr

Défauts	Causes possibles	Solutions
L'appareil s'arrête automatiquement.	La protection électronique contre les surcharges réagit.	Relâcher l'interrupteur de commande et l'actionner à nouveau, réduire la charge de l'appareil.
L'accu se vide plus rapidement que d'habitude.	Température ambiante très basse.	Attendre jusqu'à ce que l'accu se réchauffe à la température de service.
Le bloc-accu ne s'encliquette pas avec un « double-clic » audible.	Ergots d'encliquetage encrassés sur l'accu.	Nettoyer les ergots d'encliquetage et insérer l'accu jusqu'au « clic ». S'adresser au S.A.V. Hilti si le problème subsiste.
Important dégagement de chaleur dans l'appareil ou dans l'accu.	Défaut électrique.	Arrêter immédiatement l'appareil, sortir l'accu de l'appareil, contrôler, le laisser refroidir et s'adresser au S.A.V. Hilti.
	Charge excessive de l'appareil (limite d'emploi dépassée).	Utiliser un appareil approprié pour ce type de travail.
L'outil ne sort pas du dispositif de verrouillage.	Le mandrin n'est pas complètement ouvert.	Retirer le dispositif de verrouillage de l'outil jusqu'à la butée et sortir l'outil.
L'outil ne perce pas.	L'appareil est réglé sur le sens de rotation gauche.	Commuter l'appareil sur le sens de rotation droite.

10 Recyclage

ATTENTION

En cas de recyclage incorrect du matériel, les risques suivants peuvent se présenter : la combustion de pièces en plastique risque de dégager des fumées et gaz toxiques nocifs pour la santé. Les piles abîmées ou fortement chauffées peuvent exploser, causer des empoisonnements ou intoxications, des brûlures (notamment par acides), voire risquent de polluer l'environnement. En cas de recyclage sans précautions, des personnes non autorisées risquent d'utiliser le matériel de manière incorrecte, voire de se blesser sérieusement, d'infliger de graves blessures à des tierces personnes et de polluer l'environnement.

ATTENTION

Éliminer sans tarder les accus défectueux. Les tenir hors de portée des enfants. Ne pas détruire les accus ni les incinérer.

ATTENTION

Éliminer les accus conformément aux prescriptions nationales en vigueur ou restituer les accus ayant servi à Hilti.



Les appareils Hilti sont fabriqués en grande partie avec des matériaux recyclables dont la réutilisation exige un tri correct. Dans de nombreux pays, Hilti est déjà équipé pour reprendre votre ancien appareil afin d'en recycler les composants. Consultez le service clients Hilti ou votre conseiller commercial.

11 Garantie constructeur des appareils

En cas de questions relatives aux conditions de garantie, veuillez vous adresser à votre partenaire HILTI local.

Martillo perforador con batería TE 6-A36-AVR

Lea detenidamente el manual de instrucciones antes de la puesta en servicio.

Conserve siempre este manual de instrucciones cerca de la herramienta.

No entregue nunca la herramienta a otras personas sin adjuntar el manual de instrucciones.

Índice	Página
1 Indicaciones generales	25
2 Descripción	26
3 Herramientas	28
4 Datos técnicos	28
5 Indicaciones de seguridad	28
6 Puesta en servicio	31
7 Manejo	32
8 Cuidado y mantenimiento	34
9 Localización de averías	35
10 Reciclaje	36
11 Garantía del fabricante de las herramientas	36

Los números hacen referencia a las ilustraciones. Las ilustraciones se encuentran al principio del manual de instrucciones.

En este manual de instrucciones, la «herramienta» se refiere siempre al martillo perforador con batería TE 6-A36-AVR(03).

Componentes de la herramienta, elementos de manejo y de indicación

- 1 Portaútiles
- 2 Interruptor selector de funciones
- 3 Interruptor de conmutación derecha/izquierda
- 4 Conmutador de control
- 5 Botón de desbloqueo de la batería (2 unidades)
- 6 Batería
- 7 Conexión para módulo de aspiración TE DRS-6-A(01)
- 8 Empuñadura
- 9 Empuñadura lateral con tope de profundidad

1 Indicaciones generales

1.1 Señales de peligro y su significado

PELIGRO

Término utilizado para un peligro inminente que puede ocasionar lesiones graves o incluso la muerte.

ADVERTENCIA

Término utilizado para una posible situación peligrosa que puede ocasionar lesiones graves o la muerte.

PRECAUCIÓN

Término utilizado para una posible situación peligrosa que puede ocasionar lesiones o daños materiales leves.

INDICACIÓN

Término utilizado para indicaciones de uso y demás información de interés.

1.2 Explicación de los pictogramas y otras indicaciones

Símbolos de advertencia



Advertencia de peligro en general



Advertencia de tensión eléctrica peligrosa



Advertencia de sustancias corrosivas

Señales prescriptivas



Utilizar protección para los ojos



Utilizar casco de protección



Utilizar protección para los oídos



Utilizar guantes de protección

es



Utilizar mascarilla ligera



Leer el manual de instrucciones antes del uso

Símbolos



Recoger los materiales para su reutilización



Taladrar sin percusión



Taladrar con martillo



Voltios



Corriente continua



Número de referencia de revoluciones en vacío



Revoluciones por minuto



Revoluciones por minuto



Diámetro



Giro derecha/izquierda

Ubicación de los datos identificativos de la herramienta

La denominación del modelo está en la placa de identificación y el número de serie en el lateral de la carcasa del motor. Anote estos datos en su manual de instrucciones y menciónelos siempre que realice alguna consulta a nuestros representantes o al departamento de servicio técnico.

Modelo:

Generación: 03

N.º de serie:

2 Descripción

2.1 Uso conforme a las prescripciones

El TE 6-A36-AVR(03) es un martillo perforador con batería de guiado manual para atornillar y aflojar tornillos, así como para taladrar en acero, madera y mampostería y para taladrar con martillo en hormigón y mampostería.

Para este producto utilice únicamente las baterías de Ion-Litio de **Hilti** de la serie B 36

Para estas baterías, utilice exclusivamente los cargadores de **Hilti** de la serie C4/36.

Utilice la herramienta únicamente en lugares secos.

No utilice la herramienta en lugares donde exista peligro de incendio o explosión.

No deben trabajarse materiales nocivos para la salud (p. ej., amianto).

Esta herramienta ha sido diseñada para el usuario profesional y solo debe ser manejada, conservada y reparada por personal autorizado y debidamente formado. Este personal debe estar especialmente instruido en lo referente a los riesgos de uso. La herramienta y sus dispositivos auxiliares pueden conllevar riesgos para el usuario en caso de manejarse de forma inadecuada por personal no cualificado o utilizarse para usos diferentes a los que están destinados.

El entorno de trabajo puede ser: obra, taller, renovaciones, mudanzas y obra nueva.
 No está permitido efectuar manipulaciones o modificaciones en la herramienta.
 No utilice las baterías como fuente de energía para consumidores no especificados.
 A fin de evitar el riesgo de lesiones, utilice exclusivamente accesorios y herramientas de Hilti.
 Siga las indicaciones relativas al manejo, cuidado y mantenimiento que se describen en el manual de instrucciones.
 Respete la normativa nacional en materia de protección laboral.

2.2 Portaútiles

Portaútiles TE-C CLICK

2.3 Interruptores

Conmutador de control regulable para un inicio de perforación suave.

Interruptor selector de funciones

Interruptor de conmutación derecha/izquierda

2.4 Empuñaduras

Empuñadura lateral basculable con tope de profundidad y amortiguación de vibraciones

Empuñadura amortiguadora de vibraciones

2.5 Dispositivo de protección

Acoplamiento mecánico de retención

2.6 Funciones adicionales del sistema electrónico de la herramienta

La herramienta está equipada con una protección electrónica contra sobrecarga. En caso de sobrecarga, la herramienta se desconecta automáticamente. Si se suelta el conmutador de control y se vuelve a accionar, la herramienta recobra toda la potencia.

Además, se controla la temperatura del sistema electrónico de la herramienta a fin de alargar su vida útil. En caso de sobrettemperatura del sistema electrónico, el husillo no gira aunque el conmutador de control se encuentre completamente presionado. En cuanto la temperatura se encuentra de nuevo en el margen autorizado, la herramienta puede volver a utilizarse.

2.7 Lubricación

Lubricación permanente

2.8 El suministro del equipamiento de serie incluye

- 1 Herramienta
- 1 Portaútiles TE-C CLICK
- 1 Empuñadura lateral con tope de profundidad
- 1 Manual de instrucciones
- 1 Maletín Hilti (opcional)
- 1 Paño de limpieza (opcional)
- 1 Grasa (opcional)

2.9 Estado de carga de las baterías de Ion-Litio

LED permanente	LED parpadeante	Estado de carga C
LED 1, 2, 3, 4	-	$C \geq 75 \%$
LED 1, 2, 3	-	$50 \% \leq C < 75 \%$
LED 1, 2	-	$25 \% \leq C < 50 \%$
LED 1	-	$10 \% \leq C < 25 \%$
-	LED 1	$C < 10 \%$

INDICACIÓN

El estado de carga no puede consultarse mientras la herramienta esté en uso ni inmediatamente después de usarla. Si los LED indicadores del estado de carga de la batería parpadean, observe las indicaciones del capítulo 9, «Localización de averías».

3 Herramientas

Denominación	Descripción
Broca para martillos perforadores	∅ 5...16 mm (de 9/16" a 5/8")
Útiles de inserción	Extremo de inserción C
Alojamiento de cierre rápido para brocas para madera y metal	Con vástago cilíndrico, hexagonal
Portabrocas de corona dentada	Con vástago cilíndrico, hexagonal
Broca para madera	∅ 3...20 mm (de 1/8" a 3/4")
Broca para madera (broca salomónica)	∅ Máx. 14 mm (máx. 9/16")
Broca para metal (de acero)	∅ 3...10 mm (de 1/8" a 3/4")

4 Datos técnicos

Reservado el derecho a introducir modificaciones técnicas.

Herramienta	TE 6-A36-AVR(03)
Voltaje nominal (corriente continua)	36 V
Peso	4,0 kg (8,82 lb)
Dimensiones (L x An x Al)	344 mm (13,54") x 94 mm (3,7") x 215 mm (8,46")
Velocidad al taladrar sin percusión	1.010/min
Velocidad al taladrar con martillo	940/min
Velocidad de giro en vacío en el modo taladrar con martillo	1.040/min
Energía por impacto	2,0 J

Información sobre la herramienta y su aplicación

Portaútiles	TE-C CLICK
-------------	------------

5 Indicaciones de seguridad

INDICACIÓN

Las indicaciones de seguridad del capítulo 5.1 incluyen todas las indicaciones de seguridad generales para herramientas eléctricas que se mencionan en el manual de instrucciones. Por consiguiente, pueden incluirse indicaciones que no son relevantes para esta herramienta.

5.1 Indicaciones generales de seguridad para herramientas eléctricas

a)  **ADVERTENCIA**

Lea con atención todas las instrucciones e indicaciones de seguridad. En caso de no respetar las instrucciones e indicaciones de seguridad que se describen a continuación, podría producirse

una descarga eléctrica, incendio y/o lesiones graves. **Conserve todas las instrucciones e indicaciones de seguridad para futuras consultas.** El término «herramienta eléctrica» empleado en las indicaciones de seguridad se refiere a herramientas eléctricas portátiles, ya sea con cable de red o sin cable, en caso de ser accionadas por batería.

5.1.1 Seguridad en el puesto de trabajo

- a) **Mantenga su área de trabajo limpia y bien iluminada.** El desorden o una iluminación deficiente de las zonas de trabajo pueden provocar accidentes.
- b) **No utilice la herramienta eléctrica en un entorno con peligro de explosión, en el que se encuentren combustibles líquidos, gases o material en polvo.**

Las herramientas eléctricas producen chispas que pueden llegar a inflamar los materiales en polvo o vapores.

- c) **Mantenga alejados a los niños y otras personas de su puesto de trabajo al emplear la herramienta eléctrica.** Una distracción le puede hacer perder el control sobre la herramienta.

5.1.2 Seguridad eléctrica

- a) **El enchufe de la herramienta eléctrica debe corresponder con la toma de corriente utilizada. No está permitido modificar el enchufe en forma alguna. No utilice enchufes adaptadores para las herramientas eléctricas con puesta a tierra.** Los enchufes sin modificar adecuados a las respectivas tomas de corriente reducen el riesgo de descarga eléctrica.
- b) **Evite el contacto corporal con superficies que tengan puesta a tierra, como pueden ser tubos, calefactores, cocinas y frigoríficos.** El riesgo a quedar expuesto a una descarga eléctrica es mayor si su cuerpo tiene contacto con el suelo.
- c) **No exponga las herramientas eléctricas a la lluvia y evite que penetren líquidos en su interior.** El riesgo de recibir descargas eléctricas aumenta si penetra agua en la herramienta eléctrica.
- d) **No utilice el cable de red para transportar o colgar la herramienta eléctrica ni tire de él para extraer el enchufe de la toma de corriente. Mantenga el cable de red alejado de fuentes de calor, aceite, aristas afiladas o piezas móviles de la herramienta.** Los cables de red dañados o enredados pueden provocar descargas eléctricas.
- e) **Cuando trabaje al aire libre con una herramienta eléctrica, utilice exclusivamente un alargador adecuado para exteriores.** La utilización de un cable de prolongación adecuado para su uso en exteriores reduce el riesgo de una descarga eléctrica.
- f) **Cuando no pueda evitarse el uso de la herramienta eléctrica en un entorno húmedo, utilice un interruptor de corriente de defecto.** La utilización de un interruptor de corriente de defecto evita el riesgo de una descarga eléctrica.

5.1.3 Seguridad de las personas

- a) **Permanezca atento, preste atención durante el trabajo y utilice la herramienta eléctrica con prudencia. No utilice la herramienta eléctrica si está cansado, ni tampoco después de haber consumido alcohol, drogas o medicamentos.** Un momento de descuido al utilizar la herramienta eléctrica podría producir graves lesiones.
- b) **Utilice el equipo de protección adecuado y lleve siempre gafas de protección.** El riesgo de lesiones se reduce considerablemente si, según el tipo y la aplicación de la herramienta eléctrica empleada, se utiliza un equipo de cubierta protectora adecuado como una mascarilla antipolvo, zapatos de seguridad con suela antideslizante, casco o protectores auditivos.

- c) **Evite una puesta en marcha fortuita de la herramienta. Asegúrese de que la herramienta eléctrica está apagada antes de alzarla, transportarla, conectarla a la alimentación de corriente y/o insertar la batería.** Si transporta la herramienta eléctrica sujetándola por el interruptor de conexión/desconexión o si introduce el enchufe en la toma de corriente con la herramienta conectada, podría producirse un accidente.
- d) **Retire las herramientas de ajuste o llaves fijas antes de conectar la herramienta eléctrica.** Una herramienta o llave colocada en una pieza giratoria puede producir lesiones al ponerse en funcionamiento.
- e) **Evite adoptar posturas forzadas. Procure que la postura sea estable y manténgase siempre en equilibrio.** De esta forma podrá controlar mejor la herramienta eléctrica en caso de presentarse una situación inesperada.
- f) **Utilice ropa adecuada. No utilice vestimenta amplia ni joyas. Mantenga su pelo, vestimenta y guantes alejados de las piezas móviles.** La vestimenta suelta, las joyas y el pelo largo se pueden enganchar con las piezas móviles.
- g) **Siempre que sea posible utilizar equipos de aspiración o captación de polvo, asegúrese de que están conectados y de que se utilizan correctamente.** El uso de un sistema de aspiración reduce los riesgos derivados del polvo.

5.1.4 Uso y manejo de la herramienta eléctrica

- a) **No sobrecargue la herramienta. Utilice la herramienta adecuada para el trabajo que se dispone a realizar.** Con la herramienta apropiada podrá trabajar mejor y de modo más seguro dentro del margen de potencia indicado.
- b) **No utilice herramientas con el interruptor defectuoso.** Las herramientas que no se puedan conectar o desconectar son peligrosas y deben repararse.
- c) **Extraiga el enchufe de la toma de corriente y/o la batería antes de efectuar cualquier ajuste en la herramienta, cambiar accesorios o en caso de no utilizar la herramienta durante un tiempo prolongado.** Esta medida preventiva reduce el riesgo de conexión accidental de la herramienta eléctrica.
- d) **Guarde las herramientas fuera del alcance de los niños. Evite que personas no familiarizadas con su uso o que no hayan leído este manual de instrucciones utilicen la herramienta.** Las herramientas utilizadas por personas inexpertas son peligrosas.
- e) **Cuide su herramienta eléctrica adecuadamente. Compruebe si las piezas móviles de la herramienta funcionan correctamente y sin atascarse, y si existen piezas rotas o deterioradas que pudieran afectar al funcionamiento de la herramienta eléctrica. Encargue la reparación de las piezas defectuosas antes de usar la herramienta eléctrica.** Muchos accidentes son consecuencia de un mantenimiento inadecuado de la herramienta eléctrica.

- f) **Mantenga los útiles limpios y afilados.** Las herramientas de corte bien cuidadas y con aristas afiladas se atascan menos y se guían con más facilidad.
- g) **Utilice la herramienta eléctrica, los accesorios, útiles, etc., de acuerdo con estas instrucciones. Para ello, tenga en cuenta las condiciones de trabajo y la tarea que se va a realizar.** El uso de herramientas eléctricas para trabajos diferentes de aquellos para los que han sido concebidas puede resultar peligroso.

5.1.5 Uso y manejo de la herramienta a batería

- a) **Cargue las baterías únicamente con los cargadores recomendados por el fabricante.** Existe riesgo de incendio al intentar cargar baterías de un tipo diferente al previsto para el cargador.
- b) **Utilice únicamente las baterías previstas para la herramienta eléctrica.** El uso de otro tipo de baterías puede provocar daños e incluso incendios.
- c) **Si no utiliza la batería, guárdela separada de clips, monedas, llaves, clavos, tornillos o demás objetos metálicos que pudieran puentear sus contactos.** El cortocircuito de los contactos de la batería puede causar quemaduras o incendios.
- d) **La utilización inadecuada de la batería puede provocar fugas de líquido. Evite el contacto con este líquido. En caso de contacto accidental, enjuague el área afectada con abundante agua. En caso de contacto con los ojos, acuda además inmediatamente a un médico.** El líquido de la batería puede irritar la piel o producir quemaduras.

5.1.6 Servicio técnico

- a) **Solicite que un profesional lleve a cabo la reparación de su herramienta eléctrica y que utilice exclusivamente piezas de repuesto originales.** Solamente así se mantiene la seguridad de la herramienta eléctrica.

5.2 Indicaciones de seguridad para martillos

- a) **Utilice protección para los oídos.** El ruido constante puede reducir la capacidad auditiva.
- b) **Utilice las empuñaduras adicionales que se suministran con la herramienta.** La pérdida del control puede causar lesiones.
- c) **Sujete la herramienta por las empuñaduras aisladas cuando realice trabajos en los que la herramienta puede entrar en contacto con cables eléctricos ocultos.** El contacto con los cables conductores puede traspasar la conductividad a las partes metálicas y producir descargas eléctricas.

5.3 Indicaciones de seguridad adicionales

5.3.1 Seguridad de personas

- a) **Sujete siempre la herramienta con ambas manos por las empuñaduras previstas. Mantenga las empuñaduras secas, limpias y sin residuos de aceite o grasa.**

- b) **Si la herramienta se utiliza sin un sistema de aspiración de polvo, debe emplearse una mascarilla ligera al realizar trabajos que generen polvo.**
- c) **Efectúe pausas durante el trabajo, así como ejercicios de relajación y estiramiento de los dedos para mejorar la circulación.**
- d) **Evite tocar las piezas en movimiento. No conecte la herramienta fuera de la zona de trabajo.** Si se tocan piezas en movimiento, en especial herramientas rotativas, pueden ocasionarse lesiones.
- e) **Active el bloqueo de conexión (conmutador de-
recha/izquierda en posición central) en caso de guardar y transportar la herramienta.**
- f) **Al poner en marcha la herramienta después de que la protección electrónica contra sobrecarga la haya desconectado, sujétela con ambas manos por las empuñaduras provistas.**
- g) **Es conveniente advertir a los niños de que no deben jugar con la herramienta.**
- h) **La herramienta no es apta para el uso por parte de niños o de personas físicamente no preparadas que no tengan la debida instrucción.**
- i) **ADVERTENCIA: Ciertos tipos de polvo que se producen al realizar trabajos de desbarbado, lijado, tronzado y taladrado, contienen sustancias químicas, conocidas por provocar cáncer, que ocasionan malformaciones en el feto, esterilidad, problemas en las vías respiratorias y otras lesiones.** Entre estas sustancias químicas se encuentran el plomo de la pintura de plomo, el cuarzo cristalino derivado de ladrillos secos, hormigón, mampostería o piedras naturales, o el arsénico y el cromo derivados de la madera de construcción tratada con productos químicos. El nivel de riesgo varía dependiendo de la frecuencia con la que se realizan estos trabajos. **Para reducir los efectos de estas sustancias químicas, tanto el usuario como terceras personas deben trabajar en espacios con buena ventilación y usar siempre equipos de seguridad autorizados. Utilice una mascarilla adecuada para determinados tipos de polvo que pueda filtrar además partículas microscópicas y mantenga alejado el polvo de la cara y el cuerpo. Evite un contacto prolongado con el polvo. Utilice prendas protectoras y lave con agua y jabón las partes de su cuerpo que hayan estado en contacto con el polvo.** La inhalación de partículas de polvo a través de la boca y el contacto prolongado del polvo con la piel y los ojos puede favorecer la ingestión de sustancias químicas perjudiciales para la salud.

5.3.2 Manipulación y utilización segura de las herramientas eléctricas

- a) **Asegure la pieza de trabajo. Utilice dispositivos de sujeción o un tornillo de banco para sujetar la pieza de trabajo.** De esta forma estará sujeta de modo más seguro que con la mano y, por otro

lado, se podrán mantener libres ambas manos para el manejo de la herramienta.

- b) **Compruebe si los útiles presentan el sistema de inserción adecuado para la herramienta y si están enclavados en el portátiles conforme a las prescripciones.**

5.3.3 Manipulación y utilización segura de las herramientas alimentadas por batería

- a) **Antes de insertar la batería, asegúrese de que la herramienta esté desconectada.** La inserción de la batería en una herramienta eléctrica conectada puede causar accidentes.
- b) **Tenga en cuenta las directivas especiales en materia de transporte, almacenamiento y manejo de las baterías de Ion-Litio.**
- c) **Mantenga las baterías alejadas de altas temperaturas y fuego.** Existe peligro de explosión.
- d) **Las baterías no se deben destruir, comprimir, calentar por encima de 80 °C ni quemar.** En caso contrario existe peligro de abrasión, fuego y explosión.
- e) **Utilice exclusivamente las baterías Hilti previstas para su herramienta.** Si utiliza baterías no autorizadas o emplea la batería para otro fin no previsto, existe peligro de fuego y explosión.
- f) **Las baterías dañadas (p. ej., baterías con grietas, piezas rotas o contactos doblados, metidos hacia dentro o extraídos) no deben cargarse ni seguir utilizándose.**
- g) **Evite que se produzcan cortocircuitos en la batería. Antes de insertar la batería en la herramienta, asegúrese de que los contactos de la misma estén libres de cuerpos extraños.** Si se produce un cortocircuito en los contactos de la batería, existe peligro de causticación, fuego y explosión.
- h) **Evite la penetración de humedad.** La humedad puede provocar un cortocircuito y, como consecuencia, quemaduras o fuego.
- i) **Si al tocar la batería, detecta que está muy caliente, puede deberse a una avería en la misma. Coloque la herramienta en un lugar visible, no inflamable y alejado de materiales inflamables y deje que**

se enfríe. Póngase en contacto con el Servicio Técnico de Hilti una vez que la batería se haya enfriado.

5.3.4 Seguridad eléctrica

Compruebe (sirviéndose, por ejemplo, de un detector de metales) antes de empezar a trabajar si la zona de trabajo oculta cables eléctricos, tuberías de gas o cañerías de agua. Las partes metálicas exteriores de la herramienta pueden conducir electricidad si, por ejemplo, se ha dañado accidentalmente una conducción eléctrica. Esto conlleva un peligro grave de descarga eléctrica.

5.3.5 Lugar de trabajo

- a) **Procure que haya una buena iluminación en la zona de trabajo.**
- b) **Procure que haya una buena ventilación del lugar de trabajo.** Los lugares de trabajo mal ventilados pueden perjudicar la salud debido a la carga de polvo.
- c) **Durante el proceso de taladrado proteja la zona opuesta al lugar donde se realiza el trabajo,** ya que pueden desprenderse cascos y causar heridas a otras personas.

5.3.6 Equipo de seguridad personal



El usuario y las personas que se encuentren en las inmediaciones de la zona de uso de la herramienta deberán llevar gafas protectoras, casco de protección, protección para los oídos, guantes de protección y una mascarilla ligera homologados según la norma ANSI Z87.1.

6 Puesta en servicio



6.1 Cuidado de las baterías

INDICACIÓN

El rendimiento de las baterías disminuye a bajas temperaturas. No espere a que la herramienta deje de funcionar para cambiar la batería. Sustitúyala por la segunda batería con la debida antelación. Recargue enseguida la batería para que esté preparada para el siguiente cambio.

Guarde la batería en un lugar fresco y seco. No guarde nunca la batería en un lugar expuesto al sol, sobre un radiador o detrás de una luna de cristal. Al finalizar su vida útil, las baterías deben eliminarse de forma adecuada y segura respetando el medio ambiente.

6.2 Carga de la batería



PELIGRO

Utilice únicamente las baterías y los cargadores Hilti que figuran en "Herramientas y accesorios".

6.2.1 Primera carga de una batería

Cargue por completo la batería antes de la primera puesta en servicio.

6.2.2 Carga de una batería usada

Asegúrese de que la superficie exterior de la batería está limpia y seca antes de colocarla en el cargador correspondiente.

Antes de cargar la batería, lea atentamente el manual de instrucciones del cargador así como el capítulo 2.10. "Estado de carga de las baterías de iones de litio" de este manual de instrucciones.

Las baterías de Ion-Litio están listas para funcionar en cualquier momento, incluso con un estado de carga parcial. El proceso de carga se muestra mediante los LED (véase el manual de instrucciones del cargador).

6.3 Colocación de la batería 2

PRECAUCIÓN

Antes de insertar la batería, asegúrese de que la herramienta está desconectada y el bloqueo de conexión conectado (interruptor de conmutación derecha / izquierda en posición central). Utilice solo las baterías Hilti previstas para su herramienta. B 36/3.0 Ion-Litio, B 36/2.4 Ion-Litio, B 36/2.6 Ion-Litio, B 36/3.3 Ion-Litio y B 36/3.9 Ion-Litio.

1. Introduzca la batería en la herramienta empujando desde atrás hasta que quede encajada de modo audible con un doble clic.
2. **PRECAUCIÓN Si se cae la batería, puede dañarle a usted y a otras personas.**
Compruebe que la batería está bien colocada en la herramienta.

6.4 Extracción de la batería 3

1. Pulse los dos botones de desbloqueo.
2. Extraiga la batería de la herramienta tirando hacia atrás.

6.5 Transporte y almacenamiento de las baterías

Desplace la batería de la posición de bloqueo (posición de trabajo) a la primera posición de encastre (posición de transporte).

Al enviar baterías, tenga en cuenta las normativas de transporte vigente, tanto nacionales como internacionales (transporte por carretera, ferrocarril, mar o aire).

6.6 Montaje de la empuñadura lateral 4

1. Conecte el interruptor de conmutación derecha / izquierda en la posición central o retire la batería de la herramienta.
2. Abra el soporte de la empuñadura lateral girando la empuñadura.
3. Aparte el tope de profundidad de la empuñadura lateral para evitar lesiones.
4. Desplace la empuñadura lateral (banda de sujeción) a través del portaútiles hacia el vástago.
5. Gire la empuñadura lateral hasta la posición deseada.
6. Monte el tope de profundidad y gire la empuñadura lateral para su fijación.

7 Manejo



PRECAUCIÓN

Cuando se atasca la broca, la herramienta se desvía lateralmente. **Utilice siempre la herramienta con la empuñadura lateral y sujétela con ambas manos para que se genere un par de torsión y se active el acoplamiento de fricción en caso de atasco. Fije las piezas de trabajo sueltas con un dispositivo de sujeción o un tornillo de banco.**

7.1 Preparación

7.1.1 Inserción del útil 5

PRECAUCIÓN

Utilice guantes de protección para cambiar de útil.

1. Conecte el interruptor de conmutación derecha / izquierda en la posición central o retire la batería de la herramienta.
2. Compruebe si el extremo de inserción del útil está limpio y ligeramente engrasado. Límpielo y engráselo en caso necesario.
3. Compruebe que la falda de obturación de la tapa de protección contra polvo está limpia y en perfecto estado. En caso necesario, limpie la tapa de protección o sustitúyala si la falda de obturación está dañada (véase el capítulo "Cuidado y mantenimiento").
4. Inserte el cincel en el portaútiles y gírelo ejerciendo una leve presión hasta que se enclave en las ranuras de la inserción.
5. Inserte el cincel en el portaútiles hasta que encaje de modo audible.
6. Tire del útil para comprobar que está encajado.

7.1.2 Ajuste del tope de profundidad / empuñadura lateral 6

1. Abra el soporte de la empuñadura lateral girando la empuñadura.
2. Gire la empuñadura lateral hasta la posición deseada.
3. Coloque el tope a la profundidad de perforación deseada.
4. Apriete la empuñadura lateral girando el mango, de modo que también se fije el tope de profundidad.

7.1.3 Extracción del útil 7

PRECAUCIÓN

Utilice guantes de protección para cambiar de útil, ya que éste se calienta debido al uso.

1. Conecte el interruptor de conmutación derecha / izquierda en la posición central o retire la batería de la herramienta.
2. Abra el portaútiles retirando el bloqueo del útil.
3. Extraiga el útil del portaútiles.

7.1.4 Extracción del portaútiles 8

PRECAUCIÓN

A fin de evitar lesiones, retire el tope de profundidad de la empuñadura lateral y la herramienta del portaútiles.

1. Conecte el interruptor de conmutación derecha / izquierda en la posición central o retire la batería de la herramienta.
2. Tire hacia delante el casquillo del portaútiles y sujételo con firmeza.
3. Levante el portaútiles hacia delante.

7.1.5 Colocación del portaútiles 9

PRECAUCIÓN

A fin de evitar lesiones, retire el tope de profundidad de la empuñadura lateral y la herramienta del portaútiles.

1. Conecte el interruptor de conmutación derecha / izquierda en la posición central o retire la batería de la herramienta.
2. Sujete el casquillo por el portaútiles, tire de él hacia delante y sujételo con firmeza.
3. Coloque el portaútiles desde delante en el tubo guía y suelte el casquillo.
4. Gire el portaútiles hasta que encaje de modo audible.

7.2 Funcionamiento



PRECAUCIÓN

Durante el trabajo pueden desprenderse virutas de material. **Utilice gafas de protección, guantes protectores y, si no utiliza aspiración de polvo, una mascarilla**

ligera. El material que sale disparado puede ocasionar lesiones en los ojos y en el cuerpo.

PRECAUCIÓN

Durante el proceso de trabajo se genera ruido. **Utilice protección para los oídos.** Un ruido demasiado potente puede dañar los oídos.

7.2.1 Procedimiento para trabajar a bajas temperaturas.

INDICACIÓN

La herramienta requiere una temperatura de funcionamiento mínima para que funcione el mecanismo de percusión.

Para alcanzar la temperatura mínima de funcionamiento, deposite la herramienta sobre la base y deje que marche en vacío durante un breve espacio de tiempo. Repita el proceso las veces que sea necesario hasta que funcione el mecanismo percusor.

7.2.2 Giro derecha / izquierda

INDICACIÓN

Con el interruptor de conmutación derecha / izquierda se puede seleccionar el sentido de giro del husillo de la herramienta. Un bloqueo impide la conmutación con el motor en marcha. En la posición central, el conmutador de control está bloqueado.

Para girar a la derecha pulse el "interruptor de conmutación derecha / izquierda" del lado de la herramienta con la flecha en dirección al portaútiles.

Para girar a la izquierda pulse el "interruptor de conmutación derecha / izquierda" del lado de la herramienta con la flecha en dirección a la empuñadura.

Coloque el interruptor de conmutación derecha / izquierda en la posición deseada.

7.2.3 Taladrado sin percusión 10

1. Antes del taladrado coloque el interruptor derecha / izquierda en la posición "derecha".
2. Sitúe el interruptor selector de funciones en la posición "Taladrar sin percusión" hasta que encaje. El interruptor selector de funciones no debe accionarse durante el funcionamiento.
3. Coloque la empuñadura en la posición deseada y asegúrese de que esté correctamente montada y fijada conforme a las prescripciones.
4. Inserte la batería.
5. Sitúe la herramienta con la broca en el punto de perforación deseado.
6. Pulse lentamente el conmutador de control (trabaje con una velocidad reducida hasta que la broca se haya centrado en el orificio).
7. Pulse completamente el conmutador de control para seguir trabajando con toda la potencia.
8. Aplique una presión determinada según la superficie de trabajo para conseguir un avance de perforación óptimo.

7.2.4 Taladrado con martillo II

1. Antes del taladrado coloque el interruptor derecha / izquierda en la posición "derecha".
2. Sitúe el interruptor selector de funciones en la posición "Taladrado con martillo" hasta que encaje. El interruptor selector de funciones no debe accionarse durante el funcionamiento.
3. Coloque la empuñadura en la posición deseada y asegúrese de que esté correctamente montada y fijada conforme a las prescripciones.
4. Inserte la batería.
5. Sitúe la herramienta con la broca en el punto de perforación deseado.
6. Pulse lentamente el conmutador de control (trabaje con una velocidad reducida hasta que la broca se haya centrado en el orificio).
7. Pulse completamente el conmutador de control para seguir trabajando con toda la potencia.
8. Aplique una presión determinada según la superficie de trabajo para conseguir un avance de perforación óptimo.

9. Para evitar que se desprenda material al taladrar, deberá reducir la velocidad justo antes de la perforación.

7.2.5 Lectura del indicador del estado de carga en baterías de Ion-Litio II

INDICACIÓN

El estado de carga no puede consultarse mientras la herramienta esté en uso. El parpadeo del LED 1 indica que la batería está totalmente descargada o demasiado caliente. En ese caso, deberá insertarse la batería en el cargador. El parpadeo de los 4 LED indica que la herramienta está sobrecargada o sobrecalentada.

Las baterías de Ion-Litio disponen de un indicador del estado de carga. Durante el proceso de carga, el estado de carga se muestra mediante el indicador de la batería (véase el manual de instrucciones del cargador). En reposo, el estado de carga se indica mediante la iluminación durante tres segundos de los cuatro LED al pulsar una de las teclas de bloqueo de la batería o al insertar la batería en la herramienta.

Véase el capítulo: 2.9 Estado de carga de las baterías de Ion-Litio

8 Cuidado y mantenimiento

PRECAUCIÓN

Antes de empezar con las tareas de limpieza, extraiga la batería para impedir que la herramienta se ponga en marcha de forma accidental.

8.1 Cuidado de los útiles

Compruebe si el extremo de inserción del útil está limpio y ligeramente engrasado. Límpielo y engráselo en caso necesario.

8.2 Cuidado de la herramienta

PRECAUCIÓN

Mantenga la herramienta seca, limpia y libre de aceite y grasa, en especial las superficies de la empuñadura. No utilice productos de limpieza que contengan silicona.

No utilice nunca la herramienta si esta tiene obstruidas las ranuras de ventilación. Límpielas cuidadosamente con un cepillo seco. Evite la penetración de cuerpos extraños en el interior de la herramienta. Limpie regularmente el exterior de la herramienta con un paño ligeramente humedecido. No utilice pulverizadores, aparatos de chorro de vapor o agua corriente para la limpieza, ya que podría afectar a la seguridad eléctrica de la herramienta.

8.3 Limpieza y cambio de la tapa de protección

Limpie regularmente la tapa de protección del portaútiles con un paño limpio y seco. Limpie con cuidado la falda de obturación y vuelva a lubricarla ligeramente con grasa Hilti. Si la falda de obturación está dañada, es imprescindible que cambie la tapa de protección. Introduzca

un destornillador en el lateral por debajo de la tapa de protección y presione hacia fuera. Limpie la superficie de apoyo y coloque una tapa de protección nueva. Presione con fuerza la tapa hasta que quede enclavada.

8.4 Cuidado de las baterías de Ion-Litio

Evite la penetración de líquidos.

Cargue por completo la batería antes de la primera puesta en servicio.

Para alcanzar la máxima vida útil de las baterías, cárguelas en cuanto empiece a disminuir claramente su rendimiento.

INDICACIÓN

Si continúa utilizando la herramienta, la descarga finaliza automáticamente antes de que puedan producirse daños en las células.

Cargue las baterías con cargadores Hilti autorizados para baterías de Ion-Litio.

INDICACIÓN

- Con estas baterías no es necesaria su regeneración, como sucede con las de NiCd o NiMH.
- Una interrupción del proceso de carga no reduce la vida útil de la batería.
- El proceso de carga puede reiniciarse en cualquier momento sin que disminuya la vida útil. No tienen efecto memoria como ocurre con las baterías de NiCd o NiMH.
- Las baterías deben guardarse en un estado de carga completa, a ser posible en un lugar fresco y seco. No se recomienda guardar la batería a una temperatura ambiente alta (detrás de un cristal), ya que reduce

su vida útil y propicia la descarga automática de las celdas.

- Si la batería se carga de forma incompleta, esto es debido a una reducción de la capacidad originada por el paso del tiempo o el uso excesivo. La herramienta puede seguir funcionando con esta batería. No obstante, debe reemplazarse por una nueva cada cierto tiempo.

8.5 Mantenimiento

ADVERTENCIA

La reparación de los componentes eléctricos solo puede llevarla a cabo un técnico electricista cualificado.

Compruebe regularmente que ninguna de la partes exteriores de la herramienta esté dañada y que todos los elementos de manejo se encuentren en perfecto estado de funcionamiento. No use la herramienta si alguna parte está dañada o si alguno de los elementos de manejo no funciona correctamente. Encargue la reparación de la herramienta al Servicio Técnico de Hilti.

8.6 Control después de las tareas de cuidado y mantenimiento

Una vez realizados los trabajos de cuidado y mantenimiento debe comprobarse si están colocados todos los dispositivos de protección y si estos funcionan correctamente.

es

9 Localización de averías

Fallo	Posible causa	Solución
La herramienta no funciona.	La batería no se ha insertado completamente o está agotada.	La batería debe encajar con un doble clic audible o debe cargarse.
	Error en el sistema eléctrico.	Retire la batería de la herramienta y póngase en contacto con el Servicio Técnico de Hilti.
	La batería está demasiado caliente o fría.	Asegúrese de que la batería alcance la temperatura de trabajo recomendada.
La herramienta no funciona y parpadea 1 LED.	La batería está descargada.	Cambie la batería y recargue la batería vacía.
	La batería está demasiado caliente o fría.	Asegúrese de que la batería alcance la temperatura de trabajo recomendada.
La herramienta no funciona y parpadean los 4 LED.	La herramienta se ha sobrecargado brevemente.	Suelte el conmutador de control y vuelva a accionarlo.
Sin percusión.	La herramienta está demasiado fría.	Lleve la herramienta a la temperatura de servicio calentándola brevemente sobre la superficie de trabajo y dejándola girar en vacío.
	Interruptor selector de funciones en "Taladrar sin percusión".	Sitúe el interruptor selector de funciones en "Taladrar con martillo".
	La herramienta está ajustada en giro a la izquierda.	Conmute la herramienta a giro a la derecha.
El conmutador de control no se puede pulsar o está bloqueado.	Interruptor de conmutación derecha/izquierda en posición central (posición de transporte).	Pulse el interruptor de conmutación izquierda/derecha hacia la dirección deseada.
El husillo de la herramienta no gira	Se ha sobrepasado la temperatura de servicio autorizada del sistema electrónico de la herramienta.	Deje que la herramienta se enfríe.
	Se ha sobrepasado la temperatura de servicio autorizada de la batería.	Asegúrese de que la batería alcance la temperatura de trabajo recomendada.
	La batería está descargada.	Cambie la batería y recargue la batería vacía.
La herramienta se desconecta automáticamente.	Se activa la protección contra sobrecarga.	Suelte el conmutador de control y púlselo de nuevo a fin de reducir la sobrecarga de la herramienta.

Fallo	Posible causa	Solución
La batería se descarga con mayor rapidez que de costumbre.	Temperatura ambiente demasiado baja.	Deje calentar la batería poco a poco hasta que alcance la temperatura ambiente.
La batería no se encaja con un doble clic audible.	Suciedad en las lengüetas de la batería.	Limpie las lengüetas y enclave la batería. Póngase en contacto con el Servicio Técnico de Hilti si no consigue solucionar el problema.
Calentamiento considerable de la herramienta o la batería.	Error en el sistema eléctrico.	Desconecte la herramienta inmediatamente, retire la batería de la herramienta, observe, deje que se enfríe y póngase en contacto con el Servicio Técnico de Hilti.
	La herramienta está sobrecargada (límites de aplicación superados).	Seleccione el útil adecuado para la aplicación.
La herramienta no se puede desbloquear.	El portaútiles está parcialmente retirado.	Retire el bloqueo de herramienta hasta el tope y extraiga el útil.
La herramienta no se puede retirar.	La herramienta está ajustada en giro a la izquierda.	Conmute la herramienta a giro a la derecha.

10 Reciclaje

PRECAUCIÓN

Una eliminación no reglamentaria del equipamiento puede tener las siguientes consecuencias: si se queman las piezas de plástico se generan gases tóxicos que pueden afectar a las personas; si las pilas están dañadas o se calientan en exceso pueden explotar y ocasionar intoxicaciones, incendios, causticaciones o contaminación del medio ambiente; si se realiza una evacuación imprudente, el equipo puede caer en manos de personas no autorizadas que hagan un uso inadecuado del mismo. Esto generaría el riesgo de provocar lesiones al usuario o a terceros, así como la contaminación del medio ambiente.

PRECAUCIÓN

Deseche inmediatamente las baterías defectuosas. Manténgalas fuera del alcance de los niños. No desmonte ni queme las baterías.

PRECAUCIÓN

Deseche las baterías respetando las disposiciones de su país o devuelva las baterías usadas a Hilti.



Gran parte de las herramientas Hilti están fabricadas con materiales reutilizables. La condición para dicha reutilización es una separación de materiales adecuada. En muchos países, Hilti ya dispone de un servicio de recogida de la herramienta usada. Póngase en contacto con el Servicio de Atención al Cliente de Hilti o con su asesor de ventas.

11 Garantía del fabricante de las herramientas

Si tiene alguna consulta acerca de las condiciones de la garantía, póngase en contacto con su sucursal local de Hilti.

Martelo perfurador a bateria TE 6-A36-AVR

Antes de utilizar a ferramenta, por favor leia atentamente o manual de instruções.

Conserve o manual de instruções sempre junto da ferramenta.

Entregue a ferramenta a outras pessoas apenas juntamente com o manual de instruções.

Índice	Página
1 Informações gerais	37
2 Descrição	38
3 Ferramentas	39
4 Características técnicas	40
5 Normas de segurança	40
6 Antes de iniciar a utilização	43
7 Utilização	44
8 Conservação e manutenção	45
9 Avarias possíveis	46
10 Reciclagem	47
11 Garantia do fabricante - Ferramentas	48

1 Estes números referem-se a figuras. Pode encontrar as figuras no início do manual de instruções. Neste manual de instruções, a palavra «ferramenta» refere-se sempre ao martelo perfurador a bateria TE 6-A36-AVR(03).

Componentes, comandos operativos e elementos de indicação 1

- ① Mandril
- ② Selector de funções
- ③ Comutador de rotação direita/esquerda
- ④ Interruptor on/off
- ⑤ Botão de destravamento da bateria (2 botões)
- ⑥ Bateria
- ⑦ Ligação para módulo de aspiração de pó TE DRS-6-A(01)
- ⑧ Punho
- ⑨ Punho auxiliar com limitador de profundidade

1 Informações gerais

1.1 Indicações de perigo e seu significado

PERIGO

Indica perigo iminente que pode originar acidentes pessoais graves ou até mesmo fatais.

AVISO

Indica uma situação potencialmente perigosa que pode causar graves ferimentos pessoais, até mesmo fatais.

CUIDADO

Indica uma situação potencialmente perigosa que pode originar ferimentos ligeiros ou danos na ferramenta ou noutros materiais.

NOTA

Indica instruções ou outras informações úteis.

1.2 Significado dos pictogramas e outras notas

Sinais de aviso



Perigo geral



Perigo: electricidade



Perigo: substâncias corrosivas

Sinais de obrigação



Use óculos de protecção



Use capacete de segurança



Use protecção auricular



Use luvas de protecção



Use máscara antipoeiras



Leia o manual de instruções antes de utilizar o aparelho.

Símbolos



Recicle os materiais



Perfurar sem percussão



Perfurar de martelo



Volt



Corrente contínua



Velocidade nominal de rotação sem carga



Rotações por minuto



Rotações por minuto



Diâmetro



Rotação para a direita/esquerda

Localização da informação na ferramenta

A referência consta na placa de características, enquanto o número de série figura no lado da carcaça do motor. Anote estes dados no seu manual de instruções e faça referência a estas indicações sempre que necessitar de qualquer peça/acessório para a ferramenta.

Tipo:

Geração: 03

Número de série:

2 Descrição

2.1 Utilização correcta

A TE 6-A36-AVR(03) é um martelo perfurador a bateria de utilização manual e destina-se a apertar e desapertar parafusos, perfurar aço, madeira e alvenaria. Perfura a martelo em betão e alvenaria.

Para este produto utilize unicamente as baterias de íões de lítio **Hilti** da série B 36

Para estas baterias utilize unicamente os carregadores **Hilti** da série C436.

A ferramenta só deve ser utilizada em ambiente seco.

Não utilize a ferramenta onde possa existir risco de incêndio ou explosão.

Materiais nocivos para a saúde (p. ex., amianto) não podem ser trabalhados.

A ferramenta foi concebida para uso profissional e só deve ser utilizada, feita a sua manutenção e reparada por pessoal autorizado e devidamente credenciado. Estas pessoas deverão ser informadas sobre os potenciais perigos que a ferramenta representa. A ferramenta e seu equipamento auxiliar podem representar perigo se usados incorrectamente por pessoas não qualificadas ou se usados para fins diferentes daqueles para os quais foram concebidos.

A ferramenta é apropriada para trabalhar em obra, em oficina, em trabalhos de renovação, reconstrução e construção de raiz.

Não é permitida a modificação ou manipulação da ferramenta.

Não utilize as baterias como fonte de energia para outros consumidores não especificados.

Para evitar ferimentos/danos, use apenas acessórios e equipamento auxiliar Hilti.

Leia as instruções contidas neste manual sobre utilização, conservação e manutenção da ferramenta.

Respeite os requisitos nacionais de segurança no trabalho.

2.2 Mandril

Mandril TE-C CLICK

2.3 Interruptor

Interruptor electrónico (com função de arranque suave)

Selector de funções

Comutador de rotação para a direita/esquerda

2.4 Punhos

Punho auxiliar ajustável com absorção de vibrações e limitador de profundidade

Punho principal com absorção de vibrações

2.5 Dispositivo de protecção

Embraiagem mecânica

2.6 Função adicional da electrónica da ferramenta

A ferramenta está equipada com uma protecção electrónica contra sobrecarga. A ferramenta é desligada automaticamente em caso de sobrecarga. Se se soltar e voltar a pressionar o interruptor on/off, a ferramenta atinge de imediato a potência plena.

Para além disso é controlada a temperatura da electrónica da ferramenta de modo a assegurar uma vida útil maior. Apesar de se pressionar a fundo o interruptor on/off, o fuso não roda em caso de sobreaquecimento do sistema electrónico. A ferramenta pode voltar a ser utilizada logo que a temperatura se encontre novamente na faixa permitida.

2.7 Lubrificação

Lubrificação permanente com massa

2.8 Incluído no fornecimento

- 1 Ferramenta
- 1 Mandril TE-C CLICK
- 1 Punho auxiliar com limitador de profundidade
- 1 Manual de instruções
- 1 Mala Hilti (opcional)
- 1 Pano de limpeza (opcional)
- 1 Massa lubrificante (opcional)

2.9 Estado de carga da bateria de iões de lítio

LED permanentemente aceso	LED a piscar	Estado de carga C
LED 1, 2, 3, 4	-	$C \geq 75\%$
LED 1, 2, 3	-	$50\% \leq C < 75\%$
LED 1, 2	-	$25\% \leq C < 50\%$
LED 1	-	$10\% \leq C < 25\%$
-	LED 1	$C < 10\%$

NOTA

Não é possível a consulta do estado de carga durante e imediatamente a seguir aos trabalhos. Se os LEDs da indicação do estado de carga da bateria estiverem a piscar, leia as indicações no Capítulo 9. Avarias possíveis.

3 Ferramentas

Designação	Descrição
Brocas	$\varnothing 5 \dots 16 \text{ mm } (\frac{3}{16}'' - \frac{5}{8}'')$
Utensílios de assentamento	Topo de encaixe C
Mandril de aperto rápido para brocas para madeira e metais	com encabadouro cilíndrico ou sextavado
Mandril de coroa dentada	com encabadouro cilíndrico ou sextavado
Brocas para madeira	$\varnothing 3 \dots 20 \text{ mm } (\frac{1}{8}'' - \frac{3}{4}'')$
Brocas para madeira (brocas goiva)	$\varnothing \text{ Máx. } 14 \text{ mm (máx. } \frac{9}{16}'')$
Brocas para metal (em aço)	$\varnothing 3 \dots 10 \text{ mm } (\frac{1}{8}'' - \frac{3}{8}'')$

4 Características técnicas

Reservamo-nos o direito de proceder a alterações técnicas!

Ferramenta	TE 6-A36-AVR(03)
Tensão nominal (contínua)	36 V
Peso	4,0 kg (8,82 lb)
Dimensões (C x L x A)	344 mm (13,54") x 94 mm (3,7") x 215 mm (8,46")
Velocidade de perfuração sem percussão	1 010/min
Velocidade de perfuração por martelo	940/min
Velocidade em vazio no modo de perfuração por martelo	1 040/min
Energia de impacto	2,0 J

Outras informações sobre a ferramenta

Mandril	TE-C CLICK
---------	------------

5 Normas de segurança

NOTA

As Normas de segurança no capítulo 5.1 contêm todas as normas gerais de segurança para ferramentas eléctricas, que, de acordo com as normas aplicáveis, devem ser indicadas no manual de instruções. Por conseguinte, podem estar incluídas indicações que não são relevantes para esta ferramenta.

5.1 Normas de segurança gerais para ferramentas eléctricas

a)  **AVISO**

Leia todas as normas de segurança e instruções. O não cumprimento das normas de segurança e instruções pode resultar em choque eléctrico, incêndio e/ou lesões graves. **Guarde bem todas as normas de segurança e instruções para futura referência.** O termo "ferramenta eléctrica" utilizado nas normas de segurança refere-se a ferramentas com ligação à corrente eléctrica (com cabo de alimentação) ou ferramentas a bateria (sem cabo).

5.1.1 Segurança no posto de trabalho

- Mantenha a sua área de trabalho limpa e bem iluminada.** Locais desarrumados ou mal iluminados podem ocasionar acidentes.
- Não utilize a ferramenta eléctrica em ambientes explosivos ou na proximidade de líquidos ou gases inflamáveis.** Ferramentas eléctricas produzem faíscas que podem provocar a ignição de pó e vapores.
- Mantenha crianças e terceiros afastados durante os trabalhos.** Distrações podem conduzir à perda de controlo sobre a ferramenta.

5.1.2 Segurança eléctrica

- A ficha da ferramenta eléctrica deve servir na tomada. A ficha não deve ser modificada de modo algum. Não utilize quaisquer adaptadores com ferramentas eléctricas com ligação terra.** Fichas originais (não modificadas) e tomadas adequadas reduzem o risco de choque eléctrico.
- Evite o contacto do corpo com superfícies ligadas à terra, como, por exemplo, canos, radiadores, fogões e frigoríficos.** Existe um risco elevado de choque eléctrico se o corpo estiver em contacto com a terra.
- As ferramentas eléctricas não devem ser expostas à chuva nem à humidade.** A infiltração de água numa ferramenta eléctrica aumenta o risco de choque eléctrico.
- Não use o cabo para transportar, arrastar ou desligar a ferramenta eléctrica da tomada. Mantenha o cabo afastado de calor, óleo, arestas vivas ou partes em movimento da ferramenta.** Cabos danificados ou emaranhados aumentam o risco de choque eléctrico.
- Quando operar uma ferramenta eléctrica ao ar livre, utilize apenas cabos de extensão próprios para utilização no exterior.** A utilização de cabos de extensão próprios para exterior reduz o risco de choque eléctrico.
- Utilize um disjuntor diferencial se não puder ser evitada a utilização da ferramenta eléctrica em ambiente húmido.** A utilização e um disjuntor diferencial reduz o risco de choque eléctrico.

5.1.3 Segurança física

- Esteja alerta, observe o que está a fazer, e tenha prudência ao trabalhar com uma ferramenta**

eléctrica. Não use qualquer ferramenta eléctrica se estiver cansado ou sob a influência de drogas, álcool ou medicamentos. Um momento de distração ao operar a ferramenta eléctrica pode causar ferimentos graves.

- b) **Use equipamento de segurança. Use sempre óculos de protecção.** Equipamento de segurança, como, por exemplo, máscara antipoeiras, sapatos de segurança antiderrapantes, capacete de segurança ou protecção auricular, de acordo com o tipo e aplicação da ferramenta eléctrica, reduzem o risco de lesões.
- c) **Evite um arranque involuntário. Assegure-se de que a ferramenta eléctrica está desligada antes de a ligar à fonte de alimentação e/ou à bateria, pegar nela ou a transportar.** Transportar a ferramenta eléctrica com o dedo no interruptor ou ligar uma ferramenta à tomada com o interruptor ligado (ON) pode resultar em acidentes.
- d) **Remova quaisquer chaves de ajuste (chaves de fenda), antes de ligar a ferramenta eléctrica.** Um acessório ou chave deixado preso numa parte rotativa da ferramenta pode causar ferimentos.
- e) **Evite posturas corporais desfavoráveis. Mantenha sempre uma posição correcta, em perfeito equilíbrio.** Desta forma será mais fácil manter o controlo sobre a ferramenta eléctrica em situações inesperadas.
- f) **Use roupa apropriada. Não use roupa larga ou jóias. Mantenha o cabelo, vestuário e luvas afastados das peças móveis.** Roupas largas, jóias ou cabelos compridos podem ficar presos nas peças móveis.
- g) **Se poderem ser montados sistemas de aspiração e de recolha de pó, assegure-se de que estão ligados e são utilizados correctamente.** A utilização de um sistema de remoção de pó pode reduzir os perigos relacionados com a exposição ao mesmo.

5.1.4 Utilização e manuseamento da ferramenta eléctrica

- a) **Não sobrecarregue a ferramenta. Use para o seu trabalho a ferramenta eléctrica correcta.** Com a ferramenta eléctrica adequada obterá maior eficiência e segurança se respeitar os seus limites.
- b) **Não utilize a ferramenta eléctrica se o interruptor estiver defeituoso.** Uma ferramenta eléctrica que já não possa ser accionada pelo interruptor é perigosa e deve ser reparada.
- c) **Retire a ficha da tomada e/ou remova a bateria antes de efectuar ajustes na ferramenta, substituir acessórios ou guardar a ferramenta eléctrica.** Esta medida preventiva evita o accionamento accidental da ferramenta eléctrica.
- d) **Guarde ferramentas eléctricas não utilizadas fora do alcance das crianças. Não permita que a ferramenta seja utilizada por pessoas não qualificadas ou que não tenham lido estas instruções.** Ferramentas eléctricas operadas por pessoas não treinadas são perigosas.
- e) **Faça uma manutenção regular das ferramentas eléctricas. Verifique se as partes móveis funcio-**

nam perfeitamente e não emperram ou se há peças quebradas ou danificadas que possam influenciar o funcionamento da ferramenta eléctrica. **Peças danificadas devem ser reparadas antes da utilização da ferramenta.** Muitos acidentes são causados por ferramentas eléctricas com manutenção deficiente.

- f) **Mantenha as ferramentas de corte sempre afiadas e limpas.** Ferramentas de corte com gumes afiados tratadas correctamente emperram menos e são mais fáceis de controlar.
- g) **Utilize a ferramenta eléctrica, acessórios, bits, etc., de acordo com estas instruções. Tome também em consideração as condições de trabalho e o trabalho a ser efectuado.** A utilização da ferramenta eléctrica para outros fins além dos previstos, pode ocasionar situações de perigo.

5.1.5 Utilização e manuseamento da ferramenta a bateria

- a) **Apenas deverá carregar as baterias em carregadores recomendados pelo fabricante.** Num carregador adequado para um determinado tipo de baterias, existe perigo de incêndio se for utilizado com outro tipo de baterias.
- b) **Nas ferramentas eléctricas utilize apenas as baterias previstas.** A utilização de outras baterias pode causar ferimentos e riscos de incêndio.
- c) **Quando a bateria não estiver em uso, mantenha-a afastada de outros objectos de metal, como, por exemplo, cliques, moedas, chaves, pregos, parafusos, ou outros pequenos objectos metálicos que possam ligar em ponte os contactos.** Um curto-circuito entre os contactos da bateria pode causar queimaduras ou um incêndio.
- d) **Utilizações inadequadas podem provocar derrame do líquido da bateria. Evite o contacto com este líquido. No caso de contacto accidental, enxágue imediatamente com água. Se o líquido entrar em contacto com os olhos, procure auxílio médico.** O líquido que escorre da bateria pode provocar irritações ou queimaduras da pele.

5.1.6 Reparação

- a) **A sua ferramenta eléctrica só deve ser reparada por pessoal qualificado e só devem ser utilizadas peças sobressalentes originais.** Isto assegurará que a segurança da ferramenta eléctrica se mantenha.

5.2 Normas de segurança para martelos

- a) **Use protecção auricular.** Ruído em excesso pode levar à perda de audição.
- b) **Utilize os punhos auxiliares fornecidos com a ferramenta.** A perda de controlo da ferramenta pode causar ferimentos.
- c) **Segure a ferramenta apenas pelas áreas isoladas dos punhos quando executar trabalhos onde o acessório pode encontrar cabos eléctricos encobertos.** O contacto com um cabo sob tensão tam-

bém pode colocar partes metálicas da ferramenta sob tensão e causar um choque eléctrico.

5.3 Normas de segurança adicionais

5.3.1 Segurança física

- a) **Segure a ferramenta sempre com as duas mãos nos punhos previstos para o efeito. Mantenha os punhos secos, limpos e isentos de óleos e massas.**
- b) **Se a ferramenta for utilizada sem o sistema de remoção de pó, é indispensável colocar uma máscara antipoeiras.**
- c) **Faça pausas para relaxar os músculos e melhorar a circulação sanguínea nas mãos.**
- d) **Evite o contacto com peças rotativas. Ligue a ferramenta apenas quando estiver no local de trabalho. O contacto com peças rotativas, nomeadamente brocas, discos, lâminas, etc. pode causar ferimentos.**
- e) **Active o dispositivo de bloqueio (comutador ESQ/DIR em posição central) quando guardar ou transportar a ferramenta.**
- f) **Ao efectuar o rearranque após desactivação da ferramenta pela protecção electrónica contra sobrecarga, deve ter-se atenção para segurar a ferramenta com as duas mãos nos punhos previstos para o efeito.**
- g) **Deve ensinar-se às crianças que não podem brincar com a ferramenta.**
- h) **A ferramenta não está concebida para a utilização por crianças ou pessoas debilitadas sem formação.**
- i) **AVISO: Alguns tipos de pó que são produzidos ao desbastar, rebarbar, cortar e furar, contêm agentes químicos conhecidos pelos seus efeitos cancerígenos e teratogénicos, que podem provocar esterilidade e danos permanentes das vias respiratórias ou outros. Alguns desses agentes químicos são chumbo contido em tinta de chumbo, quartzo cristalino proveniente de tijolos, betão, alvenaria ou pedras naturais, ou, também, arsénico e crómio provenientes de madeira de construção tratada quimicamente. A perigosidade para si varia, consoante a frequência com que efectua estes trabalhos. Para minimizar a exposição a estes agentes químicos, os utilizadores e terceiros devem trabalhar num espaço bem ventilado, bem como usar equipamentos de segurança apropriados. Use uma máscara antipoeiras adequada para determinados pós, que possa filtrar partículas microscópicas e manter o pó afastado da face e do corpo. Evite o contacto permanente com pó. Use roupa de protecção e lave a área da pele afectada com água e sabão. A absorção de pó através da boca, dos olhos ou o contacto permanente dos pós com a pele pode promover a absorção de agentes químicos com risco de efeitos graves para a saúde.**

5.3.2 Utilização e manutenção de ferramentas eléctricas

- a) **Para maior segurança e porque assim fica com ambas as mãos livres para segurar a máquina, use grampos ou um torno para segurar peças soltas.**
- b) **Verifique se os acessórios utilizados são compatíveis com o sistema de encaixe e se estão correctamente encaixados.**

5.3.3 Utilização e manutenção de ferramentas com bateria

- a) **Antes de introduzir a bateria, certifique-se de que a ferramenta está desligada.** A introdução de uma bateria numa ferramenta eléctrica ligada pode causar acidentes.
- b) **Observe as regras específicas sobre transporte, armazenagem e utilização de baterias de iões de lítio.**
- c) **Mantenha as baterias afastadas de temperaturas elevadas e do fogo.** Existe risco de explosão.
- d) **As baterias não podem ser desmanteladas, esmagadas, aquecidas acima dos 80 °C ou incineradas.** Caso contrário, existe risco de fogo, explosão ou queimadura por ácido cáustico.
- e) **Utilize exclusivamente baterias aprovadas para a respectiva ferramenta.** A utilização de baterias não autorizadas ou a utilização das baterias para áreas de aplicação não autorizadas pode originar risco de fogo e explosão.
- f) **Baterias danificadas (por exemplo, com fissuras, peças partidas, contactos dobrados, empurrados para trás e/ou puxados para fora) não podem ser carregadas nem continuar a ser utilizadas.**
- g) **Evite curto-circuitar os terminais da bateria. Antes de encaixar a bateria na ferramenta, certifique-se de que os contactos da bateria e na ferramenta estão livres de corpos estranhos.** Se os contactos de uma bateria forem curto-circuitados, existe risco de incêndio, explosão e de corrosão.
- h) **Evite a entrada de humidade.** A humidade infiltrada pode provocar um curto-circuito e originar queimaduras ou um incêndio.
- i) **Se a bateria estiver demasiado quente ao toque, poderá estar avariada. Coloque a ferramenta num local que não constitua risco de incêndio suficientemente afastado de materiais combustíveis, onde possa ser vigiada e deixe-a arrefecer. Contacte o Centro de Assistência Técnica Hilti depois de a bateria ter arrefecido.**

5.3.4 Segurança eléctrica

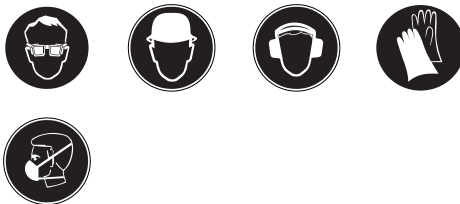
Antes de iniciar os trabalhos, verifique o local de trabalho relativamente a cabos eléctricos encobertos, bem como tubos de gás e água, p.ex., com um detector de metais. Partes metálicas externas da ferramenta podem transformar-se em condutores de corrente

se, p.ex., uma linha eléctrica for danificada inadvertidamente. Isto representa um sério perigo de choque eléctrico.

5.3.5 Local de trabalho

- Assegure-se de que o local de trabalho está bem iluminado.**
- Assegure-se de que o local de trabalho está bem ventilado.** Áreas de trabalho mal ventiladas podem suscitar problemas de saúde devido à inalação de pó.
- Ao realizar trabalhos de perfuração, veda a área que se encontra do lado oposto dos trabalhos.** Restos de demolição podem desprender-se e/ou cair e ferir outras pessoas.

5.3.6 Equipamento de protecção pessoal



O utilizador e restantes pessoas que se encontrem na proximidade da ferramenta devem usar óculos de protecção adequados e aprovados em conformidade com a norma ANSI Z87.1, capacete de segurança, protecção auricular, luvas de protecção e máscara antipoeiras.

pt

6 Antes de iniciar a utilização



6.1 Utilização e manutenção das baterias

NOTA

A baixas temperaturas, a performance da bateria diminui consideravelmente. Não trabalhe com a bateria até a ferramenta parar. Mude atempadamente para a segunda bateria. Recarregue-a logo de seguida para que esteja pronta para a próxima substituição.

Guarde a bateria em local fresco e seco. Nunca guarde a bateria em locais em que esta possa estar sujeita a exposição solar, em cima de radiadores ou por trás de um vidro. As baterias devem ser recicladas de forma ecológica e segura no fim da sua vida útil.

6.2 Carregar a bateria



PERIGO

Use apenas as baterias e carregadores Hilti previstos que estão indicados em "Acessórios".

6.2.1 Carga inicial de uma bateria nova

As baterias devem ser completamente carregadas antes da primeira utilização.

6.2.2 Carga de uma bateria já usada.

Certifique-se de que as superfícies exteriores da bateria estão limpas e secas antes de a inserir no carregador. Antes de iniciar a carga, leia o manual de instruções do carregador e o capítulo 2.10 Estado de carga da bateria de íões Li deste manual de instruções.

Baterias de íões de lítio estão operacionais em qualquer momento, mesmo estando parcialmente carregadas. O progresso de carregamento é-lhe indicado pelos LEDs (ver manual de instruções do carregador).

6.3 Encaixar a bateria 2

CUIDADO

Antes de introduzir a bateria, certifique-se de que a ferramenta está desligada e o dispositivo de bloqueio activado (comutador de rotação para a direita/esquerda em posição central). Use apenas as baterias Hilti B 36/3.0 Li-Ion, B 36/2.4 Li-Ion, B 36/2.6 Li-Ion, B 36/3.3 Li-Ion e B 36/3.9 Li-Ion previstas para a sua ferramenta.

- Introduza a bateria na ferramenta a partir de trás até fazer um duplo clique audível.
- CUIDADO Uma bateria mal encaixada pode causar acidentes.**
Verifique se a bateria esta correctamente encaixada na ferramenta.

6.4 Retirar a bateria 3

- Pressione ambos os botões de destravamento.
- Retire a bateria, puxando-a para trás.

6.5 Transporte e armazenamento de baterias

Puxe a bateria da posição de travamento (posição de trabalho) para a primeira posição de engate (posição de transporte).

Ao enviar as baterias (transporte rodoviário, ferroviário, marítimo ou aéreo), observe as normas de transporte nacionais e internacionais em vigor.

6.6 Colocar o punho auxiliar 4

- Coloque o comutador de rotação na posição central ou retire a bateria da ferramenta.

- Abra a abraçadeira de aperto do punho auxiliar, rodando o punho.
- Para evitar o risco de ferimentos, remova o limitador de profundidade do punho auxiliar.
- Faça deslizar a abraçadeira sobre o mandril, na direcção da parte frontal da ferramenta.
- Regule a posição do punho.
- Coloque o limitador de profundidade e aperte bem o punho rodando-o.

7 Utilização



pt

CUIDADO

Caso a broca encrave, a ferramenta rodará sobre o seu próprio eixo. **Utilize sempre a ferramenta com o punho auxiliar e segure-a com as duas mãos, aplicando alguma força no sentido oposto à rotação da broca para que, caso esta encrave, a embraiagem dispare. Use grampos ou o torno para segurar peças soltas.**

7.1 Preparação da ferramenta

7.1.1 Colocar a broca

CUIDADO

Use luvas de protecção para a troca do acessório.

- Coloque o comutador de rotação na posição central ou retire a bateria da ferramenta.
- Verifique se o encabadouro da broca está limpo e ligeiramente lubrificado. Caso necessário, limpe e lubrifique o encabadouro.
- Verifique se o vedante do protector de pó está limpo e sem defeito. Caso necessário, limpe a capa protectora contra pó ou, se o vedante estiver danificado, substitua a capa protectora contra pó (ver o capítulo "Conservação e manutenção").
- Empurre a broca para dentro do mandril aplicando alguma pressão e rode-a de forma a que esta encaixe nas ranhuras guia. Rode a patilha do mandril.
- Empurre a broca para dentro do mandril até que esta encaixe de forma audível.
- Tente puxar a broca para fora do mandril, verificando assim se esta está bem fixa.

7.1.2 Ajustar o limitador de profundidade / punho auxiliar

- Abra a abraçadeira de aperto do punho auxiliar, rodando o punho.
- Regule a posição do punho.
- Ajuste o limitador à profundidade de perfuração desejada.
- Aperte o punho rodando-o. Ao mesmo tempo é fixado o limitador de profundidade.

7.1.3 Retirar a broca

CUIDADO

Ao efectuar a troca de acessórios, calce luvas de protecção, pois estes aquecem durante a utilização.

- Coloque o comutador de rotação na posição central ou retire a bateria da ferramenta.
- Abra o mandril, puxando para fora o casquilho de bloqueio.
- Puxe a broca para fora do mandril.

7.1.4 Levantar o mandril

CUIDADO

Para evitar o risco de ferimentos, remova o limitador de profundidade do punho auxiliar e o acessório do mandril.

- Coloque o comutador de rotação na posição central ou retire a bateria da ferramenta.
- Puxe o anel na base do mandril para a frente e segure-o nesta posição.
- Retire o mandril pela parte da frente da ferramenta.

7.1.5 Colocar o mandril

CUIDADO

Para evitar o risco de ferimentos, remova o limitador de profundidade do punho auxiliar e o acessório do mandril.

- Coloque o comutador de rotação na posição central ou retire a bateria da ferramenta.
- Pegue o anel na base do mandril, puxe-o para a frente e segure-o nesta posição.
- Empurre o mandril para dentro do tubo guia da ferramenta e liberte o anel.
- Rode o mandril até que este encaixe de forma audível.

7.2 Utilização



CUIDADO

O tratamento do material base pode fragmentá-lo. **Use óculos de protecção, luvas de protecção e máscara antipoeiras quando o sistema de aspiração de poeira não for utilizado.** Material fragmentado pode causar ferimentos no corpo e nos olhos.

CUIDADO

No processo de trabalho é produzido ruído. **Use protecção auricular.** Ruído em excesso pode levar à perda de audição.

7.2.1 Quando trabalhar em locais com baixas temperaturas:

NOTA

O mecanismo de percussão só funciona quando a ferramenta atinge uma temperatura de funcionamento mínima.

Coloque a broca em contacto com o material base e permita que esta "trabalhe em falso" até atingir essa temperatura mínima. Se necessário, repita este procedimento até que o mecanismo de percussão funcione.

7.2.2 Rotação para a direita/esquerda

NOTA

O sentido de rotação do veio da ferramenta pode ser seleccionado através do comutador de rotação. Um dispositivo de bloqueio impede a mudança do sentido de rotação enquanto o motor está a funcionar. Na posição central, o interruptor on/off encontra-se bloqueado.

Para rotação para a direita, pressione o "comutador de rotação para a direita/esquerda" na parte lateral da ferramenta, com a seta no sentido do mandril.

Para rotação para a esquerda, pressione o "comutador de rotação para a direita/esquerda" na parte lateral da ferramenta, com a seta no sentido do punho.

Empurre o comutador de rotação para a posição desejada.

7.2.3 Perfurar sem percussão

1. Antes de iniciar a perfuração, coloque o comutador de rotação para a direita/esquerda na posição para a "direita".
2. Rode o selector de funções para a posição "Perfurar sem percussão", até engatar. O selector de funções não pode ser activado com a ferramenta em funcionamento.
3. Coloque o punho auxiliar na posição desejada e verifique se está correctamente fixo.
4. Insira a bateria.
5. Coloque a ponta da broca no local onde será efectuado o furo.
6. Pressione o interruptor lentamente. Inicie o furo a baixa velocidade até que a broca esteja centrada.

7. Pressione energicamente o interruptor para aumentar a velocidade de perfuração.
8. Para conseguir o avanço de perfuração ideal, aplique uma força adequada sobre o material base.

7.2.4 Perfurar de martelo

1. Antes de iniciar a perfuração, coloque o comutador de rotação para a direita/esquerda na posição para a "direita".
2. Rode o selector de funções para a posição "Perfurar de martelo", até engatar. O selector de funções não pode ser activado com a ferramenta em funcionamento.
3. Coloque o punho auxiliar na posição desejada e verifique se está correctamente fixo.
4. Insira a bateria.
5. Coloque a ponta da broca no local onde será efectuado o furo.
6. Pressione o interruptor lentamente. Inicie o furo a baixa velocidade até que a broca esteja centrada.
7. Pressione energicamente o interruptor para aumentar a velocidade de perfuração.
8. Para conseguir o avanço de perfuração ideal, aplique uma força adequada sobre o material base.
9. Quando efectuar um atravessamento, reduza a velocidade pouco antes de a broca varar a peça; caso contrário, o material pode estalar.

7.2.5 Leitura da indicação do estado de carga na bateria de iões de lítio

NOTA

Não é possível a consulta do estado da carga durante os trabalhos. O piscar do LED 1 indica uma bateria completamente descarregada ou excessivamente quente. Neste caso, será necessário encaixar a bateria no carregador. Uma ferramenta sobrecarregada ou sobreaquecida é indicada através do piscar de todos os 4 LEDs.

A bateria de iões de lítio dispõe de uma indicação do estado de carga. O estado de carga é representado, durante o processo de carga, pelos LEDs na bateria (consultar o manual de instruções do carregador). No estado de repouso, o estado de carga é indicado durante três segundos através dos quatro LEDs, depois de se pressionar um dos botões de destravamento na bateria ou ao encaixar a bateria na ferramenta.

Ver capítulo: 2.9 Estado de carga da bateria de iões de lítio

8 Conservação e manutenção

CUIDADO

Antes de iniciar os trabalhos de limpeza, retire a bateria da ferramenta, evitando assim um arranque inadvertido!

8.1 Manutenção dos acessórios

Verifique se o encabadouro da broca está limpo e ligeiramente lubrificado. Caso necessário, limpe e lubrifique o encabadouro.

8.2 Manutenção da ferramenta

CUIDADO

Mantenha a ferramenta, particularmente as superfícies do punho, seca, limpa e isenta de óleos e massas. Não utilize produtos de limpeza que contenham silicone.

As saídas de ar devem estar sempre limpas e desobstruídas! Limpe as saídas de ar cuidadosamente com uma

escova seca. Evite a penetração de corpos estranhos no interior da ferramenta. Limpe regularmente o exterior da ferramenta com um pano ligeiramente húmido. Não utilize qualquer spray, sistema de vapor ou água, pois poderá afectar negativamente a parte eléctrica da ferramenta.

8.3 Limpeza e substituição da capa protectora contra pó

Limpe periodicamente a capa de protecção contra pó no mandril com um pano limpo e seco. Limpe o vedante e unte-o com uma leve camada de massa Hilti. Substituir a capa de protecção contra pó se o vedante estiver danificado. Introduzir uma chave de fenda lateralmente sob a capa de protecção contra pó e extraí-la para a frente. Limpar a superfície de apoio e montar nova capa. Pressionar vigorosamente até que ela se encaixe.

8.4 Conservação das baterias de íões de lítio

Evite a entrada de humidade.

A bateria deve ser completamente carregada antes da primeira utilização.

Para conseguir a vida útil máxima das baterias, desligue a ferramenta logo que seja notada uma quebra no desempenho da bateria.

NOTA

Se se mantiver o funcionamento, este será automaticamente parado antes que a descarga possa danificar as células.

Carregue as baterias com os carregadores aprovados pela Hilti para baterias de íões de lítio.

NOTA

- Não é necessário efectuar um condicionamento das baterias, como acontece nas baterias NiCd ou NiMH.
- Uma interrupção do processo de carregamento não condiciona a vida útil das baterias.
- O carregamento pode ser iniciado a qualquer momento, sem condicionar a vida útil. Não existe um efeito de memória como nas baterias NiCd ou NiMH.
- A melhor forma de guardar as baterias é completamente carregadas em local fresco e seco. Deixar as baterias expostas a temperaturas ambientes elevadas (por trás de um vidro) é inadequado, condiciona a sua vida útil e aumenta o ritmo de descarga espontânea das células.
- Se a bateria não voltar a carregar completamente, poderá ter perdido capacidade devido a envelhecimento ou sobrecarga. Ainda é possível trabalhar com esta bateria. No entanto, deverá ser brevemente substituída por uma nova.

8.5 Manutenção

AVISO

As reparações na parte eléctrica apenas podem ser executadas por um electricista especializado.

Examine periodicamente todos os componentes e partes externas da ferramenta prevenindo assim o seu perfeito funcionamento. Não ligue a ferramenta se houver partes danificadas, incompletas ou se os comandos operativos não estiverem a funcionar correctamente. Nesse caso, mande reparar a ferramenta num Centro de Assistência Técnica Hilti.

8.6 Verificação da ferramenta após manutenção

Após cada manutenção da ferramenta, verifique se todos os dispositivos de segurança estão correctamente montados e perfeitamente operacionais.

9 Avarias possíveis

Falha	Causa possível	Solução
A ferramenta não funciona.	A bateria está descarregada ou não está correctamente encaixada.	O encaixe da bateria deve ser audível ("duplo clique") ou a bateria deve ser recarregada.
	Avaria eléctrica.	Retire a bateria da ferramenta e contacte um Centro de Assistência Técnica Hilti.
	Bateria demasiado quente ou demasiado fria.	Deixe que a bateria atinja a temperatura de funcionamento recomendada.
A ferramenta não funciona e pisca 1 LED.	A bateria está descarregada.	Substitua a bateria e carregue a bateria descarregada.
	Bateria demasiado quente ou demasiado fria.	Deixe que a bateria atinja a temperatura de funcionamento recomendada.
A ferramenta não funciona e piscam todos os 4 LEDs.	Ferramenta temporariamente sobrecarregada.	Solte e volte a pressionar o interruptor on/off.

Falha	Causa possível	Solução
Não tem percussão.	A ferramenta ainda não aqueceu.	Deixe que a ferramenta aqueça até à temperatura de funcionamento, colocando-a brevemente sobre a base e deixando-a trabalhar em vazio.
	Selector de funções está na posição "Perfurar sem percussão".	Comute o selector de funções para "Perfurar de martelo".
	O comutador está na posição "Rotação para a esquerda".	Coloque o comutador na posição "Rotação para a direita".
Não é possível pressionar o interruptor on/off (está bloqueado).	O comutador de rotação para a direita/esquerda está em posição central (posição de transporte)	Pressione o comutador de rotação para a esquerda ou a direita.
Fuso da ferramenta não roda.	Foi excedida a temperatura de funcionamento permitida da electrónica da ferramenta.	Deixe a ferramenta arrefecer.
	Foi excedida a temperatura de funcionamento permitida da bateria.	Deixe que a bateria atinja a temperatura de funcionamento recomendada.
	A bateria está descarregada.	Substitua a bateria e carregue a bateria descarregada.
A ferramenta desliga-se automaticamente.	Protecção contra sobrecarga reage.	Solte o interruptor on/off e accione-o novamente, reduza a carga da ferramenta.
A bateria descarrega-se mais depressa do que habitualmente.	Temperatura ambiente muito baixa.	Deixar a bateria aquecer lentamente até à temperatura ambiente.
A bateria não encaixa com duplo clique audível.	Patilhas de fixação da bateria sujas.	Limpe as patilhas de fixação e encaixar a bateria. Contacte um Centro de Assistência Técnica Hilti caso o problema se mantenha.
Ferramenta ou bateria aquece demasiado.	Avaria eléctrica.	Desligue imediatamente a ferramenta, retire a bateria da ferramenta, observe, deixe arrefecer e contacte um Centro de Assistência Técnica Hilti.
	Sobrecarga por ter excedido os limites da ferramenta.	Seleção correcta da ferramenta em função da utilização.
O acessório ficou preso no mandril.	O mandril não está completamente puxado para trás.	Puxe o casquilho de bloqueio o máximo possível para trás e retire o acessório.
O acessório não avança.	O comutador está na posição "Rotação para a esquerda".	Coloque o comutador na posição "Rotação para a direita".

10 Reciclagem

CUIDADO

A reciclagem incorrecta do equipamento pode ter graves consequências: a combustão de componentes plásticos pode gerar fumos tóxicos que representam um perigo para a saúde. Se danificadas ou expostas a temperaturas muito elevadas, as baterias podem explodir, originando queimaduras por ácido, intoxicação e poluição ambiental. Uma reciclagem incorrecta (ou ausência desta) permite que pessoas não autorizadas/habilitadas utilizem o equipamento para fins diferentes daqueles para os quais foi concebido. Consequentemente, podem ferir-se a si próprias ou a terceiros ou causar poluição ambiental.

CUIDADO

Recicle imediatamente as baterias avariadas. Mantenha-as afastadas do alcance das crianças. Não desmantele nem incinere as baterias.

CUIDADO

A reciclagem das baterias deve ser feita de acordo com os regulamentos nacionais/locais em vigor. A Hilti recebe baterias usadas para reciclagem.



As ferramentas Hilti são, em grande parte, fabricadas com materiais recicláveis. Um pré-requisito para a reciclagem é que esses materiais sejam devidamente separados. A Hilti já iniciou em muitos países a recolha da sua ferramenta usada para fins de reaproveitamento. Para mais informações dirija-se ao Serviço de Clientes Hilti ou ao seu vendedor.

11 Garantia do fabricante - Ferramentas

pt

Em caso de dúvidas quanto às condições de garantia, contacte o seu parceiro HILTI local.



Hilti Corporation

LI-9494 Schaan

Tel.: +423/234 21 11

Fax: +423/234 29 65

www.hilti.com

Hilti = registered trademark of Hilti Corp., Schaan
Pos. 3 | 20160121

