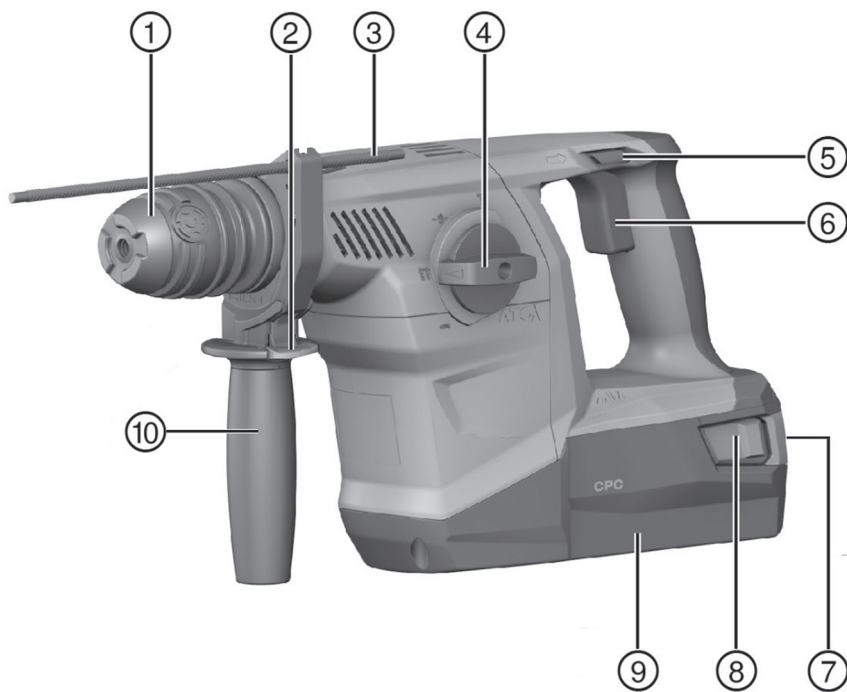


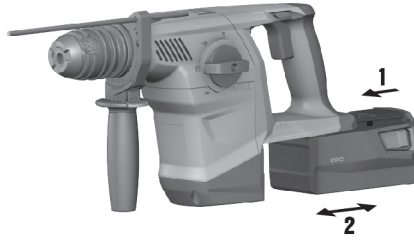


TE 30-A36

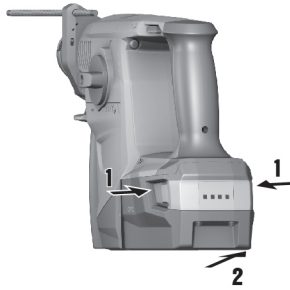
English	1
Dansk	11
Svenska	22
Norsk	33
Suomi	44
Türkçe	55
Srpski	66
عربي	78
Latviešu	90
Lietuvių	101
Eesti	112
日本語	123
한국어	134
繁體中文	145
中文	155



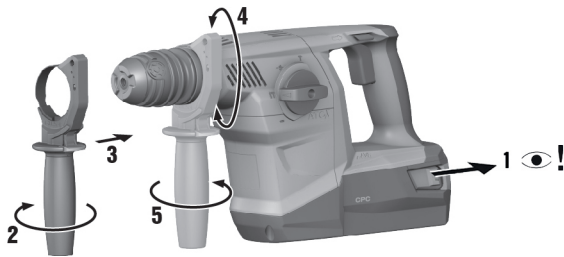
2



3

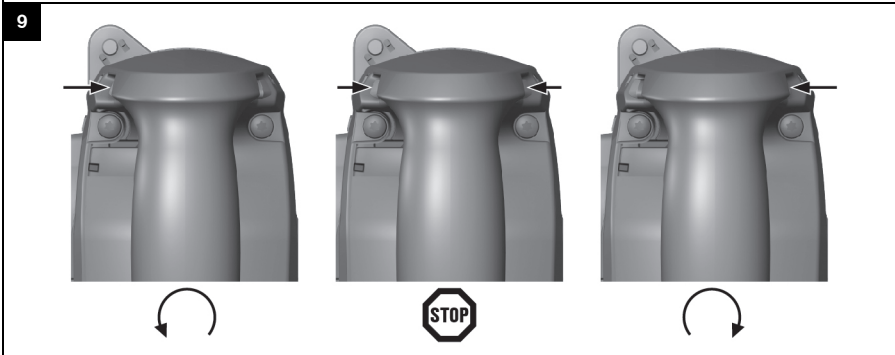
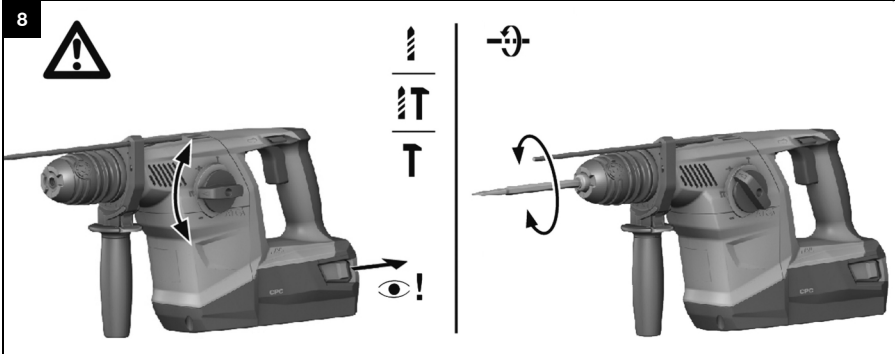
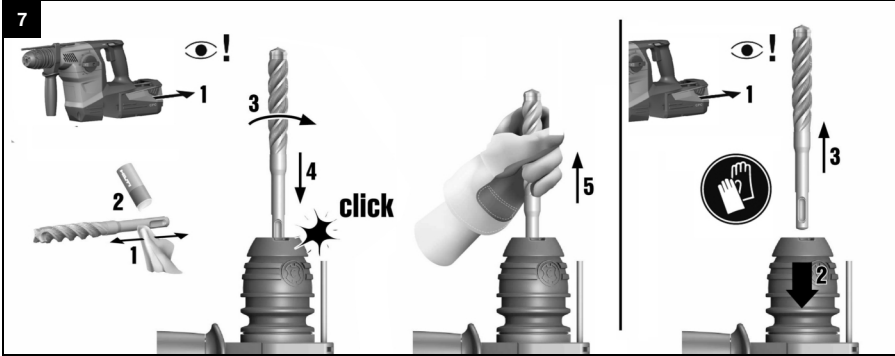
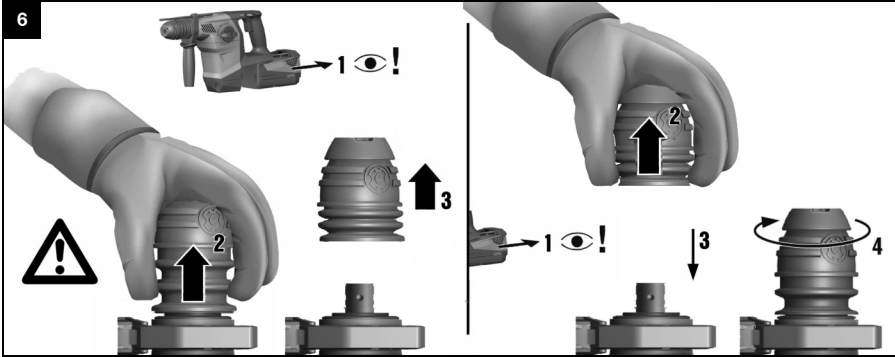


4



5





TE 30-A36

en	Original operating instructions	1
da	Original brugsanvisning	11
sv	Originalbruksanvisning	22
no	Original bruksanvisning	33
fi	Alkuperäiset ohjeet	44
tr	Orijinal kullanım kılavuzu	55
sr	Originalno uputstvo za upotrebu	66
ar	دليل الاستعمال الأصلي	78
lv	Orģinālā lietošanas instrukcija	90
lt	Originali naudojimo instrukcija	101
et	Originaalkasutusjuhend	112
ja	オリジナル取扱説明書	123
ko	오리지널 사용 설명서	134
zh	原始操作說明	145
cn	原版操作说明	155

Original operating instructions

1 Information about the operating instructions

1.1 About these operating instructions

- Read these operating instructions before the product is used or operated for the first time. This is a prerequisite for safe, trouble-free handling and use of the product.
- Observe the safety instructions and warnings in these operating instructions and on the product.
- Always keep the operating instructions with the product and make sure that the product is accompanied by these operating instructions only, when the product is given to other persons.

1.2 Explanation of symbols

1.2.1 Warnings

Warnings alert persons to hazards that occur when handling or using the product. The following signal words are used:

DANGER

DANGER !

- ▶ Draws attention to imminent danger that will lead to serious personal injury or fatality.

WARNING

WARNING !

- ▶ Draws attention to a potential threat of danger that can lead to serious injury or fatality.

CAUTION

CAUTION !

- ▶ Draws attention to a potentially dangerous situation that could lead to personal injury or damage to the equipment or other property.

1.2.2 Symbols in the operating instructions

The following symbols are used in these operating instructions:

	Comply with the operating instructions
	Instructions for use and other useful information
	Dealing with recyclable materials
	Do not dispose of electric equipment and batteries as household waste
	Hilti Li-ion battery
	Hilti charger

1.2.3 Symbols in illustrations

The following symbols are used in illustrations:

	These numbers refer to the illustrations at the beginning of these operating instructions.
3	The numbers in illustrations refer to important work steps or to components important for the work steps. In the text, the corresponding numbers draw attention to these work steps or components, e.g. (3) .
	Item reference numbers are used in the overview illustration and refer to the numbers used in the key in the product overview section.
	This symbol is intended to draw your special attention to certain points for handling the product.



1.3 Product-dependent symbols

1.3.1 Symbols on the product

The following symbols are used on the product:

	Drilling without hammer action
	Drilling with hammer action (hammer drilling)
	Chiseling
	Chisel positioning
	Forward / reverse
	Diameter
n_0	Rated speed under no load
/min	Revolutions per minute
	The product supports wireless data transmission compatible with iOS and Android platforms.
	Hilti Li-ion battery type series used. Observe the information given in the section headed Intended use .
Li-ion	Li-ion battery
	Never use the battery as a striking tool.
	Do not drop the battery. Never use a battery that has suffered an impact or is damaged in any other way.

1.4 Product information

products are designed for professional users and only trained, authorized personnel are permitted to operate, service and maintain the products. This personnel must be specifically informed about the possible hazards. The product and its ancillary equipment can present hazards if used incorrectly by untrained personnel or if used not in accordance with the intended use.

The type designation and serial number are printed on the rating plate.

- ▶ Write down the serial number in the table below. You will be required to state the product details when contacting Hilti Service or your local Hilti organization to inquire about the product.

Product information

Combiammer	TE 30-A36
Generation	03
Serial no.	

1.5 Declaration of conformity

We declare, on our sole responsibility, that the product described here complies with the applicable directives and standards. A copy of the declaration of conformity can be found at the end of this documentation.

The technical documentation is filed here:

Hilti Entwicklungsgesellschaft mbH | Tool Certification | Hiltistrasse 6 | 86916 Kaufering, Germany

2 Safety

2.1 General power tool safety warnings

⚠ WARNING Read all safety warnings, instructions, illustrations and specifications provided with this power tool. Failure to follow all instructions listed below may result in electric shock, fire and/or serious injury. **Save all warnings and instructions for future reference.**



The term "power tool" in the warnings refers to your mains-operated (corded) power tool or battery-operated (cordless) power tool.

Work area safety

- ▶ **Keep work area clean and well lit.** Cluttered or dark areas invite accidents.
- ▶ **Do not operate power tools in explosive atmospheres, such as in the presence of flammable liquids, gases or dust.** Power tools create sparks which may ignite the dust or fumes.
- ▶ **Keep children and bystanders away while operating a power tool.** Distractions can cause you to lose control.

Electrical safety

- ▶ **Power tool plugs must match the outlet. Never modify the plug in any way. Do not use any adapter plugs with earthed (grounded) power tools.** Unmodified plugs and matching outlets will reduce risk of electric shock.
- ▶ **Avoid body contact with earthed or grounded surfaces, such as pipes, radiators, ranges and refrigerators.** There is an increased risk of electric shock if your body is earthed or grounded.
- ▶ **Do not expose power tools to rain or wet conditions.** Water entering a power tool will increase the risk of electric shock.
- ▶ **Do not abuse the cord. Never use the cord for carrying, pulling or unplugging the power tool. Keep cord away from heat, oil, sharp edges or moving parts.** Damaged or entangled cords increase the risk of electric shock.
- ▶ **When operating a power tool outdoors, use an extension cord suitable for outdoor use.** Use of a cord suitable for outdoor use reduces the risk of electric shock.
- ▶ **If operating a power tool in a damp location is unavoidable, use a residual current device (RCD) protected supply.** Use of an RCD reduces the risk of electric shock.

Personal safety

- ▶ **Stay alert, watch what you are doing and use common sense when operating a power tool. Do not use a power tool while you are tired or under the influence of drugs, alcohol or medication.** A moment of inattention while operating power tools may result in serious personal injury.
- ▶ **Use personal protective equipment. Always wear eye protection.** Protective equipment such as a dust mask, non-skid safety shoes, hard hat or hearing protection used for appropriate conditions will reduce personal injuries.
- ▶ **Prevent unintentional starting. Ensure the switch is in the off-position before connecting to power source and/or battery pack, picking up or carrying the tool.** Carrying power tools with your finger on the switch or energising power tools that have the switch on invites accidents.
- ▶ **Remove any adjusting key or wrench before turning the power tool on.** A wrench or a key left attached to a rotating part of the power tool may result in personal injury.
- ▶ **Do not overreach. Keep proper footing and balance at all times.** This enables better control of the power tool in unexpected situations.
- ▶ **Dress properly. Do not wear loose clothing or jewellery. Keep your hair and clothing away from moving parts.** Loose clothes, jewellery or long hair can be caught in moving parts.
- ▶ **If devices are provided for the connection of dust extraction and collection facilities, ensure these are connected and properly used.** Use of dust collection can reduce dust-related hazards.
- ▶ **Do not let familiarity gained from frequent use of tools allow you to become complacent and ignore tool safety principles.** A careless action can cause severe injury within a fraction of a second.

Power tool use and care

- ▶ **Do not force the power tool. Use the correct power tool for your application.** The correct power tool will do the job better and safer at the rate for which it was designed.
- ▶ **Do not use the power tool if the switch does not turn it on and off.** Any power tool that cannot be controlled with the switch is dangerous and must be repaired.
- ▶ **Disconnect the plug from the power source and/or remove the battery pack, if detachable, from the power tool before making any adjustments, changing accessories, or storing power tools.** Such preventive safety measures reduce the risk of starting the power tool accidentally.
- ▶ **Store idle power tools out of the reach of children and do not allow persons unfamiliar with the power tool or these instructions to operate the power tool.** Power tools are dangerous in the hands of untrained users.
- ▶ **Maintain power tools and accessories. Check for misalignment or binding of moving parts, breakage of parts and any other condition that may affect the power tool's operation. If damaged, have the power tool repaired before use.** Many accidents are caused by poorly maintained power tools.



- ▶ **Keep cutting tools sharp and clean.** Properly maintained cutting tools with sharp cutting edges are less likely to bind and are easier to control.
- ▶ **Use the power tool, accessories and tool bits etc. in accordance with these instructions, taking into account the working conditions and the work to be performed.** Use of the power tool for operations different from those intended could result in a hazardous situation.
- ▶ **Keep handles and grasping surfaces dry, clean and free from oil and grease.** Slippery handles and grasping surfaces do not allow for safe handling and control of the tool in unexpected situations.

Battery tool use and care

- ▶ **Recharge only with the charger specified by the manufacturer.** A charger that is suitable for one type of battery pack may create a risk of fire when used with another battery pack.
- ▶ **Use power tools only with specifically designated battery packs.** Use of any other battery packs may create a risk of injury and fire.
- ▶ **When battery pack is not in use, keep it away from other metal objects, like paper clips, coins, keys, nails, screws or other small metal objects, that can make a connection from one terminal to another.** Shorting the battery terminals together may cause burns or a fire.
- ▶ **Under abusive conditions, liquid may be ejected from the battery; avoid contact. If contact accidentally occurs, flush with water. If liquid contacts eyes, additionally seek medical help.** Liquid ejected from the battery may cause irritation or burns.
- ▶ **Do not use a battery pack or tool that is damaged or modified.** Damaged or modified batteries may exhibit unpredictable behaviour resulting in fire, explosion or risk of injury.
- ▶ **Do not expose a battery pack or tool to fire or excessive temperature.** Exposure to fire or temperature above 130° C (265 °F) may cause explosion.
- ▶ **Follow all charging instructions and do not charge the battery pack or tool outside the temperature range specified in the instructions.** Charging improperly or at temperatures outside the specified range may damage the battery and increase the risk of fire.

Service

- ▶ **Have your power tool serviced by a qualified repair person using only identical replacement parts.** This will ensure that the safety of the power tool is maintained.
- ▶ **Never service damaged battery packs.** Service of battery packs should only be performed by the manufacturer or authorized service providers.

2.2 Hammer safety warnings

Safety instructions for all operations

- ▶ **Wear ear protectors.** Exposure to noise can cause hearing loss.
- ▶ **Use auxiliary handle(s), if supplied with the tool.** Loss of control can cause personal injury.
- ▶ **Hold the power tool by insulated gripping surfaces, when performing an operation where the cutting accessory may contact hidden wiring.** Cutting accessory contacting a "live" wire may make exposed metal parts of the power tool "live" and could give the operator an electric shock.

Safety instructions when using long drill bits with rotary hammers

- ▶ **Always start drilling at low speed and with the bit tip in contact with the workpiece.** At higher speeds, the bit is likely to bend if allowed to rotate freely without contacting the workpiece, resulting in personal injury.
- ▶ **Apply pressure only in direct line with the bit and do not apply excessive pressure.** Bits can bend causing breakage or loss of control, resulting in personal injury.

2.3 Additional safety instructions for breakers

Personal safety

- ▶ Use the product and accessories only when they are in perfect working order.
- ▶ Never tamper with or modify the product or accessories in any way.
- ▶ When chiseling into ceilings, walls and floors, always make sure that you have a safe and firm stance. A sudden break-through can affect your balance!
- ▶ Apply appropriate safety measures at the opposite side of the workpiece in work that involves breaking through. Parts breaking away could fall out and / or fall down causing injury to other persons.
- ▶ You and the other persons in the vicinity must wear suitable eye protection, a hard hat, ear protection, protective gloves and light respiratory protection while the product is in use.
- ▶ Wear protective gloves when changing the accessory tool. Touching the accessory tool can result in cuts and burns.
- ▶ Wear eye protection. Flying fragments can injure the body and eyes.



- ▶ Dust produced by grinding, sanding, cutting and drilling can contain dangerous chemicals. Some examples are: lead or lead-based paints; brick, concrete and other masonry products, natural stone and other products containing silicates; certain types of wood, such as oak, beech and chemically treated wood; asbestos or materials that contain asbestos. Determine the exposure of the operator and bystanders by means of the hazard classification of the materials to be worked. Implement the necessary measures to restrict exposure to a safe level, for example by the use of a dust collection system or by the wearing of suitable respiratory protection. The general measures for reducing exposure include:
 - ▶ working in an area that is well ventilated,
 - ▶ avoidance of prolonged contact with dust,
 - ▶ directing dust away from the face and body,
 - ▶ wearing protective clothing and washing exposed areas of the skin with water and soap.
- ▶ Take frequent breaks and do physical exercises to improve the blood circulation in your fingers. High vibration during long periods of work can lead to disorders of the blood vessels and nervous system in the fingers, hands and wrists.

Electrical safety

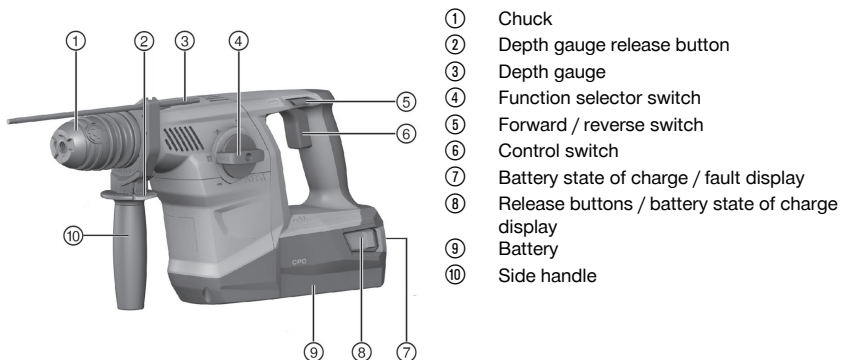
- ▶ Before beginning work, check the working area for concealed electric cables or gas and water pipes. External metal parts of the product could give you an electric shock or cause an explosion if you accidentally damage an electric cable or a gas or water pipe.

Power tool use and care

- ▶ Wait until the product has come to a complete stop before you lay it down.

3 Description

3.1 Product overview



3.2 Intended use

The product described is a cordless (battery-powered) combihammer with pneumatic hammering mechanism. It is designed for drilling in concrete, masonry, wood and metal. The product can also be used for light to medium-duty chiseling on masonry and surface finishing work on concrete.

- ▶ Use only **Hilti** Li-ion batteries from the B 36 series with this product.
- ▶ Use only the **Hilti** battery chargers from the C4/36 series for these batteries.

3.3 Possible misuse

- This product is not suitable for working on hazardous materials.
- This product is not suitable for working in a damp environment.

3.4 ATC

The product is equipped with the ATC (Active Torque Control) quick-acting electronic cut-out. If the accessory tool sticks or stalls, the product will suddenly pivot about its own axis in the opposite direction. ATC detects this sudden pivoting movement of the product and switches the product off immediately.



i For ATC to function correctly, the product must be free to pivot.
After an ATC cut-out, switch the product off and then on again.

3.5 Motor protection system

The tool is equipped with a motor protection system. The system monitors current input and motor temperature and thus prevents the tool from overheating.

If the motor is overloaded through application of excessive working pressure, the power tool's performance drops noticeably or it may stall completely.

If the power tool stalls or slows significantly due to overloading, release the pressure applied to the tool and then allow it to run under no load for approx. 30 seconds.

3.6 Lithium-ion battery status display

The Li-ion battery state of charge and malfunctions of the power tool are indicated by the display on the Li-ion battery. The Li-ion battery state of charge is displayed after pressing one of the two battery release buttons.

Status	Meaning
4 LEDs light.	State of charge: 75 % to 100 %
3 LEDs light.	State of charge: 50 % to 75 %
2 LEDs light.	State of charge: 25 % to 50 %
1 LED lights.	State of charge: 10 % to 25 %
1 LED blinks.	State of charge: < 10 %
1 LED blinks, the power tool is not ready for use.	The battery has overheated or is completely discharged.
4 LEDs blink, the power tool is not ready for use.	The power tool is overloaded or has overheated.

i Battery state of charge cannot be displayed while the control switch is pressed and for up to 5 seconds after releasing the control switch.

If the battery display LEDs blink, please observe the instructions given in the Troubleshooting section.

3.7 Items supplied

Combiammer, side handle with depth gauge, operating instructions.

i To help ensure safe and reliable operation, use only genuine Hilti spare parts and consumables. Spare parts, consumables and accessories approved by Hilti for use with the product can be found at your local **Hilti Center** or online at: **www.hilti.com**

4 Technical data

4.1 Technical data

	TE 30-A36
Rated voltage	36 V
Single impact energy in accordance with EPTA procedure 05/2009	3.6 J
Weight	5.1 kg

4.2 Noise information and vibration values in accordance with EN 62841

The sound pressure and vibration values given in these instructions were measured in accordance with a standardized test and can be used to compare one power tool with another. They can also be used for a preliminary assessment of exposure.

The data given represent the main applications of the power tool. However, if the power tool is used for different applications, with different accessory tools, or is poorly maintained, the data can vary. This can significantly increase exposure over the total working period.



An accurate estimation of exposure should also take into account the times when the power tool is switched off, or when it is running but not actually being used for a job. This can significantly reduce exposure over the total working period.

Identify additional safety measures to protect the operator from the effects of noise and/or vibration, for example: maintaining the power tool and accessory tools, keeping the hands warm, organization of work patterns.

Noise emission values

	TE 30-A36
Sound power level (L_{WA})	103 dB
Sound pressure level (L_{pA})	92 dB
Uncertainty for the sound power level / sound level	3 dB

Total vibration

	TE 30-A36	
Drilling in metal ($a_{h, HD}$)	5 m/s ²	
Hammer drilling in concrete ($a_{h, HD}$)	B 36/5.2	10.3 m/s ²
	B 36/9.0	9.3 m/s ²
Chiseling	B 36/5.2	8.5 m/s ²
	B 36/9.0	7.3 m/s ²
Uncertainty	1.5 m/s ²	

5 Operation

5.1 Preparations at the workplace

WARNING

Risk of injury by inadvertent starting!

- ▶ Before inserting the battery, make sure that the product is switched off.
- ▶ Remove the battery before making any adjustments to the power tool or before changing accessories.

Observe the safety instructions and warnings in this documentation and on the product.

5.1.1 Inserting the battery

1. Push the battery into the battery holder until it engages with an audible click.
2. Check that the battery is seated securely.

5.1.2 Removing the battery

1. Press the release buttons on the battery.
2. Pull the battery out toward the rear.

5.1.3 Charging the battery



Make sure that the outer surfaces of the battery are clean and dry before inserting the battery in the approved battery charger.

Read the operating instructions for the charger for further information about the charging process.

- ▶ Use an approved charger to charge the battery.

5.1.4 Fitting the side handle

CAUTION

Risk of injury! Loss of control over the product.

- ▶ Check that the side handle is fitted correctly and tightened securely. Check that the clamping band is engaged in the groove in the product.

1. Release the side handle clamping band by turning the handle grip.
2. Slide the side handle clamping band over the tool holder from the front and into the recess provided.



3. Set the side handle to the desired position.
4. Tighten the side handle clamping band by turning the handle grip.

5.1.5 Adjusting the depth gauge (optional)

1. Press the release button on the side handle.
2. Adjust the depth gauge to the desired drilling depth.
3. Release the release button.
4. Check that the side handle is securely attached.

5.1.6 Removing the chuck

CAUTION

Risk of injury. The depth gauge, if fitted but not used, might hinder the operator.

- ▶ Remove the depth gauge from the product.



Set the function selector switch to the **T** "Chiseling" position for changing the chuck.

1. Remove the battery from the tool.
2. Grip the chuck as shown in the illustration and pull the three chuck release rings upwards.
3. Lift the chuck upwards away from the tool.

5.1.7 Fitting the chuck

CAUTION

Risk of injury. The depth gauge, if fitted but not used, might hinder the operator.

- ▶ Remove the depth gauge from the product.



When changing the chuck, set the function selector switch to this position: **T**.

1. Remove the battery from the tool.
2. Grip the chuck as shown in the illustration and pull the three chuck release rings upwards.
3. Fit the chuck onto the chuck mount.
4. Rotate the chuck until it engages in position.

5.1.8 Inserting the tool

1. Lightly grease the connection end of the accessory tool.
 - ▶ Use only genuine **Hilti** grease. Using the wrong grease can result in damage to the tool.
2. Push the accessory tool into the chuck as far as it will go (until it engages).
3. After fitting the accessory tool, grip it and pull it in order to check that it is securely engaged.
 - ▶ The product is ready for use.

5.1.9 Removing the accessory tool

CAUTION

Risk of injury by the accessory tool! The accessory tool might be hot or have sharp edges.

- ▶ Wear protective gloves when changing the accessory tool.
- ▶ Pull the tool lock back as far as it will go and remove the accessory tool.

5.2 Types of work

CAUTION

Risk of damage by incorrect handling!

- ▶ Do not operate the switches for direction of rotation and/or function selection during operation.


Observe the safety instructions and warnings in this documentation and on the product.



5.2.1 Function selector switch

- ▶ Set the function selector switch to the desired working position.
 - ▶ Do not operate the function selector switch while the motor is running. **Risk of damage!**

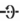
5.2.2 Drilling without hammering

- ▶ Set the function selector switch to this symbol: .


5.2.3 Drilling with hammering action (hammer drilling)

- ▶ Set the function selector switch to this symbol: .

5.2.4 Chisel positioning

- ▶ Set the function selector switch to this symbol: .
 - ▶ The chisel can be adjusted to 12 different positions (in 30° increments). This ensures that flat chisels and shaped chisels can always be set to the optimum working position.

5.2.5 Chiseling

- ▶ Set the function selector switch to this symbol: .

5.2.6 Forward / reverse

- ▶ Set the forward / reverse switch to the desired direction of rotation.

6 Care and maintenance

WARNING

Risk of injury with battery inserted !

- ▶ Always remove the battery before carrying out care and maintenance tasks!
-

Care of the product

- Carefully remove stubborn dirt.
- Carefully clean the air vents, if present, with a dry, soft brush.
- Use only a slightly damp cloth to clean the housing. Do not use cleaning agents containing silicone as these can attack the plastic parts.
- Use a dry, clean cloth to clean the contacts of the product.

Care of the Li-ion batteries

- Never use a battery with clogged air vents. Clean the air vents carefully using a dry, soft brush.
- Avoid unnecessary exposure of the battery to dust and dirt. Never expose the battery to high levels of moisture (e.g. by being dipped in water or left in the rain).
If a battery has been soaked by moisture, treat it as a damaged battery. Isolate it in a non-flammable container and consult **Hilti Service**.
- Keep the battery free of extraneous oil and grease. Do not permit dust or dirt to accumulate unnecessarily on the battery. Clean the battery with a dry, soft brush or a clean, dry cloth. Do not use cleaning agents containing silicone as these can attack the plastic parts.
Do not touch the contacts of the battery and do not remove the factory-applied grease from the contacts.
- Use only a slightly damp cloth to clean the housing. Do not use cleaning agents containing silicone as these can attack the plastic parts.

Maintenance

- Check all visible parts and controls for signs of damage at regular intervals and make sure that they all function correctly.
 - Do not use the product if signs of damage are found or if parts malfunction. Immediately have the product repaired by **Hilti Service**.
 - After cleaning and maintenance, install all guards and protective devices and check that they are in full working order.
-



To help ensure safe and reliable operation, use only genuine Hilti spare parts and consumables. Spare parts, consumables and accessories approved by **Hilti** for use with your product can be found at your **Hilti Store** or online at: www.hilti.group



7 Transport and storage of cordless tools and batteries

Transport

CAUTION

Accidental starting during transport !

- ▶ Always transport your products with the batteries removed!
- ▶ Remove the battery/batteries.
- ▶ Never transport batteries loose and unprotected. During transport, batteries should be protected from excessive shock and vibration and isolated from any conductive materials or other batteries that may come in contact with the terminals and cause a short circuit. **Comply with the locally applicable regulations for transporting batteries.**
- ▶ Do not send batteries through the mail. Consult your shipper for instructions on how to ship undamaged batteries.
- ▶ Prior to each use and before and after prolonged transport, check the product and the batteries for damage.

Storage

WARNING

Accidental damage caused by defective or leaking batteries !

- ▶ Always store your products with the batteries removed!
- ▶ Store the product and the batteries in a cool and dry place. Comply with the temperature limits stated in the technical data.
- ▶ Do not store batteries on the charger. Always remove the battery from the charger when the charging operation has completed.
- ▶ Never leave batteries in direct sunlight, on sources of heat, or behind glass.
- ▶ Store the product and batteries where they cannot be accessed by children or unauthorized persons.
- ▶ Prior to each use and before and after prolonged storage, check the product and the batteries for damage.

8 Troubleshooting

If the trouble you are experiencing is not listed in this table or you are unable to remedy the problem by yourself, please contact **Hilti Service**.

8.1 The combihammer is in working order.

Trouble or fault	Possible cause	Action to be taken
The battery runs down more quickly than usual.	Battery condition is not optimal.	▶ Replace the battery.
The battery doesn't engage with an audible click.	The retaining lugs on the battery are dirty.	▶ Clean the retaining lugs and refit the battery.
The control switch can't be pressed, i.e. the switch is locked.	The forward / reverse switch is in the middle position.	▶ Push the forward / reverse switch to the right or left.
The drive spindle doesn't rotate.	The permissible operating temperature of the combihammer's electronics has been exceeded.	▶ Allow the combihammer to cool down.
	Battery is discharged.	▶ Change the battery and charge the empty battery.
The combihammer switches itself off automatically.	The overload cut-out has been activated.	▶ Release the control switch. Allow the combihammer to cool down. Press the control switch again. Reduce the load on the tool.



Trouble or fault	Possible cause	Action to be taken
The combihammer or the battery gets very hot.	Electrical fault.	▶ Switch the combihammer off immediately. Remove the battery and keep it under observation. Allow it to cool down. Contact Hilti service.
	The combihammer has been overloaded (application limits exceeded).	▶ Select a tool that is suitable for the intended purpose.
The insert tool can't be released.	Chuck not pulled back fully.	▶ Pull the tool lock back as far as it will go and remove the accessory tool.
The drill bit makes no progress.	The combihammer is set to run in reverse rotation.	▶ Move the forward / reverse selector switch to the "Forward" position.

8.2 The combihammer is not in working order.

Malfunction	Possible cause	Action to be taken
No LEDs light.	The battery is not fully inserted.	▶ Push the battery in until it engages with a click.
	Battery is discharged.	▶ Change the battery and charge the empty battery.
	The battery is too hot or too cold.	▶ Bring the battery to the recommended working temperature.
1 LED blinks.	Battery is discharged.	▶ Change the battery and charge the empty battery.
	The battery is too hot or too cold.	▶ Bring the battery to the recommended working temperature.
4 LEDs blink.	The combihammer has been overloaded briefly.	▶ Release the control switch and then press it again.
	The overheating prevention cut-out has been activated.	▶ Allow the combihammer to cool down and clean the air vents.

9 Disposal

Most of the materials from which **Hilti** tools and appliances are manufactured can be recycled. The materials must be correctly separated before they can be recycled. In many countries, your old tools, machines or appliances can be returned to **Hilti** for recycling. Ask **Hilti** Service or your Hilti representative for further information.



- ▶ Do not dispose of power tools, electronic equipment or batteries as household waste!

10 Manufacturer's warranty

- ▶ Please contact your local **Hilti** representative if you have questions about the warranty conditions.

Original brugsanvisning

1 Om brugsanvisningen

1.1 Om denne brugsanvisning

- Læs brugsanvisningen grundigt igennem inden ibrugtagning. Det er en forudsætning for sikkert arbejde og korrekt håndtering.
- Følg sikkerhedsanvisningerne og advarslerne i denne brugsanvisning og på produktet.



- Opbevar altid brugsanvisningen sammen med produktet, og overdrag kun produktet til andre personer sammen med denne brugsanvisning.

1.2 Tegnforklaring

1.2.1 Advarsler

Advarsler advarer mod farer ved håndtering af produktet. Følgende signalord anvendes:

FARE

FARE !

- ▶ Betegner en umiddelbart truende fare, der kan medføre alvorlige kvæstelser eller døden.

ADVARSEL

ADVARSEL !

- ▶ Står ved en potentielt truende fare, der kan medføre alvorlige kvæstelser eller døden.

FORSIGTIG

FORSIGTIG !

- ▶ Advarer om en potentielt farlig situation, der kan forårsage personskader eller materielle skader.

1.2.2 Symboler i brugsanvisningen

Der benyttes følgende symboler i denne brugsanvisning:

	Se brugsanvisningen
	Anvisninger for anvendelse og andre nyttige oplysninger
	Håndtering af genvindbare materialer
	Elektriske maskiner og batterier må ikke bortskaffes som almindeligt husholdningsaffald
	Hilti lithium-ion-batteri
	Hilti Lader

1.2.3 Symboler i illustrationer

Følgende symboler anvendes på illustrationer:

	Disse tal henviser til den pågældende illustration i begyndelsen af denne brugsanvisning.
	Nummereringen i illustrationerne henviser til vigtige arbejdsstrin eller for arbejdsstrin til vigtige komponenter. I teksten fremhæves disse arbejdsstrin eller komponenter med tilhørende numre, f.eks. (3) .
	Positionsnumre anvendes i illustrationen Oversigt og refererer til tallene i symbolforklaringen i afsnittet Produktoversigt .
	Dette symbol skal sikre skærpet opmærksomhed ved omgang med produktet.

1.3 Produktspecifikke symboler

1.3.1 Symboler på produktet

Følgende symboler anvendes på produktet:

	Boring uden slagfunktion
	Boring med slagfunktion (hammerboring)
	Mejsling



	Placering af mejsel
	Højre-/venstretrøb
\emptyset	Diameter
n_0	Nominelt omdrejningstal, ubelastet
/min	Omdrejninger pr. minut
	Produktet understøtter trådløs dataoverførsel, som er kompatibel med iOS- og Android-platteforme.
	Anvendt Hilti lithium-ion-batteriserie. Overhold oplysningerne i kapitlet Tilsigtet anvendelse .
Li-ion	Lithium-ion-batteri
	Brug aldrig batteriet som slagværktøj.
	Lad ikke batteriet falde på gulvet. Brug ikke et batteri, der har fået et slag eller på anden vis er beskadiget.

1.4 Produktoplysninger

HILTI-produkter er beregnet til professionel brug og må kun betjenes, efterses og vedligeholdes af autoriseret og instrueret personale. Dette personale skal i særdeleshed informeres om de potentielle farer, der er forbundet med anvendelsen af denne maskine. Der kan opstå farlige situationer ved anvendelse af produktet og det tilhørende udstyr, hvis det anvendes af personer, der ikke er blevet undervist i dens brug, eller hvis det ikke anvendes korrekt i henhold til forskrifterne i denne brugsanvisning.

Typebetegnelse og serienummer fremgår af typeskiltet.

- ▶ Notér serienummeret i den efterfølgende tabel. Du skal bruge produktoplysningerne ved henvendelser til vores lokale afdeling eller vores serviceværksted.

Produktoplysninger

Kombihammer	TE 30-A36
Generation	03
Serienummer	

1.5 Overensstemmelseserklæring

Vi erklærer som eneansvarlige, at det beskrevne produkt er i overensstemmelse med gældende direktiver og standarder. Sidst i dette dokument finder du et billede af overensstemmelseserklæringen.

Den tekniske dokumentation er arkiveret her:

Hilti Entwicklungsgesellschaft mbH | Zulassung Geräte | Hiltistraße 6 | 86916 Kaufering, DE

2 Sikkerhed

2.1 Generelle sikkerhedsanvisninger for elværktøj

⚠ ADVARSEL Læs alle sikkerhedsanvisninger, henvisninger, billedtekster og tekniske data på elværktøjet. Hvis følgende anvisninger ikke overholdes, er der risiko for elektrisk stød, brand og/eller alvorlige personskader.

Opbevar alle sikkerhedsanvisninger og instruktioner til senere brug.

Det benyttede begreb "elværktøj" i sikkerhedsanvisningerne refererer til elektriske maskiner (med netledning) eller batteridrevne maskiner (uden netledning).

Arbejdspladssikkerhed

- ▶ **Sørg for at holde arbejdsområdet ryddeligt og godt oplyst.** Uorden eller uoplyste arbejdsområder øger faren for uheld.
- ▶ **Brug ikke elværktøj i eksplosionstruede omgivelser, hvor der er brændbare væsker, gasser eller støv.** Elværktøj kan slå gnister, der kan antænde støv eller dampe.



- ▶ **Sørg for, at andre personer og ikke mindst børn holdes væk fra arbejdsområdet, når elværktøjet er i brug.** Hvis man distraheres, kan man miste kontrollen over maskinen.

Elektrisk sikkerhed

- ▶ **Elværktøjets stik skal passe til kontakten.** Stikket må under ingen omstændigheder ændres. Brug ikke adapterstik sammen med jordforbundne elværktøj. Uændrede stik, der passer til kontakterne, nedsætter risikoen for elektrisk stød.
- ▶ **Undgå kropskontakt med jordforbundne overflader som f.eks. rør, radiatorer, komfurer og køleskabe.** Hvis din krop er jordforbundet, øges risikoen for elektrisk stød.
- ▶ **Elværktøj må ikke udsættes for regn eller fugt.** Indtrængning af vand i elværktøj øger risikoen for elektrisk stød.
- ▶ **Brug ikke ledningen til formål, den ikke er beregnet til (f.eks. må man aldrig bære elværktøjet i ledningen, hænge det op i ledningen eller rykke i ledningen for at trække stikket ud af kontakten).** Beskyt ledningen mod varme, olie, skarpe kanter eller dele, der er i bevægelse. Beskadigede eller sammenviklede ledninger øger risikoen for elektrisk stød.
- ▶ **Hvis elværktøjet benyttes i det fri, må der kun benyttes en forlængerledning, der er egnet til udendørs brug.** Brug af forlængerledning til udendørs brug nedsætter risikoen for elektrisk stød.
- ▶ **Hvis det ikke kan undgås at anvende elværktøjet i fugtige omgivelser, skal du anvende et fejlstrømsrelæ.** Anvendelsen af et fejlstrømsrelæ nedsætter risikoen for et elektrisk stød.

Personlig sikkerhed

- ▶ **Det er vigtigt at være opmærksom, se, hvad man laver, og bruge maskinen fornuftigt. Anvend aldrig elværktøj, hvis du er træt eller påvirket af stoffer, alkohol eller medicin.** Et øjeblik uopmærksomhed under brugen af elværktøjet kan medføre alvorlige personskader.
- ▶ **Brug beskyttelsesudstyr, og hav altid beskyttelsesbriller på.** Brug af sikkerhedsudstyr som f.eks. støvmaske, skridsikket fodtøj, beskyttelseshjelm eller høreværn afhængigt af elværktøjets type og anvendelse nedsætter risikoen for personskader.
- ▶ **Undgå utilsigtet igangsætning. Kontrollér, at elværktøjet er frakoblet, før du slutter det til strømforsyningen og/eller batteriet, tager det op eller transporterer det.** Undgå at bære elværktøjet med fingeren på afbryderen, og sørg for, at det ikke er tændt, når det slutes til nettet, da dette øger risikoen for personskader.
- ▶ **Fjern indstillingsværktøj eller skruenøgler, inden elværktøjet tændes.** Hvis et stykke værktøj eller en nøgle sidder i en roterende maskindel, er der risiko for personskader.
- ▶ **Undgå at arbejde i unormale kroppsstillinger. Sørg for at stå sikkert, mens der arbejdes, og kom ikke ud af balance.** Det er derved nemmere at kontrollere elværktøjet, hvis der skulle opstå uventede situationer.
- ▶ **Brug egnet arbejdstøj. Undgå løse beklædningsgenstande eller smykker. Hold hår, tøj og handsker væk fra dele, der bevæger sig.** Dele, der er i bevægelse, kan gribe fat i løstsiddende tøj, smykker eller langt hår.
- ▶ **Hvis støvudsugnings- og opsamlingsudstyr kan monteres, er det vigtigt, at dette tilsluttes og benyttes korrekt.** Ved at anvende en støvudsugning er det muligt at nedsætte risiciene som følge af støv.
- ▶ **Man må ikke ignorere sikkerhedsreglerne for elværktøj, heller ikke selvom man er fortrolig med brugen af elværktøjet.** Uagtsomhed kan medføre alvorlig tilskadekomst inden for få sekunder.

Anvendelse og pleje af elværktøjet

- ▶ **Undgå at overbelaste maskinen. Brug altid en maskine, der er beregnet til det stykke arbejde, der skal udføres.** Med det rigtige værktøj arbejder man bedst og mest sikkert inden for det angivne effektområde.
- ▶ **Brug ikke elværktøj, hvis afbryderen er defekt.** En maskine, der ikke kan startes og stoppes, er farlig og skal repareres.
- ▶ **Træk stikket ud af stikkontakten, og/eller fjern batteriet fra maskinen, inden du foretager indstillinger på den, skifter tilbehør og dele eller lægger den til side.** Disse sikkerhedsforanstaltninger forhindrer utilsigtet start af elværktøjet.
- ▶ **Opbevar ubenyttede elværktøjer uden for børns rækkevidde. Lad aldrig personer, der ikke er fortrolige med maskinen eller ikke har gennemlæst sikkerhedsanvisningerne, benytte denne.** Elværktøj er farligt, hvis det benyttes af ukyndige personer.
- ▶ **Sørg for at pleje elværktøj omhyggeligt. Kontrollér, om bevægelige dele fungerer korrekt og ikke sidder fast, og om delene er brækket eller beskadiget, således at elværktøjets funktion påvirkes. Få beskadigede dele repareret, inden elværktøjet tages i brug.** Mange uheld skyldes dårligt vedligeholdte elværktøjer.
- ▶ **Sørg for, at skæreværktøjer er skarpe og rene.** Omhyggeligt vedligeholdte skæreværktøjer med skarpe skærekanter sætter sig ikke så hurtigt fast og er nemmere at føre.



- ▶ **Anvend elværktøj, tilbehør, indsatsværktøj osv. i overensstemmelse med disse anvisninger. Tag hensyn til arbejdsforholdene og det arbejde, der skal udføres.** I tilfælde af anvendelse af maskinen til formål, som ligger uden for det fastsatte anvendelsesområde, kan der opstå farlige situationer.
- ▶ **Sørg for, at greb og gribeflader er tørre, rene og fri for olie og fedt.** Glatte greb og gribeflader gør betjeningen usikker, og det kan være svært at styre elværktøjet i uforudsete situationer.

Anvendelse og pleje af batteridrevet elværktøj

- ▶ **Oplad kun batterier i ladere, der er anbefalet af fabrikanten.** Der er risiko for brand, hvis en lader, der er beregnet til et bestemt batteri, anvendes til opladning af en anden batteritype.
- ▶ **Brug kun de batterier, der er beregnet til elværktøjet.** Brug af andre batterier øger risikoen for personskader og er forbundet med brandfare.
- ▶ **Ikke benyttede batterier må ikke komme i berøring med kontorclips, mønter, nøgler, søm, skruer eller andre små metalgenstande, da disse kan kortslutte kontakterne.** En kortslutning mellem batterikontakterne øger risikoen for personskader i form af forbrændinger.
- ▶ **Hvis batteriet anvendes forkert, kan der løbe væske ud af batteriet. Undgå at komme i kontakt med denne væske. Hvis det alligevel skulle ske, skylles med vand. Søg læge, hvis væsken kommer i øjnene.** Batterivæske kan give hudirritation eller forbrændinger.
- ▶ **Brug aldrig et beskadiget eller ændret batteri.** Beskadigede eller ændrede batterier kan virke utilsigtet og medføre brand, eksplosion eller risiko for tilskadecomst.
- ▶ **Batterier må ikke udsættes for åben ild eller høje temperaturer.** Ild eller temperaturer over 130 °C (265 °F) kan medføre eksplosion.
- ▶ **Følg alle anvisninger vedrørende opladning, og oplad aldrig batteriet eller det batteridrevne værktøj uden for det temperaturområde, der er anført i betjeningsvejledningen.** Forkert opladning eller opladning uden for det tilladte temperaturområde kan ødelægge batteriet og øge risikoen for brand.

Service

- ▶ **Sørg for, at elværktøjet kun repareres af kvalificerede fagfolk, og at der altid benyttes originale reservedele.** Dermed sikres størst mulig elværktøjssikkerhed.
- ▶ **Forsøg aldrig at reparere beskadigede batterier.** Al vedligeholdelse af batterier skal foretages af producenten eller af autoriserede forhandlere.

2.2 Sikkerhedsanvisninger til hamre

Sikkerhedsanvisninger for alle opgaver

- ▶ **Brug høreværn.** Støjpåvirkningen kan medføre høretab.
- ▶ **Brug de ekstrahåndgreb, som følger med maskinen.** Hvis du mister kontrollen, kan det medføre personskader.
- ▶ **Hold maskinen på de isolerede grebsflader, når du udfører opgaver, hvor indsatsværktøjet kan ramme skjulte strømledninger.** Ved kontakt med en spændingsførende ledning kan også metalliske værktøjsdele sættes under spænding, hvilket kan medføre elektrisk stød.

Sikkerhedsanvisninger ved anvendelse af lange bor

- ▶ **Begynd altid borearbejdet med lavt omdrejningstal, og mens boret har kontakt med emnet.** Ved højere omdrejningstal kan boret let blive bøjet, hvis det kan rotere frit uden kontakt med emnet, og medføre personskader.
- ▶ **Udøv ikke et for højt tryk på boret og kun i borets længderetning.** Bor kan blive bøjet og ende med at brække eller medføre tab af kontrollen og resultere i personskader.

2.3 Yderligere sikkerhedsanvisninger, mejselhammer

Personlig sikkerhed

- ▶ Anvend kun produktet og tilbehør i teknisk fejlfri stand.
- ▶ Foretag aldrig manipulationer eller ændringer på produkt eller tilbehør.
- ▶ Ved mejsling af lofter, vægge og gulve er det vigtigt at stå sikkert og stabilt. Hvis værktøjet pludselig går igennem, kan du miste balancen!
- ▶ Ved gennembrydningsarbejde skal du huske at sikre området på den modsatte side. Nedbrydningsdele kan falde ud og/eller ned og volde skade på andre personer.
- ▶ Sørg for, at du selv og personer, som opholder sig i nærheden under brugen af maskinen, anvender egnede beskyttelsesbriller, sikkerhedshjelm, høreværn og et let åndedrætsværn.
- ▶ Brug beskyttelseshandsker, når du skifter værktøj. Berøring af indsatsværktøjet kan medføre snitsår og forbrændinger.
- ▶ Brug øjenværn. Splinterne fra materialet kan medføre skader på lemmer og øjne.



- ▶ Støv, der dannes ved slibning, skæring og boring, kan indeholde farlige kemikalier. Nogle eksempler er: Bly eller maling på blybasis; Tegl, beton og andre murværksprodukter, natursten og andre silikatholdige produkter; Bestemte træsorter som eg, bøg og kemisk behandlet træ; Asbest eller asbestholdige materialer. Bestem eksponeringen for brugeren og omkringstående personer ved hjælp af fareklassen for de materialer, der arbejdes på. Træf de nødvendige foranstaltninger for at holde eksponeringen på et sikkert niveau, f.eks. ved at bruge et støvopsamlingsystem eller brug af et passende åndedrætsværn. Generelle foranstaltninger til at reducere eksponeringen omfatter bl.a.:
 - ▶ Arbejde i et godt ventileret område,
 - ▶ Undgå længere tids kontakt med støv,
 - ▶ Lede støv bort fra ansigt og krop,
 - ▶ Brug beskyttende beklædning og vaske eksponerede områder med vand og sæbe.
- ▶ Hold hyppigt pauser, og lav øvelser, så fingrene får bedre blodgennemstrømning. Ved længerevarende arbejde kan vibrationer medføre forstyrrelser af fingrenes, hændernes eller håndleddenes blodkar og nervesystem.

Elektrisk sikkerhed

- ▶ Kontrollér før påbegyndelse af arbejdet arbejdsområdet for skjulte elektriske ledninger, gas- og vandrør, f.eks. med en metaldetektor. Udvendige metaldele på produktet kan medføre elektrisk stød eller forårsage en eksplosion, hvis du beskadiger en elledning, et gasrør eller et vandrør.

Omhyggelig omgang med og brug af elværktøj

- ▶ Vent, indtil produktet er standset helt, før du lægger det fra dig.

3 Beskrivelse

3.1 Produktoversigt



3.2 Bestemmelsesmæssig anvendelse

Det beskrevne produkt er en batteridrevet kombihammer med pneumatisk slagmekanisme. Det er beregnet til boring i beton, murværk, træ og metal. Produktet kan desuden anvendes til lette og moderate mejselopgaver i murværk og til efterbearbejdning af beton.

- ▶ Anvend kun **Hilti** lithium-ion-batterier i typeserien B 36 til dette produkt.
- ▶ Anvend kun **Hilti** ladere i C4/36-serien til disse batterier.

3.3 Potentiel forkert brug

- Dette produkt egner sig ikke til bearbejdning af sundhedsskadelige materialer.
- Dette produkt egner sig ikke til arbejde i fugtige miljøer.

3.4 ATC

Produktet er udstyret med elektronisk hurtigfrakobling ATC (Active Torque Control).

Hvis indsatsværktøjet blokerer eller sætter sig fast, roterer produktet pludselig ukontrolleret i den modsatte retning. ATC registrerer denne pludselige rotationsbevægelse på produktet og kobler omgående produktet fra.





Produktet skal kunne rotere for at fungere korrekt.
Efter udført hurtig frakobling skal du slukket produktet og tænde det igen.

3.5 Motorværn

Produktet er forsynet med et motorværn. Det overvåger strømforbrug samt motoropvarmning og beskytter maskinen mod overophedning.

Ved overbelastning af motoren som følge af for højt tryk nedsættes maskinens ydelse mærkbart, eller måske standser maskinen.

I tilfælde af stilstand eller et fald i omdrejningstallet på grund af en overbelastning skal du aflaste maskinen og lade den køre i ca. 30 sekunder ved tomgangshastighed.

3.6 Indikator for lithium-ion-batteriet

Lithium-ion-batteriets ladetilstand og fejl på maskinen signaleres via lithium-ion-batteriets indikator. Lithium-ion-batteriets ladetilstand vises efter berøring af de to batterifrigøringsknapper.

Tilstand	Betydning
4 lysdioder lyser.	Ladetilstand: 75 % til 100 %
3 lysdioder lyser.	Ladetilstand: 50 % til 75 %
2 lysdioder lyser.	Ladetilstand: 25 % til 50 %
1 lysdiode lyser.	Ladetilstand: 10 % til 25 %
1 lysdiode blinker.	Ladetilstand: < 10 %
1 lysdiode blinker, maskinen er ikke klar til brug.	Batteriet er overophedet eller helt afladet.
4 lysdioder blinker, maskinen er ikke klar til brug.	Maskinen er overbelastet eller overophedet.



Når afbryderen er aktiveret, og op til 5 sekunder efter at afbryderen er sluppet, er det ikke muligt at få vist ladetilstanden.

Hvis lysdioderne på batteriets indikator blinker, henvises til beskrivelsen i kapitlet Fejlafhjælpning.

3.7 Leveringsomfang

Kombihammer, sidegreb med dybdestop, brugsanvisning.



Anvend kun originale reservedele og forbrugsmaterialer af hensyn til en sikker drift. Reservedele, forbrugsmaterialer og tilbehør til dit produkt, som vi har godkendt, finder du i dit **Hilti** Center eller under www.hilti.com

4 Tekniske data

4.1 Tekniske data

	TE 30-A36
Nominal spænding	36 V
Enkeltlagsenergi i overensstemmelse med EPTA-procedure 05/2009	3,6 J
Vægt	5,1 kg

4.2 Støjinformation og vibrationsværdier iht. EN 62841

Lydtryk- og vibrationsværdier i denne brugsanvisning er målt i henhold til en standardiseret målemetode og kan anvendes til sammenligning af forskellige elværktøjer. De kan også anvendes til en foreløbig vurdering af den eksponering, brugeren udsættes for.

De anførte data repræsenterer elværktøjets primære anvendelsesformål. Hvis elværktøjet imidlertid anvendes til andre formål, med andre indsatsværktøjer eller utilstrækkelig vedligeholdelse, kan dataene afvige. Dette kan forøge den eksponering, som brugeren udsættes for, i hele arbejdstiden markant.

For at opnå en præcis vurdering af den eksponering, som brugeren udsættes for, bør også den tid, hvor elværktøjet er slukket eller blot kører uden at blive anvendt, inddrages. Dette kan reducere den eksponering, som brugeren udsættes for, i hele arbejdstiden markant.



Fastlæg yderligere sikkerhedsforanstaltninger til beskyttelse af brugeren mod støj- og/eller vibrationspåvirkninger, f.eks. er det vigtigt at vedligeholde elværktøj og indsatsværktøj, at holde hænderne varme og at organisere arbejdsprocesserne.

Støjemissionsværdier

	TE 30-A36
Lydeffektniveau (L_{WA})	103 dB
Lydtrykniveau (L_{pA})	92 dB
Usikkerhed lydeffekt / lydniveau	3 dB

Samlede vibrationsværdier

		TE 30-A36
Boring i metal ($a_{h, HD}$)		5 m/s ²
Hammerboring i beton ($a_{h, HD}$)	B 36/5.2	10,3 m/s ²
	B 36/9.0	9,3 m/s ²
Mejsling	B 36/5.2	8,5 m/s ²
	B 36/9.0	7,3 m/s ²
Usikkerhed		1,5 m/s ²

5 Betjening

5.1 Forberedelse af arbejdet

ADVARSEL

Fare for personskader på grund af utilsigtet start!

- ▶ Før isætning af batteriet skal du kontrollere, at det tilhørende produkt er slukket.
- ▶ Fjern batteriet fra maskinen, inden du foretager indstillinger eller skifter tilbehørsdele på den.

Følg sikkerheds- og advarselshenvisningerne i denne dokumentation og på produktet.

5.1.1 Ilægning af batteri

1. Sæt batteriet i maskinholderen, indtil det går hørbart i indgreb.
2. Kontrollér, at batteriet er sat korrekt i.

5.1.2 Fjernelse af batteri

1. Tryk på batteriets frigøringsknapper.
2. Træk batteriet tilbage og ud.

5.1.3 Opladning af batteri



Kontrollér, at batteriet udvendigt er rent og tørt, før det sættes i den godkendte lader.
Læs brugsanvisningen til laderen for at få oplysninger om fremgangsmåden ved opladning.

- ▶ Oplad batteriet i en godkendt lader.

5.1.4 Montering af sidegreb

FORSIGTIG

Fare for personskader! Tab af kontrol over produktet.

- ▶ Kontrollér, at sidegrebet er monteret rigtigt og fastgjort korrekt. Kontrollér, at spændebåndet ligger i den dertil beregnede not på produktet.

1. Drej på grebet for at løsne sidegrebets holder (spændebånd).
2. Skub holderen (spændebånd) på forfra over værktøjsholderen frem til den dertil beregnede not.
3. Anbring sidegrebet i den ønskede position.
4. Drej på grebet for at spænde sidegrebets holder (spændebånd).



5.1.5 Indstilling af dybdestop (ekstratilbehør)

1. Tryk på frigøringsknappen på sidegrebet.
2. Indstil dybdestoppet til den ønskede boreddybde.
3. Slip frigøringsknappen.
4. Kontrollér, at sidegrebet er sat korrekt i.

5.1.6 Afmontering af værktøjsholder

FORSIGTIG

Fare for personskader! Brugeren hæmmes under arbejdet, hvis dybdestoppet er monteret, men ikke anvendes.

- ▶ Tag dybdestoppet af produktet.



Vælg positionen "Mejsling" på funktionsvælgeren, når du skal skifte værktøjsholder.

1. Tag batteriet ud af maskinen.
2. Tag fat over værktøjsholderen, og træk låsemekanismens 3 ringe opad.
3. Løft værktøjsholderen op og af.

5.1.7 Montering af værktøjsholder

FORSIGTIG

Fare for personskader! Brugeren hæmmes under arbejdet, hvis dybdestoppet er monteret, men ikke anvendes.

- ▶ Tag dybdestoppet af produktet.



Vælg dette symbol på funktionsvælgeren ved værktøjsholder/-skift: .

1. Tag batteriet ud af maskinen.
2. Tag fat over værktøjsholderen, og træk låsemekanismens 3 ringe opad.
3. Sæt værktøjsholderen på holderen.
4. Drej værktøjsholderen, indtil den går i indgreb.

5.1.8 Indsætning af værktøj

1. Smør indsatsværktøjets indstiksende med et tyndt lag fedt.
 - ▶ Anvend kun originalt fedt fra **Hilti**. En forkert fedttype kan medføre skader på maskinen.
2. Sæt indsatsværktøjet i værktøjsholderen indtil anslag, og lad det gå i indgreb.
3. Kontrollér efter isætning, at værktøjet sidder sikkert fast ved at trække i det.
 - ▶ Produktet er klar til brug.

5.1.9 Udtagning af værktøj

FORSIGTIG

Fare for personskader på grund af indsatsværktøj! Indsatsværktøjet kan være meget varmt eller have skarpe kanter.

- ▶ Brug beskyttelseshandsker ved skift af indsatsværktøjet.
- ▶ Træk værktøjslåsen tilbage indtil anslag, og tag indsatsværktøjet ud.

5.2 Arbejde

FORSIGTIG

Fare for beskadigelse på grund af forkert håndtering!

- ▶ Tryk ikke på kontakten for rotationsretning og/eller funktionsvalg under brugen.

Følg sikkerheds- og advarselshenvisningerne i denne dokumentation og på produktet.



5.2.1 Funktionsvælger

- ▶ Indstil funktionsvælgeren til den ønskede arbejdsposition.
 - ▶ Funktionsvælgeren må ikke betjenes under brugen. **Fare for beskadigelse!**

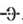
5.2.2 Boring uden slagfunktion

- ▶ Sæt funktionsvælgeren på dette symbol: .

5.2.3 Boring med slagfunktion (hammerboring)

- ▶ Sæt funktionsvælgeren på dette symbol: .

5.2.4 Placering af mejsel

- ▶ Sæt funktionsvælgeren på dette symbol: .
- ▶ Mejslen kan indstilles i 12 forskellige positioner (i trin på 30°). Dette gør, at man med flad- og formmejsler altid kan arbejde i den korrekte arbejdsstilling.

5.2.5 Mejsling

- ▶ Sæt funktionsvælgeren på dette symbol: .

5.2.6 Højre-/venstreløb

- ▶ Indstil omskifteren til valg af højre-/venstreløb til den ønskede omdrejningsretning.

6 Rengøring og vedligeholdelse

ADVARSEL

Fare for personskader ved isat batteri !

- ▶ Fjern altid batteriet før alle pleje- og vedligeholdelsesarbejder!
-

Pleje af produktet


- Fjern fastsiddende snavs forsigtigt.
- Rengør forsigtigt evt. ventilationsåbninger med en tør, blød børste.
- Rengør kun huset med en hårdt opvredet klud. Brug ikke silikoneholdige plejemidler, da de kan angribe plastdelene.
- Brug en ren, tør klud til at rengøre kontakterne på produktet.

Pleje af Li-ion-batterier

- Anvend aldrig et batteri med tilstoppede ventilationsåbninger. Rengør forsigtigt ventilationsåbningerne med en tør, blød børste.
- Undgå, at batteriet unødigt udsættes for støv og snavs. Udsæt aldrig batteriet for høj fugtighed (f.eks. dyppe det i vand eller lade det stå ude i regnvejrr). Hvis et batteri er blevet gennemvådt, skal det behandles som et beskadiget batteri. Isoler det i en ikke-brændbar beholder, og kontakt **Hilti Service**.
- Hold batteriet frit for udefrakommende olie og fedt. Lad ikke unødigt støv og snavs samle sig på batteriet. Rengør batteriet med en tør, blød børste eller en ren, tør klud. Brug ikke silikoneholdige plejemidler, da de kan angribe plastdelene. Berør ikke batteriets kontakter, og fjern ikke det fedt fra kontakterne, som er påført fra fabrikken.
- Rengør kun huset med en hårdt opvredet klud. Brug ikke silikoneholdige plejemidler, da de kan angribe plastdelene.

Vedligeholdelse

- Kontrollér regelmæssigt alle synlige dele for skader og betjeningslementerne for fejlfri funktion.
- Anvend ikke produktet i tilfælde af beskadigelse og/eller funktionsfejl. Få straks produktet repareret af **Hilti Service**.
- Monter alle beskyttelsesanordninger efter pleje- og vedligeholdelsesarbejder, og kontroller dem for korrekt funktion.

 Anvend kun originale reservedele og forbrugsmaterialer af hensyn til en sikker drift. Reservedele, forbrugsmaterialer og tilbehør til dit produkt, som **Hilti** har godkendt, finder du i din **Hilti Store** eller under: www.hilti.group



7 Transport og opbevaring af batteridrevet værktøj og batterier

Transport



FORSIGTIG

Utsigtet start ved transport !

- ▶ Transportér altid dine produkter uden isat batteri!
- ▶ Tag batteriet/batterierne af.
- ▶ Transportér aldrig batterier liggende løst og ubeskyttet. Under transporten bør batterierne beskyttes mod hårde slag og vibrationer og isoleres fra enhver form for ledende materialer eller andre batterier, så de ikke kommer i kontakt med andre batteripoler og forårsager en kortslutning. **Overhold de lokale transportforskrifter for batterier.**
- ▶ Batterier må ikke sendes med posten. Henvend dig til et transportfirma, hvis du ønsker at sende ubeskadigede batterier.
- ▶ Kontrollér produktet og batterierne for skader hver gang før brug og før og efter længere transport.

Opbevaring



ADVARSEL

Utsigtet beskadigelse på grund af defekte eller utætte batterier !

- ▶ Opbevar altid dine produkter uden isat batteri!
- ▶ Opbevar produkt og batterier køligt og tørt. Overhold de temperaturgrænser, der fremgår af de tekniske data.
- ▶ Opbevar ikke batterier i laderen. Tag batteriet ud af laderen, når opladningen er gennemført.
- ▶ Opbevar aldrig batterier i direkte sollys, på varmekilder eller i et vindue.
- ▶ Opbevar produkt og batterier utilgængeligt for børn og uvedkommende personer.
- ▶ Kontrollér produktet og batterierne for skader hver gang før brug og før og efter længere tids opbevaring.

8 Fejlafhjælpning

Ved fejl, som ikke fremgår af denne tabel, eller som du ikke selv kan afhjælppe, beder vi dig om at kontakte Hilti Service.

8.1 Kombihammeren er funktionsdygtig

Fejl	Mulig årsag	Løsning
Batteriet aflades hurtigere end normalt.	Batteritilstanden er ikke optimal.	▶ Udskift batteriet.
Batteriet går ikke i indgreb med et tydeligt klik.	Låsetapperne på batteriet er beskidte.	▶ Rengør holdetapperne, og bring batteriet i indgreb igen.
Omdrejningsreguleringen kan ikke trykkes ned eller er blokeret.	Omskifter til valg af højre-/venstrelob i midterposition.	▶ Tryk omskifteren til valg af højre-/venstrelob til højre eller venstre.
Maskinens spindel roterer ikke.	Den tilladte driftstemperatur i kombihammerens elektroniske system er overskredet.	▶ Lad kombihammeren køle af.
	Aflad batteri.	▶ Udskift batteriet, og oplad det tomme batteri.
Kombihammeren slukker automatisk.	Overbelastningsbeskyttelsen aktiveres.	▶ Slip afbryderen. Lad kombihammeren køle af. Betjen afbryderen igen. Reducer maskinens belastning.
Kraftig varmeudvikling i kombihammer eller batteri.	Elektrisk defekt	▶ Sluk omgående kombihammeren. Tag batteriet ud, og hold øje med det. Lad det køle af. Kontakt Hilti Service .
	Kombihammeren er overbelastet (anvendelsesgrænse overskredet).	▶ Vælg en maskine, der egner sig til opgaven.



Fejl	Mulig årsag	Løsning
Værktøjet kan ikke frigøres.	Værktøjsholderen er ikke trukket helt tilbage.	▶ Træk værktøjslåsen tilbage indtil anslag, og tag værktøjet ud.
Boret trænger ikke ind.	Kombihammeren er indstillet til venstrelob.	▶ Indstil omskifteren til valg af højre-/venstrelob til højreløb.

8.2 Kombihammeren er ikke funktionsdygtig

Fejl	Mulig årsag	Løsning
Lysdioder er ikke aktive.	Batteriet er ikke korrekt isat.	▶ Bring batteriet i indgreb med et hørbart klik.
	Aflad batteri.	▶ Udskift batteriet, og oplad det tomme batteri.
	Batteriet er for varmt eller for koldt.	▶ Bring batteriet op på den anbefalede arbejdstemperatur.
1 lysdiode blinker.	Aflad batteri.	▶ Udskift batteriet, og oplad det tomme batteri.
	Batteriet er for varmt eller for koldt.	▶ Bring batteriet op på den anbefalede arbejdstemperatur.
4 lysdioder blinker.	Kombihammeren kortvarigt overbelastet.	▶ Slip afbryderen, og betjen den igen.
	Overophedningsbeskyttelse.	▶ Lad kombihammeren køle af, og rengør ventilationsåbningerne.

9 Bortskaffelse

Størstedelen af de materialer, som anvendes ved fremstillingen af **Hilti**-produkter, kan genvindes. Materialerne skal sorteres, før de kan genvindes. I mange lande modtager **Hilti** dine udtjente maskiner med henblik på genvinding. Spørg **Hilti** kundeservice eller din forhandler.



- ▶ Elværktøj, elektriske maskiner og batterier må ikke bortskaffes sammen med almindeligt husholdningsaffald!

10 Producentgaranti

- ▶ Hvis du har spørgsmål vedrørende garantibetingelserne, bedes du henvende dig til din lokale **Hilti**-partner.

Originalbrugsanvisning

1 Anvisningar om bruksanvisning

1.1 Om denna bruksanvisning

- Läs noga igenom den här bruksanvisningen innan du använder verktyget. Det är en förutsättning för säkert arbete och problemfri hantering.
- Observera de säkerhets- och varningsanvisningar som du hittar i denna bruksanvisning och på produkten.
- Förvara alltid bruksanvisningen tillsammans med produkten och överlämna aldrig produkten till någon annan utan att bifoga den.

1.2 Teckenförklaring

1.2.1 Varningar

Varningarna är till för att varna för risker i samband med användning av produkten. Följande riskindikeringar används:



⚠ FARA

FARA !

- ▶ Anger överhängande risker som kan leda till svåra personskador eller dödsolycka.

⚠ VARNING

VARNING !

- ▶ Anger potentiella risker som kan leda till svåra personskador eller dödsfall.

⚠ FÖRSIKTIGHET

FÖRSIKTIGHET !

- ▶ Används för att uppmärksamma om en potentiell risksituation som kan leda till skador på person eller utrustning.

1.2.2 Symboler i bruksanvisningen

I den här bruksanvisningen används följande symboler:

	Observera bruksanvisningen
	Anmärkningar och annan praktisk information
	Hantering av återvinningsbara material
	Elverktyg och batterier får inte kastas i hushållssoporna
	Hilti litiumjonbatteri
	Hilti Batteriladdare

1.2.3 Symboler i bilderna

Följande symboler används i bilder:

	Dessa siffror hänvisar till motsvarande bild i början av bruksanvisningen.
	Numreringen i bilderna hänvisar till viktiga arbetsmoment eller viktiga komponenter för arbetsmomenten. I texten framhävs dessa arbetsmoment eller komponenter med motsvarande nummer, t.ex. (3).
	I bilden Översikt används positionsnummer och hänvisar till siffrorna i teckenförklaringen i avsnittet Produktöversikt .
	Det här tecknet är till för att du ska vara extra uppmärksam på något som gäller hur du hanterar produkten.

1.3 Produktberoende symboler

1.3.1 Symboler på produkten

Följande övriga symboler används på produkten:

	Borring utan slag
	Borring med slag (hammarborring)
	Bilning
	Mejselpositionering
	Rotationsriktning
	Diameter
n_0	Nominellt varvtal, obelastat



/min	Varv per minut
	Produkten stöder trådlös dataöverföring som är kompatibel med iOS- och Android-plattformar.
	Hilti-litiumjonbatteriserie som används. Observera uppgifterna i kapitlet Avsedd användning .
Li-Ion	Litiumjonbatteri
	Använd aldrig batteriet som slagverktyg.
	Låt inte batteriet falla ner på marken. Använd inte batterier som har utsatts för slag eller på annat sätt har skadats.

1.4 Produktinformation

-produkter är avsedda för professionella användare och får endast användas, underhållas och repareras av auktoriserad, utbildad personal. Personalen måste vara särskilt informerad om de risker som finns. Produkten och dess tillbehör kan utgöra en risk om den används på ett felaktigt sätt av utbildad personal eller inte används enligt föreskrifterna.

Typbeteckning och serienummer anges på typskylten.

- ▶ Använd de serienummer som anges i följande tabell. Du behöver produktuppgifterna när du kontaktar vår återförsäljare eller serviceverkstad.

Produktdetaljer

Kombihammare	TE 30-A36
Generation	03
Serienr	

1.5 Försäkran om överensstämmelse

Vi försäkrar på eget ansvar att den produkt som beskrivs här överensstämmer med gällande direktiv och standarder. En bild på försäkran om överensstämmelse hittar du i slutet av dokumentationen.

Den tekniska dokumentationen finns sparad här:

Hilti Entwicklungsgesellschaft mbH | Zulassung Geräte | Hiltistraße 6 | 86916 Kaufering, Tyskland

2 Säkerhet

2.1 Allmänna säkerhetsföreskrifter för elverktyg

⚠ VARNING Läs noga igenom alla säkerhetsföreskrifter, anvisningar, utbildningar och tekniska data som medföljer detta elverktyg. Om nedanstående anvisningar inte följs, finns risk för elektriska stötar, brand och/eller svåra skador.

Förvara alla säkerhetsföreskrifter och anvisningarna på ett säkert ställe för framtida användning.

Begreppet "elverktyg" som används i säkerhetsföreskrifterna avser nätdrivna elverktyg (med nätkabel) och batteridrivna elverktyg (sladdlösa).

Säker arbetsmiljö

- ▶ **Håll arbetsområdet rent och väl belyst.** Oordning eller bristfällig belysning på arbetsplatsen kan leda till olyckor.
- ▶ **Arbeta inte med elverktyget i omgivning med explosionsrisk där det finns brännbara vätskor, gaser eller damm.** Elverktyg alstrar gnistor som kan antända dammet eller gaserna.
- ▶ **Håll barn och obehöriga personer på betryggande avstånd under arbetet med elverktyget.** Om du störs av obehöriga personer kan du förlora kontrollen över verktyget.

Elsäkerhet

- ▶ **Elverktygets elkontakt måste passa till vägguttaget. Elkontakten får absolut inte ändras. Använd inte adapterkontakter tillsammans med skyddsjordade elverktyg.** Originalkontakter och lämpliga vägguttag minskar risken för elstötar.
- ▶ **Undvik kroppskontakt med jordade ytor som rör, värmeelement, spisar och kylskåp.** Det finns en större risk för elstötar om din kropp är jordad.
- ▶ **Skydda elverktyget från regn och väta.** Tränger vatten in i ett elverktyg ökar risken för elstötar.



- ▶ **Använd inte anslutningskabeln på ett felaktigt sätt, t.ex. genom att bära eller hänga upp elverktuget i den eller dra i den för att lossa elkontakten ur vägguttaget. Håll anslutningskabeln på avstånd från värmekällor, olja, vassa kanter och rörliga delar.** Skadade eller tilltrasslade anslutningskablar ökar risken för elstötar.
- ▶ **När du arbetar med ett elverktyg utomhus, använd endast förlängningskablar som är avsedda för utomhusbruk.** Genom att använda en lämplig förlängningskabel för utomhusbruk minskar du risken för elstötar.
- ▶ **Om det är alldeles nödvändigt att använda verktyget i fuktig miljö ska du använda en jordfelsbrytare.** Användning av jordfelsbrytare minskar risken för elstötar.

Personsäkerhet

- ▶ **Var uppmärksam, ha uppsikt över vad du gör och använd elverktuget med förnuft. Använd aldrig elverktyg om du är trött eller påverkad av droger, alkohol eller medicin.** En kort sekund av bristande uppmärksamhet när du arbetar med ett elverktyg kan leda till att du skadar dig själv eller någon annan svårt.
- ▶ **Bär alltid personlig skyddsutrustning och skyddsglasögon.** Genom att använda personlig skyddsutrustning som t.ex. dammskyddsmask, halkfria säkerhetsskor, hjälm eller hörselskydd, beroende på vilket elverktyg du använder och till vad, minskar du risken för kroppsskada.
- ▶ **Undvik oavsiktlig igångsättning. Se till att elverktuget är fränkopplat innan du ansluter det till nätströmmen och/eller batteriet, tar upp det eller bär det.** Om du bär elverktuget med fingret på strömbrytaren eller ansluter ett tillkopplat verktyg till nätströmmen kan en olycka inträffa.
- ▶ **Ta bort alla inställningsverktyg och skruvnycklar innan du kopplar in elverktuget.** Ett verktyg eller en nyckel i en roterande komponent kan leda till skador.
- ▶ **Undvik en onormal kroppshållning. Se till att du står stadigt och håller balansen.** Då kan du lättare kontrollera elverktuget i oväntade situationer.
- ▶ **Bär lämpliga kläder. Bär inte löst hängande kläder eller smycken. Håll håret, kläderna och handskarna på avstånd från rörliga delar.** Löst hängande kläder, smycken och långt hår kan dras in i roterande delar.
- ▶ **När du använder elverktyg med anordningar för uppsugning och uppsamling av damm, bör du kontrollera att dessa anordningar är rätt monterade och används korrekt.** Används en dammsugare kan faror som orsakas av damm minskas.
- ▶ **Invagga dig inte i falsk säkerhet och strunta inte säkerhetsreglerna för elverktyg även om du har stor vana vid att arbeta med elverktuget.** Oförsiktig hantering kan leda till allvarliga skador inom bråkdelar av en sekund.

Användning och hantering av elverktyg

- ▶ **Överbelasta inte verktyget. Använd elverktyg som är avsedda för det aktuella arbetet.** Med ett lämpligt elverktyg kan du arbeta bättre och säkrare inom angivet effektområde.
- ▶ **Använd aldrig elverktuget om strömbrytaren är defekt.** Ett elverktyg som inte kan kopplas in eller ur är farligt och måste repareras.
- ▶ **Dra ut elkontakten ur uttaget och/eller ta i förekommande fall bort det löstagbara batteriet innan du gör inställningar, byter tillbehör eller lägger ifrån dig verktyget.** Denna skyddsåtgärd förhindrar att du eller någon annan råkar sätta igång elverktuget av misstag.
- ▶ **Förvara elverktyg oåtkomligt för barn. Verktyget får inte användas av personer som inte är vana eller inte har läst dessa anvisningar.** Elverktyg är farliga om de används av oerfarna personer.
- ▶ **Underhåll elverktygen och tillbehören noggrant. Kontrollera att rörliga komponenter fungerar felfritt och inte kärvar och att komponenter inte har brustit eller skadats så att elverktugets funktion påverkas negativt. Se till att skadade delar repareras innan verktyget används igen.** Många olyckor orsakas av dåligt skötta elverktyg.
- ▶ **Håll insatsverktygen skarpa och rena.** Omsorgsfullt skötta insatsverktyg med skarpa egg kommer inte så lätt i kläm och går lättare att styra.
- ▶ **Använd elverktyg, tillbehör, insatsverktyg osv. enligt dessa anvisningar. Ta hänsyn till arbetsvillkoren och arbetsmomenten.** Används elverktuget på icke ändamålsenligt sätt kan farliga situationer uppstå.
- ▶ **Se till att handtaget och greppytorna är torra, rena och fria från olja och fett.** Med hala handtag och gripytor går det inte att hantera och kontrollera elverktuget säkert i oväntade situationer.

Användning och hantering av batteriverktyg

- ▶ **Ladda endast batterierna i de laddare som tillverkaren har rekommenderat.** Brandrisk kan uppstå om en laddare som är avsedd för en viss typ av batterier används för andra batterityper.
- ▶ **Använd endast batterier som är avsedda för aktuellt elverktyg.** Används andra batterier finns det risk för kroppsskada och brand.



- ▶ **Håll gem, mynt, nycklar, spikar, skruvar och andra små metallföremål på avstånd från reservbatterier för att undvika kortslutning av kontakterna.** En kortslutning av batteriets kontakter kan leda till brännskador eller brand.
- ▶ **Om batteriet används på fel sätt kan vätska rinna ur batteriet. Undvik kontakt med vätskan. Vid oavsiktlig kontakt, skölj med vatten. Om vätska kommer i kontakt med ögonen, uppsök dessutom läkare.** Batterivätskan kan orsaka hudirritation eller brännskada.
- ▶ **Använd aldrig skadade eller egenhändigt modifierade batterier.** Skadade eller modifierade batterier kan bete sig oförutsägbart och orsaka brand, explosioner eller risk för skador.
- ▶ **Utsätt aldrig batterier för öppen eld eller för höga temperaturer.** Öppen eld eller temperaturer över 130 °C (265 °F) kan orsaka explosion.
- ▶ **Följ alla anvisningar för laddning och ladda aldrig batteriet eller batteriverktyget vid temperaturer som ligger utanför det intervall som anges i bruksanvisningen.** Felaktigt utförd laddning eller laddning vid temperaturer utanför det tillåtna intervallet kan förstöra batteriet och öka risken för brand.

Service

- ▶ **Låt endast kvalificerad fackpersonal reparera elverktyget och använd då endast originalreservdelar.** Detta garanterar att verktygets säkerhet upprätthålls.
- ▶ **Utför aldrig underhåll på skadade batterier.** Underhåll av batterier får endast utföras av tillverkaren eller av auktoriserade kundservicecenter.

2.2 Säkerhetsföreskrifter för hammare

Säkerhetsanvisningar för alla arbeten

- ▶ **Bär hörselskydd.** Buller kan leda till hörselskador.
- ▶ **Använd de extrahandtag som levereras tillsammans med verktyget.** Tappar du kontrollen över verktyget kan det leda till skador.
- ▶ **Håll verktyget i de isolerade greppytorna medan du arbetar, eftersom det kan finnas risk att insatsverktyget stöter på en dold elledning.** Vid kontakt med en spänningssatt ledning kan metalldelar på verktyget spänningssättas och ge dig en stöt.

Säkerhetsanvisningar vid användning av långa borrh

- ▶ **Börja alltid att borra med lågt varvtal och med borrhspetsen i kontakt med arbetsstycket.** Om borrh tillåts rotera utan kontakt med arbetsstycket kan det vid högre varvtal lätt komma att böjas, med åtföljande risk för personskador.
- ▶ **Använd inte för hårt tryck mot arbetsstycket och rikta trycket endast rakt i borrhets längdriktning.** Följden kan annars bli att borrh böjs så att det går sönder, eller att du tappar kontrollen över verktyget med risk för personskador.

2.3 Ytterligare säkerhetsanvisningar för mejselhammare

Personsäkerhet

- ▶ Använd endast produkten och dess tillbehör om den är fullt funktionsduglig.
- ▶ Produkten eller dess tillbehör får inte byggas om eller ändras.
- ▶ Se till att du står stadigt vid bilning i tak, väggar och golv. Ett plötsligt genombrott kan göra att du tappar balansen!
- ▶ Vid genombrottsarbeten, tänk på att säkra området på motstående sida. Annars finns det risk för att det material som lossnar ramlar ner eller skjuter iväg och skadar människor i närheten.
- ▶ Använd lämpliga skyddsglasögon, skyddshjälm, hörselskydd och ett lätt andningskydd när du arbetar med verktyget och se till att personer i närheten av verktyget har samma skyddsutrustning.
- ▶ Använd skyddshandskar vid verktygsbyte. Det finns risk för skär- och brännskador vid beröring av nysst använda insatsverktyg.
- ▶ Använd skyddsglasögon. Splitter kan skada oskyddade kroppsdelar och ögon.
- ▶ Damm som uppstår vid slipning, polering, kapning och borrarbete kan innehålla farliga kemikalier. Exempel på sådana är: bly eller blybaserade färger, tegel, betong och andra murverksprodukter, natursten och andra produkter som innehåller silikat, Vissa träslag som ek och bok samt kemiskt behandlat trä, asbest eller material som innehåller asbest. Fastställ exponeringen för användaren och personer i närheten av arbetsområdet genom att kontrollera vilken riskklass det material som ska bearbetas tillhör. Vidta nödvändiga åtgärder för att hålla exponeringen på en säker nivå. Använd t.ex. ett dammuppsamlingsystem eller bär lämpligt andningskydd. Allmänna åtgärder för att minska exponeringen är:
 - ▶ Arbeta i ett välventilerat utrymme,
 - ▶ Undvik längre kontakt med damm,



- ▶ Led bort damm från ansiktet och kroppen,
 - ▶ Bär skyddskläder och tvätta exponerade områden med tvål och vatten.
- ▶ Ta ofta paus i arbetet och utför fingerövningar som ökar blodgenomströmningen i fingrarna. Vid långvarigt, ihållande arbete kan de starka vibrationerna ge besvär i blodkärl och nerver i fingrarna, händerna och handlederna.

Elektrisk säkerhet

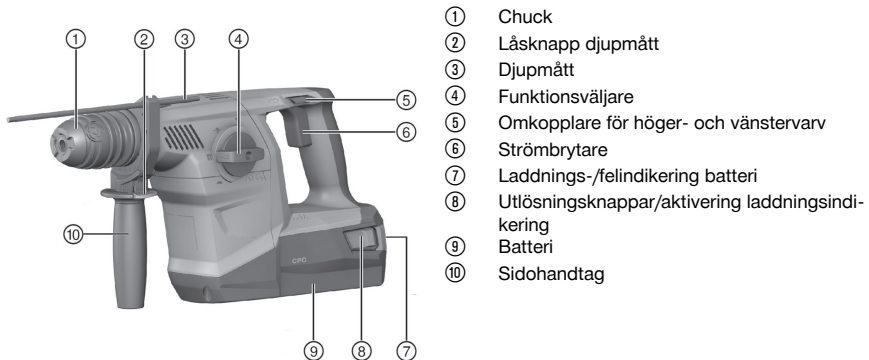
- ▶ Undersök om det finns dolda el-, gas- och vattenledningar inom arbetsområdet innan du påbörjar arbetet. Utanpåliggande metalldelar på produkten kan orsaka elstöt eller explosion om du skadar en el-, gas- eller vattenledning.

Omsorgsfull hantering och användning av elverktyg

- ▶ Vänta tills produkten har stannat helt innan du lägger den ifrån dig.

3 Beskrivning

3.1 Produktöversikt



3.2 Avsedd användning

Den produkt som beskrivs här är en batteridrivna kombihammare med pneumatisk slagmekanism. Den är avsedd för borring i betong, tegel, trä och metall. Produkten kan även användas för lätta till medellätta mejslingsarbeten i tegel och efterarbeten i betong.

- ▶ Använd endast **Hilti** litiumjonbatterier av typ B 36 med produkten.
- ▶ Använd endast **Hilti** batteriladdare i C4/36-serien för dessa batterier.

3.3 Möjlig felanvändning

- Den här produkten är inte avsedd för bearbetning av hälsovådliga material.
- Den här produkten är inte avsedd att användas i fuktiga miljöer.

3.4 ATC

Verktyget är försett med elektronisk snabbavstängning ATC (Active Torque Control).

Om insatsverktyget blockeras eller kläms fast, vrider sig verktyget plötsligt okontrollerat i motsatt riktning. ATC-funktionen känner av den plötsliga vridrörelsen och stänger genast av verktyget.



För att fungera normalt måste verktyget kunna rotera obehindrat.
 Efter snabbavstängning, stäng av verktyget och slå sedan på det igen.

3.5 Motorskydd

Produkten är utrustad med motorskydd. Det övervakar strömförbrukningen samt motoruppvärmningen och skyddar verktyget från överhettning.

Om motorn överbelastas genom för högt anpressningstryck minskar verktygets effekt påtagligt och det kan hända att verktyget stannar.



Om verktyget överbelastas så att det stannar eller tappar varvtalet bör du minska trycket och låta verktyget gå utan belastning i cirka 30 sekunder.

3.6 Indikering för litiumjonbatteriet

Litiumjonbatteriets laddningsstatus och störningar i verktyget signaleras via batteriets indikeringar. Tryck på en av litiumjonbatteriets låsknappar för att se batterinivån.

Status	Betydelse
4 lysdioder lyser.	Laddningsstatus: 75 % till 100 %
3 lysdioder lyser.	Laddningsstatus: 50 % till 75 %
2 lysdioder lyser.	Laddningsstatus: 25 % till 50 %
1 lysdiod lyser.	Laddningsstatus: 10 % till 25 %
1 lysdiod blinkar.	Laddningsstatus: < 10 %
1 lysdiod blinkar, verktyget är inte färdigt att användas.	Batteriet är överhettat eller helt urladdat.
4 lysdioder blinkar, verktyget är inte färdigt att användas.	Verktyget är överlastat eller överhettat.



Det går inte att få reda på laddningsstatus när strömbrytaren är intryckt och i upp till fem sekunder efter att strömbrytaren har släppts upp.

Läs anvisningarna i kapitlet Felsökning om lysdioderna för batteriindikering börjar blinka.

3.7 Leveransinnehåll

Kombihammare, sidohandtag med djupmått, bruksanvisning.



Använd endast originalreservdelar och förbrukningsmaterial för säker drift. Reservdelar, förbrukningsmaterial och tillbehör för din produkt från oss hittar du i ditt **Hilti**-center eller på adressen: www.hilti.com

4 Teknisk information

4.1 Teknisk information

	TE 30-A36
Märkspänning	36 V
Enkelslagsenergi enligt EPTA-direktivet 05/2009	3,6 J
Vikt	5,1 kg

4.2 Bullerinformation och vibrationsvärden enligt EN 62841

De ljudtrycks- och vibrationsvärden som anges i anvisningarna har uppmätts med en standardiserad mätmetod och kan användas för att jämföra olika elverktyg med varandra. De kan också användas för att göra en preliminär uppskattning av exponeringarna.

De angivna värdena representerar elverktygets huvudsakliga användning. När elverktyget begagnas inom andra områden, med andra insatsverktyg eller med otillräckligt underhåll, kan mätning ge avvikande värden. Det innebär att exponeringen under den totala arbetstiden kan ökas betydligt.

För att uppskattningen av exponeringarna ska bli exakt bör man också räkna in de tider då elverktyget är avstängt eller då det är påslaget men inte används. Det kan betydligt minska exponeringen under den totala arbetstiden.

Vidta även andra säkerhetsåtgärder för att skydda användaren mot effekterna av buller och vibrationer, exempelvis: underhåll av elverktyg och insatsverktyg, möjlighet att hålla händerna varma, välorganiserade arbetsförlöpp.



Bullervärden

	TE 30-A36
Ljudeffektnivå (L_{WA})	103 dB
Ljudtrycksnivå (L_{pA})	92 dB
Osäkerhet ljudeffekt/ljudnivå	3 dB

Sammanlagt vibrationsvärde

	TE 30-A36	
Borring i metall ($a_{h, HD}$)	5 m/s ²	
Hammarborring i betong ($a_{h, HD}$)	B 36/5.2	10,3 m/s ²
	B 36/9.0	9,3 m/s ²
Mejsling	B 36/5.2	8,5 m/s ²
	B 36/9.0	7,3 m/s ²
Osäkerhet	1,5 m/s ²	

5 Användning

5.1 Förberedelser för arbete

VARNING

Risk för personskada till följd av oavsiktlig start!

- ▶ Kontrollera att produkten är avstängd innan du sätter i batteriet.
- ▶ Ta alltid bort batteriet innan du gör några inställningar på verktyget eller byter tillbehördelar.

Observera de säkerhets- och varningsanvisningar som du hittar i dokumentationen och på själva enheten.

5.1.1 Sätta i batteriet

1. Sätt i batteriet i verktygshållaren så att du hör att det klickar fast.
2. Kontrollera att batteriet sitter stadigt.

5.1.2 Ta ut batteriet

1. Tryck på knappen för batteriets låsspärr.
2. Dra batteriet bakåt och ut.

5.1.3 Ladda batteriet



Kontrollera att utsidan på batteriet är ren och torr innan du sätter in det i den godkända batteriladdaren. Information om hur laddningen går till finns i laddarens bruksanvisning.

- ▶ Ladda batteriet i en godkänd batteriladdare.

5.1.4 Montera sidohandtaget

FÖRSIKTIGHET

Risk för personskada! Tappad kontroll över produkten.

- ▶ Kontrollera att sidohandtaget är korrekt monterat och ordentligt fastsatt. Se till att spännbandet ligger i det avsedda spåret på produkten.

1. Vrid på handtaget för att lossa sidohandtagsfästet (spännbandet).
2. Skjut fästet framifrån över chucken tills det går i det därför avsedda spåret.
3. Placera sidohandtaget i önskat läge.
4. Vrid på handtaget för att spänna fast sidohandtagsfästet (spännbandet).

5.1.5 Ställ in djupmått (tillval)

1. Tryck ner sidohandtagets utlösningsknapp.
2. Ställ in djupmättet till önskat borrdjup.
3. Släpp utlösningsknappen.



4. Kontrollera att sidohandtaget sitter ordentligt.

5.1.6 Demontera chuck

FÖRSIKTIGHET

Risk för personskada! Djupmått som monterats men inte används kan störa användaren.

- ▶ Ta bort djupmättet från produkten.



Innan du byter chuck, ställ funktionsväljaren på "Mejsling" .

1. Ta ut batteriet ur verktyget.
2. Håll i verktyget över chucken och dra upp de tre låsringarna.
3. För chucken uppåt och ta av den.

5.1.7 Montera chuck

FÖRSIKTIGHET

Risk för personskada! Djupmått som monterats men inte används kan störa användaren.

- ▶ Ta bort djupmättet från produkten.



Välj följande symbol i funktionsväljaren när du ska byta/demontera verktyg: .

1. Ta ut batteriet ur verktyget.
2. Håll i verktyget över chucken och dra upp de tre låsringarna.
3. Sätt chucken på fästet.
4. Vrid chucken tills den hakar fast.

5.1.8 Sätta i insatsverktyg

1. Fetta in insticksänden på insatsverktyget en aning.
 - ▶ Använd endast originalfett från **Hilti**. En felaktigt fett kan orsaka skador på verktyget.
2. Stick in insatsverktyget i chucken så att det går i lås.
3. Dra i verktyget efter isättning för att kontrollera att det sitter ordentligt fast.
 - ▶ Nu är produkten färdig att användas.

5.1.9 Ta ur insatsverktyg

FÖRSIKTIGHET

Risk för personskada från insatsverktyg! Insatsverktyget kan vara hett och ha skarpa kanter.

- ▶ Använd alltid skyddshandskar när du byter insatsverktyg.
- ▶ Dra chuckhylsan tillbaka till anslag och ta ut insatsverktyget.

5.2 Arbeta

FÖRSIKTIGHET

Risk för skador till följd av felaktig hantering!

- ▶ Använd inte rotationsriktningsomställaren och/eller funktionsväljaren under drift.

Observera de säkerhets- och varningsanvisningar som du hittar i dokumentationen och på själva enheten.

5.2.1 Funktionsväljare

- ▶ Ställ funktionsväljaren i önskat arbetsläge.
 - ▶ Funktionsväljaren får inte användas under drift. **Risk för skador!**

5.2.2 Borring utan slag

- ▶ Ställ funktionsväljaren på den här symbolen: .



5.2.3 Borring med slag (hammarborring)

- ▶ Ställ funktionsväljaren på den här symbolen:

5.2.4 Mejselpositionering

- ▶ Ställ funktionsväljaren på den här symbolen:
- ▶ Mejseln kan låsas fast i 12 olika lägen (i steg om 30°). Därigenom kan man alltid hitta en optimal arbetsställning vid arbete med flat- eller formmejsel.

5.2.5 Mejsling

- ▶ Ställ funktionsväljaren på den här symbolen:

5.2.6 Rotationsriktning

- ▶ Ställ in omkopplaren för höger- och vänstervarv på önskad rotationsriktning.

6 Skötsel och underhåll

VARNING

Risk för personskada vid anslutet batteri !

- ▶ Ta alltid bort batteriet innan skötsel och underhåll utförs!

Skötsel av produkten

- Ta försiktigt bort smuts som sitter fast.
- Rengör ventilationsspringorna försiktigt med en torr och mjuk borste i förekommande fall.
- Rengör höljet bara med en lätt fuktad trasa. Använd inte rengöringsmedel med silikon, eftersom det kan skada plastdelarna.
- Använd en ren och torr trasa för att rengöra produktens kontakter.

Skötsel av litiumjonbatterier

- Använd aldrig ett batteri med tilltäppta ventilationsspringor. Rengör ventilationsspringorna försiktigt med en torr och mjuk borste.
- Undvik att utsätta batteriet för onödigt mycket damm eller smuts. Utsätt aldrig batteriet för hög fukt (t.ex. genom att sänka ner det i vatten eller låta det stå i regnet). Om ett batteri har blivit genomblött ska det hanteras som ett skadat batteri. Förvara det i en brandsäker behållare och kontakta **Hilti**-service.
- Håll batteriet fritt från främmande olja och fett. Låt inte onödigt mycket damm eller smuts ansamlas på batteriet. Rengör batteriet med en mjuk borste eller en ren och torr trasa. Använd inte rengöringsmedel med silikon, eftersom det kan skada plastdelarna. Rör inte vid batteriets kontakter och ta inte bort fett på kontakterna som har applicerats i fabriken.
- Rengör höljet bara med en lätt fuktad trasa. Använd inte rengöringsmedel med silikon, eftersom det kan skada plastdelarna.

Underhåll

- Kontrollera regelbundet att inga synliga delar har skadats och att alla reglage fungerar som de ska.
- Använd inte produkten om den uppvisar skador eller funktionsstörningar. Låt **Hilti Service** reparera produkten omgående.
- Efter skötsel- och underhållsarbeten ska alla skyddsanordningar monteras igen och kontrolleras.



Använd endast originalreservdelar och förbrukningsmaterial för säker drift. Godkända reservdelar, förbrukningsmaterial och tillbehör till din produkt från **Hilti** hittar du i närmaste **Hilti Store** eller på: www.hilti.group

7 Transport och förvaring av sladdlösa verktyg och batterier

Transport

FÖRSIKTIGHET

Oavsiktlig start under transport. !

- ▶ Transportera alltid produkten utan insatta batterier.
- ▶ Ta ut batteriet/batterierna.



- ▶ Transportera aldrig batterierna löst liggande. Under transport ska batterierna skyddas mot alltför hårda stötar och vibrationer samt hållas isolerade från eventuella ledande material eller andra batterier så att de inte kommer i kontakt med andra batteripoler och orsakar en kortslutning. **Observera lokala transportföreskrifter för batterier.**
- ▶ Batterier får inte skickas per post. Vänd dig till ett fraktbolag om du vill skicka intakta batterier.
- ▶ Kontrollera produkt och batterier före varje användning samt före och efter längre transport för att se till att de inte är skadade.

Förvaring

VARNING

Oavsiktlig skada på grund av trasiga eller läckande batterier. !

- ▶ Förvara alltid produkten utan insatta batterier.
- ▶ Förvara produkt och batterier svalt och torrt. Följ de temperaturgränsvärden som anges i den tekniska informationen.
- ▶ Förvara inte batterierna i batteriladdaren. Ta alltid ur batteriet ur laddaren när laddningen är klar.
- ▶ Förvara aldrig batterier i solen, på värmekällor eller bakom glas.
- ▶ Förvara produkt och batteri utom räckhåll för barn och obehöriga personer.
- ▶ Kontrollera produkt och batterier före varje användning samt före och efter längre tids förvaring för att se till att de inte är skadade.

8 Felsökning

Kontakta **Hilti Service** om det uppstår ett fel som inte finns med i den här tabellen eller som du inte lyckas åtgärda på egen hand.

8.1 Kombihammare är fullt funktionsduglig

Fel	Möjlig orsak	Lösning
Batteriet laddas ur fortare än vanligt.	Batteriet fungerar inte optimalt.	▶ Byt ut batteriet.
Batteriet snäpper inte fast med ett hörbart "klick".	Batteriets låsmekanism är smutsig.	▶ Rengör låsmekanismen och sätt i batteriet igen.
Strömbrytaren kan inte tryckas ner eller är spärrad.	Omkopplaren för höger- och vänstervarv i mittenläge.	▶ Tryck omkopplaren för höger- och vänstervarv åt höger eller vänster.
Verktygsspindeln roterar inte.	Tillåten drifttemperatur för kombihammarens elektronik har överskridits.	▶ Låt kombihammaren svalna.
	Batteriet är urladdat.	▶ Byt batteri och ladda det tomma batteriet.
Kombihammaren stänger av sig automatiskt.	Överlastskyddet utlöses.	▶ Släpp strömbrytaren. Låt kombihammaren svalna. Använd strömbrytaren igen. Minska verktygsbelastningen.
Stark värmeutveckling i kombihammare eller batteri.	Elektriskt fel	▶ Stäng genast av kombihammaren. Ta bort batteriet och granska det. Låt det svalna. Kontakta Hilti-service .
	Kombihammaren har överbelastats (applikationsgräns överskriden).	▶ Välj ett verktyg som passar för uppgiften.
Det går inte att ta ut insatsverktyget ur chucken.	Chucken har inte dragits tillbaka helt.	▶ Dra chuckhylsan tillbaka till anslag och ta ut verktyget.
Borren går inte in i underlaget.	Kombihammaren är inställd på vänstervarv.	▶ Ställ omkopplaren för höger- och vänstervarv på högervarv.



8.2 Kombihammare är inte funktionsduglig

Fel	Möjlig orsak	Lösning
Lysdioderna visar inget.	Batteriet har inte satts in helt.	► Tryck in batteriet tills du hör ett "klick".
	Batteriet är urladdat.	► Byt batteri och ladda det tomma batteriet.
	Batteriet för varmt eller för kallt.	► Låt batteriet få rekommenderad arbetstemperatur.
1 lysdiod blinkar.	Batteriet är urladdat.	► Byt batteri och ladda det tomma batteriet.
	Batteriet för varmt eller för kallt.	► Låt batteriet få rekommenderad arbetstemperatur.
4 lysdioder blinkar.	Kombihammaren har överbelastats en kort stund.	► Släpp strömbrytaren och tryck in den igen.
	Överhettningsskydd.	► Låt kombihammaren svalna och rengör ventilasjonsspringorna.

9 Avfallshantering

Hilti-verktyg är till stor del tillverkade av återvinningsbara material. En förutsättning för återvinning är att materialen separeras på rätt sätt. I många länder kan du lämna in ditt uttjänta verktyg så att **Hilti** tar hand om det. Hör efter med **Hilti**s kundtjänst eller din kontaktperson.



- Kasta inte elverktyg, elektronisk apparatur och batterier i hushållssoporna.

10 Tillverkargaranti

- Vänd dig till din lokala **Hilti**-representant om du har frågor om garantivillkoren.

Original bruksanvisning

1 Informasjon om bruksanvisningen

1.1 Om denne bruksanvisningen

- Det er viktig at bruksanvisningen leses før produktet brukes for første gang. Dette er en forutsetning for sikkerhet under arbeidet og problemfri bruk.
- Følg sikkerhetsanvisningene og advarslene i denne bruksanvisningen og på produktet.
- Oppbevar alltid bruksanvisningen sammen med produktet, og sørg for at bruksanvisningen alltid følger med hvis produktet overtas av andre personer.

1.2 Symbolforklaring

1.2.1 Farehenvvisninger

Farehenvvisninger advarer mot farer under håndtering av produktet. Følgende signalord brukes:

FARE

FARE !

- For en umiddelbart truende fare som kan føre til alvorlige personskader eller død.

ADVARSEL

ADVARSEL !

- Varsler en mulig fare som kan føre til alvorlige personskader eller død.



FORSIKTIG
FORSIKTIG !

► Varsler om en mulig farlig situasjon som kan føre til personskade eller materiell skade.

1.2.2 Symboler i bruksanvisningen

Følgende symboler benyttes i denne bruksanvisningen:

	Følg bruksanvisningen
	Bruksanvisninger og andre nyttige opplysninger
	Håndtering av resirkulerbare materialer
	Ikke kast elektriske apparater eller batterier i husholdningsavfallet
	Hilti li-Ion-batteri
	Hilti Lader

1.2.3 Symboler i illustrasjoner

Følgende symboler brukes i illustrasjonene:

	Disse tallene viser til illustrasjonen i begynnelsen av denne bruksanvisningen.
3	Nummereringen i illustrasjoner henviser til viktige arbeidstrinn eller viktige komponenter for arbeidstrinnene. I teksten i blir disse arbeidstrinnene eller komponentene markert med tilhørende numre, f.eks. (3).
	Posisjonsnumrene brukes i illustrasjonen Oversikt og henviser til numrene på teksten i avsnittet Produktoversikt .
	Dette symbolet betyr at håndtering av produktet krever stor grad av oppmerksomhet.

1.3 Produktavhengige symboler

1.3.1 Symboler på produktet

Følgende symboler benyttes på produktet:

	Boring uten slag
	Boring med slag (hammerboring)
	Meisling
	Plassere meiselen
	Høyre-/venstregang
	Diameter
n_0	Nominelt tomgangsturtall
/min	Omdreininger per minutt
	Produktet støtter trådløs dataoverføring som er kompatibel med iOS- og Android-plattformer.
	Benyttet Hilti li-ion-batteriserie. Følg anvisningene i kapitlet Forskriftsmessig bruk .
Li-Ion	Li-ion-batteri
	Bruk aldri batteriet som slagverktøy.





Ikke mist ned batteriet. Ikke bruk et batteri som har vært utsatt for støt eller er skadet på annen måte.

1.4 Produktinformasjon

HILTI-produkter er laget for profesjonell bruk og må kun brukes, vedlikeholdes og repareres av kyndig personale. Dette personalet må informeres om eventuelle farer som kan oppstå. Produktet og tilleggsutstyr kan utgjøre en fare hvis det betjenes av ukvalifisert personale eller det benyttes feil.

Typebetegnelse og serienummer står på typeskiltet.

- ▶ Skriv inn serienummeret i tabellen nedenfor. Du trenger produktspesifikasjonene ved henvendelser til Hiltis representant eller servicesenter.

Produktspesifikasjoner

Kombihammer	TE 30-A36
Generasjon	03
Serienummer	

1.5 Samsvarserklæring

Vi erklærer herved at produktet som er beskrevet her, er i samsvar med gjeldende normer og direktiver. Du finner et bilde av samsvarserklæringen på slutten av denne dokumentasjonen.

Den tekniske dokumentasjonen er lagret her:

Hilti Entwicklungsgesellschaft mbH | Zulassung Geräte | Hiltistraße 6 | 86916 Kaufering, DE

2 Sikkerhet

2.1 Generelle sikkerhetsregler for elektroverktøy

⚠ ADVARSEL Les alle sikkerhetsanvisninger, instruksjoner, illustrasjoner og tekniske data som elektroverktøyet er utstyrt med. Manglende overholdelse av anvisningene nedenfor kan medføre elektrisk støt, brann og/eller alvorlige personskader.

Overhold alle sikkerhetsanvisninger og instruksjoner i hele bruksperioden.

Begrepet "elektroverktøy" som er brukt i sikkerhetsanvisningene, viser til nettdrevne elektroverktøy (med nettkabel) eller til batteridrevne elektroverktøy (uten nettkabel).

Sikkerhet på arbeidsplassen

- ▶ **Hold arbeidsområdet rent og godt opplyst.** Rotete eller dårlig belyste arbeidsområder kan føre til ulykker.
- ▶ **Bruk ikke elektroverktøyet i eksplosjonsfarlige omgivelser hvor det befinner seg brennbare flytende stoffer, gasser eller støv.** Elektroverktøy lager gnister som kan antenne støv eller damp.
- ▶ **Hold barn og andre personer på sikker avstand mens elektroverktøyet brukes.** Hvis du blir forstyrret under arbeidet, kan du miste kontrollen over verktøyet.

Elektrisk sikkerhet

- ▶ **Elektroverktøyets støpsel må passe i stikkontakten. Støpselet må ikke forandres på noen som helst måte. Bruk ikke adapterkontakt på jordete elektroverktøy.** Uendrede støpsler og egnede stikkontakter minsker risikoen for elektrisk støt.
- ▶ **Unngå kroppskontakt med jordete overflater som rør, radiatorer, komfyrer eller kjøleskap.** Risikoen for elektriske støt er høyere når kroppen er jordet.
- ▶ **Hold elektroverktøyet unna regn og fuktighet.** Risikoen for elektrisk støt øker ved inntrenging av vann i et elektroverktøy.
- ▶ **Bruk ikke ledningen til å bære elektroverktøyet, henge det opp eller til å dra støpselet ut av stikkontakten. Hold ledningen unna varme, olje, skarpe kanter og deler som beveger seg.** Skadde eller sammenviklede ledninger øker risikoen for elektriske støt.
- ▶ **Bruk kun skjøteledninger som også er godkjent for utendørs bruk når du arbeider med et elektroverktøy utendørs.** Bruk av skjøteledning som er egnet til utendørs bruk, minsker risikoen for elektrisk støt.
- ▶ **Må elektroverktøyet brukes i fuktige omgivelser, er det nødvendig å bruke en jordfeilbryter.** Bruk av en jordfeilbryter reduserer risikoen for elektrisk støt.

Personsikkerhet

- ▶ **Vær oppmerksom, pass på hva du gjør, og gå fornuftig fram under arbeidet med et elektroverktøy. Ikke bruk elektroverktøy når du er trøtt eller påvirket av narkotika, alkohol eller medikamenter.**



Et øyeblikks uoppmerksomhet ved bruk av elektroverktøyet kan være nok til å forårsake alvorlige personskader.

- ▶ **Bruk alltid personlig verneutstyr og vernebriller.** Bruk av personlig verneutstyr som støvmaske, sklisikre vernesko, hjelm eller hørselsvern – avhengig av type og bruk av elektroverktøyet – reduserer risikoen for skader.
- ▶ **Unngå utilsiktet start. Forsikre deg om at elektroverktøyet er slått av før du setter i stikkkontakten eller batteriet og før du løfter eller flytter elektroverktøyet.** Hvis du holder fingeren på bryteren når du bærer elektroverktøyet, eller kobler elektroverktøyet til strøm i innkoblet tilstand, kan dette føre til uhell.
- ▶ **Fjern justeringsverktøy og skrunøkkel før du slår på elektroverktøyet.** Et verktøy eller en nøkkel som befinner seg i en roterende maskindel, kan føre til skader.
- ▶ **Unngå uhensiktsmessige arbeidsposisjoner. Sørg for å stå stødig og i balanse.** Dermed kan du kontrollere elektroverktøyet bedre i uventede situasjoner.
- ▶ **Bruk egnede klær. Ikke bruk vide klær eller smykker. Hold hår, tøy og hansker unna deler som beveger seg.** Løstsittende tøy, smykker eller langt hår kan komme inn i deler som beveger seg.
- ▶ **Hvis det er montert støvavsugs- og oppsamlingsinnretninger, må det kontrolleres at disse er koblet til og blir brukt på riktig måte.** Bruk av støvavsug kan redusere faremomentene i forbindelse med støv.
- ▶ **Ikke føl deg for trygg og ikke bryt sikkerhetsreglene for elektroverktøy, heller ikke når du etter lang tids bruk er blitt fortrolig med elektroverktøyet.** Et øyeblikks uaktsomhet kan føre til alvorlige personskader.

Bruk og behandling av elektroverktøyet

- ▶ **Ikke overbelast verktøyet. Bruk et elektroverktøy som er beregnet til den type arbeid du vil utføre.** Med et passende elektroverktøy arbeider du bedre og sikrer i det angitte effektområdet.
- ▶ **Ikke bruk elektroverktøy med defekt bryter.** Et elektroverktøy som ikke lenger kan slås av eller på, er farlig og må repareres.
- ▶ **Dra ut støpselet fra stikkkontakten og/eller ta ut et uttakbart batteri før du foretar maskininnstillinger, bytter tilleggsgutstyr eller legger bort verktøyet.** Disse tiltakene forhindrer utilsiktet start av elektroverktøyet.
- ▶ **Oppbevar elektroverktøy som ikke brukes, utenfor barns rekkevidde. La ikke personer som ikke er fortrolige med verktøyet eller ikke har lest disse instruksjonene, bruke verktøyet.** Elektroverktøy er farlige når de brukes av uerfarne personer.
- ▶ **Sørg for grundig stell og vedlikehold av elektroverktøyet med tilbehør. Kontroller at bevegelige deler på elektroverktøyet fungerer feilfritt og ikke klemmes fast, og at ingen deler er brukt eller skadet, slik at dette innvirker på elektroverktøyet funksjon. La skadde deler repareres før elektroverktøyet brukes.** Mange ulykker er et resultat av dårlig vedlikeholdte elektroverktøy.
- ▶ **Hold skjæreverktøy skarpe og rene.** Godt vedlikeholdte skjæreverktøy med skarpe skjærekanter blir sjeldnere fastklemt og er lettere å styre.
- ▶ **Bruk elektroverktøy, tilbehør, arbeidsverktøy osv. i overensstemmelse med denne anvisningen. Ta hensyn til arbeidsforholdene og arbeidet som skal utføres.** Bruk av elektroverktøy til andre formål enn det som er angitt, kan føre til farlige situasjoner.
- ▶ **Hold håndtak og gripeflater tørre, rene og frie for olje og fett.** Glatte håndtak og gripeflater gir ikke sikker betjening og kontroll av elektroverktøyet i uforutsette situasjoner.

Bruk og behandling av det batteridrevne elektroverktøyet

- ▶ **Bruk kun ladere som er anbefalt av produsenten når du skal lade batteriene.** Det oppstår brannfare når det brukes andre batterier i en lader enn dem laderen er egnet for.
- ▶ **Bruk bare batterier som er beregnet for de forskjellige elektroverktøyene.** Bruk av andre batterier kan medføre skader og brannfare.
- ▶ **Unngå å oppbevare ubrukte batterier i nærheten av binders, mynter, nøkler, nagler, skruer eller andre små metallgjenstander som kan forårsake kortslutning av kontakten.** En kortslutning mellom batterikontaktene kan føre til forbrenninger eller brann.
- ▶ **Ved feil bruk kan væske lekke fra batteriet. Unngå kontakt med denne væsken. Ved tilfeldig kontakt må det skylles med vann. Hvis det kommer væske i øynene, må du i tillegg oppsøke lege.** Batterivæske som renner ut, kan føre til irritasjoner på huden eller forbrenninger.
- ▶ **Ikke bruk batterier som er skadde eller modifiserte.** Skadde eller modifiserte batterier kan oppføre seg uforutsigbart og forårsake brann, eksplosjon eller personskade.
- ▶ **Ikke utsett batteriet for åpen ild eller høye temperaturer.** Ild eller temperaturer over 130 °C (265 °F) kan forårsake eksplosjon.
- ▶ **Følg alle anvisningene for lading, og lad aldri batteriet eller det batteridrevne verktøyet utenfor temperaturområdet som er angitt i bruksanvisningen.** Feil lading eller lading utenfor det tillatte temperaturområdet kan ødelegge batteriet og øke brannfaren.



Service

- ▶ **Elektroverktøyet må kun repareres av kvalifisert fagpersonale og kun med originale reservedeler.** Slik opprettholdes maskinens sikkerhet.
- ▶ **Vedlikehold ikke skadde batterier.** Alt vedlikehold på batterier skal utføres av produsenten eller et godkjent serviceverksted.

2.2 Sikkerhetsanvisninger for borhammere

Sikkerhetsanvisninger for alt arbeid

- ▶ **Bruk hørselsvern.** Påvirkning av støy kan føre til hørselstap.
- ▶ **Bruk håndtakene som leveres med maskinen.** Tap av kontroll kan føre til skader.
- ▶ **Hold maskinen i de isolerte håndtakene når du utfører arbeid der verktøyet kan komme i kontakt med elektriske ledninger.** Kontakt med en spenningsførende ledning kan også sette maskinens metalldeleer under spenning og føre til elektrisk støt.

Sikkerhetsanvisninger ved bruk av lange bor

- ▶ **Begynn alltid å bore med lavt turtall og mens boret er i kontakt med arbeidsemnet.** Ved høyere turtall kan boret lett bøyes når det kan rotere fritt uten kontakt med arbeidsemnet, og dette kan føre til personskader.
- ▶ **Ikke trykk for hardt på boret, og trykk bare i lengderetningen i forhold til boret.** Bor kan bøyes og dermed brenke eller føre til tap av kontroll og personskader.

2.3 Ekstra sikkerhetsanvisninger for meiselhammer

Personsikkerhet

- ▶ Bruk produktet og tilbehøret bare i teknisk feilfri stand.
- ▶ Ikke foreta manipulering eller endring av produktet eller tilbehør.
- ▶ Sørg for at du står støtt ved meisling i tak, vegger og gulv. Du kan miste balansen ved et plutselig gjennombrudd!
- ▶ Ved gjennombruddsarbeider må området på den andre siden sikres. Deler som brytes ut, kan falle ut og/eller ned og skade andre personer.
- ▶ Ved bruk må du og andre personer i nærheten alltid bruke egnede vernebriller, vernehjelm, hørselsvern og en lett ansiktsmaske.
- ▶ Bruk vernehansker ved skifte av verktøy. Berøring av innsatsverktøyet kan føre til kuttskader og forbrenninger.
- ▶ Bruk øyevern. Splintret materiale kan skade kroppen og øynene.
- ▶ Støv som oppstår ved sliping, smergling, kapping og boring kan inneholde farlige kjemikalier. Noen eksempler er: bly eller blybasert maling; tegl, betong og andre murverksprodukter, naturstein og andre silikatholdige produkter; bestemt tresorter, slik som eik, bøk og kjemisk behandlet trevirke; asbest eller asbestholdige materialer. Kartlegg hvor eksponert brukeren og personer i nærheten er ved hjelp av fareklassen til materialene som det arbeides med. Treff nødvendige tiltak for å holde eksponeringen på et trygt nivå, f.eks. ved å bruke et støvoppsamlingsystem eller egnet åndedrettsvern. Til de generelle tiltakene for å redusere eksponeringen hører:
 - ▶ arbeid i et godt ventilert område,
 - ▶ unngå langvarig kontakt med støv,
 - ▶ led bort støv fra ansikt og kropp,
 - ▶ bruk verneutstyr og vask eksponerte områder med vann og såpe.
- ▶ Ta hyppige pauser og gjør øvelser for å øke blodgjennomstrømmingen i fingrene. Ved langvarig arbeid kan kraftige vibrasjoner føre til forstyrrelser i blodkar eller nervesystemet i fingre, hender eller håndledd.

Elektrisk sikkerhet

- ▶ Kontroller før arbeidet påbegynnes at det ikke finnes skjulte strømledninger, gass- eller vannrør i arbeidsområdet. Utvendige metalldeleer på produktet kan forårsake elektrisk støt eller en eksplosjon dersom du skader en strømledning, et gass- eller vannrør.

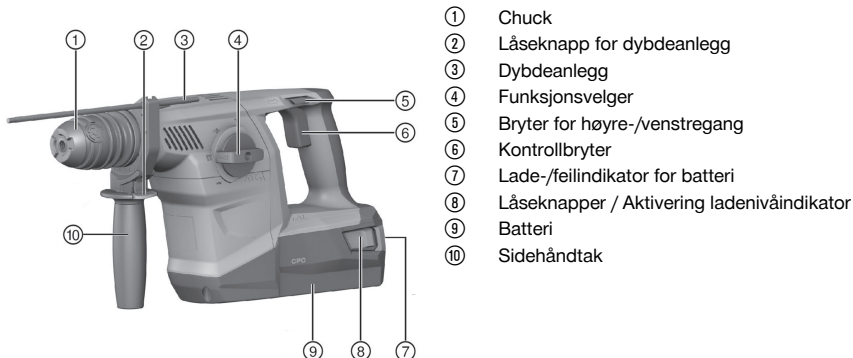
Forsiktig behandling og bruk av elektroverktøy

- ▶ Vent til produktet har stanset helt før du legger det fra deg.



3 Beskrivelse

3.1 Produktoversikt



3.2 Forskriftsmessig bruk

Det beskrevne produktet er en batteridrevet kombihammer med pneumatisk slagmekanisme. Den er beregnet for boring i betong, mur, tre og metall. Produktet er også egnet for lett til middels meisling i mur og etterarbeid i betong.

- ▶ Til dette produktet må det bare brukes **Hilti** Li-Ion-batterier i serien B 36.
- ▶ Bruk bare **Hilti**-laderne i C4/36-serien til disse batteriene.

3.3 Mulig feilbruk

- Dette produktet er ikke beregnet til arbeid med helsefarlige materialer.
- Dette produktet er ikke beregnet til arbeid i fuktige omgivelser.

3.4 ATC

Produktet er utstyrt med den elektroniske hurtigutkoblingen ATC (Active Torque Control).

Hvis innsatsverktøyet blokkeres eller klemmes fast, begynner produktet plutselig å rotere ukontrollert i den motsatte retningen. ATC registrerer denne plutselige rotasjonsbevegelsen til produktet og slår produktet av umiddelbart.

- For riktig funksjon må produktet kunne rotere. Slå produktet av og på igjen etter hurtigutkoblingen.

3.5 Motorvern

Produktet er utstyrt med motorvern. Motorvernet overvåker strømforbruket og oppvarmingen av motoren og beskytter maskinen mot overoppheting.

Skulle motoren bli overbelastet på grunn av for høyt presstrykk, synker maskinens ytelse merkbart og maskinen kan stanse.

Hvis det oppstår stillstand eller turtallsreduksjon på grunn av overbelastning, må du redusere trykket på maskinen og la den gå ca. 30 sekunder på tomgang.

3.6 Indikator for Li-Ion-batteriet

Ladenivået for Li-Ion-batteriet og feil på maskinen varsles via indikatoren på Li-Ion-batteriet. Ladenivået for Li-Ion-batteriet vises når du trykker på en av låseknappene for batteriet.

Tilstand	Betydning
4 LED-er lyser.	Ladenivå: 75 % til 100 %
3 LED-er lyser.	Ladenivå: 50 % til 75 %
2 LED-er lyser.	Ladenivå: 25 % til 50 %



Tilstand	Betydning
1 LED lyser.	Ladenivå: 10 % til 25 %
1 LED blinker.	Ladenivå: < 10 %
1 LED blinker, maskinen er ikke klar til bruk.	Batteriet er overopphetet eller helt utladet.
4 LED-er blinker, maskinen er ikke klar til bruk.	Maskinen er overbelastet eller overopphetet.



Når du trykker på kontrollbryteren og inntil 5 sekunder etter at du har sluppet kontrollbryteren, er det ikke mulig å sjekke ladenivået.

Ved blinkende LED-er på batteriets indikator må du følge henvisningene i kapitlet Feilsøking.

3.7 Dette følger med:

kombihammer, sidehåndtak med dybdeanlegg, bruksanvisning.



Av hensyn til sikkerheten må du bare bruke originale reservedeler og forbruksmateriell. Reservedeler, forbruksmateriell og tilbehør til produktet som er godkjent av oss, finner du hos **Hilti** eller under: www.hilti.com

4 Tekniske data

4.1 Tekniske data

	TE 30-A36
Merkespenning	36 V
Enkeltslagenergi i henhold til EPTA-prosedyre 05/2009	3,6 J
Vekt	5,1 kg

4.2 Støyinformasjon og vibrasjonsverdier iht. EN 62841

Lydtrykk- og vibrasjonsverdiene som er angitt i denne bruksanvisningen, er målt i samsvar med en normert målemetode og kan brukes til sammenligning av elektroverktøy. De egner seg også til en foreløpig vurdering av eksponeringene.

De angitte dataene representerer de viktigste bruksområdene for elektroverktøyet. Men hvis elektroverktøyet brukes til andre formål, med avvikende innsatsverktøy eller med utilstrekkelig vedlikehold, kan dataene avvike. Dette kan øke eksponeringene betraktelig gjennom hele arbeidsperioden.

For å få en nøyaktig vurdering av eksponeringene må man også ta hensyn til tidsrommene da elektroverktøyet er slått av eller er i gang, men ikke i bruk. Dette kan redusere eksponeringene betraktelig gjennom hele arbeidsperioden.

Fastsett ekstra sikkerhetstiltak for å beskytte operatøren mot effekten av støy og/eller vibrasjoner, for eksempel: Vedlikehold av elektroverktøy og innsatsverktøy, holde hendene varme, organisering av arbeidsprosesser.

Støyutslippsverdier

	TE 30-A36
Lydeffektnivå (L_{WA})	103 dB
Lydtrykknivå (L_{pA})	92 dB
Usikkerhet lydeffekt / lydnivå	3 dB

Totale vibrasjonsverdier

	TE 30-A36	
Boring i metall ($a_{h, HD}$)	5 m/s ²	
Hammerboring i betong ($a_{h, HD}$)	B 36/5.2	10,3 m/s ²
	B 36/9.0	9,3 m/s ²
Meisling	B 36/5.2	8,5 m/s ²
	B 36/9.0	7,3 m/s ²
Usikkerhet	1,5 m/s ²	



5 Betjening

5.1 Klargjøring til arbeidet

ADVARSEL

Fare for personskader på grunn av utilsiktet start!

- ▶ Før batteriet settes i, må det kontrolleres at det tilhørende produktet er slått av.
- ▶ Fjern batteriet før du foretar maskininnstillinger eller skifter tilbehørsdeler.

Følg sikkerhetshenvisningene og advarslene i denne dokumentasjonen og på produktet.

5.1.1 Sette inn batteri

1. Sett batteriet inn i holderen på maskinen til det klikker hørbart på plass.
2. Kontroller at batteriet sitter godt fast.

5.1.2 Ta ut batteriet

1. Trykk på låseknappene på batteriet.
2. Trekk batteriet ut bakover.

5.1.3 Lade batteriet



Kontroller at utsiden av batteriet er ren og tørr før du setter batteriet inn i den godkjente laderen. Les bruksanvisningen til laderen før opplading.

- ▶ Lad opp batteriet i en godkjent lader.

5.1.4 Montere sidehåndtak

FORSIKTIG

Fare for personskader! Tap av kontroll over produktet.

- ▶ Kontroller at sidehåndtaket er riktig montert og forskriftsmessig festet. Kontroller at klemmen ligger i sporet som er beregnet for dette på produktet.
1. Vri på håndtaket for å løsne holderen (klemmen) på sidehåndtaket.
 2. Skyv holderen (klemmen) forfra over chucken til kilesporet som er beregnet til dette.
 3. Plasser sidehåndtaket i ønsket stilling.
 4. Vri på håndtaket for å stramme holderen (klemmen) på sidehåndtaket.

5.1.5 Stille inn dybdeanlegg (ekstraustyr)

1. Trykk ned låseknappen på sidehåndtaket.
2. Still inn dybdeanlegget på ønsket boredybde.
3. Slipp låseknappen.
4. Kontroller at sidehåndtaket sitter godt fast.

5.1.6 Demontere chucken

FORSIKTIG

Fare for personskader! Hindring av brukeren på grunn av montert, men ikke brukt dybdeanlegg.

- ▶ Fjern dybdeanlegget fra produktet.



Ved skifte av chuck velger du posisjonen "Meisling"  på funksjonsvelgeren.

1. Ta batteriet ut av maskinen.
2. Hold rundt chucken og trekk de 3 ringene i låsen oppover.
3. Ta av chucken oppover.




5.1.7 Montere chucken

FORSIKTIG

Fare for personskader! Hindring av brukeren på grunn av montert, men ikke brukt dybdeanlegg.

- ▶ Fjern dybdeanlegget fra produktet.



Ved skifte av chuck velger du dette symbolet på funksjonsvelgeren: .

1. Ta batteriet ut av maskinen.
2. Hold rundt chucken og trekk de 3 ringene i låsen oppover.
3. Sett chucken på holderen.
4. Drei chucken til den går i lås.

5.1.8 Sette inn verktøy

1. Smør innstikkenden til innsatsverktøyet med litt fett.
 - ▶ Bruk bare originalfett fra **Hilti**. Feil fett kan forårsake skade på maskinen.
2. Sett innsatsverktøyet helt inn i chucken slik at det klikker på plass.
3. Trekk i verktøyet etter at du har satt det i, for å forsikre deg om at det er godt festet.
 - ▶ Produktet er klart til bruk.

5.1.9 Ta ut verktøyet

FORSIKTIG

Fare for personskade på grunn av innsatsverktøy! Innsatsverktøyet kan være varmt og ha skarpe kanter.

- ▶ Bruk vernehansker når du skifter innsatsverktøy.
- ▶ Trekk verktøylåsen tilbake til anslag og ta ut innsatsverktøyet.

5.2 Arbeid

FORSIKTIG

Fare for materiell skade på grunn av feilhåndtering!

- ▶ Ikke betjen bryteren for rotasjonsretning og/eller funksjonsvalg under drift.

Følg sikkerhetshenvisningene og advarslene i denne dokumentasjonen og på produktet.

5.2.1 Funksjonsvelger

- ▶ Still inn funksjonsvelgeren på ønsket arbeidsstilling.
 - ▶ Funksjonsvelgeren må ikke betjenes under drift. **Fare for materiell skade!**

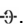
5.2.2 Boring uten slag

- ▶ Still inn funksjonsvelgeren på dette symbolet: .

5.2.3 Boring med slag (hammerboring)

- ▶ Still inn funksjonsvelgeren på dette symbolet: .

5.2.4 Plassere meiselen

- ▶ Still inn funksjonsvelgeren på dette symbolet: .
 - ▶ Meiselen kan sperres i 12 ulike posisjoner (i trinn på 30°). Derfor kan man alltid finne den optimale arbeidsstillingen når man jobber med flat- og formmeisel.

5.2.5 Meisling

- ▶ Still inn funksjonsvelgeren på dette symbolet: .

5.2.6 Høyre-/venstregang

- ▶ Still inn bryteren for høyre-/venstregang i ønsket dreieretning.



6 Pleie og vedlikehold

ADVARSEL

Fare for personskader på grunn av isatt batteri !

- ▶ Ta alltid ut batteriet før stell og vedlikeholdsarbeid!
-

Pleie av produktet

- Fjern forsiktig gjenstridig smuss.
- Rengjør ventilasjonsåpningene, der slike finnes, forsiktig med en tørr og myk børste.
- Rengjør huset bare med en lett fuktet klut. Ikke bruk silikonholdige pleiemidler, ettersom dette kan angripe plastdelene.
- Bruk en ren og tørr klut for å rengjøre kontaktene på produktet.

Pleie av li-ion-batterier

- Bruk aldri et batteri med tilstoppede ventilasjonsåpninger. Rengjør ventilasjonsåpningene forsiktig med en tørr og myk børste.
- Unngå at batteriet unødig utsettes for støv eller smuss. Ikke utsett batteriet for høy fuktighet (f.eks. ved å dyppe det i vann eller la det stå ute i regnet).
Hvis et batteri blir gjennomvått, må det behandles som et skadet batteri. Isoler det i en ikke-brennbar beholder, og kontakt **Hilti** service.
- Hold batteriet fritt for fremmed olje og fett. Ikke la unødig støv eller smuss samle seg på batteriet. Rengjør batteriet med en tørr og myk børste eller en ren og tørr klut. Ikke bruk silikonholdige pleiemidler, ettersom dette kan angripe plastdelene.
Ikke berør kontaktene på batteriet, og ikke fjern fett som er smurt på kontaktene fra fabrikken.
- Rengjør huset bare med en lett fuktet klut. Ikke bruk silikonholdige pleiemidler, ettersom dette kan angripe plastdelene.

Vedlikehold

- Kontroller alle synlige deler regelmessig mht. skade og alle betjeningslementer mht. feilfri funksjon.
 - Ved skader og/eller funksjonsfeil må produktet ikke brukes. Få produktet omgående reparert av **Hilti** service.
 - Monter alle beskyttelsesinnretninger etter pleie- og vedlikeholdsarbeid, og kontroller at de fungerer feilfritt.
-



Av hensyn til sikkerheten må du bare bruke originale reservedeler og forbruksmateriell. Reservedeler, forbruksmateriell og tilbehør som er godkjent av **Hilti**, finner du i nærmeste **Hilti Store** eller på: www.hilti.group

7 Transport og lagring av batteriverktøy og batterier

Transport

FORSIKTIG

Utsikket start under transport !

- ▶ Transporter alltid produktene dine uten batterier!
- ▶ Ta ut batteri(er).
- ▶ Batterier må aldri transporteres løst. Under transport må batteriene beskyttes mot kraftige støt og vibrasjoner og isoleres fra ledende materialer og andre batterier, slik at de ikke kan komme i berøring med andre batteripoler og dermed forårsake kortslutning. **Følg lokale transportforskrifter for batterier.**
- ▶ Batterier må ikke sendes i posten. Kontakt et transportfirma hvis du vil sende uskadde batterier.
- ▶ Kontroller produkt og batterier med henblikk på skader før hver bruk samt før og etter lengre transport.

Lagring

ADVARSEL

Utsikket skade på grunn av defekte batterier eller lekkasje fra batterier !

- ▶ Oppbevar alltid produktene dine uten batterier!
- ▶ Oppbevar produkt og batterier kjølig og tørt. Ta hensyn til temperaturgrensene som er angitt under tekniske data.
- ▶ Ikke oppbevar batterier på laderen. Ta alltid batteriet ut av laderen etter ferdig lading.
- ▶ Batterier må aldri oppbevares i solen, på varmekilder eller bak glass.



- ▶ Oppbevar produktet og batterier utenfor barns og uvedkommendes rekkevidde.
- ▶ Kontroller produkt og batterier med henblikk på skader før hver bruk samt før og etter lengre tids lagring.

8 Feilsøking

Ved feil som ikke står i denne tabellen eller som du selv ikke kan rette opp, må du kontakte **Hilti Service**.

8.1 Kombihammeren er klar til bruk

Feil	Mulig årsak	Løsning
Batteriet blir raskere tomt enn vanlig.	Batteriets tilstand er ikke optimal.	▶ Skift ut batteriet.
Batteriet festes ikke med et hørbart klikk.	Festetappene på batteriet er skitne.	▶ Rengjør festetappene og sett batteriet inn igjen.
Kontrollbryteren kan ikke trykkes inn eller er blokkert.	Bryteren for høyre-/venstregang er i midtstilling.	▶ Trykk bryteren for høyre-/venstregang mot høyre eller venstre.
Maskinens spindel dreier ikke.	Den tillatte driftstemperaturen for elektronikken i kombihammeren er overskredet.	▶ La kombihammeren avkjøles.
	Utladet batteri.	▶ Skift batteri og lad tomt batteri.
Kombihammeren slår seg av automatisk.	Overbelastningsvernet utløses.	▶ Slipp kontrollbryteren. La kombihammeren avkjøles. Trykk ned kontrollbryteren igjen. Reduser maskinbelastningen.
Sterk varmeutvikling i kombihammeren eller batteriet.	Elektrisk defekt	▶ Slå kombihammeren av umiddelbart. Ta ut batteriet og undersøk det. La det avkjøles. Kontakt Hilti service .
	Kombihammeren er overbelastet (bruksgrense overskredet).	▶ Velg en maskin som er tilpasset bruksområdet.
Verktøyet løsner ikke fra chucken.	Chucken er ikke trukket helt tilbake.	▶ Trekk verktøylåsen tilbake til anslag og ta ut verktøyet.
Boret trenger ikke inn i materialet.	Kombihammeren stilt inn på venstregang.	▶ Still inn høyregang med bryteren for høyre-/venstregang.

8.2 Kombihammeren er ikke klar til bruk

Feil	Mulig årsak	Løsning
LED-ene vises ikke.	Batteriet er ikke satt helt i.	▶ La batteriet gå i lås med et klikk.
	Utladet batteri.	▶ Skift batteri og lad tomt batteri.
	Batteriet er for varmt eller for kaldt.	▶ Bring batteriet til anbefalt driftstemperatur.
1 LED blinker.	Utladet batteri.	▶ Skift batteri og lad tomt batteri.
	Batteriet er for varmt eller for kaldt.	▶ Bring batteriet til anbefalt driftstemperatur.
4 LED-er blinker.	Kombihammeren er kortvarig overbelastet.	▶ Slipp kontrollbryteren og trykk den inn på nytt.
	Overopphetingsvern.	▶ La kombihammeren avkjøles, og rengjør ventilasjonsåpningene.

9 Avhending

Hilti maskiner er i stor grad laget av resirkulerbart materiale. En forskriftsmessig materialsortering er en forutsetning for resirkulering. I mange land tar **Hilti** din gamle maskin i retur. Spør **Hilti** kundeservice eller forhandleren din.





► Kast aldri elektroverktøy, elektronisk utstyr eller batterier i husholdningsavfallet!

10 Produsentgaranti

► Når det gjelder spørsmål om garantibetingelser, ber vi deg kontakte din lokale **Hilti**-partner.

Alkuperäiset ohjeet

1 Tämän käyttöohjeen tiedot

1.1 Tästä käyttöohjeesta

- Lue ehdottomasti tämä käyttöohje ennen tuotteen käyttämistä. Se on turvallisen työn teon ja tuotteen ongelmattoman käsittelyn perusedellytys.
- Noudata tässä käyttöohjeessa annettuja ja tuotteessa olevia turvallisuus- ja varoitushuomautuksia.
- Säilytä käyttöohje aina tuotteen yhteydessä, ja anna tuote toiselle henkilölle aina käyttöohjeen kanssa.

1.2 Merkkien selitykset

1.2.1 Varoitushuomautukset

Varoitushuomautukset varoittavat tuotteen käyttöön liittyvistä vaaroista. Seuraavia varoitustekstejä käytetään:



VAKAVA VAARA

VAKAVA VAARA !

- Varoittaa uhkaavasta vaaratilanteesta, josta voi seurauksena olla vakava loukkaantuminen tai jopa kuolema.



VAARA

VAARA !

- Varoittaa mahdollisesta vaarasta, josta voi seurauksena olla vakava loukkaantuminen tai kuolema.



VAROITUS

HUOMIO !

- Varoittaa mahdollisesta vaaratilanteesta, josta voi seurata loukkaantuminen tai aineellinen vahinko.

1.2.2 Symbolit käyttöohjeessa

Tässä käyttöohjeessa käytetään seuraavia symboleita:



Noudata käyttöohjetta



Toimintaohjeita ja muuta hyödyllistä tietoa



Kierrätyskelpoisten materiaalien käsittely



Älä hävitä sähkölaitteita ja akkuja tavallisen sekajätteen mukana



Hilti Litiumioniakku



Hilti Laturi

1.2.3 Symbolit kuvissa

Kuvissa käytetään seuraavia symboleita:

2

Nämä numerot viittaavat vastaavaan kuvaan tämän käyttöohjeen alussa.



3	Numerointi kuvissa viittaa tärkeisiin työvaiheisiin tai työvaiheiden kannalta tärkeisiin rakenneosiin. Nämä vastaavasti numeroidut työvaiheet tai rakenneosat korostetaan tekstissä, esimerkiksi (3) .
11	Kohtanumeroita käytetään kuvassa Yleiskuva , ja ne viittaavat kuvatekstien numerointiin kappaleessa Tuoteyhteenveto .
!	Tämän merkin tarkoitus on kiinnittää erityinen huomiosi tuotteen käyttöön ja käsittelyyn.

1.3 Tuotekohtaiset symbolit

1.3.1 Symbolit tuotteessa

Tuotteessa käytetään seuraavia symboleita:

	Poraaminen ilman iskuja
	Poraaminen iskulla (iskuporaus)
	Piikkaaminen
	Piikkausterän kohdistaminen
	Suunnanvaihtokytkin vasemmalle/oikealle
	Halkaisija
n_0	Nimellisjoutokäyntikierrosluku
/min	Kierrosta minuutissa
	Tuote tukee langatonta tiedonsiirtoa, joka on yhteensopiva iOS- ja Android-alustojen kanssa.
	Käytettävien Hilti -litiumioniakkujen tyyppisarja. Ota kappaleessa Tarkoituksenmukainen käyttö annetut tiedot huomioon.
Li-Ion	Litiumioniakku
	Älä koskaan käytä akkua lyöntityökaluna.
	Älä päästä akkua putoamaan. Älä käytä akkua, johon on kohdistunut isku tai joka on muutoin vaurioitunut.

1.4 Tuotetiedot

HILTI -tuotteet on tarkoitettu ammattikäyttöön, ja niitä saa käyttää, huoltaa tai korjata vain valtuutettu, koulutettu henkilö. Käyttäjän pitää olla hyvin perillä käyttöön liittyvistä vaaroista. Tuote ja sen varusteet saattavat aiheuttaa vaaratilanteita, jos kokemattomat henkilöt käyttävät tuotetta ohjeiden vastaisesti tai muutoin asiattomasti.

Tyyppimerkin ja sarjanumeron löydät tyyppikilvestä.

- Kirjoita sarjanumero oheiseen taulukkoon. Tuotteen tiedot tarvitaan, jos esität kysymyksiä myynti- tai huoltoedustajallemme.

Tuotetiedot

Kombiporavasara	TE 30-A36
Sukupuoli	03
Sarjanumero	

1.5 Vaatimustenmukaisuusvakuutus

Vakuutamme, että tässä kuvattu tuote täyttää voimassa olevien direktiivien ja standardien vaatimukset. Kuva vaatimustenmukaisuusvakuutuksesta on tämän dokumentaation lopussa.

Tekninen dokumentaatio löytyy tästä:

Hilti Entwicklungsgesellschaft mbH | Zulassung Geräte | Hiltistraße 6 | 86916 Kaufering, DE



2.1 Sähkötyökaluja koskevat yleiset turvallisuusohjeet

⚠ VAKAVA VAARA Lue kaikki turvallisuus- ja käyttöohjeet, selostukset ja tekniset tiedot, jotka liittyvät tähän sähkötyökaluun. Seuraavien ohjeiden noudattamatta jättäminen saattaa johtaa sähköiskuun, tulipaloon ja/tai vakavaan loukkaantumiseen.

Säilytä kaikki turvallisuus- ja käyttöohjeet huolellisesti vastaisen varalle.

Turvallisuusohjeissa käytetty käsite ”sähkötyökalu” tarkoittaa verkkokäyttöisiä sähkötyökaluja (joissa verkkojohto) ja akkukäyttöisiä sähkötyökaluja (joissa ei verkkojohtoa).

Työpaikan turvallisuus

- ▶ **Pidä työskentelyalue siistinä ja hyvin valaistuna.** Työpaikan epäjärjestys ja valaisemattomat työalueet voivat johtaa tapaturmiin.
- ▶ **Älä käytä sähkötyökalua räjähdysalttiissa ympäristössä, jossa on syttyvää nestettä, kaasua tai pölyä.** Sähkötyökalut synnyttävät kipinöitä, jotka saattavat sytyttää pölyn tai höyryt.
- ▶ **Pidä lapset ja sivulliset loitolla sähkötyökalua käyttäessäsi.** Voit menettää koneen hallinnan huomiosi suuntautuessa muualle.

Sähköturvallisuus

- ▶ **Sähkötyökalun pistokkeen pitää sopia pistorasiaan.** Pistoketta ei saa muuttaa millään tavalla. Älä käytä pistorasia-adaptoreita suojamaadotettujen sähkötyökalujen yhteydessä. Alkuperäisessä kunnossa olevat pistokkeet ja sopivat pistorasiat vähentävät sähköiskun vaaraa.
- ▶ **Vältä koskettamasta sähköä johtaviin pintoihin kuten putkiin, pattereihin, liesiin ja jääkaappeihin.** Sähköiskun vaara kasvaa, jos kehosi maadottuu.
- ▶ **Älä aseta sähkötyökalua alttiiksi sateelle tai kosteudelle.** Veden tunkeutuminen sähkötyökalun sisään lisää sähköiskun vaaraa.
- ▶ **Älä kanna tai ripusta sähkötyökalua verkkojohdostaan äläkä vedä pistoketta irti pistorasiasta johdosta vetämällä.** Pidä johto loitolla kuumuudesta, öljystä, terävistä reunoista ja liikkuvista osista. Vahingoittuneet tai toisiinsa kietoutuneet johdot lisäävät sähköiskun vaaraa.
- ▶ **Kun käytät sähkötyökalua ulkona, käytä ainoastaan ulkokäyttöön soveltuvia jatkojohtoja.** Ulkoikäyttöön soveltuvan jatkojohdon käyttö pienentää sähköiskun vaaraa.
- ▶ **Jos sähkötyökalua on välttämätöntä käyttää kosteassa ympäristössä, käytä vikavirtasuojakytkintä.** Vikavirtasuojakytkimen käyttö pienentää sähköiskun vaaraa.

Henkilöturvallisuus

- ▶ **Ole valpas, kiinnitä huomiota työskentelyysi ja noudata tervettä järkeä sähkötyökalua käyttäessäsi.** Älä käytä sähkötyökalua, jos olet väsynyt tai huumeiden, alkoholin tai lääkkeiden vaikutuksen alaisena. Sähkötyökalua käytettäessä hetkellinenkin varomattomuus saattaa aiheuttaa vakavia vammoja.
- ▶ **Käytä henkilökohtaisia suojavarusteita ja aina suojalaseja.** Henkilökohtaiset suojavarusteet, kuten hengityssuojain, luistamattomat turvajalkineet, kypärä ja kuulosuojaimet, pienentävät oikein käytettyinä loukkaantumiseriskiä sähkötyökalun käyttötilanteesta riippuen.
- ▶ **Varo tahatonta käynnistämistä.** Varmista, että sähkötyökalu on kytketty pois päältä, ennen kuin liität sen verkkovirtaan ja/tai liität siihen akun, otat sen käteesi tai kannat sitä. Jos kannat sähkötyökalua sormi käyttökytkimellä tai liität pistokkeen pistorasiaan käyttökytkimen ollessa käyntiasennossa, altistat itsesi onnettomuuksille.
- ▶ **Poista kaikki säätötyökalut ja ruuvitalat, ennen kuin käynnistät sähkötyökalun.** Työkalu tai avain, joka sijaitsee koneen pyöriässä osassa, saattaa johtaa loukkaantumiseen.
- ▶ **Vältä vaikeita työskentelyasentoja.** Varmista aina tukeva seisoma-asento ja tasapaino. Siten voit paremmin hallita sähkötyökalua odottamattomissa tilanteissa.
- ▶ **Käytä työohsi soveltuvia vaatteita.** Älä käytä löysiä työvaatteita tai koruja. Pidä hiukset, vaatteet ja käsineet loitolla liikkuvista osista. Väljät vaatteet, korut ja pitkät hiukset voivat takertua liikkuviin osiin.
- ▶ **Jos pölynpoisto- ja keräilylaitteita voidaan asentaa, sinun on tarkastettava, että ne on liitetty oikein ja että niitä käytetään oikealla tavalla.** Pölynpoistovarustuksen käyttö vähentää pölyn aiheuttamia vaaroja.
- ▶ **Älä tuudittaudu virheelliseen turvallisuuden tunteeseen äläkä laiminlyö sähkötyökaluja koskevia turvallisuusohjeita silloinkaan, kun mielestäsi jo olet kokenut sähkötyökalun käyttäjä.** Harkitsema- ton ja huolimaton toiminta voi sekunnin murto-osissa johtaa vakaviin loukkaantumisiin.

Sähkötyökalun käyttö ja käsittely

- ▶ **Älä ylikuormita konetta.** Käytä kyseiseen työhön tarkoitettua sähkötyökalua. Sopivaa sähkötyökalua käyttäen työskentelet paremmin ja varmemmin tehoalueella, jolle sähkötyökalu on tarkoitettu.
- ▶ **Älä käytä sähkötyökalua, jonka käyttökytkin ei toimi.** Sähkötyökalu, jota ei enää voida käynnistää ja pysäyttää käyttökytkimellä, on vaarallinen ja se täytyy korjata.



- ▶ **Irrota pistoke pistorasiasta ja/tai irrota akku ennen kuin muutat säätöjä, vaihdat terää tai lisävarusteita ja kun lopetat koneen käyttämisen.** Tämä turvatoimenpide estää sähkötyökalun tahattoman käynnistysriskin.
- ▶ **Säilytä sähkötyökalut poissa lasten ulottuvilta, kun niitä ei käytetä. Älä anna toisten henkilöiden käyttää konetta, elleivät he ole perehtyneet sen käyttöön ja lukeneet käyttöohjeita.** Sähkötyökalut ovat vaarallisia, jos niitä käyttävät kokemattomat henkilöt.
- ▶ **Hoida sähkötyökaluja ja niiden varusteita huolella. Tarkasta, että liikkuvat osat toimivat moitteettomasti eivätkä ole puristuksissa, ja tarkasta myös, ettei sähkötyökalussa ole murtuneita tai vaurioituneita osia, jotka saattaisivat haitata sen toimintaa. Korjauta vaurioituneet osat ennen koneen käyttämistä.** Usein loukkaantumisten ja tapaturmien syynä on sähkötyökalujen laiminlyöty huolto.
- ▶ **Pidä terät terävinä ja puhtaina.** Huolella hoidetut terät, joiden leikkausreunat ovat teräviä, eivät jumitu herkästi, ja niillä työnteko on kevyempää.
- ▶ **Käytä sähkötyökalua, lisävarusteita ja tarvikkeita, teriä jne. niiden käyttöohjeiden mukaisesti. Ota tällöin työolosuhteet ja suoritettava työtehtävä huomioon.** Sähkötyökalun käyttö muuhun kuin sille tarkoitettuun käyttöön saattaa johtaa vaarallisiin tilanteisiin.
- ▶ **Pidä käsikahvat ja tartuntapinnat kuivina, puhtaina, öljyttöminä ja rasvattomina.** Jos käsikahvat tai tartuntapinnat ovat liukkaat, sähkötyökalun turvallinen käyttö ja hallinta voi yllättävissä tilanteissa olla mahdollonta.

Akkukäyttöisen sähkötyökalun käyttö ja käsittely

- ▶ **Lataa akku vain valmistajan suositamalla laturilla.** Jos laturi on tarkoitettu vain tietyn akkumallin lataamiseen, palovaara on olemassa, jos laturia käytetään muiden akkujen lataamiseen.
- ▶ **Käytä ainoastaan juuri kyseiseen sähkötyökaluun tarkoitettua akkua.** Jonkun muun akun käyttö saattaa johtaa loukkaantumiseen ja tulipaloon.
- ▶ **Pidä irrallinen akku loitolla metalliesineistä, kuten paperinliittimistä, kolikoista, avaimista, nau-loista, ruuveista tai muista pienistä metalliesineistä, jotka voivat oikosulkea akun liittimet.** Akun liittimien välinen oikosulku saattaa aiheuttaa palovammoja tai johtaa tulipaloon.
- ▶ **Väärästä käytöstä johtuen saattaa akusta vuotaa nestettä, jota ei saa koskettaa. Vältä kosketusta sen kanssa. Tarvittaessa huuhtelee kosketuskohta vedellä. Jos nestettä pääsee silmiin, tarvitaan lisäksi lääkärin apua.** Akusta vuotava neste saattaa aiheuttaa ärsytystä ja palovammoja.
- ▶ **Älä käytä akkua, joka on vaurioitunut tai johon on tehty muutoksia.** Vaurioitunut akku tai akku, jota on muutettu, saattaa käyttäytyä yllättävästi ja aiheuttaa tulipalon, räjähdyksen ja vammoja.
- ▶ **Varjele akkua avotulelta ja korkeilta lämpötiloilta.** Avotuli tai yli 130 °C:n (265 °F) lämpötila voi aiheuttaa räjähdyksen.
- ▶ **Noudata kaikkia akun lataamisesta annettuja ohjeita, ja lataa akku tai akun sisältävä sähkötyökalu aina käyttöohjeessa mainittuja lämpötilarajoja noudattaen.** Akun virheellinen lataaminen tai lataami-nen sallitun lämpötila-alueen lämpötiloja noudattamatta saattaa johtaa akun tuhoutumiseen ja aiheuttaa tulipalovaaran.

Huolto

- ▶ **Anna koulutettujen ammattihenkilöiden korjata sähkötyökalusi ja hyväksy korjauksiin vain alkupe-räisiä varaosia.** Siten varmistat koneen turvallisuuden säilymisen.
- ▶ **Älä koskaan yritä huoltaa vaurioitunutta akkua.** Akkujen kaikki huoltotyöt saa suorittaa vain valmistaja tai sen valtuuttama huoltopiste.

2.2 Poravaraita koskevat turvallisuusohjeet

Turvallisuusohjeet kaikkiin töihin

- ▶ **Käytä kuulosuojaimia.** Melu saattaa heikentää kuuloasi.
- ▶ **Käytä koneen mukana toimitettuja lisäkäsikahvoja.** Koneen hallinnan menettäminen saattaa aiheuttaa loukkaantumisia.
- ▶ **Pidä koneesta kiinni vain sen eristetyistä kahvapinnoista, jos teet työtä, jossa terä saattaa osua rakenteen sisällä olevaan virtajohtoon.** Jos terä osuu virtajohtoon, koneen metalliosiin saattaa johtua virta, jolloin saatat saada sähköiskun.

Turvallisuusohjeet jos käytät pitkiä poranteriä

- ▶ **Aloita poraaminen aina pienellä kierrosluvulla ja siten, että poranterä koskettaa työkappaletta.** Suuremmilla kierrosluvuilla poranterä saattaa herkästi taipua, jos se pyöri vapaasti ilman että se koskettaa työkappaletta, ja seurauksena voi olla loukkaantumisia.
- ▶ **Älä paina konetta tarpeettoman kovalla voimalla ja paina aina vain poranterän pituussuuntaan.** Poranterät voivat taipua ja siten murtua, tai seurauksena voi olla hallinnan menettäminen ja loukkaantu-misia.



2.3 Lisää piikkausvasaran turvallisuusohjeita

Henkilöturvallisuus

- ▶ Käytä vain tuotetta ja lisävarusteita, jotka ovat teknisesti moitteettomassa kunnossa.
- ▶ Älä koskaan tee tuotteeseen tai lisävarusteisiin minkäänlaisia muutoksia.
- ▶ Kattoa, seinää ja lattiaa piikattaessa varmista turvallinen ja varma pystyssä pysyminen. Kohteen äkillinen murtuminen voi suistaa sinut tasapainosta!
- ▶ Kun teet reikiä, varmista työstettävän kohdan taustapuoli. Putoamaan tai sinkoutumaan pääsevät palaset voivat aiheuttaa muille vammoja.
- ▶ Käytön aikana käyttäjän ja välittömässä läheisyydessä olevien henkilöiden on käytettävä soveltuvia suojalaseja, suojakypärää, kuulosuojaimia ja kevyttä hengityssuojainta.
- ▶ Käytä työkaluterän vaihdossa suojakäsineitä. Työkaluterän koskettaminen saattaa aiheuttaa haavoja ja palovammoja.
- ▶ Käytä suojalaseja. Sirpaleet saattavat aiheuttaa vammoja ja vahingoittaa silmiä.
- ▶ Hiottaessa, kiillotettaessa, leikattaessa ja porattaessa syntyvä pöly saattaa sisältää vaarallisia kemikaaleja. Niistä esimerkkejä ovat: liijy tai liijypitoiset maalit; tiili, betoni ja muut muuraustuotteet, luonnonkivi ja muut silikaatteja sisältävät tuotteet; tietyt puulajit kuten tammi, pyökki ja kemiallisesti käsitellyt puut; asbesti tai asbestia sisältävät materiaalit. Määritä työstettävien materiaalien vaaraluokituksen perusteella käyttäjän ja lähellä olevien henkilöiden altistumisvaara. Ryhdy tarvittaviin toimenpiteisiin altistumisen pitämiseksi turvallisella tasolla, esimerkiksi käytettävä pölynkeräysjärjestelmää tai soveltuvaa hengityssuojainta. Altistumisen määrää pienentäviä yleisluonteisia toimenpiteitä ovat:
 - ▶ työn tekeminen hyvin tuulettuvassa tilassa,
 - ▶ pitkään kestävä pölyaltistuksen välttäminen,
 - ▶ pölyn ohjaaminen pois kasvoilta ja keholta,
 - ▶ suojavaatetuksen käyttö ja kehon altistuneiden kohtien pesu vedellä ja saippualla.
- ▶ Pidä työssäsi usein taukoja, joiden aikana tee sormien verenkiertoa parantavia sormivoimisteluliikeitä. Pitempään jatkuva työnteko saattaa tärinän vuoksi aiheuttaa verenkiertohäiriöitä tai sormien, käsien ja ranteiden hermokipuja.

Sähköturvallisuus

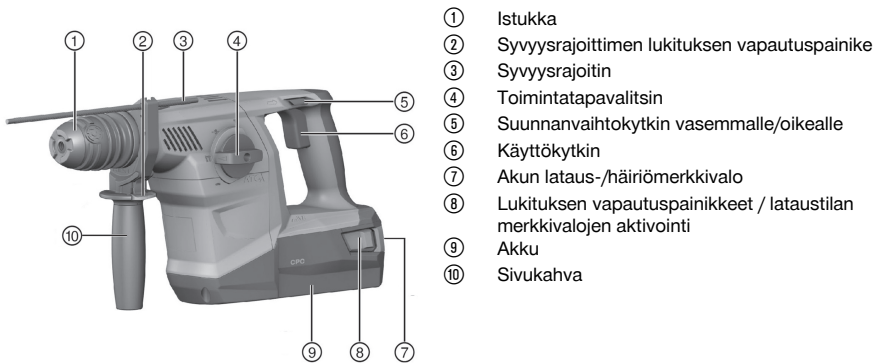
- ▶ Tarkasta ennen työn aloittamista, onko työskentelyalueella rakenteiden sisälle asennettuja sähköjohtoja tai kaasu- ja vesiputkia. Tuotteen ulkopinnan metalliosista saatat saada sähköiskun tai aiheuttaa räjähdyksen, jos vahingossa osut sähköjohtoon, kaasuputkeen tai vesiputkeen.

Sähkötyökalujen käyttö ja hoito

- ▶ Odota, että tuote on täysin pysähtynyt, ennen kuin lasket sen kädestäsi.

3 Kuvaus

3.1 Tuoteyhteenveto



3.2 Tarkoituksenmukainen käyttö

Kuvattu tuote on paineilmatomaisella iskumekanismilla varustettu akkukäyttöinen kombiporavasara. Se on tarkoitettu betonin, tiilen, muurauksen, puun ja metallin poraustöihin. Tuotetta voidaan myös käyttää tiilen ja muurauksen kevyisiin ja keskivaativiin piikkaustöihin ja betonin viimeistelytöihin.

- ▶ Käytä tämän tuotteen yhteydessä vain B 36 -sarjan **Hilti**-litiumioniakkuja.
- ▶ Käytä tämän akun yhteydessä vain C4/36-sarjan **Hilti**-latureita.

3.3 Mahdollinen väärä käyttö

- Tämä tuote ei sovellu terveydelle vaarallisten materiaalien työstöön.
- Tämä tuote ei sovellu kosteassa ympäristössä käytettäväksi.

3.4 ATC

Tuotteessa on elektroninen pikapoiskytkentä ATC (Active Torque Control).

Jos työkaluterä juuttuu tai takertelee, tuote saattaa yhtäkkiä ja hallitsemattomasti pyörähtää päinvastaiseen suuntaan. ATC tunnistaa tuotteen tällaisen äkillisen pyörähdysliikkeen ja kytkee tuotteen heti pois päältä.



Moitteettoman toiminnan edellytys on, että tuote pystyy pyörimään.

Pikapoiskytkennän tapahduttua kytkete tuote pois päältä ja takaisin päälle.

3.5 Moottorin suojaus

Tässä tuotteessa on moottorin suojaustoiminto. Se valvoo moottorin virrankulutusta ja lämpötilaa ja suojaa konetta ylikuumentumiselta.

Jos moottori ylikuormittuu konetta liian voimakkaasti painettaessa, koneen teho heikkenee huomattavasti tai kone saattaa pysähtyä.

Jos kone pysähtyy tai sen kierrosluku laskee ylikuormituksen vuoksi, kevennä koneen kuormitusta ja käytä konetta joutokäyntikierrosluvulla noin 30 sekunnin ajan.

3.6 Litiumioniakun lataustilan näyttö

Litiumioniakun lataustila ja koneen häiriöt näytetään litiumioniakun näytössä. Litiumioniakun lataustila näytetään, kun jompaakumpaa akun lukituksen vapautuspainikkeista painetaan kevyesti.

Tila	Merkitys
4 LED-merkkivaloa palaa.	Lataustila: 75 % ... 100 %
3 LED-merkkivaloa palaa.	Lataustila: 50 % ... 75 %
2 LED-merkkivaloa palaa.	Lataustila: 25 % ... 50 %
1 LED-merkkivalo palaa.	Lataustila: 10 % ... 25 %
1 LED-merkkivalo vilkkuu.	Lataustila: < 10 %
1 LED-merkkivalo vilkkuu, kone ei ole toimintavalmis.	Akku on ylikuumentunut tai täysin tyhjentynyt.
4 LED-merkkivaloa vilkkuu, kone ei ole toimintavalmis.	Kone on ylikuormittunut tai ylikuumentunut.



Akun lataustilan tarkastaminen ei ole mahdollista käyttökäytin painettuna ja 5 sekunnin aikana käyttökäytimen vapauttamisesta.

Jos akun LED-merkkivalot vilkkuvat, ota huomioon ohjeet kappaleessa Apua häiriötilanteisiin.

3.7 Toimituksen sisältö

Kombiporavasara, sivukahva ja syvyysrajoitin, käyttöohje.



Käyttöturvallisuuden varmistamiseksi käytä vain alkuperäisiä varaosia ja kulutusaineita. Tälle tuotteelle hyväksytyjä varaosia, kulutusmateriaaleja ja lisävarusteita löydät **Hilti**-edustajalta tai osoitteesta: www.hilti.com



4 Tekniset tiedot

4.1 Tekniset tiedot

	TE 30-A36
Nimellisjännite	36 V
Yhden iskun energia EPTA 05/2009 mukaan	3,6 J
Paino	5,1 kg

4.2 Melutiedot ja tärinäarvot EN 62841 mukaan

Tässä käyttöohjeessa annetut äänenpaine- ja tärinäarvot on mitattu standardoitujen mittausmenetelmien mukaisesti, ja näitä arvoja voidaan käyttää sähkötyökalujen vertailussa. Ne soveltuvat myös altistumisten tilapäiseen arviointiin.

Annetut arvot koskevat sähkötyökalun pääasiallisia käyttötarkoituksia. Jos sähkötyökalua kuitenkin käytetään muihin tarkoituksiin, poikkeavia työkaluja tai teriä käyttäen tai puutteellisesti huollettuna, arvot voivat poiketa tässä ilmoitetuista. Tämä saattaa merkittävästi lisätä altistumista koko työskentelyajan aikana.

Altistumisia tarkasti arvioitaessa on otettava huomioon myös ne ajat, jolloin sähkötyökalu on kytketty pois päältä tai jolloin sähkötyökalu on päällä, mutta sillä ei tehdä varsinaista työtä. Tämä saattaa merkittävästi vähentää altistumista koko työskentelyajan aikana.

Käyttäjän suojaamiseksi melun ja/tai tärinän vaikutukselta ryhdy tarpeellisiin turvatoimenpiteisiin kuten: Sähkötyökalun ja siihen kiinnitettävien työkalujen huolto, käsien lämpimänä pitäminen, työtehtävien organisointi.

Melupäästöarvot

	TE 30-A36
Äänitehotaso (L_{WA})	103 dB
Äänenpainetaso (L_{pA})	92 dB
Äänitehon / äänenpainetaso epävarmuus	3 dB

Tärinän kokonaisarvot

	TE 30-A36	
Poraaminen metalliin ($a_{h, HD}$)	5 m/s ²	
Iskuporaaminen betoniin ($a_{h, HD}$)	B 36/5.2	10,3 m/s ²
	B 36/9.0	9,3 m/s ²
Piikkaaminen	B 36/5.2	8,5 m/s ²
	B 36/9.0	7,3 m/s ²
Epävarmuus	1,5 m/s ²	

5 Käyttö

5.1 Työkohteen valmistelu



VAARA

Loukkaantumisvaara vahingossa käynnistymisen seurauksena!

- ▶ Varmista ennen akun kiinnittämistä, että tuote on kytketty pois päältä.
- ▶ Irrota akku, ennen kuin muutat koneen säätöjä tai vaihdat lisävarusteosia.

Noudata tässä dokumentaatioissa ja tuotteessa olevia turvallisuus- ja varoitushuomautuksia.

5.1.1 Akun kiinnitys

1. Aseta akku konekiinnikkeeseen siten, että se kuuluvasti lukittuu.
2. Tarkasta, että akku on kunnolla kiinni.

5.1.2 Akun irrotus

1. Paina akun lukituksen vapautuspainikkeita.
2. Vedä akku taaksepäin irti.



5.1.3 Akun lataaminen



Varmista, että akun ulkopinnat ovat puhtaat ja kuivat ennen kuin laitat akun sille hyväksytyyn laturiin. Lue akun lataamishjeet laturin käyttöohjeesta.

- ▶ Lataa akku hyväksytyllä laturilla.

5.1.4 Sivukahvan kiinnitys

VAROITUS

Loukkaantumisvaara! Tuotteen hallinnan menettämisen vaara.

- ▶ Varmista, että sivukahva on kiinnitetty oikein ja kunnolla kiinni. Varmista, että kiinnityspanta on oikein paikallaan tuotteessa olevassa urassa.

1. Kierrä kahvaa sivukahvan kiinnittimen (kiinnityspanta) avaamiseksi.
2. Työnnä kiinnitin (kiinnityspanta) edestäpäin istukan päälle sille tarkoitettuun uraan saakka.
3. Aseta sivukahva haluamaasi asentoon.
4. Kierrä kahvaa sivukahvan kiinnittimen (kiinnityspanta) kiinni kiristämiseksi.

5.1.5 Syvyysrajoittimen (lisävaruste) säätö

1. Paina sivukahvassa olevaa lukituksen vapautuspainiketta.
2. Säädä syvyysrajoitin haluamaasi poraussyvytyteen.
3. Vapauta lukituksen vapautuspainike.
4. Tarkasta, että sivukahva on kunnolla kiinni.

5.1.6 Istukan irrotus

VAROITUS

Loukkaantumisvaara! Kiinnitetty mutta ei-käytettävä syvyysrajoitin haittaa koneen käyttäjää.

- ▶ Irrota syvyysrajoitin tuotteesta.



Kun vaihdat istukkaa, käännä ensin toimintatapavalitsin piikkaamisen asentoon .

1. Irrota akku koneesta.
2. Tartu istukasta ja vedä lukituksen kolmea rengasta ylöspäin.
3. Irrota istukka ylöspäin.

5.1.7 Istukan kiinnitys

VAROITUS

Loukkaantumisvaara! Kiinnitetty mutta ei-käytettävä syvyysrajoitin haittaa koneen käyttäjää.

- ▶ Irrota syvyysrajoitin tuotteesta.



Kun vaihdat istukkaa/työkaluterää, valitse toimintatapavalitsimella tämä symboli: .

1. Irrota akku koneesta.
2. Tartu istukasta ja vedä lukituksen kolmea rengasta ylöspäin.
3. Laita istukka kiinnitykseensä.
4. Kierrä istukkaa, kunnes se lukittuu.

5.1.8 Työkaluterän kiinnitys

1. Rasvaa työkaluterän istukkapää kevyesti.
 - ▶ Käytä vain alkuperäistä **Hilti**-rasvaa. Vääränlainen rasva voi vaurioittaa konetta.
2. Laita työkaluterä istukkaan vasteeseen saakka ja varmista, että se lukittuu paikalleen.
3. Tarkasta työkaluterän kunnollinen lukittuminen vetämällä työkaluterästä.
 - ▶ Tuote on toimintavalmis.



5.1.9 Työkaluterän irrotus

VAROITUS

Työkaluterän aiheuttama loukkaantumisvaara! Työkaluterä voi olla kuuma tai teräväreunainen.

- ▶ Käytä suojakäsineitä, kun vaihdat työkaluterää.
- ▶ Vedä työkaluterän lukitsin taaksepäin vasteeseen saakka ja irrota työkaluterä.

5.2 Työskentely

VAROITUS

Vaurioitumisvaara väärän käsittelyn seurauksena!


- ▶ Älä käytä suunnanvaihdon ja/tai toimintatavan valinnan kytkimiä koneen käytön aikana.

Noudata tässä dokumentaatioissa ja tuotteessa olevia turvallisuus- ja varoitushuomautuksia.


5.2.1 Toimintatapavalitsin

- ▶ Aseta toimintatapavalitsin työtehtävää vastaavaan asentoon.
 - ▶ Toimintatapavalitsinta ei saa käyttää koneen käytössä. **Vaurioitumisvaara!**

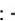
5.2.2 Poraus ilman iskua

- ▶ Aseta toimintatapavalitsin tämän symbolin kohdalle:  .


5.2.3 Poraaminen iskulla (iskuporaus)

- ▶ Aseta toimintatapavalitsin tämän symbolin kohdalle:  .

5.2.4 Piikkausterän kohdistaminen

- ▶ Aseta toimintatapavalitsin tämän symbolin kohdalle:  .
 - ▶ Piikkaustyökalun voi kiinnittää 12 eri asentoon (30°:n välein). Näin latta- ja muotopiikkaustyökalun saa kiinnitettyä aina työn kannalta sopivimpaan asentoon.

5.2.5 Piikkaaminen

- ▶ Aseta toimintatapavalitsin tämän symbolin kohdalle:  .

5.2.6 Suunnanvaihtokytkin vasemmalle/oikealle

- ▶ Valitse haluamasi pyörimissuunta suunnanvaihtokytkimellä.

6 Huolto, hoito ja kunnossapito

VAARA

Loukkaantumisvaara jos akku paikallaan !

- ▶ Irrota akku aina ennen hoito- ja kunnostustöitä!

Tuotteen hoito

- Puhdista pinttynyt lika varovasti.
- Jos tuotteessa on jäähdytysilmaraot, puhdista ne varovasti kuivalla ja pehmeällä harjalla.
- Puhdista kotelon pinnat vain kevyesti kostutetulla kankaalla. Älä käytä silikonia sisältäviä hoitoaineita, sillä ne saattavat vaurioittaa muoviosia.
- Käytä tuotteen liittimien puhdistamiseen vain puhdasta ja kuivaa kangaspalaa.

Litiumioniakkujen hoito

- Älä koskaan käytä akkua, jos sen jäähdytysilmaraot ovat tukkeutuneet. Puhdista jäähdytysilmaraot varovasti kuivalla, pehmeällä harjalla.
- Vältä altistamista akkua tarpeettomasti pölylle tai lialle. Älä koskaan altista akkua suurelle kosteudelle (esimerkiksi upota veteen tai jätä sateeseen).

Jos akku on pahoin kastunut, käsittele sitä kuin vaurioitunutta akkua. Eristä akku palamattomasta materiaalista valmistettuun astiaan ja ota yhteys **Hilti**-huoltoon.



- Pidä akku öljyttömänä ja rasvattomana. Älä anna pölyn ja lian kertyä akun pintaan. Puhdista akku kuivalla, pehmeällä harjalla tai puhtaalla, kuivalla kankaalla. Älä käytä silikonia sisältäviä hoitoaineita, sillä ne saattavat vaurioittaa muoviosia.
Älä kosketa akun liittimiä äläkä poista akun liittimiin tehtaalla laitettua rasvaa.
- Puhdista kotelon pinnat vain kevyesti kostutetulla kankaalla. Älä käytä silikonia sisältäviä hoitoaineita, sillä ne saattavat vaurioittaa muoviosia.

Kunnossapito

- Tarkasta säännöllisin välein kaikkien näkyvien osien mahdolliset vauriot ja käyttöelementtien moitteeton toiminta.
- Jos havaitset vaurioita ja/tai toimintahäiriöitä, älä käytä tuotetta. Korjauta tuote viipymättä **Hilti**-huollossa.
- Hoito- ja kunnostustöiden jälkeen kiinnitä kaikki suojalaitteet takaisin ja tarkasta niiden moitteeton toiminta.



Käyttöturvallisuuden varmistamiseksi käytä vain alkuperäisiä varaosia ja käyttömateriaaleja. **Hiltin** tuotteelle hyväksymiä varaosia, kulutusmateriaaleja ja lisävarusteita löydät **Hilti Store** -liikkeestä tai osoitteesta: www.hilti.group

7 Akkukäyttöisten työkalujen ja akkujen kuljetus ja varastointi

Kuljettaminen



VAROITUS

Käynnistyminen vahingossa kuljetuksen aikana !

- ▶ Kuljeta tuotteesi aina akku irrotettuna!
- ▶ Irrota akku/akut.
- ▶ Älä koskaan kuljeta akkuja irrallaan muiden tavaroiden joukossa. Akut on suojattava kuljetuksen ajaksi koviilta iskuiltä ja tärinältä, ja ne on eristettävä kaikenlaisista sähköä johtavista materiaaleista ja muista akuista, jotta niiden navat eivät pääse kosketuksiin muiden akkujen napojen kanssa. Seurauksena saattaisi olla oikosulku. **Noudata maakohtaisia akkujen kuljetusmääräyksiä.**
- ▶ Akkuja ei saa koskaan lähettää postitse. Käänny kuljetusyrityksen puoleen, kun haluat lähettää vaurioittomia akkuja.
- ▶ Tarkasta tuotteen ja akun mahdolliset vauriot aina ennen käyttöä sekä ennen pitkää kuljetusta ja sen jälkeen.

Varastointi



VAARA

Viallinen tai vuotava akku voi aiheuttaa vaurioita !

- ▶ Varastoi tuotteesi aina akku irrotettuna!
- ▶ Varastoi tuote ja akut viileässä ja kuivassa paikassa. Ota teknisissä tiedoissa annetut lämpötilarajat huomioon.
- ▶ Akkuja ei saa säilyttää laturissa. Irrota akku laturista aina latauksen päätyttyä.
- ▶ Älä koskaan varastoi akkuja auringonpaisteessa, lämmönlähteen päällä tai ikkunan viereessä.
- ▶ Varastoi tuote ja akut lasten ja asiattomien henkilöiden ulottumattomissa.
- ▶ Tarkasta tuotteen ja akun mahdolliset vauriot aina ennen käyttöä sekä ennen pitkää varastointia ja sen jälkeen.

8 Apua häiriötilanteisiin

Häiriöissä, joita ei ole kuvattu tässä taulukossa tai joita et itse pysty poistamaan, ota yhteys **Hilti**-huoltoon.

8.1 Kombiporavasara on toimintakykyinen

Häiriö	Mahdollinen syy	Ratkaisu
Akku tyhjenee tavallista nopeammin.	Akun kunto ei optimaalinen.	▶ Vaihda akku.
Akku ei lukitu paikalleen selvästi naksauttaen.	Akun salpanokat likaantuneet.	▶ Puhdista salpanokat ja kiinnitä akku uudelleen paikalleen.



Häiriö	Mahdollinen syy	Ratkaisu
Käyttökytintä ei saa painetua tai se on lukittunut.	Suunnanvaihtokytkin keskiasennossa.	► Paina suunnanvaihtokytkin vasemmalle tai oikealle.
Kara ei pyöri.	Kombiporavasaran elektroniikan sallittu käyttölämpötila ylittynyt. Akku tyhjentynyt.	► Anna kombiporavasaran jäähtyä. ► Vaihda akku ja lataa tyhjentynyt akku.
Kombiporavasara kytkeytyy automaattisesti pois päältä.	Ylikuormitussuoja laukeaa.	► Vapauta käyttökytin. Anna kombiporavasaran jäähtyä. Paina käyttökytintä uudelleen. Kevennä koneen kuormittamista.
Kombiporavasara tai akku kuumenee voimakkaasti.	Sähköinen vika Kombiporavasara ylikuormittunut (käyttökuormitusraja ylittynyt).	► Kytke kombiporavasaraa heti pois päältä. Irrota akku ja tarkkaile sitä. Anna sen jäähtyä. Ota yhteys Hilti -huoltoon. ► Valitse työtehtävään soveltuva kone.
Työkaluterää ei saa vapautettua lukituksesta.	Istukkaa ei ole vedetty kunnolla taakse.	► Vedä työkaluterän lukitsin taaksepäin vasteeseen saakka ja irrota työkaluterä.
Poranterä ei poraa.	Kombiporavasara kytketty pyörimään vasemmalle.	► Kytke suunnanvaihtokytkimellä pyörimissuunta oikealle.

8.2 Kombiporavasara ei ole toimintakykyinen

Häiriö	Mahdollinen syy	Ratkaisu
LED-merkkivalot eivät näytä mitään.	Akku ei kunnolla kiinni.	► Kiinnitä akku siten, että se kuultavasti naksauttaa lukittuu paikalleen.
	Akku tyhjentynyt.	► Vaihda akku ja lataa tyhjentynyt akku.
	Akku liian kuuma tai liian kylmä.	► Anna akun jäähtyä tai lämmitä suositeltuun käyttölämpötilaan.
1 LED-merkkivalo vilkkuu.	Akku tyhjentynyt.	► Vaihda akku ja lataa tyhjentynyt akku.
	Akku liian kuuma tai liian kylmä.	► Anna akun jäähtyä tai lämmitä suositeltuun käyttölämpötilaan.
4 LED-merkkivaloa vilkkuu.	Kombiporavasara hetkellisesti ylikuormittunut.	► Vapauta käyttökytin ja paina sitä uudelleen.
	Ylikuumentumissuoja.	► Anna kombiporavasaran jäähtyä ja puhdista jäähdytysilmaroot.

9 Hävittäminen

Hilti-työkalut, -koneet ja -laitteet on pääosin valmistettu kierrätyskelteisistä materiaaleista. Kierrätyksen edellytys on materiaalien asianmukainen lajittelu. Useissa maissa **Hilti** ottaa vanhat koneet ja laitteet vastaan kierrätystä ja hävitystä varten. Lisätietoja saat **Hilti**-huollosta tai -edustajalta.



- Älä hävitä sähkötyökaluja, elektronisista laitteita ja akkuja tavallisen sekajätteen mukana!

10 Valmistajan myöntämä takuu

- Jos sinulla on takuuehtoihin liittyviä kysymyksiä, ota yhteys paikalliseen **Hilti**-edustajaan.



Orijinal kullanım kılavuzu

1 Kullanım kılavuzu bilgileri

1.1 Bu kullanım kılavuzu hakkında

- Aleti çalıştırmadan önce bu kullanım kılavuzunu mutlaka okuyunuz. Bu, güvenli çalışma ve arızasız kullanım için ön koşuldur.
- Bu kullanım kılavuzunda ve ürün üzerinde bulunan emniyet ve uyarı bilgilerine dikkat ediniz.
- Kullanım kılavuzunu her zaman ürün üzerinde bulundurunuz ve ürünü sadece bu kullanım kılavuzu ile birlikte başka kişilere veriniz.

1.2 Resim açıklaması

1.2.1 Uyarı bilgileri

Uyarı bilgileri, ürün ile çalışırken ortaya çıkabilecek tehlikelere karşı uyarır. Aşağıdaki uyarı metinleri kullanılır:

TEHLİKE

TEHLİKE !

- ▶ Ağır vücut yaralanmalarına veya doğrudan ölüme sebep olabilecek tehlikeler için.

İKAZ

İKAZ !

- ▶ Ağır yaralanmalara veya ölüme neden olabilecek tehlikeler için.







DİKKAT

DİKKAT !

- ▶ Vücut yaralanmalarına veya maddi hasarlara yol açabilecek olası tehlikeli durumlar için.


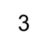


1.2.2 Kullanım kılavuzundaki semboller

Bu kullanım kılavuzunda aşağıdaki semboller kullanılmıştır:

	Kullanım kılavuzuna dikkat edilmelidir
	Kullanım uyarıları ve diğer gerekli bilgiler
	Geri dönüşümlü malzemeler ile çalışma
	Elektrikli aletleri ve aküleri evdeki çöplere atmayınız
	Hilti Lityum İyon akü
	Hilti Şarj cihazı

1.2.3 Çizimlerdeki semboller

Çizimlerde aşağıdaki semboller kullanılmıştır:






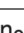
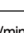


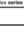
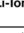


	Bu sayılar, kullanım kılavuzunun başlangıcındaki ilgili çizime atanmıştır.
	Çizimlerdeki numaralandırma, önemli çalışma adımlarını veya çalışma adımları için önemli olan yapı parçalarını gösterir. Metinde, bu çalışma adımları veya yapı parçasına karşılık gelen sayılarla vurgulanmıştır, örn. (3).
	Pozisyon numaraları Genel bakış çiziminde kullanılır ve Ürüne genel bakış bölümündeki açıklama numaralarına referans niteliğindedir.
	Bu işaret, ürün ile çalışırken dikkatinizi çekmek için koyulmuştur.



1.3 Ürüne bağlı semboller

1.3.1 Üründeki semboller

Üründe aşağıdaki semboller kullanılmıştır:

	Darbesiz delme
	Darbe ile delme (darbeli delme)
	Keskileme
	Keski konumlandırma
	Sağa/sola doğru çalışma
	Çap
	Ölçüm rölati devir sayısı
	Dakika başına devir
	Ürün, iOS ve Android platformları ile uyumlu kablosuz veri aktarımını destekler.
	Kullanılan Hilti Lityum İyon akü tip serisi. Usulüne uygun kullanım bölümündeki bilgileri dikkate alınız.
	Lityum İyon akü
	Aküyü asla darbe aleti olarak kullanmayınız.
	Aküyü düşürmeyiniz. Darbe almış veya hasar görmüş bir aküyü kullanmayınız.

1.4 Ürün bilgileri

HILTI ürünleri profesyonel kullanıcıların kullanımı için öngörülmüştür ve sadece yetkili personel tarafından kullanılabilir ve bakımı yapılabilir. Bu personel, meydana gelebilecek tehlikeler hakkında özel olarak eğitim görmüş olmalıdır. Aletin ve ilgili yardımcı gereçlerin eğitimsiz personel tarafından usulüne uygun olmayan şekilde kullanılması ve amaçları dışında çalıştırılması sonucu tehlikeli durumlar söz konusu olabilir. Tip tanımı ve seri numarası, tip plakası üzerinde belirtilmiştir.

- Seri numarasını aşağıdaki tabloya aktarınız. Ürün bilgileri acente veya servis merkezini aradığınızda sorulabilir.

Ürün bilgileri

Kıncı-delici	TE 30-A36
Nesil	03
Seri no.	

1.5 Uygunluk beyanı

Burada tanımlanan ürünün, geçerli yönetmeliklerle ve normlara uygun olduğunu kendi sorumluluğumuzda beyan ederiz. Bu dokümantasyonun sonunda uygunluk beyanının bir kopyasını bulabilirsiniz.

Teknik dokümantasyonlar eklidir:

Hilti Entwicklungsgesellschaft mbH | Zulassung Geräte | Hiltistraße 6 | 86916 Kaufering, DE

2 Güvenlik

2.1 Elektrikli el aletleri için genel güvenlik uyarıları

⚠ İKAZ Bu elektrikli el aletine yönelik tüm güvenlik uyarılarını, talimatları, resimli açıklamaları ve teknik verileri dikkatlice okuyunuz. Aşağıdaki talimatlara uyulmaması durumunda elektrik çarpması, yangın ve/veya ağır yaralanmalar söz konusu olabilir.

Tüm güvenlik uyarılarını ve kullanım talimatlarını muhafaza ediniz.



Güvenlik uyarılarında kullanılan "Elektrikli el aleti terimi, şebeke işletimli elektrikli el aletleri (şebeke kablosu ile) veya akü işletimli elektrikli el aletleri (şebeke kablosu olmadan) ile ilgilidir.

İş yeri güvenliği

- ▶ **Çalışma alanınızı temiz ve aydınlık tutunuz.** Düzensiz veya aydınlatma olmayan çalışma alanları kazalara yol açabilir.
- ▶ **Yanıcı sıvıların, gazların veya tozların bulunduğu patlama tehlikesi olan yerlerde elektrikli el aleti ile çalışmayınız.** Elektrikli el aletleri, toz veya buharı yakabilecek kıvılcım oluşturur.
- ▶ **Elektrikli el aletini kullanırken çocukları ve diğer kişileri uzak tutunuz.** Dikkatiniz dağılırsa aletin kontrolünü kaybedebilirsiniz.

Elektrik güvenliği

- ▶ **Elektrikli el aletin bağlantı fişi prize uygun olmalıdır. Fiş hiçbir şekilde değiştirilmemelidir. Adaptör fişini topraklama korumalı elektrikli el aletleri ile birlikte kullanmayınız.** Değiştirilmemiş fişler ve uygun prizler elektrik çarpması riskini azaltır.
- ▶ **Borular, radyatörler, fırınlar ve buzdolapları gibi toprağa temas eden üst yüzeylere vücudunuzla temas etmekten kaçınınız.** Vücudunuzun toprakla teması var ise yüksek bir elektrik çarpması riski söz konusudur.
- ▶ **Elektrikli el aletini yağmurdan veya ıslaklıktan uzak tutunuz.** Elektrikli el aletine su girmesi, elektrik çarpması riskini artırır.
- ▶ **Elektrikli el aletini taşımak, asmak veya fişi prizden çekmek için bağlantı kablosunu kullanım amacı dışında kullanmayınız. Bağlantı kablosunu sıcağtan, yağdan, keskin kenarlardan ve hareketli parçalardan uzak tutunuz.** Hasarlı veya dolanmış bağlantı kabloları elektrik çarpması riskini artırır.
- ▶ **Elektrikli bir el aleti ile açık alanda çalışacaksanız, sadece dışarıda kullanımına izin verilen uzatma kabloları kullanınız.** Dış mekanlar için uygun olan uzatma kablolarının kullanılması elektrik çarpması riskini azaltır.
- ▶ **Elektrikli el aleti işletiminin nemli ortamda yapılması kaçınılmaz ise bir kaçak akım koruma şalteri kullanınız.** Bir kaçak akım koruma şalterinin kullanımı elektrik çarpması riskini azaltır.

Kişilerin güvenliği

- ▶ **Dikkatli olunuz, ne yaptığınıza dikkat ediniz ve elektrikli el aleti ile mantıklı bir şekilde çalışınız. Yorgunsanız veya uyuşturucu, alkol veya ilaç etkisi altında olduğunuzda elektrikli el aleti kullanmayınız.** Elektrikli el aletini kullanırken bir anlık dikkatsizlik ciddi yaralanmalara neden olabilir.
- ▶ **Kişisel koruyucu donanım ve her zaman bir koruyucu gözlük takınız.** Elektrikli el aletinin türüne ve kullanımına göre toz maskesi, kaymayan güvenlik ayakkabısı, koruyucu kask veya kulaklık gibi kişisel koruyucu donanımları kullanılması yaralanma riskini azaltır.
- ▶ **İstem dışı çalışmayı önleyiniz. Güç kaynağına ve/veya aküyü bağlamadan, girişini yapmadan veya taşımadan önce elektrikli el aletinin kapalı olduğundan emin olunuz.** Elektrikli el aletini taşırken parmağınız şalterde ise veya alet açık konumda güç kaynağına takılırsa bu durum kazalara yol açabilir.
- ▶ **Elektrikli el aletini devreye almadan önce ayar aletlerini veya vidalama anahtarlarını çıkartınız.** Dönen bir alet parçasında bulunan bir alet veya anahtar yaralanmalara yol açabilir.
- ▶ **Aşırı bir vücut hareketinden sakınınız. Güvenli bir duruş sağlayınız ve her zaman dengeli tutunuz.** Böylece beklenmedik durumlarda elektrikli el aletini daha iyi kontrol edebilirsiniz.
- ▶ **Uygun kıyafetler giyiniz. Bol kıyafetler giymeyiniz veya takı takmayınız. Saçları, kıyafetleri ve eldivenleri hareket eden parçalardan uzak tutunuz.** Bol kıyafetler, takı veya uzun saçlar hareket eden parçalara takılabilir.
- ▶ **Toz emme ve tutma tertibatları monte edilebiliyorsa bunların bağlı olduğundan ve doğru kullanıldığında emin olunuz.** Bu toz emme tertibatının kullanımı tozdan kaynaklanabilecek tehlikeleri azaltabilir.
- ▶ **Kendi güvenliğinizi riske atmayınız ve elektrikli el aletleri kullanımında son derece tecrübeli olsanız bile ilgili güvenlik kurallarını ihlal etmeyiniz.** Dikkatsiz kullanım saniyeler içerisinde ciddi yaralanmalara neden olabilir.

Elektrikli el aletinin kullanımı ve çalıştırılması

- ▶ **Aleti çok fazla zorlamayın. Çalışmanız için uygun olan elektrikli el aletini kullanın.** Uygun elektrikli el aleti ile bildirilen hizmet alanında daha iyi ve güvenli çalışırsınız.
- ▶ **Şalteri bozuk olan elektrikli el aletini kullanmayınız.** Açılıp kapatılmayan bir elektrikli el aleti tehlikelidir ve tamir edilmesi gerekir.
- ▶ **Alet ayarlarını yapmadan, aksesuar parçalarını değiştirmeden veya aleti bir yere koymadan önce fişi prizden ve/veya (çıkartılabilir) aküyü aletten çıkarınız.** Bu önlem, elektrikli el aletinin istem dışı çalışmasını engeller.
- ▶ **Kullanılmayan elektrikli el aletlerini çocukların erişemeyeceği yerde muhafaza edin. Aleti iyi tanımayan veya bu talimatları okumamış kişilere aleti kullandırmayınız.** Elektrikli el aletleri bilgisiz kişiler tarafından kullanılırsa tehlikelidir.



- ▶ **Elektrikli el aletlerinin ve aksesuarlarının bakımını titizlikle yapınız.** Hareketli parçaların kusursuz çalıştığı ve sıkışmadığı, parçaların kırılıp kırılmadığı veya hasar görüp görmediği, elektrikli el aleti fonksiyonlarının kısıtlanma durumlarını kontrol ediniz. Hasarlı parçaları aleti kullanmadan önce tamir ettiriniz. Birçok kazanın nedeni bakımı kötü yapılan elektrikli el aletleridir.
- ▶ **Kesme aletlerini keskin ve temiz tutun.** Özenle bakımı yapılmış keskin bıçak kenarı olan kesme aletleri daha az sıkışır ve kullanımı daha rahattır.
- ▶ **Elektrikli el aletini, aksesuarları, ek aletleri vb. bu talimatlara göre kullanın. Çalışma şartlarını ve yapılacak işi de ayrıca göz önünde bulundurun.** Elektrikli el aletlerinin öngörülen kullanımı dışında kullanılması tehlikeli durumlara yol açabilir.
- ▶ **Tutamağı ve tutamak yüzeylerini daima temiz ve yağ ve gresten arındırılmış durumda tutunuz.** Kaygan tutamaklar ve tutamak yüzeyleri güvenli bir kullanımı ve öngörülemez durumlarda elektrikli el aletinin kontrolünü engeller.

Akülü el aletinin kullanımı ve çalıştırılması

- ▶ **Akülleri sadece üretici tarafından tavsiye edilen şarj cihazları ile şarj ediniz.** Belirli bir akü için uygun olan bir şarj cihazı, başka akülerle kullanılırsa yanma tehlikesi vardır.
- ▶ **Elektrikli el aletlerinde sadece bunun için öngörülen aküler kullanılmalıdır.** Başka akülerin kullanılması yarılanmalara ve yanma tehlikelerine yol açabilir.
- ▶ **Kullanılmayan akülleri, kontakların köprülenmesine sebep olabilecek ataçlar, madeni paralar, anahtarlar, çiviler, vidalar veya diğer küçük metal cisimlerden uzak tutunuz.** Akü kontakları arasındaki kısa devre yanmalara veya alev oluşumuna sebep olabilir.
- ▶ **Yanlış kullanımda aküden sıvı çıkabilir. Bunlar ile teması önleyiniz. Yanlışlıkla temasta su ile durulayınız. Sıvı gözlerle temas ederse ayrıca doktor yardımı isteyiniz.** Dışarı akan akü sıvısı cilt tahrişine ve yanmalarına yol açabilir.
- ▶ **Hasarlı veya değiştirilmiş akülleri kullanmayınız.** Hasarlı veya değiştirilmiş aküler öngörülemez şekilde yangın, patlama veya yaralanma tehlikesi içeren tutumlara neden olabilir.
- ▶ **Akülleri açık ateş yakınına koymayınız veya yüksek sıcaklıklara maruz bırakmayınız.** Açık ateş veya 130°C'nin (265°F) üzerinde sıcaklıklar patlama tehlikesine neden olabilir.
- ▶ **Tüm şarj talimatlarına uyunuz ve aküyü veya akülü aleti kullanım kılavuzunda öngörülen sıcaklık aralığının dışında şarj etmeyiniz.** Hatalı şarj veya öngörülen sıcaklık aralığının dışındaki şarj işlemleri akünün zarar görmesine ve yangın tehlikesine neden olabilir.

Servis

- ▶ **Elektrikli el aletinizi sadece kalifiye uzman personele ve sadece orijinal yedek parçalar ile tamir ettiriniz.** Böylece aletin güvenliğinin korunduğundan emin olunur.
- ▶ **Hasarlı akülere bakım yapmayınız.** Akülere yönelik tüm bakım çalışmaları sadece üretici veya yetkili müşteri hizmetleri tarafından yapılmalıdır.

2.2 Kırcı-delici için güvenlik uyarıları

Tüm çalışmalara yönelik güvenlik uyarıları

- ▶ **Kulaklık takınız.** Aşırı sestten dolayı duyma kaybı meydana gelebilir.
- ▶ **Aletle birlikte verilen ek tutamakları kullanın.** Kontrol kaybı yaralanmalara yol açabilir.
- ▶ **Kullandığınız aletin gizli elektrik hatlarına temas edebileceği yerlerde çalışıyorsanız ek aleti izolasyonlu tutamaklardan tutun.** Elektrik ileten bir hat ile temasta metal parçalar da gerilim altında kalır ve elektrik çarpmasına neden olabilir.

Uzun matkap ucu kullanımına yönelik güvenlik uyarıları

- ▶ **Delme işlemine her zaman düşük devir sayısı ile başlayınız ve matkap ucunun iş parçasına temas etmesini bekleyiniz.** Bunun üzerindeki devir sayılarında matkap ucu hafifçe bükülerek iş parçasına temas etmeden serbestçe dönebilir ve yaralanmalara neden olabilir.
- ▶ **Aşırı baskı uygulamayınız ve sadece matkap ucuna göre uzunlamasına yönde baskı uygulayınız.** Matkap ucu bükülebilir, bu nedenle kırılabilir veya kontrolün kaybedilmesine ve yaralanmalara neden olabilir.

2.3 Keski tabancası ek güvenlik uyarıları

Kişilerin güvenliği

- ▶ **Ürün ve aksesuarı sadece teknik açıdan sorunsuz durumdayken kullanınız.**
- ▶ **Ürün veya aksesuar üzerinde asla manipülasyon veya değişiklik yapılmamalıdır.**
- ▶ **Tavanda, duvarda ve zeminde keskinle yaparken güvenli ve sabit bir duruş sağlamaya dikkat ediniz.** Ani bir kırma hareketi denizenizi bozabilir!



- ▶ Kıрма çalışmalarında, çalışılacak yerin karşı tarafında bulunan bölgeyi emniyete alın. Kırılan parçalar dışarı ve / veya yere düşebilir ve diğer kişilerin yaralanmasına sebep olabilir.
- ▶ Aletin kullanımı sırasında siz ve yakında bulunan kişilerin uygun bir koruyucu gözlük, koruyucu kask, kulaklık ve hafif solunum koruma maskesi takması gerekir.
- ▶ Alet değişimi sırasında koruyucu eldiven takılmalıdır. Ek alete takılan uçlara dokunmak kesik ve yanık türünde yaralanmalara yol açabilir.
- ▶ Koruyucu gözlük kullanın. Etrafa sıçrayan malzeme vücudu ve gözleri yaralayabilir.
- ▶ Taşlama, zımparalama, kesme ve delme işlemleri sonucunda oluşan tozlar tehlikeli kimyasallar içerebilir. Bazı örnekler şunlardır: Kurşun temelli kurşun veya boya; Tuğla, beton ve diğer duvar ürünleri, doğal taş ve diğer silikat içeren ürünler; Meşe, kayın gibi belirli ahşaplar ve kimyasal işlem görmüş ahşap; Asbest veya asbest içerikli malzemeler. Çalışılan malzemenin tehlike sınıfına göre kullanıcının ve çevredeki kişilerin maruziyetini belirleyiniz. Maruziyeti güvenli bir seviyede tutmak için bir toz toplama sisteminin kullanımı veya uygun bir solunum koruma maskesinin kullanımı gibi gerekli önlemleri alınız. Maruziyeti azaltmaya yönelik genel önlemler aşağıdakilerdir:
 - ▶ İyi havalandırılan bir alanda çalışma,
 - ▶ Toz ile uzun süreli temastan kaçınma,
 - ▶ Yüz ve vücuttaki tozları giderme,
 - ▶ Koruyucu kıyafet kullanma ve maruz kalan alanları su ve sabunla yıkama.
- ▶ Parmaklarınızdaki kan dolaşımının daha iyi olması için sık sık molalar veriniz ve parmak egzersizleri yapınız. Uzun süren çalışmalarda yüksek titreşim, parmaklar, eller veya bileklerdeki sinir sisteminde veya kan damarlarında rahatsızlıklara neden olabilir.

Elektrik güvenliği

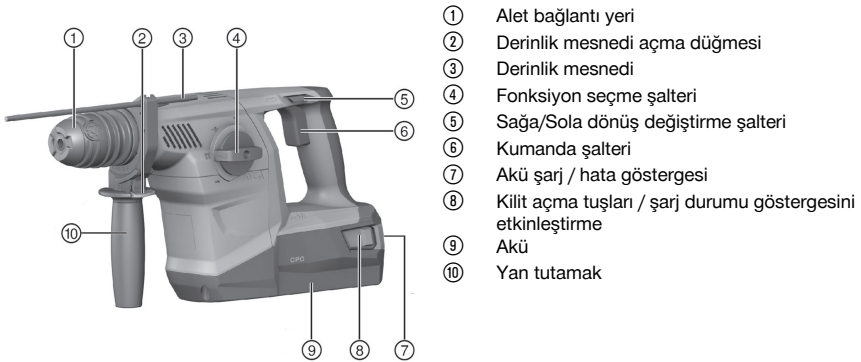
- ▶ Çalışmaya başlamadan önce çalışma alanında üzeri örtülü elektrik kablosu, gaz ve su borusu bulunup bulunmadığını kontrol ediniz. Bir elektrik hattına, bir gaz veya su borusuna zarar verilmesi halinde, ürünün dışındaki metal parçalar elektrik çarpmasına veya patlamaya neden olabilir.

Elektrikli el aletleri ile dikkatli çalışılması ve aletin doğru kullanılması

- ▶ Yere koymadan önce ürünün tamamen durmasını bekleyiniz.

3 Tanımlama

3.1 Ürüne genel bakış



3.2 Usulüne uygun kullanım

Açıklanan ürün, pnömomatik darbe mekanizması olan akülü bir kırıcı-delicidir. Beton, duvar, ahşap ve metal yüzeylerdeki delme işleri için tasarlanmıştır. Bu ürün ayrıca duvardaki hafif-orta keskilme işleri ve beton üzerindeki ilave çalışmalar için de kullanılabilir.

- ▶ Bu ürün için sadece B 36 tip serisi **Hilti** Lityum İyon aküler kullanınız.
- ▶ Bu aküler için sadece C4/36 serisi **Hilti** şarj cihazları kullanınız.

3.3 Olası yanlış kullanım

- Bu ürün, sağlığa zararlı maddelerin işlenmesi için uygun değildir.



- Bu ürün, nemli ortamlardaki çalışmalar için uygun değildir.

3.4 ATC

Ürün, elektronik hızlı kapatma donanımına ATC (Active Torque Control) sahiptir.

Ek alet takılır veya sıkılırsa, ürün aniden kontrolsüz şekilde ters yönde dönmeye başlar. ATC, ürünün bu ani dönme hareketini algılar ve ürünü derhal kapatır.

- i** Usulüne uygun çalışma durumu için ürünün dönebilmesi gereklidir.
Başarılı hızlı kapatmanın ardından, ürünü kapatınız ve tekrar açınız.

3.5 Motor koruması

Üründe bir motor koruması mevcuttur. Bu tertibat akım girişi ile motor ısınmasını denetler ve aleti aşırı ısınmaya karşı korur.

Presleme basıncı nedeniyle motor aşırı yüklendiğinde aletin performansı fark edilir biçimde düşer veya alet durabilir.

Aşırı yüklenme neticesinde durma veya devir sayısında düşüş yaşanırsa aletin yükünü azaltmalı ve yaklaşık 30 saniye rölantide çalıştırmalısınız.

3.6 Lityum İyon akü göstergesi

Lityum İyon akülerin şarj durumu ve aletin arızaları Lityum İyon akülerin göstergesiyle görüntülenir. Lityum İyon akülerin şarj durumu, her iki kilit açma tuşuna hafifçe basarak görüntülenebilir.

Durum	Anlamı
4 LED yanıyor.	Şarj durumu: %75 ile %100 arası
3 LED yanıyor.	Şarj durumu: %50 ile %75 arası
2 LED yanıyor.	Şarj durumu: %25 ile %50 arası
1 LED yanıyor.	Şarj durumu: %10 ile %25 arası
1 LED yanıp sönüyor.	Şarj durumu: < %10
1 LED yanıp sönüyor, alet çalışmaya hazır değil.	Akü aşırı ısınmış veya tamamen boşalmış.
4 LED yanıp sönüyor, alet çalışmaya hazır değil.	Alet aşırı yüklü veya aşırı ısınmış.

- i** Kumanda şalterine basılıyken ve kumanda şalteri bırakıldıktan sonra 5 saniye içinde şarj durumu sorgusu yapmak mümkün değildir.
Akü göstergesinin LED'leri yanıp söndüğünde lütfen Arızalar bölümündeki uyarıları dikkate alınız.

3.7 Teslimat kapsamı

Kırıcı-delici, derinlik mesnetli yan tutamak, kullanım kılavuzu.

- i** Güvenli çalışma için sadece orijinal yedek parçalar ve sarf malzemeleri kullanınız. Tarifimizden onaylanmış yedek parçaları, aksesuarları ve sarf malzemelerini **Hilti Center** veya **www.hilti.com** adresinde bulabilirsiniz.

4 Teknik veriler

4.1 Teknik veriler

	TE 30-A36
Nominal gerilim	36 V
EPTA-Prosedür 05/2009'a göre tek darbe enerjisi	3,6 J
Ağırlık	5,1 kg



4.2 EN 62841 uyarınca ses bilgisi ve titreşim değerleri

Bu talimatlarda belirtilen ses basıncı ve titreşim değerleri, ilgili normlara uygun bir ölçüm metodu ile ölçülmüştür ve elektrikli el aletlerinin birbirleri ile karşılaştırılması için kullanılabilir. Zorlanmaların geçici olarak değerlendirilmesine de uygundur.

Belirtilen değerler, elektrikli el aletinin ana kullanım alanlarını temsil eder. Elektrikli el aletinin, farklı ek aletlerle veya yetersiz bakım yapılmış şekilde kullanılması durumunda, veriler sapma gösterebilir. Bu durum, toplam çalışma süresi boyunca zorlanmayı belirgin şekilde yükseltebilir.

Doğru bir zorlanma değerlendirmesi için elektrikli el aletinin kapatıldığı veya çalışır konumda olduğu ve ayrıca kullanımda olmadığı zamanlar da dikkate alınmalıdır. Bu durum, toplam çalışma süresi boyunca zorlanmayı belirgin şekilde azaltabilir.

Kullanıcıyı ses ve/veya titreşimin etkilerinden koruyacak ek güvenlik önlemleri belirleyiniz, örneğin: Elektrikli el aletinin ve ek aletlerin bakımının yapılması, ellerin sıcak tutulması, iş akışlarının düzenlenmesi.

Ses emisyonu değerleri

	TE 30-A36
Ses gücü seviyesi (L_{WA})	103 dB
Ses basıncı seviyesi (L_{pA})	92 dB
Emniyetsiz ses gücü / ses seviyesi	3 dB

Toplam titreşim değerleri

	TE 30-A36	
Metalde delme ($a_{h, HD}$)	5 m/sn ²	
Betonda darbeli delme ($a_{h, HD}$)	B 36/5.2	10,3 m/sn ²
	B 36/9.0	9,3 m/sn ²
Keskileme	B 36/5.2	8,5 m/sn ²
	B 36/9.0	7,3 m/sn ²
Emniyetsizlik	1,5 m/sn ²	

5 Kullanım

5.1 Çalışma hazırlığı



İKAZ

Yaralanma tehlikesi kazara çalışmaya başlama nedeniyle!

- ▶ Aküyü takmadan önce ilgili ürünün kapalı konumda olduğundan emin olunuz.
- ▶ Cihazın ayarlarını yapmadan veya aksesuarları değiştirmeden önce aküyü çıkartınız.

Bu dokümanda ve ürün üzerinde bulunan güvenlik ve uyarı bilgilerine dikkat ediniz.

5.1.1 Akünün yerleştirilmesi 2

1. Aküyü, duyulur şekilde yerine oturana kadar cihaz tutucusuna bastırınız.
2. Akünün alette emniyetli bir şekilde yerleşip yerleşmediğini kontrol ediniz.

5.1.2 Akünün çıkartılması 3

1. Akünün kilit açma tuşlarına basınız.
2. Aküyü arkaya doğru dışarı çekiniz.

5.1.3 Akünün şarj edilmesi



Aküyü izin verilen şarj cihazına takmadan önce akü dış yüzeylerinin temiz ve kuru olmasını sağlayınız. Şarj işleminden önce şarj cihazının kullanım kılavuzunu okuyunuz.

- ▶ Aküyü izin verilen şarj cihazında şarj ediniz.



5.1.4 Yan tutamak montajı 4

DİKKAT

Yaralanma tehlikesi! Ürün kontrolünün kaybedilmesi.

- ▶ Yan tutamağın doğru monte edildiğinden ve usulüne uygun şekilde sabitlendiğinden emin olunuz. Germe bandının ürünün öngörülen kanalında olduğundan emin olunuz.

1. Yan tutamak tutucusunu (germe bandı) sökmek için tutamağı çeviriniz.
2. Tutamağı (germe bandı), bunun için öngörülen oyuğa kadar alet bağlantı yeri üzerinden öne doğru itiniz.
3. Yan tutamağı istenen konuma konulandırınız.
4. Yan tutamak tutucusunu (germe bandı) germek için tutamağı çeviriniz.

5.1.5 Derinlik mesnedi ayarı (opsiyonel) 5

1. Yan tutamaktaki kilit açma tuşuna basınız.
2. Derinlik mesnedini istenilen delme derinliğine ayarlayınız.
3. Kilit açma tuşunu bırakınız.
4. Yan tutamağın gevşek olup olmadığını kontrol ediniz.

5.1.6 Alet bağlantı yerinin sökülmesi 6

DİKKAT

Yaralanma tehlikesi! Monte edilmiş fakat kullanılmayan derinlik mesnedi nedeniyle kullanıcının engellenmesi.

- ▶ Derinlik mesnedini üründen çekip çıkarınız.



Alet bağlantı yeri değişimi sırasında fonksiyon seçme şalterinde "Kesikleme" T konumunu seçiniz.

1. Aküyü aletten çıkartınız.
2. Alet bağlantı yerinden tutunuz ve 3 kilit halkasını yukarı yönde çekiniz.
3. Alet bağlantı yerini yukarı doğru çekerek çıkartınız.

5.1.7 Alet bağlantı yerinin takılması 6

DİKKAT

Yaralanma tehlikesi! Monte edilmiş fakat kullanılmayan derinlik mesnedi nedeniyle kullanıcının engellenmesi.

- ▶ Derinlik mesnedini üründen çekip çıkarınız.



Alet bağlantı yerinde / değişiminde fonksiyon seçme şalterinden şu sembolü seçiniz: T .

1. Aküyü aletten çıkartınız.
2. Alet bağlantı yerinden tutunuz ve 3 kilit halkasını yukarı yönde çekiniz.
3. Alet bağlantı yerini tutucuya yerleştiriniz.
4. Alet bağlantı yerini, yerine oturana kadar döndürünüz.

5.1.8 Aletin takılması 7

1. Ek aletin giriş ucunu gresle hafifçe yağlayınız.
 - ▶ Sadece **Hilti** marka orijinal gres kullanınız. Yanlış bir gres alette hasara neden olabilir.
2. Ek aleti dayanak yerine kadar alet bağlantı yerine yerleştirip oturtunuz.
3. Aleti yerleştirdikten sonra çekerek güvenli kilitleme durumunu kontrol ediniz.
 - ▶ Ürün kullanıma hazırdır.

5.1.9 Aletin çıkartılması 7

DİKKAT

Ek alet nedeniyle yaralanma tehlikesi! Ek alet sıcak veya keskin kenarlı olabilir.

- ▶ Ek aleti değiştirirken koruyucu eldiven takınız.
- ▶ Alet kılıdını dayanak noktasına kadar geri çekiniz ve ek aleti çıkartınız.



5.2 Çalışma

DİKKAT

Hasar tehlikesi yanlış kullanım nedeniyle!


- ▶ Şalteri dönüş yönü ve/veya fonksiyon seçimi için çalışma esnasında çalıştırmayınız.

Bu dokümanda ve ürün üzerinde bulunan güvenlik ve uyarı bilgilerine dikkat ediniz.


5.2.1 Fonksiyon seçme şalteri

- ▶ Fonksiyon seçme şalterini istenen çalışma konumuna ayarlayınız..
 - ▶ Fonksiyon seçme şalterine çalışma esnasında basılmamalıdır. **Hasar tehlikesi!**

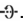
5.2.2 Darbesiz delme

- ▶ Fonksiyon seçme şalterini şu sembolün üzerine getiriniz: .


5.2.3 Darbe ile delme (darbeli delme)

- ▶ Fonksiyon seçme şalterini şu sembolün üzerine getiriniz: .

5.2.4 Keski konumlandırma

- ▶ Fonksiyon seçme şalterini şu sembolün üzerine getiriniz: .
 - ▶ Keski, 12 farklı konumda (30°'lik kademelerle) ayarlanabilir. Böylece yassı ve kalıp keski ile her zaman en uygun çalışma konumunda çalışılabilir.

5.2.5 Kesileme

- ▶ Fonksiyon seçme şalterini şu sembolün üzerine getiriniz: .

5.2.6 Sağa/sola doğru çalışma

- ▶ Sağa / sola dönüş değiştirme şalterini istediğiniz dönüş yönüne ayarlayınız.

6 Bakım ve onarım

İKAZ

Takılı aküden dolayı yaralanma tehlikesi !

- ▶ Tüm bakım ve onarım çalışmalarından önce her zaman aküyü çıkarınız!

Ürün bakımı

- Yapışmış olan kirleri dikkatle çıkartınız.
- Eğer mevcutsa, havalandırma deliklerini kuru ve yumuşak bir fırça ile dikkatlice temizleyiniz.
- Gövdeyi sadece hafif nemli bir temizlik bezi ile temizleyiniz. Plastik parçalara yapışabileceğinden silikon içerikli bakım maddeleri kullanmayınız.
- Ürünün üzerindeki kontak noktalarını temizlemek için temiz ve kuru bir bez kullanınız.

Lityum İyon akülerin bakımı

- Bir aküyü asla havalandırma delikleri tıkalıyken kullanmayınız. Havalandırma deliklerini kuru, yumuşak bir fırça ile dikkatlice temizleyiniz.
- Akünün gereksiz yere toza veya kire maruz kalmamasını sağlayınız. Aküyü asla yüksek neme maruz bırakmayınız (örneğin suya daldırmayınız veya yağmurda bırakmayınız).
Bir akünün ıslanması halinde, ona hasarlı bir akü gibi davranınız. Yanıcı olmayan bir kabın içinde izole ediniz ve **Hilti** servisine başvurunuz.
- Aküyü yabancı yağ ve gresten uzak tutunuz. Akünün üzerinde gereksiz yere toz veya kir birikmesini izin vermeyiniz. Aküyü kuru, yumuşak bir fırça veya temiz, kuru bir bezle temizleyiniz. Plastik parçalara yapışabileceğinden silikon içerikli bakım maddeleri kullanmayınız.
Akünün kontak noktalarına dokunmayınız ve kontak noktalarına fabrikada uygulanmış olan gresi kesinlikle çıkartmayınız.
- Gövdeyi sadece hafif nemli bir temizlik bezi ile temizleyiniz. Plastik parçalara yapışabileceğinden silikon içerikli bakım maddeleri kullanmayınız.



Bakım

- Görünür tüm parçalarda hasar olup olmadığını ve kumanda elemanlarının sorunsuz şekilde çalışıp çalışmadığını düzenli olarak kontrol ediniz.
- Hasar ve/veya fonksiyon arızaları durumunda ürünü işletmeyiniz. Ürünü gecikmeden **Hilti** servisine tamir ettiriniz.
- Bakım ve onarım çalışmalarından sonra tüm koruma tertibatlarını yerleştiriniz ve bunların fonksiyonlarını sorunsuz olarak yerine getirmekte olup olmadıklarını kontrol ediniz.



Güvenli çalışma için sadece orijinal yedek parçalar ve tüketim malzemeleri kullanınız. **Hilti** tarafından onaylanmış, yedek parçaları, aksesuarları ve sarf malzemelerini **Hilti Store** veya şu adreste bulabilirsiniz: www.hilti.group

7 Akülü aletlerin ve akülerin taşınması ve depolanması

Taşıma**⚠ DİKKAT****Taşıma sırasında aletin istem dışı çalışması !**

- ▶ Ürünlerinizi her zaman aküler takılı olmadan taşıyınız!
- ▶ Aküleri çıkartınız.
- ▶ Aküleri kesinlikle sıkıca bağlanmamış koruma ile nakletmeyiniz. Nakliye sırasında, aküler aşırı şok ve titreşimlerden korunmalı ve başka akü kutupları ile temas ederek kısa devreye neden olmaları için, her türlü iletken malzeme veya diğer akülerden izole edilmiş olmalıdır. **Aküler için yerel taşıma talimatlarını dikkate alınız.**
- ▶ Aküler posta ile gönderilmemelidir. Hasarsız aküleri sevk etmek istemeniz halinde, bir nakliye şirketine başvurunuz.
- ▶ Ürünün ve akülerin hasar görmüş olup olmadığını her kullanımdan önce olduğu gibi uzun taşımalardan önce ve sonra kontrol ediniz.

Depolama**⚠ İKAZ****Arızalı veya akan aküler nedeniyle beklenmeyen hasar oluşumu !**

- ▶ Ürünlerinizi her zaman aküleri yerleştirmeden depolayınız!
- ▶ Ürünü ve aküleri serin ve kuru bir yerde muhafaza ediniz. Teknik verilerde belirtilen sıcaklık sınır değerlerini dikkate alınız.
- ▶ Aküleri şarj cihazının üzerinde muhafaza etmeyiniz. Şarj işleminden sonra her zaman aküyü şarj cihazından çıkartınız.
- ▶ Aküleri kesinlikle güneşte, ısı kaynakların üzerinde veya cam arkasında muhafaza etmeyiniz.
- ▶ Ürünü ve aküleri çocukların ve yetkisiz kişilerin ulaşamayacağı yerlerde muhafaza ediniz.
- ▶ Ürünün ve akülerin hasar görmüş olup olmadığını her kullanımdan önce olduğu gibi uzun süreli depolamalardan önce ve sonra kontrol ediniz.

8 Arıza durumunda yardım

Bu tabloda listelenmemiş veya kendi başınıza gideremediğiniz arızalarda lütfen yetkili **Hilti** servisimiz ile irtibat kurunuz.

8.1 Kırıcı-delici çalışır durumdadır

Anıza	Olası sebepler	Çözüm
Akü normalden daha hızlı boşalıyor.	Akünün durumu uygun değil.	▶ Aküyü değiştiriniz.
Akü duyulabilir bir "klik" sesi ile yerine oturmuyor.	Akünün kilit tırnakları kirlenmiş.	▶ Kilit tırnaklarını temizleyiniz ve aküyü yeniden yerine oturtunuz.
Kumanda şalterine basılamıyor veya şalter bloke olmuş.	Sağa/sola dönüş değiştirme şalteri orta konumda.	▶ Sağa/sola dönüş değiştirme şalterini sağa veya sola doğru bastırınız.




Arıza	Olası sebepler	Çözüm
Alet mili dönmüyor.	Kırcı delici elektroniğinin izin verilen çalışma sıcaklığı aşıldı.	► Kırcı-deliciyi soğumaya bırakınız.
	Akü deşarj olmuş.	► Aküyü değiştiriniz ve boş aküyü şarj ediniz.
Kırcı-delici otomatik olarak kapanır.	Zorlanma emniyeti devreye girer.	► Kumanda şalterini bırakınız. Kırcı-deliciyi soğumaya bırakınız. Kumanda şalterine yeniden basınız. Alet yükünü azaltınız.
Kırcı-delici veya aküde yoğun ısı oluşumu.	Elektrik arızası	► Kırcı-deliciyi hemen kapatınız. Aküyü çıkartınız ve durumunu inceleyiniz. Soğumaya bırakınız. Hilti servisi ile iletişim kurunuz.
	Kırcı-delici aşırı yüklendi (kullanım sınırı aşıldı).	► Uygulamaya uygun bir alet seçiniz.
El aleti kilitten çözülüyor.	Alet bağlantı yeri tam olarak geri çekilmemiş.	► Alet kilidini dayanak noktasına kadar geri çekiniz ve aleti çıkartınız.
Matkap ucu yerinden çıkmıyor.	Kırcı-delici sola doğru çalışma konumunda.	► Sağa/sola dönüş değiştirme şalterini sağa doğru çalışma konumuna getiriniz.

8.2 Kırcı-delici çalışır durumda değildir

Arıza	Olası sebepler	Çözüm
LED'ler hiçbir şey göstermiyor.	Akü yerine tamamen takılmamış.	► Aküyü bir klik sesi ile yerine oturtunuz.
	Akü deşarj olmuş.	► Aküyü değiştiriniz ve boş aküyü şarj ediniz.
	Akü çok sıcak veya çok soğuk.	► Akü tavsiye edilen çalışma sıcaklığına getirilmelidir.
1 LED yanıp sönüyor.	Akü deşarj olmuş.	► Aküyü değiştiriniz ve boş aküyü şarj ediniz.
	Akü çok sıcak veya çok soğuk.	► Akü tavsiye edilen çalışma sıcaklığına getirilmelidir.
4 LED yanıp sönüyor.	Kırcı-delici kısa süreli olarak aşırı yüklenmiş.	► Kumanda şalterini bırakınız ve şaltre sonra yeniden basınız.
	Aşırı sıcaklık koruması.	► Kırcı-deliciyi soğumaya bırakınız ve havalandırma kanallarını temizleyiniz.

9 İmha

 **Hilti** aletleri yüksek oranda geri dönüşümlü malzemelerden üretilmiştir. Geri dönüşüm için gerekli koşul, usulüne uygun malzeme ayrımıdır. Çoğu ülkede **Hilti**, eski aletlerini yeniden değerlendirmek üzere geri alır. Bu konuda **Hilti** müşteri hizmetlerinden veya satış temsilcilerinizden bilgi alabilirsiniz.



- Elektrikli el aletlerini, elektronik cihazları ve aküleri evdeki çöplere atmayınız!

10 Üretici garantisi

- Garanti koşullarına ilişkin sorularınız için lütfen yerel **Hilti** iş ortağınıza başvurunuz.



Originalno uputstvo za upotrebu

1 Podaci o uputstvu za upotrebu

1.1 O ovom uputstvu za upotrebu

- Detaljno pročitajte uputstvo za upotrebu pre početka rada. To predstavlja preduslov za bezbedan rad i nesmetano rukovanje.
- Obratite pažnju na bezbednosne i upozoravajuće napomene koje se nalaze u ovom uputstvu za upotrebu i na proizvodu.
- Uputstvo za upotrebu uvek čuvajte na proizvodu i samo sa ovim uputstvom za upotrebu prosleđujte proizvod dalje drugim osobama.

1.2 Legenda

1.2.1 Upozoravajuće napomene

Upozoravajuće napomene upozoravaju na opasnosti pri rukovanju proizvodom. Koriste se sledeće signalne reči:

OPASNOST

OPASNOST !

- ▶ Znači neposrednu opasnu situaciju, koja može prouzrokovati telesne povrede ili smrt.

UPOZORENJE

UPOZORENJE !

- ▶ Ova reč skreće pažnju na moguću opasnost koja može prouzrokovati tešku telesnu povredu ili smrt.







OPREZ

OPREZ !

- ▶ Za moguću opasnu situaciju koja može da dovede do telesnih povreda ili do materijalne štete.


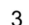


1.2.2 Simboli u uputstvu za upotrebu

Sledeći simboli se koriste u ovom uputstvu za upotrebu:

	Poštovanje uputstva za upotrebu
	Napomene o primeni i druge korisne informacije
	Rad sa reciklažnim materijalima
	Električne uređaje i baterije ne odlažite u kućni otpad
	Hilti Li-Ion akumulatorska baterija
	Hilti Punjač

1.2.3 Simboli na slikama

Sledeći simboli se koriste na slikama:

	Ovi brojevi se odnose na odgovarajuću sliku sa početka ovog uputstva za upotrebu.
	Numeracija na slikama ukazuje na važne radne korake ili na komponente koje su važne za radne korake. Ovi radni koraci ili komponente su u tekstu istaknute odgovarajućim brojevima, npr. (3) .
	Pozicioni brojevi se koriste na slici Pregled i odnose se na brojeve legende u poglavlju Pregled proizvoda .
	Ovaj znak treba da vam skrene posebnu pažnju prilikom rukovanja sa proizvodom.



1.3 Simboli u zavisnosti od proizvoda

1.3.1 Simboli na proizvodu

Sledeći simboli se koriste na proizvodu:

	Bušenje bez udara
	Bušenje pomoću udara (udarno bušenje)
	Klesanje
	Pozicioniranje dleta
	Okretanje nadesno/nalevo
	Prečnik
n_0	Referentni broj obrtaja u praznom hodu
/min	Broj obrtaja u minuti
	Proizvod podržava bežični prenos podataka, koji je kompatibilan sa iOS i Android platformama.
	Upotrebljena kategorija Hilti litijum-jonske akumulatorske baterije. Imajte u vidu podatke u poglavlju Namenska upotreba .
Li-Ion	Litijum-jonska akumulatorska baterija
	Nikada ne koristite akumulatorsku bateriju kao alat za udaranje.
	Ne dozvolite da akumulatorska baterija padne. Ne koristite akumulatorsku bateriju koja je pretrpela udar ili je oštećena na neki drugi način.

1.4 Informacije o proizvodu

HILTI proizvodi su namenjeni za profesionalnog korisnika, a njima sme da rukuje, da ih održava ili popravljaju samo ovlašćeno, upućeno osoblje. To osoblje mora biti posebno upoznato sa mogućim opasnostima. Proizvod i njegova pomoćna sredstva mogu da budu opasni ako ih neobučena lica nestručno tretiraju ili ako se ne koriste namenski.

Oznaka tipa i serijski broj su navedeni na tipskoj pločici.

- ▶ Prenesite serijski broj u sledeću tabelu. Podaci o proizvodu će vam biti potrebni kada budete kontaktirali naše predstavništvo ili servis.

Podaci o proizvodu

Kombinovana udarna bušilica	TE 30-A36
Generacija	03
Serijski br.	

1.5 Izjava o usklađenosti

Pod vlastitom odgovornošću izjavljujemo da je ovde opisani proizvod u skladu sa važećim smernicama i normama. Primerak izjave o usklađenosti nalazi se na kraju ove dokumentacije.

Tehnička dokumentacija se čuva ovde:

Hilti Entwicklungsgesellschaft mbH | Zulassung Geräte | Hiltistraße 6 | 86916 Kaufering, DE

2 Sigurnost

2.1 Opšte sigurnosne napomene za električne alate

⚠ UPOZORENJE Pročitajte pažljivo sigurnosne napomene, uputstva, pregledajte slike i pročitajte tehničke podatke, koje idu uz ovaj električni alat. Greške kod pridržavanja sledećih sigurnosnih napomena i uputstava mogu dovesti do električnog udara, požara i/ili teških povreda.

Molimo sačuvajte sve sigurnosne napomene i uputstva za ubuduće.



2173712

Pojam "električni alat" korišćen u sigurnosnim napomenama odnosi se na električne alate sa napajanjem iz električne mreže (sa mrežnim kablom) i na električne alate sa pogonom na akumulatoru (bez mrežnog kabla).

Sigurnost na radnom mestu

- ▶ **Područje rada održavajte čistim i osvetljenim.** Nered i neosvetljeno radno područje mogu dovesti do nezgoda.
- ▶ **Sa električnim alatom ne radite u okolini ugroženoj eksplozijom, u kojoj se nalaze zapaljive tečnosti, gasovi ili prašine.** Električni alati proizvode iskre koje mogu zapaliti prašinu ili isparenja.
- ▶ **Decu i ostale osobe tokom korišćenja električnog alata udaljite iz područja rada.** Ako biste skrenuli pažnju sa posla mogli biste izgubiti kontrolu nad uređajem.

Električna sigurnost

- ▶ **Priključni utikač električnog alata treba da odgovara utičnici. Na utikaču se ni u kom slučaju ne smeju izvoditi izmene. Ne koristite adapterske utikače zajedno sa zaštitno uzemljenim električnim alatima.** Nepromenjeni utikači i odgovarajuće utičnice smanjuju opasnost od električnog udara.
- ▶ **Izbegavajte dodir tela sa uzemljenim površinama kao što su cevi, radijatori, šporeti i frižideri.** Postoji povećana opasnost od električnog udara ako je vaše telo uzemljeno.
- ▶ **Električni alat držite dalje od kiše ili vlage.** Prodiranje vode u električni alat povećava opasnost od električnog udara.
- ▶ **Kabl ne upotrebljavajte za nošenje ili vešanje električnog alata odnosno za izvlačenje utikača iz utičnice. Kabl držite dalje od izvora toplote, ulja, oštih ivica ili pokretnih delova.** Oštećeni ili zapleteni kablovi povećavaju opasnost od električnog udara.
- ▶ **Ako sa električnim alatom radite na otvorenom prostoru, upotrebljavajte samo produžne kablove odobrene za upotrebu na otvorenom prostoru.** Primena produžnog kabla prikladnog za upotrebu na otvorenom prostoru smanjuje opasnost od električnog udara.
- ▶ **Ako ne možete izbeći rad električnog alata u vlažnom okruženju, koristite zaštitnu strujnu sklopku.** Upotreba zaštitne strujne sklopke smanjuje opasnost od električnog udara.

Sigurnost ljudi

- ▶ **Budite oprezni, pazite šta činite i kod rada sa električnim alatom postupajte razumno. Nemojte koristiti električni alat, ako ste umorni ili ste pod uticajem droga, alkohola ili lekova.** Momenat nepažnje prilikom upotrebe električnog alata može da dovede do ozbiljnih povreda.
- ▶ **Nosite sredstva lične zaštite i uvek zaštitne naočare.** Nošenje sredstava lične zaštite, kao što su zaštitna maska, sigurnosne cipele koje ne klize, zaštitna kaciga ili štitnik za sluh, u zavisnosti od vrste i primene električnog alata, smanjuje opasnost od nezgoda.
- ▶ **Izbegavajte nehотиčno stavljanje u pogon. Uverite se, da je električni alat isključen, pre nego što priključite snabdevanje naponom i/ili akumulator, ili ga primite ili nosite.** Ako kod nošenja električnog alata prst držite na prekidaču ili ako je alat uključen i priključen na električnu mrežu, to može dovesti do nezgoda.
- ▶ **Pre nego što uključite električni alat, uklonite alate za podešavanje ili vijčane ključeve.** Alat ili ključ koji se nalazi u rotirajućem delu alata može dovesti do nezgoda.
- ▶ **Izbegavajte nenormalan položaj tela. Zauzmite siguran i stabilan položaj tela i u svakom trenutku održavajte ravnotežu.** Na taj način električni alat možete bolje kontrolisati u neočekivanim situacijama.
- ▶ **Nosite prikladnu odeću. Ne nosite široku odeću ili nakit. Neka vaša kosa, odeća i rukavice budu što dalje od pokretnih delova.** Opuštenu odeću, nakit ili dugu kosu mogu zahvatiti pokretni delovi alata.
- ▶ **Ako su montirani alati za usisavanje i hvatanje prašine, proverite jesu li isti priključeni i da li se pravilno koriste.** Upotreba usisivača može smanjiti opasnost.
- ▶ **Nikada nemojte da se osećate previše sigurnim i nikada nemojte da se ne pridržavate pravila u vezi rukovanja električnim alatom, iako ste nakon dužeg rada dobro upoznati sa radom sa električnim alatom.** Neodgovornim rukovanjem moguće je za samo nekoliko sekundi zadobiti teške povrede.

Upotreba i rukovanje električnim alatom

- ▶ **Ne preopterećujte alat. Za vrstu posla koji obavljate koristite za to predviđen električni alat.** Sa odgovarajućim električnim alatom radićete bolje i sigurnije, u navedenom području snage.
- ▶ **Ne upotrebljavajte električni alat sa neispravnim prekidačem.** Električni alat koji se više ne može uključiti ili isključiti, opasan je i treba ga popraviti.
- ▶ **Izvcite utikač iz utičnice i/ili izvadite akumulator koji se skida iz alata pre podešavanja alata, zamene delova pribora ili odlaganja alata.** Ovim merama opreza sprečićete nehottično pokretanje električnog alata.
- ▶ **Nekorišćene električne alate držite van domašaja dece. Ne dozvolite da alat koriste osobe koje sa njim nisu upoznate ili koje nisu pročitale ova uputstva.** Električni alati su opasni ako ih koriste neiskusne osobe.



- ▶ **Pažljivo održavajte električne alate i pribor. Uverite se da pokretljivi delovi električnog alata rade besprekorno i da nisu zaglavljani, polomljeni ili oštećeni tako da negativno utiču na funkcionisanje alata. Oštećene delove popravite pre upotrebe alata.** Uzrok mnogih nezgoda leži u loše održanim električnim alatima.
- ▶ **Rezne alate održavajte ostrim i čistim.** Brižljivo održavani rezni alati sa ostrim sečivima neće se zaglaviti i lakši su za vođenje.
- ▶ **Koristite električni alat, pribor, alate za umetanje itd. u skladu sa ovim uputstvom. Kod toga uzmite u obzir radne uslove i izvođene radove.** Upotreba električnih alata za neke druge primene različite od predviđenih, može dovesti do opasnih situacija.
- ▶ **Rukohvati i površine za hvatanje moraju biti suve, čiste, bez ostataka ulja i masti.** Klizavi rukohvati i površine za hvatanje onemogućavaju sigurno rukovanje i kontrolu električnog alata u nepredvidivim situacijama.

Upotreba i rukovanje akumulatorskim alatom

- ▶ **Akumulatore puniti samo u punjačima koje preporučuje proizvođač.** Kod punjača, koji je prikladan za određenu vrstu akumulatora, postoji opasnost od požara ako se koristi sa drugim akumulatorima.
- ▶ **Za električne alate upotrebljavajte samo za to predviđene akumulatore.** Upotreba nekog drugog akumulatora može dovesti do povreda i opasnosti od požara.
- ▶ **Nekoristišćeni akumulator držite dalje od kancelarijskih spajalica, kovanica, ključeva, klinova, vijaka ili drugih sitnih metalnih predmeta koji bi mogli prouzrokovati premošćenje kontakata.** Kratak spoj između kontakata akumulatora može dovesti do opekotina ili do požara.
- ▶ **Kod neispravne primene može doći do curenja tečnosti iz akumulatora. Izbegavajte kontakt sa njom. U slučaju nehotičnog kontakta isperite vodom. Ako tečnost dospe u oči, dodatno potražite pomoć doktora.** Tečnost koja iscuri iz akumulatora, može dovesti do nadražaja kože ili opekotina.
- ▶ **Nemojte da koristite oštećene ili modifikovane akumulatore.** Oštećeni ili modifikovani akumulatori mogu biti veoma nepredvidljivi i da dovedu do nastanka požara, eksplozije i povređivanja.
- ▶ **Nemojte da izlažete akumulator vatri ili visokim temperaturama.** Vatra ili temperature iznad 130 °C (265 °F) mogu da dovedu do eksplozije.
- ▶ **Pridržavajte se svih uputstava u vezi punjenja i nikada nemojte da puniti akumulator ili alat sa akumulatorom izvan temperaturnog opsega navedenog u uputstvu za upotrebu.** Pogrešno punjenje ili punjenje izvan dozvoljenog temperaturnog opsega može da uništi akumulator i da predstavlja opasnost od nastanka požara.

Servisiranje

- ▶ **Popravku električnog alata prepustite samo kvalifikovanom stručnom osoblju i samo sa originalnim rezervnim delovima.** Na taj način postići će se održavanje sigurnosti alata.
- ▶ **Nikada nemojte da održavate oštećene akumulatore.** Sva održavanja akumulator treba da obavlja proizvođač ili ovlašćeni servis za kupce.

2.2 Sigurnosne napomene za čekić

Sigurnosne napomene za sve radove

- ▶ **Nosite zaštitu za sluh.** Delovanje buke može uzrokovati gubitak sluha.
- ▶ **Upotrebljavajte dodatne rukohvate isporučene sa alatom.** Gubitak kontrole može prouzrokovati telesne povrede.
- ▶ **Ako izvodite radove kod kojih alat za umetanje može da dođe u kontakt sa skrivenim strujnim vodovima, alat držite samo za izolovane prihvatne površine.** Kontakt sa vodom pod naponom može da sprovede napon do metalnih delova alata i dovede do strujnog udara.

Sigurnosne napomene pri korišćenju dugih bušilica

- ▶ **Postupak bušenja uvek počnite sa malim brojem obrtaja i dok bušilica ima kontakt sa radnim komadom.** Kod većih brojeva obrtaja, bušilica može da se blago iskrivi ako može da se okreće i bez kontakta sa radnim komadom, što može da dovede do povreda.
- ▶ **Nemojte primenjivati prekomerni pritisak i samo u uzdužnom smeru bušilice.** Bušilice mogu da se saviju i na taj način slome ili mogu da izgube kontrolu, što može da dovede do povreda.

2.3 Dodatne sigurnosne napomene za pneumatski čekić-dleto

Bezbednost ljudi

- ▶ Koristite proizvod i pribor samo dok je u tehnički besprekornom stanju.
- ▶ Nikad nemojte vršiti manipulacije ili promene na proizvod ili priboru.
- ▶ Prilikom klesanja plafona, zidova i podova vodite računa o sigurnom i stabilnom položaju tela. Neočekivano probijanje vas može izbaciti iz ravnoteže!



- ▶ Prilikom probijanja osigurajte područje na suprotnoj strani rada. Komadići materijala bi mogli ispasti i / ili se srušiti i povrediti druge osobe.
- ▶ Prilikom upotrebe, vi i osobe koje se nalaze u blizini, koristite odgovarajuće zaštitne naočare, zaštitni šlem, zaštitu za sluh i laganu zaštitu za disajne organe.
- ▶ Nosite zaštitne rukavice prilikom zamene alata. Dodirivanje namenskog alata može da dovede do posekotine i opekotine.
- ▶ Koristite zaštitne naočare. Odvojeni materijal može da povredi telo i oči.
- ▶ Prašina, koja nastaje prilikom brušenja, šmirglanja, i bušenja, može da sadrži opasne hemikalije. Neki primeri su: olovo ili boja na bazi olova; cigla, beton i drugi proizvodi za zidanje, prirodni kamen, i drugi proizvodi koji sadrže silikat; određena drva, kao što su hrast, bukva i hemijski obrađeno drvo; azbest ili materijali koji sadrže azbest. Odredite izloženost korisnika i posmatrača prema klasi opasnosti materijala na kojima se radi. Preduzmite neophodne mere za održavanje izlaganja na sigurnom nivou, kao što su npr. primena sistema za sakupljanje prašine ili nošenje odgovarajuće zaštite za disanje. Opšte mere za smanjenje izloženosti uključuju:
 - ▶ rad u dobro provetranom području,
 - ▶ izbegavanje dužeg kontakta sa prašinom,
 - ▶ skidanje prašine sa lica i tela,
 - ▶ nošenje zaštitne odeće i pranje izloženih područja vodom i sapunom.
- ▶ Pravite često pauze i radite vežbe za pospešivanje cirkulacije krvi u prstima. Pri dužim radovima može da dođe do toga da jake vibracije izazovu smetnje u krvnim sudovima ili u nervnom sistemu prstiju, šaka ili zglobova.

Električna sigurnost

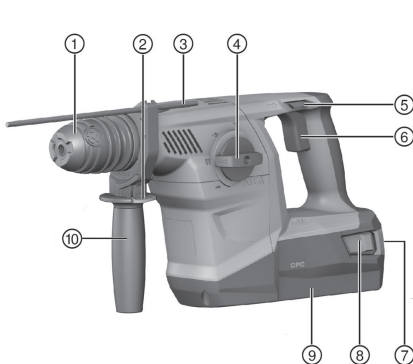
- ▶ Pre početka rada proverite da li u radnom prostoru postoje prekriveni električni kablovi ili cevi za gas ili vodu. Spoljašnji metalni delovi na proizvodu mogu da izazovu strujni udar ili eksploziju, ako oštete neki strujni kabl, cev za gas ili vodu.

Brižljivo rukovanje i upotreba električnih alata

- ▶ Sačekajte da se proizvod najpre potpuno umiri, pre nego što ga odložite.

3 Opis

3.1 Pregled proizvoda



- ① Stezna glava
- ② Dugme za otključavanje graničnika za dubinu
- ③ Graničnik za dubinu
- ④ Prekidač za izbor funkcije
- ⑤ Prekidač za okretanje na desno/levo
- ⑥ Upravljački prekidač
- ⑦ Akumulatorska baterija sa indikatorom stanja napunjenosti i grešaka
- ⑧ Tasteri za deblokiranje / Aktiviranje indikatora stanja napunjenosti
- ⑨ Akumulatorska baterija
- ⑩ Bočni rukohvat

3.2 Uпотреba u skladu sa odredbama

Opisani proizvod je kombinovana akumulatorska udarna bušilica sa pneumatskim udarnim mehanizmom. Ona je namenjena za radove bušenja u betonu, zidovima, drvetu i metalu. Proizvod se dodatno može koristiti za lagane do srednje radove klesanja na zidovima i naknadne radove na betonu.

- ▶ Za ovaj proizvod upotrebljavajte samo **Hilti** Li-Ion akumulatorske baterije serije B 36.
- ▶ Za ovu akumulatorsku bateriju upotrebljavajte samo **Hilti** punjače C4/36 serije.

3.3 Moguća pogrešna upotreba

- Ovaj proizvod nije prikladan za obrađivanje materijala opasnih po zdravlje.
- Ovaj proizvod nije prikladan za rad u vlažnom okruženju.



3.4 ATC

Proizvod je opremljen elektronskim brzim isključivanjem ATC (Active Torque Control). Ako se alat za umetanje blokira ili zaglavi, proizvod se okreće odjednom nekontrolisano u suprotnom smeru. ATC prepoznaje ovo nekontrolisano okretanje proizvoda i odmah isključuje uređaj.



Za pravilno funkcionisanje proizvod mora nesmetano da se okreće. Nakon uspešnog brzog isključivanja, isključite proizvod i ponovo ga uključite.

3.5 Zaštita motora

Proizvod je opremljen zaštitom motora. Zaštita motora nadzire prijem struje, kao i zagrevanje motora i štiti uređaj od pregrevanja.

U slučaju preopterećenja motora zbog visokog potisnog pritiska, snaga uređaja primetno popušta ili uređaj može da se zaustavi.

Ukoliko dođe do zaustavljanja ili redukcije broja obrtaja zbog preopterećenja, morate da rasteretite uređaj i da ga pustite da radi u praznom hodu otprilike 30 sekundi.

3.6 Prikaz Li-Ion baterije

Nivo punjenja Li-Ion akumulatorske baterije i smetnje kod uređaja će biti signalizirane preko prikaza Li-Ion akumulatorske baterije. Status napunjenosti Li-Ion akumulatorske baterije se prikazuje posle dodirivanja jednog od dva tastera za deblokiranje akumulatorske baterije.

Stanje	Značenje
4 LED-a svetle.	Status napunjenosti: 75 % do 100 %
3 LED-a svetle.	Status napunjenosti: 50 % do 75 %
2 LED-a svetle.	Status napunjenosti: 25 % do 50 %
1 LED svetli.	Status napunjenosti: 10 % do 25 %
1 LED treperi.	Status napunjenosti: < 10 %
1 LED svetli, uređaj nije spreman za rad.	Baterija je pregrejana ili potpuno ispražnjena.
4 LED svetle, uređaj nije spreman za rad.	Uređaj je preopterećen ili pregrejan.



Ukoliko je prekidač za upravljanje aktiviran i 5 sekundi posle otpuštanja prekidača za upravljanje nije moguće da proverite status napunjenosti.

Kada trepere LED diode prikaza akumulatorske baterije, obratite pažnju na napomene u poglavlju „Pomoć u slučaju smetnji“.

3.7 Sadržaj isporuke

Kombinovana udarna bušilica, bočna drška sa graničnikom za dubinu, uputstvo za upotrebu.



Za siguran režim rada upotrebljavajte samo originalne rezervne delove i potrošne materijale. Rezervni delovi, potrošni materijal i pribor koji smo odobrili za vaš proizvod naći ćete u vašem **Hilti** centru ili na: www.hilti.com

4 Tehnički podaci

4.1 Tehnički podaci

	TE 30-A36
Nominalni napon	36 V
Energija pojedinačnog udarca prema EPTA-postupku 05/2009	3,6 J
Težina	5,1 kg



4.2 Informacije o šumu i vrednosti vibracija prema EN 62841

U ovim uputstvima navedene vrednosti pritiska zvuka i vibracija su izmerene u skladu sa normiranim postupkom merenja i možete zajedno da ih koristite za poređenje električnih alata. Takođe su primereni za preliminarnu procenu ekspozicija.

Navedeni podaci se odnose primarne primene električnog alata. Ako se električni alat inače koristi za druge primene sa alatima za umetanje koji se razlikuju ili nisu dovoljno dobro održavani, podaci se mogu razlikovati. To može znatno povećati ekspozicije tokom celokupnog radnog veka.

Za tačnu procenu izloženosti treba uzeti u obzir i vreme kada je električni alat isključen ili kada radi, ali nije u upotrebi. To može znatno smanjiti ekspozicije tokom celokupnog radnog veka.

Odredite dodatne sigurnosne mere za zaštitu korisnika od delovanja zvuka i/ili vibracija kao npr.: održavanje električnog alata i alata za umetanje, održavanje toplih ruku, organizacija tokova rada.

Vrednosti emisije buke

	TE 30-A36
Nivo jačine buke (L_{WA})	103 dB
Nivo pritiska zvuka (L_{pA})	92 dB
Merna nesigurnost jačine zvuka / nivoa zvuka	3 dB

Ukupne vrednosti vibracija

		TE 30-A36
Bušenje u metal ($a_{h, HD}$)		5 m/s ²
Udarno bušenje u betonu ($a_{h, HD}$)	B 36/5.2	10,3 m/s ²
	B 36/9.0	9,3 m/s ²
Klesanje	B 36/5.2	8,5 m/s ²
	B 36/9.0	7,3 m/s ²
Nesigurnost		1,5 m/s ²

5 Rukovanje

5.1 Priprema za rad

UPOZORENJE

Opasnost od povrede nesmotrenim pokretanjem!

- ▶ Pre postavljanja akumulatorske baterije uverite se da je proizvod isključen.
- ▶ Izvadite akumulatorsku bateriju pre podešavanja uređaja ili zamene delova pribora.

Obratite pažnju na bezbednosne i upozoravajuće napomene koje se nalaze u ovoj dokumentaciji i na proizvodu.

5.1.1 Umetanje akumulatorske baterije

1. Postavite akumulatorsku bateriju u držač uređaja tako da čujno ulegne.
2. Proverite da li je akumulatorska baterija ispravno ulegla.

5.1.2 Uklanjanje akumulatorske baterije

1. Pritisnite tastere za deblokiranje akumulatorske baterije.
2. Akumulatorsku bateriju izvucite povlačenjem unazad.

5.1.3 Punjenje akumulatorske baterije



Uverite se da su spoljašnje površine akumulatorske baterije čiste i suve, pre nego što akumulatorsku bateriju uvučete u sertifikovani punjač.

Za postupak punjenja pročitajte uputstva za upotrebu odgovarajućeg punjača.

- ▶ Akumulatorsku bateriju napunite u sertifikovanom punjaču.



5.1.4 Montaža bočnog rukohvata

OPREZ

Opasnost od povreda! Gubitak kontrole nad proizvodom.

- ▶ Uverite se da je bočna drška pravilno montirana i da je odgovarajuće pričvršćena. Uverite se da zatezna traka leži u za to predviđenom žlebu na proizvodu.

1. Okrenite na rukohvatu, kako biste otpustili držač (zateznu traku) bočnog rukohvata.
2. Gurnite držač (zateznu traku) spređa preko stezne glave do završetka za to predviđenog žleba.
3. Pozicionirajte bočni rukohvat u željeni položaj.
4. Okrenite na rukohvatu, kako biste zategli držač (zateznu traku) bočnog rukohvata.

5.1.5 Podešavanje graničnika za dubinu (opcionalno)

1. Pritisnite dugme za otključavanje koje se nalazi na bočnom rukohvatu.
2. Podesite graničnik za dubinu na željenu dubinu bušenja.
3. Pustite dugme za otključavanje.
4. Proverite da li je bočni rukohvat ispravno ulegao.

5.1.6 Demontaža stezne glave alata

OPREZ

Opasnost od povreda! Ometanje korisnika zbog montiranog, ali nekorišćenog graničnika za dubinu.

- ▶ Skinite graničnik za dubinu sa proizvoda.



Pri zameni stezne glave na prekidaču za izbor funkcija izaberite položaj "Klesanje"

1. Izvadite akumulatorsku bateriju iz uređaja.
2. Obuhvatite steznu glavu i povucite 3 prstena za zaključavanje na gore.
3. Skinite steznu glavu ka gore.

5.1.7 Montaža stezne glave alata

OPREZ

Opasnost od povreda! Ometanje korisnika zbog montiranog, ali nekorišćenog graničnika za dubinu.

- ▶ Skinite graničnik za dubinu sa proizvoda.



Pri zameni stezne glave na prekidaču za izbor funkcije izaberite sledeći simbol:

1. Izvadite akumulatorsku bateriju iz uređaja.
2. Obuhvatite steznu glavu i povucite 3 prstena za zaključavanje na gore.
3. Postavite steznu glavu alata na držač.
4. Okrećite steznu glavu alata dok ne ulegne.

5.1.8 Umetanje alata

1. Malo podmažite utični kraj alata za umetanje.
 - ▶ Upotrebljavajte samo **Hilti** originalnu mast. Neodgovarajuća mast može da prouzrokuje štetu na uređaju.
2. Umetnite alat za umetanje do graničnika u prihvat alata i pustite ga da ulegne.
3. Nakon umetanja, povucite alat kako biste proverili je li ulegao.
 - ▶ Proizvod je spreman za rad.

5.1.9 Vađenje alata

OPREZ

Opasnost od povrede usled upotrebljenog alata! Alat za umetanje može da bude vreo ili oštri ivica.

- ▶ Nosite zaštitne rukavice prilikom zamene alata za umetanje.
- ▶ Blokadu alata izvucite nazad do graničnika i izvadite alat za umetanje.



5.2 Radovi

OPREZ

Opasnost od oštećenja zbog pogrešnog rukovanja!

- ▶ Nemojte da pritiskate prekidač za pravac okretanja i/ili izbor funkcija tokom rada.

Obratite pažnju na bezbednosne i upozoravajuće napomene koje se nalaze u ovoj dokumentaciji i na proizvodu.

5.2.1 Prekidač za izbor funkcije

- ▶ Postavite prekidač za odabir funkcija na željeni položaj za rad.
 - ▶ Prekidač za odabir funkcija ne sme se koristiti tokom rada. **Opasnost od oštećenja!**

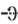
5.2.2 Bušenje bez udara

- ▶ Postavite prekidač za izbor funkcija na ovaj simbol: .

5.2.3 Bušenje pomoću udara (udarno bušenje)

- ▶ Postavite prekidač za izbor funkcija na ovaj simbol: .

5.2.4 Pozicioniranje dleta

- ▶ Postavite prekidač za izbor funkcija na ovaj simbol: 
 - ▶ Dleto se može postaviti u 12 različitih položaja (u koracima od 30°). Time se pomoću pljosnatih i oblikovnih sekača može uvek raditi u optimalnom radnom položaju.

5.2.5 Klesanje

- ▶ Postavite prekidač za izbor funkcija na ovaj simbol: .

5.2.6 Rad udesno/ulevo

- ▶ Podesite sklopku za obrtanje u desno/levo na željeni pravac obrtanja.

6 Nega i održavanje

UPOZORENJE

Opasnost od povrede kod umetnute akumulatorske baterije !

- ▶ Uvek izvadite akumulatorsku bateriju pre svih radova na negovanju i održavanju uređaja!

Održavanje proizvoda

- Pažljivo uklonite čvrsto prionulu prljavštinu.
- Ako postoje, pažljivo očistite proreze za ventilaciju suvom, mekanom četkom.
- Kućište čistite samo blago nakvašenom krpom. Ne upotrebljavajte sredstva za negu na bazi silikona, jer mogu nagristi plastične delove.
- Za čišćenje kontakta proizvoda koristite čistu, suhu krpu.

Nega litijum-jonske akumulatorskih baterija

- Nikada ne upotrebljavajte akumulatorsku bateriju sa ukoliko su prorezi za ventilaciju začepljeni. Proreze za ventilaciju oprezno očistite suvom, mekanom četkom.
- Ne izlažite akumulatorsku bateriju nepotrebnoj prašini ili prljavštini. Ne izlažite akumulatorsku bateriju nikada velikoj vlazi (npr. potapanjem u vodu ili ostavljanjem na kiši).
Ako je akumulatorska baterija navlažena, tretirajte je kao oštećenu akumulatorsku bateriju. Izolujte je u nezapaljivu posudu i obratite se servisu **Hilti**.
- Akumulatorska baterija ne sme da bude zaprljana drugim uljem i mašću. Nemojte dozvoljavati da se na akumulatorskoj bateriji taloži nepotrebna prašina ili prljavština. Akumulatorsku bateriju čistite pomoću suve, mekane četkice ili čiste, suve krpe. Ne upotrebljavajte sredstva za negu na bazi silikona, jer mogu nagristi plastične delove.
Nemojte da dodirujete kontakte akumulatorske baterije i nemojte uklanjati fabrički nanetu masnoću sa kontakata.
- Kućište čistite samo blago nakvašenom krpom. Ne upotrebljavajte sredstva za negu na bazi silikona, jer mogu nagristi plastične delove.



Održavanje

- Redovno proveravajte da li je došlo do oštećenja na vidljivim delovima i da li elementi za rukovanje besprekorno funkcionišu.
- Proizvod nemojte da koristite ukoliko postoje oštećenja i/ili smetnje u funkciji. Proizvod odmah treba da popravi **Hilti** servis.
- Posle radova na nezi i održavanju postavite svu zaštitnu opremu i proverite da li je njihova funkcija ispravna.



Da biste obezbedili bezbedan rad koristite samo originalne rezervne delove i potrošni materijal. Rezervne delove, potrošne materijale i pribor koje je odobrila kompanija **Hilti** se nalaze u vašem **Hilti Store** ili na adresi: www.hilti.group

7 Transport i skladištenje akumulatorskih alata i akumulatorskih baterija

Transport



Nesmotreno pokretanje prilikom transporta !

- ▶ Uvek transportujte vaše proizvode bez umetnutih akumulatorskih baterija!
- ▶ Izvadite akumulatorsku bateriju ili baterije.
- ▶ Nemojte transportovati akumulatorske baterije bez ambalaže. Akumulatorske baterije bi trebalo tokom transporta zaštititi od prekomernih udara i od materijala koji sprovode struju ili izolovati od drugih akumulatorskih baterija, kako se ne bi dodirnule sa drugim polom baterije i prouzrokovale kratak spoj. **Obratite pažnju na vaše lokalne propise za transport akumulatorskih baterija.**
- ▶ Akumulatorske baterije ne smete slati poštom. Obratite se kompaniji za slanje pošiljki, ako želite da pošaljete neoštećene akumulatorske baterije.
- ▶ Prekontrolišite da li na proizvodu i akumulatorskim baterijama ima oštećenja pre svake upotrebe kao i pre i nakon dugotrajnog transporta.

Skladištenje



Nesmotreno oštećenje zbog neispravnih ili isurelih akumulatorskih baterija !

- ▶ Uvek odložite vaše proizvode bez umetnutih akumulatorskih baterija!
- ▶ Čuvajte proizvod i akumulatorske baterije na hladnom i suvom mestu. Pazite na granične vrednosti za temperaturu koje su navedene u tehničkim podacima.
- ▶ Akumulatorske baterije nemojte čuvati na punjaču. Akumulatorsku bateriju nakon punjenja uvek skinite sa punjača.
- ▶ Akumulatorske baterije nemojte čuvati na suncu, izvorima toplote ili iza stakla.
- ▶ Čuvajte proizvod i akumulatorske baterije tako da ne budu pristupačni deci ili neovlašćenim osobama.
- ▶ Prekontrolišite da li na proizvodu i akumulatorskim baterijama ima oštećenja pre svake upotrebe kao i pre i nakon dugotrajnog skladištenja.

8 Pomoć u slučaju smetnji

U slučaju smetnji, koje nisu navedene u ovoj tabeli ili koje ne možete samostalno da otklonite, molimo da se obratite našem **Hilti** servisu.

8.1 Kombinovana udarna bušilica je u funkciji

Smetnja	Mogući uzrok	Rešenje
Akumulatorska baterija se prazni brže nego uobičajeno.	Stanje akumulatorske baterije nije optimalno.	▶ Zamenite akumulatorsku bateriju.
Akumulatorska baterija ne uleže uz zvučni „klik“.	Žlebovi na akumulatoru su zaprljani.	▶ Očistite žlebove i iznova umetnite akumulatorsku bateriju.
Prekidač za upravljanje ne može da se pritisne odnosno blokiran je.	Sklopka za obrtanje u desno/levo u srednjem položaju.	▶ Sklopku za obrtanje u desno/levo pritisnite u desno ili levo.



Smetnja	Mogući uzrok	Rešenje
Vreteno uređaja se ne obrće.	Prekoračena dozvoljena radna temperatura elektronike kombinovane udarne bušilice.	► Kombinovanu udarnu bušilicu ostavite da se ohladi.
	Ispraznite akumulator.	► Zamenite akumulatorsku bateriju i napunite praznu akumulatorsku bateriju.
Kombinovana udarna bušilica se automatski isključuje.	Zaštita od preopterećenja se odoziva.	► Otpustite prekidač za upravljanje. Kombinovanu udarnu bušilicu ostavite da se ohladi. Iznova aktivirajte prekidač za upravljanje. Redukujte opterećenje uređaja.
Veliko formiranje toplote na kombinovanoj udarnoj bušilici ili na akumulatorskoj bateriji.	Električni kvar	► Odmah isključite kombinovanu udarnu bušilicu. Izvadite akumulatorsku bateriju i posmatrajte je. Ostavite je da se ohladi. Kontaktirajte Hilti servis.
	Kombinovana udarna bušilica je preopterećena (prekoračenje granice primene).	► Birajte uređaj koji je adekvatan za primenu.
Alat ne možete da otpustite iz blokade.	Stezna glava nije u potpunosti povučena unazad.	► Blokadu alata vucite nazad do graničnika i izvucite alat.
Svrdlo se ne pomera.	Čekić bušilica je prebačena na obrtanje ulevo.	► Prebacite sklopku za obrtanje na desno/levo u položaj obrtanja na desno.

8.2 Kombinovana udarna bušilica nije u funkciji

Smetnja	Mogući uzrok	Rešenje
LED-ovi se ne prikazuju.	Akumulatorska baterija nije do kraja umetnuta.	► Umetnite akumulatorsku bateriju tako da se čuje klik.
	Ispraznite akumulator.	► Zamenite akumulatorsku bateriju i napunite praznu akumulatorsku bateriju.
	Akumulatorska baterija prevruća ili previše hladna.	► Akumulatorsku bateriju dovedite na preporučenu radnu temperaturu.
1 LED treperi.	Ispraznite akumulator.	► Zamenite akumulatorsku bateriju i napunite praznu akumulatorsku bateriju.
	Akumulatorska baterija prevruća ili previše hladna.	► Akumulatorsku bateriju dovedite na preporučenu radnu temperaturu.
4 LED-a trepere.	Kombinovana udarna bušilica je privremeno preopterećena.	► Otpustite prekidač za upravljanje i iznova ga aktivirajte.
	Zaštita od pregrevanja.	► Kombinovanu udarnu bušilicu ostavite da se ohladi i očistite proreze za ventilaciju.

9 Zbrinjavanje otpada

Hilti uređaji su sa velikim udelom proizvedeni od reciklažnih materijala. Preduslov za ponovnu upotrebu je stručna podela materijala. U mnogim zemljama **Hilti** predaje Vaš stari uređaj na reciklažu. Pitajte **Hilti** servis za klijente ili Vašeg konsultanta za prodaju.



- Električne alate, elektronske uređaje i akumulatorske baterije ne odlažite u kućne otpatke!



10 Garancija proizvođača

- ▶ Ukoliko imate pitanja o uslovima garancije, obratite se lokalnom **Hilti** partneru.



1 بيانات بخصوص دليل الاستعمال

1.1 خاص بدليل الاستعمال هذا

- اقرأ دليل الاستعمال قبل التشغيل. يعتبر هذا شرطا للعمل بشكل آمن والاستخدام بدون اختلالات.
- احرص على مراعاة إرشادات الأمان والإرشادات التحذيرية الواردة دليل الاستعمال هذا والمدونة على المنتج.
- احتفظ بدليل الاستعمال دائما مع هذا المنتج، ولا تعطي المنتج لأشخاص آخرين إلا مع إرفاق دليل الاستعمال هذا معه.

2.1 شرح العلامات

1.2.1 إرشادات تحذيرية

تنبه الإرشادات التحذيرية إلى الأخطار الناشئة عند التعامل مع الجهاز. يتم استخدام الكلمات الدليلية التالية:



خطر

خطر!

◀ تشير لخطر مباشر يؤدي لإصابات جسدية خطيرة أو إلى الوفاة.



تحذير

تحذير!

◀ تشير لخطر محتمل قد يؤدي لإصابات جسدية خطيرة أو إلى الوفاة.



احترس!

احترس!

◀ تشير لموقف خطر محتمل يمكن أن يؤدي لإصابات جسدية أو أضرار مادية.

2.2.1 الرموز في دليل الاستعمال

يتم استخدام الرموز التالية في دليل الاستعمال هذا:

يُراعى دليل الاستعمال	
إرشادات الاستخدام ومعلومات أخرى مفيدة.	
التعامل مع مواد قابلة لإعادة التدوير	
لا تتخلص من الأجهزة الكهربائية البطاريات ضمن القمامة المنزلية	
Hilti بطارية أيونات الليثيوم	
Hilti جهاز الشحن	

3.2.1 الرموز في الصور

تستخدم الرموز التالية في الرسوم التوضيحية:

تشير هذه الأعداد إلى الصورة المعنية في بداية دليل الاستعمال هذا.	2
تشير الأرقام في الصور إلى خطوات العمل المهمة أو إلى الأجزاء المهمة لخطوات العمل. يتم إبراز هذه الخطوات أو الأجزاء في النص من خلال الأرقام، على سبيل المثال (3).	3
يتم استخدام أرقام المواضع في صورة العرض العام وهي تشير إلى أرقام تعليق الصورة في فصل عرض عام للمنتج.	11
هذه العلامة من شأنها أن تُثير انتباهك جيدا عند التعامل مع المنتج.	



3.1 الرموز المرتبطة بالمنتج

1.3.1 الرموز على المنتج

يتم استخدام الرموز التالية على المنتج:

	الثقب بدون طرق
	الثقب بالطرق (الثقب المطرقي)
	النقر بالإزميل
	تحديد موضع الإزميل
	الدوران جهة اليمين/اليسار
	القطر
	عدد اللفات الاسمي في الوضع الممايد
	عدد اللفات في الدقيقة
	ي دعم المنتج عملية نقل البيانات لاسلكيا، والتي تتوافق مع أجهزة آيفون وأندرويد.
	بطاريات أيونات الليثيوم Hilti المستخدمة من النوع. احرص على مراعاة التعليمات الواردة في الفصل الاستخدام المطابق للتعليمات .
	بطارية أيونات الليثيوم
	لا تستخدم البطارية أبداً كمطرقة.
	لا تدع البطارية تسقط. لا تستخدم بطارية تعرضت لصدمات أو أي نوع آخر من التلفيات.

4.1 معلومات المنتج

منتجات **Hilti** مصممة للمستخدمين المحترفين ويقتصر استعمالها وصيانتها وإصلاحها على الأشخاص المعتمدين والمدربين جيدا. هؤلاء الأشخاص يجب أن يكونوا قد تلقوا تدريباً خاصاً على الأخطار الطارئة. قد يتسبب الجهاز وأدواته المساعدة في حدوث أخطار إذا تم التعامل معها بشكل غير سليم فنياً من قبل أشخاص غير مدربين أو تم استخدامها بشكل غير مطابق للتعليمات. يوجد مسمى الطراز والرقم المسلسل على لوحة الصنع.

◀ انقل الرقم المسلسل في الجدول التالي. ستحتاج إلى بيانات المنتج في حالة الاستفسارات الموجهة إلى ممثلينا أو مركز الخدمة.

بيانات المنتج

المطرقة متعددة الأغراض	TE 30-A36
الجيل	03
الرقم المسلسل	

5.1 بيان المطابقة

نقر على مسؤوليتنا الفردية بأن المنتج المشروع هنا متوافق مع التشريعات والمواصفات المعمول بها. تجد صورة لبيان المطابقة في نهاية هذا المستند.

المستندات الفنية محفوظة هنا:

Hilti Entwicklungsgesellschaft mbH | Zulassung Geräte | Hiltistraße 6 | 86916 Kaufering, DE



1.2 إرشادات السلامة العامة المتعلقة بالأدوات الكهربائية

⚠ **تحذير** احرص على قراءة جميع إرشادات السلامة، التوجيهات، الصور التوضيحية والموصفات الفنية المرفقة مع هذه الأداة الكهربائية. أي تقصير أو إهمال في الالتزام بالتعليمات التالية قد يتسبب في حدوث صعق كهربائي، نشوب حريق و/أو وقوع إصابات خطيرة.

احتفظ بجميع مستندات إرشادات السلامة والتعليمات لاستخدامها عند الحاجة إليها فيما بعد.

يقصد بمصطلح «الأداة الكهربائية» المذكور في إرشادات السلامة الأدوات الكهربائية المشغلة المشغلة بالكهرباء (باستخدام كابل الكهرباء) أو الأدوات الكهربائية المشغلة بالبطاريات (بدون كابل الكهرباء).

سلامة مكان العمل

- ◀ حافظ على نطاق عملك نظيفاً ومضاءً بشكل جيد. الفوضى أو أماكن العمل غير المضاءة يمكن أن تؤدي لوقوع حوادث.
- ◀ لا تعمل بالأداة الكهربائية في محيط معرض لخطر الانفجار يتواجد به سوائل أو غازات أو أنواع غبار قابلة للاشتعال. الأدوات الكهربائية تولد شرراً يمكن أن يؤدي لإشعال الغبار والأبخرة.
- ◀ احرص على إبعاد الأطفال والأشخاص الآخرين أثناء استخدام الأداة الكهربائية. في حالة انصراف انتباهك قد تفقد السيطرة على الجهاز.

السلامة الكهربائية

- ◀ يجب أن يكون قابس توصيل الأداة الكهربائية متلائماً مع المقبس. لا يجوز تعديل القابس بأي حال من الأحوال. لا تستخدم قوايس مهايأة مع أدوات كهربائية ذات وصلة أرضي محمية. القوايس غير المعدلة والمقابس الملائمة تقلل من خطر حدوث صدمة كهربائية.
- ◀ تجنب حدوث تلامس للجسم مع أسطح مؤرضة مثل الأسطح الخاصة بالمواسير وأجهزة التدفئة والمواد الثلجات. ينشأ خطر متزايد من حدوث صدمة كهربائية عندما يكون جسمك متصلاً بالأرض.
- ◀ أبعد الأدوات الكهربائية عن الأمطار أو البلل. تسرب الماء إلى داخل الأداة الكهربائية يزيد من خطر حدوث صدمة كهربائية.
- ◀ لا تستخدم كابل التوصيل لحمل الأداة الكهربائية أو تعليقها أو لسحب القابس من المقبس. احتفظ بكابل التوصيل بعيداً عن السخونة والزيوت والمواف الحادة والأجزاء المتحركة. كبلات التوصيل التالفة أو المتشابكة تزيد من خطر حدوث صعق كهربائي.
- ◀ عندما تعمل بأداة كهربائية في مكان مكشوف، فلا تستخدم سوى كبلات الإطالة المناسبة للعمل في النطاق الخارجي. استخدام كابل إطالة مناسب للعمل في النطاق الخارجي يقلل من خطر حدوث صعق كهربائي.
- ◀ إذا تعذر تجنب تشغيل الأداة الكهربائية في محيط رطب، فاستخدم مفتاح حماية من تسرب التيار. استخدام مفتاح الحماية من تسرب التيار يقلل خطر حدوث صدمة كهربائية.

سلامة الأشخاص

- ◀ كن يقظاً وانتبه لما تفعل وتعامل مع الأداة الكهربائية بتعقل عند العمل بها. لا تستخدم الأداة الكهربائية عندما تكون متعباً أو تحت تأثير المخدرات أو الكحوليات أو العقاقير. فقد يتسبب عدم الانتباه للحظة واحدة أثناء الاستخدام في حدوث إصابات بالغة.
- ◀ ارتد تجهيزات وقاية شخصية وارتد دائماً نظارة واقية. ارتداء تجهيزات وقاية شخصية، مثل قناع الوقاية من الغبار وأحذية الأمان المضادة للانزلاق وخوذة الوقاية أو واقى السمع، تبعاً لنوع واستخدام الأداة الكهربائية، يقلل من خطر الإصابات.
- ◀ تجنب التشغيل بشكل غير مقصود. تأكد أن الأداة الكهربائية مطفأة قبل توصيلها بالكهرباء و/أو بالبطارية وقبل رفعها أو حملها. إذا كان إصبعك على المفتاح عند حمل الأداة الكهربائية أو كان الجهاز في وضع التشغيل عند التوصيل بالكهرباء، فقد يؤدي ذلك لوقوع حوادث.
- ◀ أبعد أدوات الضبط أو مفاتيح ربط البراغي قبل تشغيل الأداة الكهربائية. الأداة أو المفتاح المتواجد في جزء دوار من الجهاز يمكن أن يؤدي لحدوث إصابات.
- ◀ تجنب اتخاذ وضع غير طبيعي للجسم. احرص على أن تكون واقفاً بأمان وحافظ على توازنك في جميع الأوقات. من خلال ذلك تستطيع السيطرة على الأداة الكهربائية بشكل أفضل في المواقف المفاجئة.
- ◀ ارتد ملابس مناسبة. لا ترتد ملابس فضفاضة أو حلي. احرص على أن يكون الشعر والملابس والقفازات بعيدة عن الأجزاء المتحركة. الملابس الفضفاضة أو الحلي أو الشعر الطويل يمكن أن تشبكت في الأجزاء المتحركة.
- ◀ إذا أمكن تركيب تجهيزات شفت وتجميع الغبار، فتأكد أنها موصلة ومستخدمة بشكل سليم. استخدام تجهيزة شفت الغبار يمكن أن يقلل الأخطار الناتجة عن الغبار.



لا تعتقد بأنك في مأمن من الخطر ولا تتجاهل تشريعات السلامة المعنية للأدوات الكهربائية، حتى وإن كنت على دراية بالأداة الكهربائية بعد تكرار استخدامها. التعامل مع الجهاز بدون حذر قد يؤدي إلى وقوع إصابات بالغة في جزء من الثانية.

استخدام الأداة الكهربائية والتعامل معها

- لا تفرط في التعميل على الجهاز. استخدم الأداة الكهربائية المناسبة للعمل الذي تقوم به. استخدم الأداة الكهربائية المناسبة يتبع لك العمل بشكل أفضل وأكثر أماناً في نطاق العمل المقرر.
- لا تستخدم أداة كهربائية ذات مفتاح تالف. الأداة الكهربائية التي لم يعد يمكن تشغيلها أو إطفائها تمثل خطورة ويجب إصلاحها.
- استبد القابس من المقبس و/أو اخلع البطارية القابلة للخلع من الجهاز قبل إجراء عمليات الضبط، أو استبدال أجزاء الملحقات أو عند ترك الجهاز. هذا الإجراء الوقائي يمنع بدء تشغيل الأداة الكهربائية دون قصد.
- احتفظ بالأدوات الكهربائية غير المستخدمة بعيداً عن متناول الأطفال. لا تسمح باستخدام الجهاز من قبل أشخاص ليسوا على دراية به أو لم يقرأوا هذه التعليمات. الأدوات الكهربائية خطيرة في حالة استخدامها من قبل أشخاص ليست لديهم الخبرة الواجبة.
- اعتني جيداً بالأدوات الكهربائية والملحقات. افحص الأجزاء المتحركة من حيث أداؤها لوظيفتها بدون مشاكل وعدم انحصارها وافحصها من حيث وجود أجزاء مكسورة أو متعرضة للضرر يمكن أن تؤثر سلباً على وظيفة الأداة الكهربائية. اعمل على إصلاح الأجزاء التالفة قبل استخدام الجهاز. الكثير من الحوادث مصدرها الأدوات الكهربائية التي تم صيانتها بشكل رديء.
- حافظ على أدوات القطع حادة ونظيفة. تتميز أدوات القطع ذات حواف القطع المادة المعنى بها بدقة بأنها أقل عرضة للتعثُر وأسبل في التعامل.
- استخدم الأداة الكهربائية والملحقات وأدوات العمل وخلافه طبقاً لهذه التعليمات. احرص في هذه الأثناء على مراعاة اشتراطات العمل والمهمة المراد تنفيذها. استخدام الأدوات الكهربائية في تطبيقات غير تلك المقررة لها يمكن أن يؤدي لمواقف خطيرة.
- حافظ على المقابض ومواضع المسك في حالة جافة ونظيفة وخالية من الزيت والشحم. المقابض ومواضع المسك الانزلاقية تحول دون استعمال الأداة الكهربائية والتحكم بها بشكل آمن في المواقف غير المتوقعة.

استخدام الأداة العاملة بالبطارية والتعامل معها

- لا تشحن البطارية إلا في أجهزة شحن موصى بها من قبل الجبة الصانعة. بالنسبة لجهاز الشحن المناسب لنوع معين من البطاريات، ينشأ خطر الحريق عند استخدامه مع بطاريات أخرى.
- لا تضع في الأدوات الكهربائية سوى البطاريات المخصصة لها. استخدام بطاريات أخرى يمكن أن يؤدي لوقوع إصابات وخطر الحريق.
- أبعد البطارية غير المستخدمة عن مشابك الورق وقطع النقود المعدنية والمفاتيح والمسامير والبراغي أو الأشياء المعدنية الصغيرة الأخرى التي يمكن أن تتسبب في توصيل الملامسين لبعضهما. حدوث قفلة كهربائية بين أطراف توصيل البطارية يمكن أن ينتج عنه حدوث حروق أو نشوب حريق.
- عند الاستخدام بشكل خاطئ يمكن أن يتسرب سائل من البطارية. تجنب ملامسته. اشطفه بالماء في حالة ملامسته عن طريق الخطأ. إذا وصل السائل للعينين، فتوجه للطبيب علاوة على ذلك. سائل البطارية المتسرب يمكن أن يؤدي لتبيح البشرة أو حدوث حروق.
- لا تستخدم بطارية تالفة أو مختلفة. البطاريات التالفة أو المختلفة قد تتفاعل مع نفسها بشكل غير متوقع مما يؤدي لنشوب حريق أو حدوث انفجار أو وقوع إصابات.
- لا تعرض البطارية للنار أو لدرجات حرارة مرتفعة للغاية. حيث قد تؤدي النار ودرجات الحرارة الزائدة عن 130 °م (265 °ف) إلى حدوث انفجار.
- الترم بكافة التعليمات المعنية بالشحن، ولا تقم أبداً بشحن البطارية أو الأداة العاملة بالبطارية خارج نطاق درجة الحرارة الوارد ذكره في دليل التشغيل. الشحن بشكل خاطئ أو خارج نطاق درجة الحرارة المسموح به قد يتلف البطارية ويزيد من خطر الحريق.

الخدمة

- اعمل على إصلاح أدواتك الكهربائية على أيدي فنيين معتمدين فقط والاقصر على استخدام قطع الغيار الأصلية. وبذلك تتأكد من الحفاظ على سلامة الجهاز.
- لا تقم أبداً بصيانة البطاريات التالفة. يجب أن تتم جميع أعمال الصيانة بمعرفة الجبة الصانعة فقط أو من خلال مراكز خدمة العملاء المعتمدين.



2.2 إرشادات السلامة الخاصة بالمطارق

إرشادات السلامة لجميع الأعمال

- ◀ استخدم واقياً للسمع. لذا يرجى مراعاة أن الضجيج الصاخب يمكن أن يُفقد القدرة على السمع.
 - ◀ استخدم المقابض الإضافية الموردة مع الجهاز. فقدان السيطرة يمكن أن يؤدي لوقوع إصابات.
 - ◀ أمسك الجهاز من مواضع المسك المعزولة عند إجراء أعمال يحتمل فيها أن تتلامس أداة الشغل مع أسلاك كهربائية مخفية. حيث أن ملامسة سلك يسري فيه التيار الكهربائي يمكن أن ينقل الجهد الكهربائي للأجزاء المعدنية بالجهاز ويؤدي لحدوث صدمة كهربائية.
- ### إرشادات السلامة في حالة استخدام ريشة ثقب طويلة
- ◀ ابدأ عملية الثقب دائماً بعدد لفات منخفض وعندما تكون ريشة الثقب ملامسة لقطعة الشغل. عند العمل بعدد لفات أعلى يمكن أن تنتهي ريشة الثقب بسبولة، إذا دارت دون تلامس مع قطعة الشغل، وتؤدي إلى وقوع إصابات.
 - ◀ اضغط على ريشة الثقب بدون إفراط وفي اتجاه طولي فقط. فقد تتعرض ريشة الثقب للانثناء والانكسار من جراء ذلك، أو من الممكن أن تفقد السيطرة عليها وتتسبب في وقوع إصابات.

3.2 إرشادات السلامة الإضافية المتعلقة بالإزميل الدقاق

سلامة الأشخاص

- ◀ اقتصر على استخدام المنتج والملحقات وهم في حالة سليمة من الناحية الفنية.
- ◀ لا تقم أبداً بأية تدخلات أو تغييرات على المنتج أو الملحقات.
- ◀ يجب مراعاة الوقوف بشكل ثابت وأمن عند النقر بالإزميل في الأسقف والجدران والأرضيات. الاختراق المفاجئ يمكن أن يتسبب في إخلال توازنك!
- ◀ أثناء أعمال الثقب قم بتأمين النطاق الواقع على الجهة المقابلة للعمل. الشظايا المتناثرة يمكن أن تتطاير و/أو تسقط وتصيب الآخرين.
- ◀ احرص أنت والأشخاص المتواجدون في الجوار أثناء الاستخدام على ارتداء نظارة واقية ملائمة، خوذة حماية، واق للسمع وكمامة خفيفة للتنفس.
- ◀ قم بارتداء قفازا واقيا أثناء تغيير الأدوات. ملامسة أداة الشغل قد تؤدي لوقوع إصابات بجروح قطعية وإصابة بحروق.
- ◀ استخدم واقياً للعينين. الشظايا المتطايرة يمكن أن تصيب الجسم والعينين.
- ◀ يمكن أن يحتوي الغبار الناتج عن التجليخ والسنفرة والقطع والثقب على مواد كيميائية خطيرة. بعض الأمثلة: الرصاص أو الدهانات التي تحتوي على الرصاص، القرميد والخرسانة ومنتجات البناء الأخرى وأحجار البناء الطبيعية والمنتجات الأخرى المحتوية على السيليكات، بعض الأخشاب مثل البلوط والزنان والأخشاب المعالجة كيميائياً، الأسبستوس أو الخامات المحتوية على الأسبستوس. قم بتحديد مدى تعرض المستخدم والأشخاص المحيطين لفترة خطر الخامات التي يجري العمل عليها. اتخذ التدابير اللازمة للمفاض على مدى التعرض في مستوى آمن، على سبيل المثال، استخدام نظام تجميع الغبار أو ارتداء كمامة مناسبة للتنفس. تشمل التدابير العامة للحد من مدى التعرض ما يلي:
- ◀ العمل في نطاق جيد التهوية،
- ◀ تجنب ملامسة الغبار لفترة طويلة،
- ◀ إزالة الغبار عن الوجه والجسم،
- ◀ ارتداء بزة واقية وغسل المناطق المكشوفة بالماء والصابون.
- ◀ خذ قسطاً من الراحة بشكل متكرر وقم بتمارين استرخاء لسريان الدم في الأصابع بشكل أفضل. عند القيام بأعمال لفترات طويلة، فقد تحدث اضطرابات في الأوعية الدموية أو الجهاز العصبي بسبب كثرة الاهتزازات على الأصابع أو الأيدي أو المعصم اليد.

السلامة الكهربائية

- ◀ قبل بدء الأعمال افحص نطاق العمل من حيث وجود توصيلات كهربائية مدفونة أو مواسير للغاز والماء. الأجزاء المعدنية الخارجية بالمنتج يمكن أن تتسبب في صدمة كهربائية أو انفجار، إذا قمت بإتلاف إحدى توصيلات التيار أو ماسورة الغاز أو الماء.

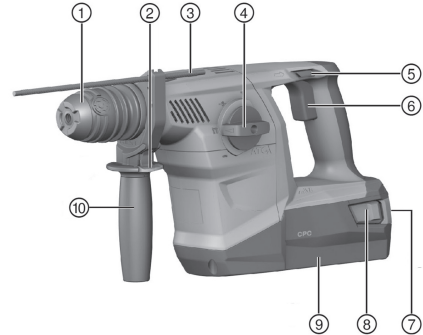
الاستخدام والتعامل بعناية مع الأدوات الكهربائية

- ◀ انتظر حتى يتوقف المنتج قبل تخزينه.



1.3 نظرة عامة على المنتج 1

- | | |
|---------------------------------------|---|
| ظرف تركيب الأدوات | ① |
| زر تحرير محدد العمق | ② |
| محدد عمق الثقب | ③ |
| مفتاح اختيار الوظيفة | ④ |
| مفتاح تحويل الدوران جهة اليمين/اليسار | ⑤ |
| مفتاح التحكم | ⑥ |
| بيان شحن/ بيان أخطاء البطارية | ⑦ |
| أزرار التحرير / تفعيل بيان حالة الشحن | ⑧ |
| البطارية | ⑨ |
| المقبض الجانبي | ⑩ |


2.3 الاستخدام المطابق للتعليمات

المنتج المشروح عبارة عن مطرقة متعددة الأغراض مشغلة بالبطارية ومزودة بطارق نيوماتيكي. وهو مخصص لأعمال الثقب في الخرسانة والجدران، الخشب والمعادن. علاوة على ذلك يمكن استخدام المنتج في الأعمال الخفيفة والمتوسطة التي يتم فيها استخدام الإزميل للنقر في الجدران والأعمال اللاصقة التي تتم على الخرسانة.

- اقتصر على استخدام بطاريات أيونات الليثيوم **Hilti** من النوع B 36 مع هذا المنتج.
- اقتصر على استخدام شواحن **Hilti** من الفئة C4/36 لهذه البطاريات.

3.3 الاستخدام الخاطئ المحتمل

- هذا المنتج غير مخصص للعمل مع الغامات الضارة بالصحة.
- هذا المنتج غير مناسب للعمل في البيئات الرطبة.

4.3 ATC

المنتج مزود بخاصية الإيقاف الإلكتروني السريع (ATC (Active Torque Control). في حالة إعاقة أداة الشغل أو انحصارها، فإن المنتج يدور بشكل مفاجئ على نمو غير محكوم في الاتجاه المعاكس. وتتعرف وظيفة ATC على هذه الحركة المفاجئة للدوران بالمنتج وتقوم بإيقاف المنتج على الفور.

يجب ألا يكون هناك عائق أمام دوران المنتج حتى يعمل بشكل سليم. بعد الإيقاف السريع، قم بإيقاف المنتج ثم أعد تشغيله.

5.3 حماية المحرك

المنتج مزود بوظيفة حماية المحرك. وهي تقوم بمراقبة استهلاك التيار الكهربائي وكذلك سخونة المحرك، وبذلك تحمي الجهاز من السخونة المفرطة.

تؤدي زيادة الحمل على الموتور بفعل الضغط الشديد لضعف قدرة الجهاز بشكل ملحوظ وقد يصل الأمر لتوقف الجهاز تماما.

في حالة توقف الجهاز أو انخفاض عدد اللفات من جراء التتميل الزائد، فإنه يجب عليك تخليص الجهاز من التتميل الزائد وتشغيله لمدة 30 ثانية تقريبا على عدد لفات الوضع الممايد.

6.3 بيان حالة بطارية أيونات الليثيوم

يتم الإشارة إلى حالة شحن بطارية أيونات الليثيوم واختلالات الجهاز عن طريق مابين بطارية أيونات الليثيوم. يتم عرض حالة شحن بطارية أيونات الليثيوم بعد النقر على أحد زرّي تحرير البطارية.

الحالة	الاستعمال
4 لمبات LED تضيء.	حالة الشحن: 75 % إلى 100 %



الحالة	الاستعمال
3 لمبات LED تضيء.	حالة الشحن: 50 % إلى 75 %
لمبتا LED تضيئان.	حالة الشحن: 25 % إلى 50 %
لمبة LED واحدة تضيء.	حالة الشحن: 10 % إلى 25 %
لمبة LED واحدة تومض.	حالة الشحن: > 10 %
تومض لمبة LED واحدة، الجهاز غير مستعد للتشغيل.	البطارية شديدة السخونة أو شمنتها فرغت تماما.
تومض أربع لمبات LED، الجهاز غير مستعد للتشغيل.	يوجد تحميل زائد على الجهاز أو الجهاز شديد السخونة.

i لا يمكن الاستعلاء عن حالة شحن البطارية عند الضغط على مفتاح التحكم أو مرور 5 ثوان من ترك مفتاح التحكم.

في حالة وميض لمبات LED الخاصة بمبين البطارية، يرجى مراعاة الإرشادات الواردة في فصل المساعدة في حالات الاختلالات.

7.3 مجموعة التجهيزات الموردة

الذقاق متعدد الأغراض، المقبض الجانبي مع مدد العمق، دليل الاستعمال.

i للتشغيل الآمن اقتصر على استخدام قطع الغيار الأصلية و خامات الشغل والملحقات المصممة بها من قبلنا للمنتج الخاص بك في مركز Hilti الذي تتعامل معه أو على موقع الإنترنت: www.hilti.com

4 المواصفات الفنية

1.4 المواصفات الفنية

TE 30-A36	
36 فلت	الجهد الكهربائي الاسمي
3.6 جول	طاقة الطرق الفردي طبقا لبروتوكول EPTA 05/2009
5.1 كجم	الوزن

2.4 قيم الضوضاء والاهتزاز طبقا للمواصفة EN 62841

تم قياس ضغط الصوت وقيم الاهتزاز الواردة في هذا الدليل طبقا لأحد معايير القياس المحددة ويمكن الاستعانة بها في إجراء مقارنة بين الأدوات الكهربائية مع بعضها البعض. وهي مناسبة أيضا لتقدير حجم المخاطر بصورة أولية.

المواصفات الواردة تتعلق بالاستخدامات الأساسية للأداة الكهربائية. أما إذا تم استخدام الأداة الكهربائية في تطبيقات أخرى مع أدوات شغل مخالفة للمواصفات أو دون صيانة كافية، ففي هذه الحالة قد تختلف المواصفات. وقد يزيد هذا من نسبة المخاطر طوال مدة العمل بصورة واضحة.

وللحصول على تقدير دقيق لحجم المخاطر ينبغي أيضا مراعاة الأوقات التي يتم فيها إيقاف الجهاز أو التي يتم فيها تشغيل الجهاز ولكن دون استخدام حقيقي. وقد يقلل هذا من نسبة المخاطر طوال مدة العمل بصورة واضحة. احرص على اتخاذ إجراءات إضافية للسلامة من شأنها حماية المستخدم من تأثير الضجيج و/أو الاهتزازات مثل: صيانة الأداة الكهربائية وأدوات الشغل والحفاظ على الأيدي في حالة دافئة وتنظيم مراحل العمل.

قيم الضجيج المنبعث

TE 30-A36	
103 ديسيبل	مستوى شدة الصوت (L_{WA})
92 ديسيبل	مستوى ضغط الصوت (L_{pA})
3 ديسيبل	نسبة تفاوت شدة الصوت / مستوى الصوت



TE 30-A36			
5 م/ثانية ²		الثقب في المعادن (a _{h, HD})	
10.3 م/ثانية ²	B 36/5.2	الثقب المطرق في الخرسانة (a _{n, HD})	
9.3 م/ثانية ²	B 36/9.0		
8.5 م/ثانية ²	B 36/5.2	النقر بالإزميل	
7.3 م/ثانية ²	B 36/9.0		
1.5 م/ثانية ²		نسبة التفاوت	

5 الاستعمال

1.5 التحضير للعمل

تحذير ⚠

خطر الإصابة من خلال التشغيل غير المقصود!

- تأكد قبل إدخال البطاريات أن الجهاز المختص مطفأ.
- اخلع البطارية قبل إجراء عمليات ضبط الجهاز أو تغيير أجزاء الملحقات التكميلية.

تراجع إرشادات الأمان والإرشادات التحذيرية الواردة في هذا المستند وعلى الجهاز.

1.1.5 تركيب البطارية 2

- قم بتركيب البطارية في حامل الجهاز إلى أن تثبت بصوت مسموع.
- تفحص البطارية من حيث ثباتها في موضعها بشكل جيد.

2.1.5 خلع البطارية 3

- اضغط على أزرار تحرير البطارية.
- اخلع البطارية بجذبا إلى الخلف.

3.1.5 شحن البطارية

تأكد أن الأسطح الخارجية للبطارية نظيفة وجافة قبل إدخال البطارية في الشاحن المصغر به. للقيام بعملية الشحن احرص على قراءة دليل استعمال الشاحن.

- قم بشحن البطارية باستخدام شاحن مصغر به.

4.1.5 تركيب المقبض الجانبي 4

احترس! ⚠

خطر الإصابة! فقدان السيطرة على المنتج.

- تأكد أن المقبض الجانبي مركب ومثبت بشكل سليم. تأكد من تواجد شريط الشد في الحز المخصص له بالمنتج.

- أدر المقبض لفة وسيلة تثبيت (شريط الشد) المقبض الجانبي.
- أدخل وسيلة التثبيت (شريط الشد) من الأمام عبر طرف تركيب الأدوات وصولاً إلى الحز المخصص لذلك.
- اضبط المقبض الجانبي في الوضع المرغوب.
- أدر المقبض لشد وسيلة تثبيت (شريط الشد) المقبض الجانبي.

5.1.5 ضبط محدد العمق (اختياري) 5

- اضغط بالمقبض الجانبي على زر التحرير.
- اضبط محدد عمق الثقب على عمق الثقب المرغوب.
- اترك زر التحرير.
- تأكد من إحكام تثبيت المقبض الجانبي.



6.1.5 فك طرف تركيب الأدوات 6

⚠️ احتس:

خطر الإصابة! إعاقة المستخدم من خلال التركيب، ولكن ليس من خلال محدد العمق المُستخدم. اخلع محدد العمق من المنتج.

i عند تغيير طرف تركيب الأدوات اختر وضع «النقر بالإزميل» في مفتاح اختيار الوظيفة **T**.

1. أخرج البطارية من الجهاز.
2. أمسك عبر طرف تركيب الأدوات واسحب حلقات القفل الثلاث إلى أعلى.
3. اخلع طرف تركيب الأدوات إلى أعلى.

7.1.5 تركيب طرف تركيب الأدوات 7

⚠️ احتس:

خطر الإصابة! إعاقة المستخدم من خلال التركيب، ولكن ليس من خلال محدد العمق المُستخدم. اخلع محدد العمق من المنتج.

i اختر في طرف تركيب /تغيير الأدوات في مفتاح اختيار الوظيفة هذا الرمز: **T**.

1. أخرج البطارية من الجهاز.
2. أمسك عبر طرف تركيب الأدوات واسحب حلقات القفل الثلاث إلى أعلى.
3. ضع طرف تركيب الأدوات على الحامل.
4. أدر طرف تركيب الأدوات إلى أن يثبت.

8.1.5 تركيب الأداة 8

1. قم بتزليق طرف إدخال أداة الشغل قليلاً.
 - ◀ اقتصر على استخدام الشحم الأصلي من Hilti. استخدام شحم خاطئ قد يلحق الضرر بالجهاز.
2. أدخل أداة الشغل في طرف تركيب الأدوات حتى النهاية واطبقها تثبت في موضعها.
3. بعد التركيب اختر مدى إحكام القفل من خلال شد الأداة.
 - ◀ المنتج جاهز للتشغيل.

9.1.5 إخراج الأداة 9

⚠️ احتس:

خطر الإصابة بسبب أداة الشغل! تكون أداة الشغل ساخنة وحادة الحواف. ارتد قفازات واقية عند تغيير أداة الشغل.

◀ قم بإرجاع وسيلة تأمين الأداة حتى النهاية وأخرج أداة الشغل.

2.5 العمل

⚠️ احتس:

خطر حدوث أضرار من خلال الاستعمال الخاطئ!
 ◀ لا تقم بالضغط على مفاتيح اتجاه الدوران و/أو اختيار الوظيفة أثناء التشغيل.


تراجع إرشادات الأمان والإرشادات التحذيرية الواردة في هذا المستند وعلى الجهاز.

1.2.5 مفتاح اختيار الوظيفة 1


- ◀ اضبط مفتاح اختيار الوظيفة على وضع العمل المرغوب..
- ◀ يجب عدم الضغط على مفتاح اختيار الوظيفة أثناء التشغيل. **خطر حدوث أضرار!**



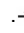
2.2.5 الثقب بدون طرق

- اضغط مفتاح اختيار الوظيفة على هذا الرمز: 


3.2.5 الثقب بالطرق (الثقب المطرقي)

- اضغط مفتاح اختيار الوظيفة على هذا الرمز: 

4.2.5 تحديد موضع الإزميل

- اضغط مفتاح اختيار الوظيفة على هذا الرمز: 
- يمكن ضبط الإزميل على 12 وضع مختلف (في خطوات مقدار كل منها 30 درجة). وبذلك يمكن دائما العمل بالإزميل المفلطح وإزميل التشكيل في وضع العمل المثالي المناسب.

5.2.5 النقر بالإزميل

- اضغط مفتاح اختيار الوظيفة على هذا الرمز: 

6.2.5 الدوران جهة اليمين/اليسار

- اضغط مفتاح التحويل يمينا/يسارا في اتجاه الدوران المرغوب.

6 العناية والصيانة



تحذير

خطر الإصابة عند تكون البطارية مركبة !

- احرص على خلع البطارية دائما قبل جميع أعمال الإصلاح والعناية!

العناية بالمنتج

- احرص على إزالة الاتساخات شديدة الالتصاق مع توخي الحرص.
- في حالة وجودها، قم بتنظيف فتحات التهوية بحرص باستخدام فرشاة جافة وناعمة.
- قم بتنظيف جسم المنتج باستخدام قطعة قماش مبللة بعض الشيء. لا تستخدم مواد عناية محتوية على سيليكون، نظراً لأنها قد تؤدي إلى تلف الأجزاء البلاستيكية.
- استخدم قطعة قماش نظيفة وجافة لتنظيف ملامسات المنتج.

العناية ببطاريات أيونات الليثيوم

- لا تقم مطلقاً باستخدام بطارية ذات فتحات تهوية مسدودة. قم بتنظيف فتحات التهوية بحرص باستخدام فرشاة جافة وناعمة.
- تجنب تعريض البطارية للغبار أو الاتساخات دون داع. لا تقم مطلقاً بتعريض البطارية للرطوبة المرتفعة (على سبيل المثال، غمرها في الماء أو تركها تحت الأمطار).
- في حالة بلل البطارية، تعامل معها كبطارية تالفة. اعزل البطارية في وعاء غير قابل للاشتعال وتوجه إلى مركز خدمة Hilti.
- حافظ على البطارية خالية من الزيت والشحم الخارجي. لا تسمح للغبار أو الاتساخات بالتراكم دون داع على البطارية. قم بتنظيف البطارية باستخدام فرشاة جافة وناعمة أو قطعة قماش نظيفة وجافة. لا تستخدم مواد عناية محتوية على سيليكون، نظراً لأنها قد تؤدي إلى تلف الأجزاء البلاستيكية.
- لا تلمس ملامسات البطارية ولا تقم بإزالة الشحم الموجود من قبل المصنع عن الملامسات.
- قم بتنظيف جسم المنتج باستخدام قطعة قماش مبللة بعض الشيء. لا تستخدم مواد عناية محتوية على سيليكون، نظراً لأنها قد تؤدي إلى تلف الأجزاء البلاستيكية.

الصيانة

- احرص بصورة منتظمة على فحص الأجزاء المرئية من حيث وجود أضرار وافحص عناصر الاستعمال من حيث كفاءتها الوظيفية.
- لا تقم بتشغيل الجهاز في حالة وجود أضرار وأ/أو اختلالات وظيفية. احرص على إصلاح الجهاز على وجه السرعة لدى خدمة Hilti.
- بعد أعمال العناية والإصلاح قم بتركيب جميع تجهيزات الحماية وافحصها من حيث الأداء الوظيفي السليم.

للتشغيل الآمن اقتصِر على استخدام قطع الغيار الأصلية وخامات الشغل. تجد قطع الغيار وخامات الشغل والملحقات المصريح بها من Hilti للمنتج الخاص بك في متجر Hilti Store أو على موقع الإنترنت:

www.hilti.group



النقل

⚠️ احترس:

التشغيل غير مقصود عند النقل !

◀ قم بنقل المنتج دائما بدون البطاريات!

- ◀ اخلع البطارية/البطاريات.
- ◀ لا تقم بنقل البطاريات بكميات كبيرة. ينبغي أثناء النقل حماية البطاريات من الاصطدام العنيف والاهتزازات، وكذلك عزلها عن أية مواد موصلة للكهرباء أو أية بطاريات أخرى، وذلك حتى لا تتلامس مع أقطاب بطاريات أخرى ومن ثم حدوث قفلة كهربائية. **احرص على مراعاة تعليمات النقل المحلية للبطاريات.**
- ◀ لا يجوز إرسال البطاريات عن طريق البريد. توجه إلى شركة شحن، إذا كنت ترغب في إرسال بطاريات غير تالفة.
- ◀ افحص المنتج والبطاريات من حيث وجود أضرار قبل كل استخدام وقبل وبعد النقل لمسافة طويلة.

التخزين

⚠️ تحذير

أضرار غير مقصودة بسبب البطاريات التالفة أو التي بها تسريب. !

◀ قم بتخزين المنتج دائما بدون البطاريات!

- ◀ احرص على تخزين المنتج والبطاريات في مكان بارد وجاف. احرص على مراعاة القيم الحدية لدرجات الحرارة الواردة في المواصفات الفنية.
- ◀ لا تحتفظ بالبطاريات على جهاز الشحن. قم دائما بإزالة البطارية من الشاحن بعد انتهاء عملية الشحن.
- ◀ لا تقم أبداً بتخزين البطاريات تحت أشعة الشمس أو في مصادر الحرارة أو خلف الزجاج.
- ◀ احرص على تخزين المنتج والبطاريات والاحتفاظ به بعيداً عن متناول الأطفال والأشخاص غير المصرح لهم .
- ◀ افحص المنتج والبطاريات من حيث وجود أضرار قبل كل استخدام وقبل وبعد التخزين لفترة طويلة.

8 المساعدة في حالات الاختلالات

عند حدوث اختلالات غير مذكورة في الجدول أو يتعدى عليك معالجتها بنفسك، فيرجى التوجه إلى مركز خدمة Hilti.

1.8 الدقائق متعدد الأغراض جاهز للعمل

الخلل	السبب المحتمل	الحل
شحنة البطارية تفرغ بشكل أسرع من المعتاد.	حالة البطارية ليست مثالية.	◀ قم بتغيير البطارية.
البطارية لا تثبت بصوت «طققة» مسموع.	أطراف تثبيت البطارية متسخة.	◀ قم بتنظيف أطراف التثبيت ثم قم بت تركيب البطارية مجدداً.
لا يمكن الضغط على مفتاح التحكم أو المفتاح مقل.	مفتاح تحويل الدوران جهة اليمين/اليسار في الوضع الأوسط.	◀ اضغط على مفتاح تحويل الدوران جهة اليمين/اليسار إلى اليمين أو اليسار.
بريمة الجهاز لا تدور.	تم تجاوز درجة حرارة التشغيل المسموع بها للوحدة الإلكترونية بالدقائق متعدد الأغراض.	◀ دع الدقائق متعدد الأغراض يبرد.
فراغ شحنة البطارية.	فراغ شحنة البطارية.	◀ قم بتغيير البطارية واشحن البطارية الفارغة.
الدقائق متعدد الأغراض يتوقف أوتوماتيكياً.	وسيلة الحماية من التحميل الزائد تقوم بعملها.	◀ اترك مفتاح التحكم. دع الدقائق متعدد الأغراض يبرد. اضغط مجدداً على مفتاح التحكم. قم بتخفيف الحمل عن الجهاز.
تنشأ سخونة شديدة بالدقائق متعدد الأغراض أو البطارية.	عطل كهربائي	◀ قم بإيقاف الدقائق متعدد الأغراض على الفور. قم بإخراج البطارية وافحصها جيداً. واتركها تبرد. اتصل بخدمة Hilti.



الخلل	السبب المحتمل	الحل
تنشأ سخونة شديدة بالدقاقات متعددة الأغراض أو البطارية.	تمميل زائد على الدقاقات متعددة الأغراض (تجاوز حد الاستخدام).	اختر جهازا مناسباً لمجال الاستخدام.
الأداة لا تتحرر من وضع إحكام التثبيت.	لم تقم بإرجاع ظرف تركيب الأدوات حتى النهاية.	قم بإرجاع وسيلة إحكام قفل الأداة حتى النهاية وأخرج الأداة.
ريشة الثقب لا تثقب.	الدقاقات متعددة الأغراض مضبوط على وضع الدوران جهة اليسار.	اجعل مفتاح تحويل الدوران جهة اليمين/اليسار على وضع الدوران جهة اليمين.

2.8 الدقاقات متعددة الأغراض غير جاهز للعمل

الخلل	السبب المحتمل	الحل
لمبات LED لا تشير لشيء.	لم يتم إدخال البطارية حتى النهاية.	قم بتثبيت البطارية حتى سماع صوت التثبيت.
	فراغ شحنة البطارية.	قم بتغيير البطارية واشحن البطارية الفارغة.
	البطارية ساخنة للغاية أو باردة للغاية.	اعمل على توفير درجة حرارة العمل الموصى بها للبطارية.
1 لمبة LED تومض.	فراغ شحنة البطارية.	قم بتغيير البطارية واشحن البطارية الفارغة.
	البطارية ساخنة للغاية أو باردة للغاية.	اعمل على توفير درجة حرارة العمل الموصى بها للبطارية.
4 لمبات LED تومض.	هناك تمميل زائد على الدقاقات متعددة الأغراض لفترة قصيرة.	أترك مفتاح التحكم واضغط عليه مجدداً.
	الحماية من السخونة المفرطة.	أترك الدقاقات متعددة الأغراض يبرد وقم بتنظيف فتحات التهوئة.

9 التكبين

أجهزة Hilti مصنوعة بنسبة كبيرة من مواد قابلة لإعادة التدوير. يشترط لإعادة التدوير أن يتم فصل الخامات بشكل سليم فنياً. في العديد من الدول تقوم شركة Hilti باستغلال الأجهزة القديمة لإعادة تدويرها. وللمعلومات حول ذلك اتصل بخدمة عملاء Hilti أو الموزع القريب منك.

لا تعلق الأدوات الكهربائية، الأجهزة الإلكترونية والبطاريات ضمن القمامة المنزلية!

10 ضمان الجبة الصانعة

في حالة وجود أية استفسارات بخصوص شروط الضمان، يرجى التوجه إلى وكيل Hilti المحلي التابع لك.



Originālā lietošanas instrukcija

1 Informācija par lietošanas instrukciju

1.1 Par šo lietošanas instrukciju

- Pirms ekspluatācijas sākšanas obligāti izlasiet šo lietošanas instrukciju. Tas ir priekšnoteikums darba drošībai un izstrādājuma lietošanai bez traucējumiem.
- Ievērojiet drošības norādījumus un brīdinājumus, kas atrodami šajā lietošanas instrukcijā un uz izstrādājuma.
- Vienmēr glabājiet lietošanas instrukciju izstrādājuma tuvumā un, nododot izstrādājumu citai personai, vienmēr dotiet līdzī šo lietošanas instrukciju.

1.2 Apzīmējumu skaidrojums

1.2.1 Brīdinājumi

Brīdinājumi pievērš uzmanību bīstamībai, kas pastāv, strādājot ar izstrādājumu. Tiek lietoti šādi signālvārdi:

BĪSTAMI!

BĪSTAMI!

- ▶ Pievērš uzmanību draudošām briesmām, kas var izraisīt smagus miesas bojājumus vai nāvi.

BRĪDINĀJUMS!

BRĪDINĀJUMS!

- ▶ Pievērš uzmanību iespējamam apdraudējumam, kas var izraisīt smagas traumas vai pat nāvi.






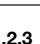
IEVĒROT PIESARDZĪBU!

UZMANĪBU!

- ▶ Norāda uz iespējami bīstamām situācijām, kas var izraisīt traumas vai materiālos zaudējumus.





1.2.2 Simboli lietošanas instrukcijā

Šajā lietošanas instrukcijā tiek izmantoti šādi simboli:

	Ievērojiet lietošanas instrukciju
	Norādījumi par lietošanu un cita noderīga informācija
	Rīcība ar atreiz pārstrādājamiem materiāliem
	Neizmetiet elektroiekārtas un akumulatorus sadzīves atkritumos.
	Hilti Litija jonu akumulators
	Hilti Lādētājs

1.2.3 Attēlos lietotie simboli

Attēlos tiek lietoti šādi simboli:

	Šie skaitļi norāda uz attiecīgajiem attēliem, kas atrodami šīs lietošanas instrukcijas sākumā.
	Numerācija attēlos norāda uz svarīgām darbībām vai detaļām, kas ir svarīgas noteiktām darbībām. Tekstā šīs darbības vai detaļas ir izceltas, apzīmējot ar atbilstošiem numuriem, piemēram, (3) .
	Pozīciju numuri tiek lietoti attēlā Pārskats un norāda uz leģendas numuriem sadaļā Izstrādājuma pārskats .
	Šī simbola uzdevums ir pievērst īpašu uzmanību izstrādājuma lietošanas laikā.



1.3 Simboli atkarībā no izstrādājuma

1.3.1 Simboli uz izstrādājuma

Uz izstrādājuma tiek lietoti šādi simboli:

	Urbšana bez triecienu funkcijas
	Urbšana ar triecienu funkciju (triecienuurbšana)
	Kalšana
	Kalta pozicionēšana
	Rotācija pa labi / rotācija pa kreisi
	Diametrs
	Nominālais apgriezienu skaits tukšgaitā
	Apgriezienu skaits minūtē
	Izstrādājums atbalsta bezvadu datu pārneši, kas ir saderīga ar iOS un Android platformām.
	Izmantotā Hilti litija jonu akumulatoru sērija. Ņemiet vērā informāciju, kas iekļauta nodaļā Nosacījumiem atbilstīga lietošana .
	Litija jonu akumulators
	Nekādā gadījumā nelietojiet akumulatoru kā triecienuinstrumentu.
	Sargājiet akumulatoru no kritieniem. Nelietojiet akumulatoru, ja tas ir bijis pakļauts triecienam vai tam ir radušies cita veida bojājumi.

1.4 Izstrādājuma informācija

HILTI izstrādājumi ir paredzēti profesionāliem lietotājiem, un to darbināšanu, apkopi un tehniskā stāvokļa uzturēšanu drīkst veikt tikai kvalificēts, atbilstīgi apmācīts personāls. Personālam ir jābūt labi informētam par iespējamajiem riskiem, kas var rasties darba laikā. Izstrādājums un tā papildaprīkojums var radīt bīstamas situācijas, ja to uztic neprofesionālam personālam vai nelieto atbilstīgi nosacījumiem.

Iekārtas tipa apzīmējums un sērijas numurs ir norādīti uz identifikācijas datu plāksnītes.

- Ierakstiet sērijas numuru zemāk redzamajā tabulā. Izstrādājuma dati jānorāda, vērsoties mūsu pārstāvnīcībā vai servisā.

Izstrādājuma dati

Kombinētais perforators	TE 30-A36
Paaudze	03
Sērijas Nr.	

1.5 Atbilstības deklarācija

Uzņemoties pilnu atbildību, mēs apliecinām, ka šeit aprakstītais izstrādājums atbilst šādām direktīvām un standartiem: Atbilstības deklarācijas attēls ir atrodams šīs dokumentācijas beigās.

Tehniskā dokumentācija ir saglabāta šeit:

Hilti Entwicklungsgesellschaft mbH | Zulassung Geräte | Hiltistraße 6 | 86916 Kaufering, DE

2 Drošība

2.1 Vispārīgi drošības norādījumi par darbu ar elektroiekārtām

⚠ BRĪDINĀJUMS! Iepazīstieties ar visiem drošības norādījumiem, instrukcijām, attēliem un tehniskajiem parametriem, kas attiecas uz šo elektroiekārtu. Turpmāk izklāstīto instrukciju neievērošana var izraisīt elektrošoku, ugunsgrēku un/vai nopietnas traumas.

Saglabājiet visus drošības norādījumus un instrukcijas turpmākai lietošanai.



Drošības norādījumos lietotais apzīmējums "elektroiekārta" attiecas uz iekārtām ar tīkla barošanu (ar barošanas kabeli) vai iekārtām ar barošanu no akumulatora (bez kabeļa).

Drošība darba vietā

- ▶ **Uzturiet darba vietā tīrību un kārtību un nodrošiniet labu apgaismojumu.** Nekārtīgā darba vietā vai sliktā apgaismojumā var viegli notikt nelaimes gadījums.
- ▶ **Nestrādājiet ar elektroiekārtu sprādzienbīstamā vidē, kur atrodas uzliesmojoši šķidrumi, gāzes vai putekļi.** Darbības laikā elektroiekārtas mēdz dzirkstēļot, un tas var izraisīt viegli uzliesmojošu putekļu vai tvaiku aizdegšanos.
- ▶ **Lietojot elektroiekārtu, neļaujiet nepiederošām personām un jo īpaši bērniem tuvoties darba vietai.** Citu personu klātbūtne var novērst uzmanību, un tā rezultātā jūs varat zaudēt kontroli pār iekārtu.

Elektrodrošība

- ▶ **Elektroiekārtas kontaktdakšai jāatbilst elektroīkla kontaktligzdai. Kontaktdakšas konstrukciju nedrīkst nekādā veidā mainīt. Kopā ar elektroiekārtām, kurām ir aizsargzemspēks, nedrīkst lietot adapteru spraudņus.** Neizmaiņātas konstrukcijas kontaktdakša, kas atbilst kontaktligzdai, ļauj samazināt elektrošoka risku.
- ▶ **Darba laikā nepieskarieties saņemtiem priekšmetiem, piemēram, caurulēm, radiatoriem, plītim vai ledusskapjiem.** Pieskaroties saņemtiem virsmām, pieaug risks saņemt elektrisko triecienu.
- ▶ **Nelietojiet elektroiekārtu lietus laikā, neturiet to mitrumā.** Mitrumam iekļūstot elektroiekārtā, pieaug risks saņemt elektrisko triecienu.
- ▶ **Nenesiet un nepakariniet elektroiekārtu aiz barošanas kabeļa un neraujiet aiz kabeļa, ja vēlaties atvienot iekārtu no elektroīkla kontaktligzdas. Sargājiet barošanas kabeli no karstuma, eļļas, asām šķautnēm vai kustīgām detaļām.** Bojāts vai sapīņķerējis barošanas kabelis var kļūt par cēloni elektrošokam.
- ▶ **Darbinot elektroiekārtu ārpus telpām, izmantojiet tās pievienošanai vienīgi tādus pagarinātāja-kabeļus, kas ir paredzēti lietošanai brīvā dabā.** Lietojot elektrokabeļus, kas ir piemērots darbam ārpus telpām, samazinās elektrošoka risks.
- ▶ **Ja elektroiekārtas izmantošana slapjā vidē ir obligāti nepieciešama, lietojiet bojājumstrāvas aizsargslēdzi.** Bojājumstrāvas aizsargslēdža lietošana samazina elektrošoka risku.

Personiskā drošība

- ▶ **Strādājiet ar elektroiekārtu uzmanīgi, darba laikā saglabājiet paškontroli un rīkojieties saskaņā ar veselo saprātu. Ar elektroiekārtu nedrīkst strādāt personas, kas ir nogurušas vai atrodas narkotiku, alkohola vai medikamentu ietekmē.** Mirklis neuzmanības, strādājot ar elektroiekārtu, var novest pie nopietnām traumām.
- ▶ **Izmantojiet individuālos aizsardzības līdzekļus un darba laikā vienmēr valkājiet aizsargbrilles.** Individuālo aizsardzības līdzekļu (putekļu aizsargmaskas, neslidošu apavu un aizsargķiveres vai ausu aizsargu) lietošana atbilstoši elektroiekārtas tipam un veicamā darba raksturam ļauj izvairīties no savainojumiem.
- ▶ **Nepieļaujiet iekārtas nekontrolētas ieslēgšanās iespēju. Pirms pievienošanas elektrotīklam, akumulatora ievietošanas, elektroiekārtas satveršanas vai pārvietošanas pārliecinieties, ka tā ir izslēgta.** Ja iekārtas pārvietošanas laikā pirksts atrodas uz slēdža vai ja ieslēgta iekārta tiek pievienota elektrotīklam, var notikt nelaimes gadījums.
- ▶ **Pirms elektroiekārtas ieslēgšanas jānoņem visi regulēšanas piederumi un uzgriežņu atslēgas.** Regulēšanas piederumi vai uzgriežņu atslēga, kas iekārtas ieslēgšanas brīdī atrodas iekārtā, var radīt traumas.
- ▶ **Izvairieties no nedabiskām pozām. Darba laikā vienmēr saglabājiet līdzsvaru un nodrošinieties pret paslīdēšanu.** Tas atvieglos elektroiekārtas vadību neparedzētās situācijās.
- ▶ **Izvēlieties darbam piemērotu apģērbu. Darba laikā nenēsājiet brīvi plandošas drēbes un rotaslietas. Netuviniet matus, apģērbu un aizsargcimdus iekārtas kustīgajām daļām.** Vaļīgas drēbes, rotaslietas un gari mati var ieķerties iekārtas kustīgajās daļās.
- ▶ **Ja elektroiekārtas konstrukcija ļauj pievienot putekļu nosūcšanas vai savākšanas ierīci, sekojiet, lai tā būtu pievienota un tiktu darbināta pareizi.** Putekļu nosūcēja lietošana samazina putekļu kaitīgo ietekmi.
- ▶ **Nezaudējiet modrību un neatkāpieties no elektroiekārtu lietošanas drošības noteikumu ievērošanas arī tad, ja lietojat attiecīgo elektroiekārtu bieži un kārtīgi to pārzināt.** Neuzmanība vienā sekundes daļā var novest pie smagām traumām.

Elektroiekārtas lietošana un apkope

- ▶ **Nepārslodojiet elektroiekārtu. Katram darbam izvēlieties piemērotu iekārtu.** Elektroiekārta darbosies labāk un drošāk pie nominālās slodzes.



- ▶ **Nelietojiet elektroiekārtu, ja ir bojāts tās slēdzis.** Elektroiekārta, ko nevar ieslēgt un izslēgt, ir bīstama un nekavējoties jānodod remontā.
- ▶ **Pirms iestatījumu veikšanas, aprikojuma daļu nomainās vai iekārtas novietošanas uzglabāšanā atvienojiet kontaktdakšu no elektrotīkla un/vai noņemiet noņemamo akumulatoru.** Šādi jūs novērsīsiet elektroiekārtas nejaušas ieslēgšanās risku.
- ▶ **Elektroiekārtu, kas netiek darbināta, uzglabājiet piemērotā vietā.** Neļaujiet lietot iekārtu personām, kas nav iepazīnušas ar tās funkcijām un izlasījušas šo lietošanas instrukciju. Ja elektroiekārtu lieto nekompetentas personas, tas var apdraudēt cilvēku veselību.
- ▶ **Rūpīgi veiciet elektroiekārtu un to piederumu apkopi.** Pārbaudiet, vai kustīgās daļas darbojas bez traucējumiem un neķeras un vai kāda no daļām nav salauzta vai bojāta un tādējādi netraucē elektroiekārtas nevainojamu darbību. Raugieties, lai pirms iekārtas lietošanas tiktu nomainītas vai saremontētas bojātās daļas. Daudzi nelaimes gadījumi notiek tāpēc, ka elektroiekārtām nav nodrošināta pareiza apkope.
- ▶ **Griezējinstrumentiem vienmēr jābūt uzasinātiem un tīriem.** Rūpīgi kopti griezējinstrumenti ar asām šķautnēm retāk iestrēgst un ir vieglāk vadāmi.
- ▶ **Lietojiet elektroiekārtu, piederumus, maināmos instrumentus utt. saskaņā ar šiem norādījumiem.** Jāņem vērā arī konkrētie darba apstākļi un veicamās operācijas īpatnības. Elektroiekārtu lietošana citiem mērķiem, nekā to ir paredzējis ražotājfirma, ir bīstama un var izraisīt neparedzamas sekas.
- ▶ **Raugieties, lai rokturu un satveršanas virsmas būtu sausas, tīras, nenotraipītas ar eļļu un smērvielām.** Ja rokturu vai satveršanas virsmas ir slidenas, nav iespējama droša elektroiekārtas vadība un kontrole neparedzamās situācijās.

Ar akumulatoru darbināmas iekārtas lietošana un apkope

- ▶ **Akumulatora uzlādei jālieto tikai ražotāja ieteiktie lādētāji.** Noteikta veida akumulatoriem paredzēts lādētājs kļūst ugunsbīstams, ja to izmanto ar cita veida akumulatoriem.
- ▶ **Izmantojiet elektroiekārtas barošanai tikai tai paredzētos akumulatorus.** Cita tipa akumulatoru lietošana var izraisīt iekārtas un/vai akumulatora aizdegšanos.
- ▶ **Laikā, kad akumulators ir atvienots no iekārtas, nepieļaujiet tā kontaktu saskaršanos ar saspraudēm, monētām, atslēgām, naglām, skrūvēm vai citiem nelieļiem metāla priekšmetiem, kas varētu izraisīt īssavienojumu.** Ja starp akumulatora kontaktiem rodas īssavienojums, tas var sadegt vai kļūt par ugunsgrēka cēloni.
- ▶ **Nepareizi lietojot akumulatoru, no tā var izplūst šķidrums.** Nepieļaujiet tā nokļūšanu uz ādas. Ja tas tomēr nejausi ir noticis, noskalojiet ar ūdeni. Ja šķidrums iekļūst acīs, izskalojiet acis un nekavējoties vērsieties pie ārsta. No akumulatora izplūdušais šķidrums var izraisīt ādas kairinājumu vai apdegumus.
- ▶ **Nelietojiet bojātus vai modificētus akumulatorus.** Bojāti vai modificēti akumulatori var radīt neparedzamas situācijas un izraisīt ugunsgrēku, eksploziju vai traumas.
- ▶ **Nepakļaujiet akumulatoru uguns vai augstas temperatūras iedarbībai.** Uguns vai temperatūra virs 130 °C (265 °F) var izraisīt eksploziju.
- ▶ **Ievērojiet norādījumus par akumulatora lādēšanu un nekad nelādējiet akumulatoru vai ar akumulatoru darbināmo iekārtu ārpus lietošanas instrukcijā norādītā temperatūras diapazona.** Nepareiza lādēšana vai pieļaujamā temperatūras diapazona pārsniegšana var sabojāt akumulatoru un palielināt aizdegšanās risku.

Serviss

- ▶ **Uzdodiet elektroiekārtas remontu veikt tikai kvalificētam personālam, kas izmanto vienīgi oriģinālās rezerves daļas.** Tikai tā ir iespējams saglabāt iekārtas funkcionālo drošību.
- ▶ **Nekādā gadījumā neveiciet bojātu akumulatoru apkopi.** Jebkādus akumulatoru apkopes darbus drīkst veikt tikai ražotājs vai atbilstīgi pilnvarots klientu apkalpošanas dienests.

2.2 Drošības noteikumi darbam ar perforatoriem

Drošības norādījumi visiem darbiem

- ▶ **Lietojiet dzirdes aizsargapriekojumu.** Trokšņa iedarbība var izraisīt dzirdes zudumu.
- ▶ **Lietojiet kopā ar iekārtu piegādātos papildu rokturus.** Kontroles zudums var kļūt par cēloni traumām.
- ▶ **Ja darba laikā pastāv iespēja, ka instruments var nonākt saskarē ar apslēptiem elektriskajiem vadiem, vienmēr satveriet iekārtu aiz izolētajām rokturu virsmām.** Saskaroties ar spriegumam pieslēgtiem vadiem, spriegums tiek novadīts uz iekārtas metāla daļām, radot elektrošoka risku.

Drošības norādījumi darbam ar gariem urbjiem

- ▶ **Vienmēr sāciet urbšanas procesu ar mazāku apgriezību skaitu un tikai tad, kad urbis atrodas saskarē ar apstrādājamo materiālu.** Lielāka rotācijas ātruma gadījumā urbis, griežoties bez saskares ar apstrādājamo materiālu, var viegli saliekties un izraisīt traumas.



- ▶ **Nespiediet urbi ar pārāk lielu spēku un raugieties, lai spiediens tiktu izdarīts tikai urbjā aksiālajā virzienā.** Urbjī var viegli saliekties un salūzt vai izraisīt kontroles zudumu un traumas.

2.3 Papildnorādījumi par atskaldāmā āmura drošību

Personīgā drošība

- ▶ Lietojiet izstrādājumu un tā papildaprīkojumu tikai tad, ja tas ir nevainojamā stāvoklī.
- ▶ Nekādā gadījumā nemēģiniet ietekmēt izstrādājuma vai tā papildaprīkojuma funkcijas vai to pārveidot.
- ▶ Veicot kalšanu griestos, sienās un grīdās, ieņemiet drošu un stabilu pozu. Pēkšņa konstrukcijas caurkalšana var izraisīt līdzsvara zudumu!
- ▶ Pirms laušanas vai urbšanas darbiem, kas šķērso celtnes daļas, atbilstoši jānodrošina attiecīgās celtnes daļas pretējā puse. Atlūzuši materiāla fragmenti var izkrist caur atveri un/vai nokrist un savainot cilvēkus.
- ▶ Iekārtas lietotājam un tuvumā esošajām personām iekārtas lietošanas laikā jāvalkā piemērotas aizsargbrilles, aizsargķivere, dzirdes aizsarglīdzekļi un viegls elpceļu aizsardzības aprīkojums.
- ▶ Instrumenta nomaiņas laikā valkājiet aizsargcimdus. Saskare ar maināmo instrumentu var izraisīt grieztas traumas un apdegumus.
- ▶ Valkājiet aizsargbrilles vai masku. Materiāla šķembas var savainot ķermeni un acis.
- ▶ Putekļi, kas rodas slīpēšanas, griešanas un urbšanas laikā, var saturēt bīstamas ķimikālijas. Daži piemēri: svins vai krāsas uz svina bāzes; ķieģeļi, betons un citi mūra materiāli, dabīgais akmens un citi silikātus saturoši produkti; noteiktu veidu koksne, piemēram, skābardis, ozols un ķīmiska apstrādāta koksne; azbests vai azbestu saturoši materiāli. Nosakiet ekspozīcijas līmeni, kam pakļauts iekārtas lietotājs un tuvumā esošās personas, vadoties pēc apstrādājamo materiālu bīstamības kategorijas. Veiciet nepieciešamos pasākumus, lai ekspozīcija nesasniegtu kaitīgu līmeni, piemēram, lietojiet putekļu nosūkšanas sistēmu vai piemērotus elpceļu aizsardzības līdzekļus. Vispārīgie ekspozīcijas ierobežošanas pasākumi ir šādi:
 - ▶ darbs labi vēdināmās vietās,
 - ▶ izvairīšanās no ilgstošas saskares ar putekļiem,
 - ▶ putekļu novirzīšana projām no sejas un ķermeņa,
 - ▶ aizsargapģērba valkāšana un savārtītā apģērba mazgāšana ar ūdeni un ziepēm.
- ▶ Biežāk pārtrauciet darbu un izpildiet pirkstu vingrinājumus, kas uzlabo asinsriti. Ilgstoša darba gadījumā spēcīga vibrācija var radīt traucējumus pirkstu, roku vai plaukstu locītavu asinsvadu un nervu sistēmas funkcijās.

Elektrodrošība

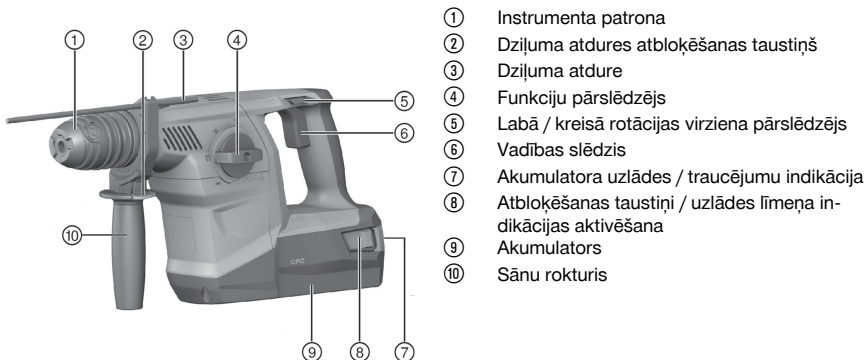
- ▶ Pirms darba sākšanas pārbaudiet, vai darba zonā neatrodas neseģti elektrības vadi, gāzes vai ūdensapgādes caurules. Iekārtas ārējās metāla daļas var izraisīt elektriskās strāvas triecienu vai izraisīt eksploziju, ja darba laikā tiek bojāti elektriskie vadi, gāzes vai ūdens caurules.

Rūpīga elektroiekārtu lietošana un apkope

- ▶ Pirms novietot izstrādājumu, nogaidiet, līdz pilnībā apstājas tā kustība.

3 Apraksts

3.1 Izstrādājuma pārskats 1



3.2 Nosacījumiem atbilstīga lietošana

Aprakstītais izstrādājums ir kombinētais perforators ar pneimatisku trieciena mehānismu un akumulatora barošanu. Tas ir paredzēts urbšanai betonā, mūrī, kokā un metālā. Bez tam šo izstrādājumu var lietot arī viegliem līdz vidēji smagiem kalšanas darbiem mūrī un betona virsmu apstrādei.

- ▶ Lietojiet šī izstrādājuma barošanai tikai sērijas B 36 **Hilti** litija jonu akumulatorus.
- ▶ Lietojiet šo akumulatoru uzlādēšanai tikai **Hilti** sērijas C4/36 lādētājus.

3.3 Varbūtēja nepareiza lietošana

- Šis izstrādājums nav paredzēts veselībai bīstamu materiālu apstrādāšanai.
- Šis izstrādājums nav paredzēts darbam slapjā vidē.

3.4 ATC

Izstrādājums ir aprīkots ar elektronisku paātrinātas izslēgšanās funkciju ATC (Active Torque Control). Ja darba instruments nobloķējas vai iestrēgst, izstrādājums pēkšņi un nekontrolēti pagriežas pretējā virzienā. ATC identificē šo pēkšņo pagrieziena kustību un nekavējoties izslēdz izstrādājumu.



Lai izstrādājums darbotos nevainojami, nedrīkst būt traucēta tā rotācija. Pēc izstrādājuma paātrinātas izslēgšanās izslēdziet un vēlreiz ieslēdziet to.

3.5 Motora aizsardzība

Izstrādājums ir aprīkots ar motora aizsardzības funkciju. Tā kontrolē ieejas strāvu, kā arī motora temperatūru un pasargā iekārtu no pārkaršanas.

Ja pārāk liela piespiešanas spēka rezultātā notiek motora pārslodze, motora jauda ievērojami samazinās vai iekārtas darbība apstājas pilnībā.

Ja pārslodzes dēļ apstājas iekārtas darbība vai samazinās apgriezīgu skaitu, atbrīvojiet iekārtu no slodzes un apmēram 30 sekundes darbiniet to ar tukšgaitas apgriezieniem.

3.6 Litija jonu akumulatora indikācija

Par litija jonu akumulatora uzlādes līmeni un iekārtas darbības traucējumiem informē litija jonu akumulatora indikācija. Litija jonu akumulatora uzlādes līmeni iespējams apskatīties, īsi nospiežot vienu no akumulatora atbloķēšanas taustiņiem.

Stavuss	Nozīme
Deg 4 LED.	Uzlādes līmenis: no 75 % līdz 100 %
Deg 3 LED.	Uzlādes līmenis: no 50 % līdz 75 %
Deg 2 LED.	Uzlādes līmenis: no 25 % līdz 50 %
1 LED deg.	Uzlādes līmenis: no 10 % līdz 25 %
1 LED mirgo.	Uzlādes līmenis: < 10 %
1 LED mirgo, iekārta nav gatava darbam.	Akumulators ir pārkaris vai pilnībā izlādējies.
4 LED mirgo, iekārta nav gatava darbam.	Iekārta ir pārslogota vai pārkarusi.



Ja ir nospiests vadības slēdzis, kā arī 5 sekunžu laikā pēc vadības slēdža atlaišanas nolasīt uzlādes līmeņa indikāciju nav iespējams.

Ja mirgo akumulatora indikācijas LED, lūdzu, sekojiet nodaļas "Traucējumu diagnostika" norādījumiem.

3.7 Piegādes komplektācija

Kombinētais perforators, sānu rokturis ar dziļuma atduri, lietošanas instrukcija.



Lai iekārtas lietošana būtu droša, izmantojiet tikai oriģinālās rezerves daļas un patēriņa materiālus. Rezerves daļas un patēriņa materiālus, kuru lietošanu kopā ar šo iekārtu mēs akceptējam, var atrast **Hilti** servisa centrā vai tīmekļvietnē www.hilti.com.



4 Tehniskie parametri

4.1 Tehniskie parametri

	TE 30-A36
Nominālais spriegums	36 V
Atsevišķu triecienu enerģija saskaņā ar EPTA procedūru 05/2009	3,6 J
Svars	5,1 kg

4.2 Informācija par troksni un vibrāciju saskaņā ar EN 62841

Šajās instrukcijās norādītie lielumi, kas raksturo skaņas spiedienu un vibrāciju, ir noteikti ar standartizētas mērījumu metodes palīdzību, un tos var izmantot elektroiekārtu savstarpējai salīdzināšanai. Tos var izmantot arī trokšņa un vibrācijas iedarbības pagaidu novērtējumam.

Norādītie parametri attiecas uz elektroiekārtas galvenajiem lietošanas veidiem. Taču, ja elektroiekārta tiek izmantota citos nolūkos, ar citiem maināmajiem instrumentiem vai netiek nodrošināta pietiekama tās apkope, parametri var atšķirties no norādītajiem. Tas var ievērojami palielināt trokšņa un vibrācijas iedarbību visā darba laikā.

Lai precīzi novērtētu iedarbību, jāņem vērā arī laiks, cik ilgi elektroiekārta ir izslēgta vai ir ieslēgta, taču faktiski netiek darbināta. Tas var būtiski samazināt iedarbību kopējā darba laikā.

Jāparedz papildu drošības pasākumi, lai aizsargātu iekārtas lietotāju pret trokšņa un/vai vibrācijas iedarbību, piemēram, elektroiekārtas un apkope, roku turēšana siltumā, darba procesu organizācija.

Skaņas emisijas rādītāji

	TE 30-A36
Skaņas jaudas līmenis (L_{WA})	103 dB
Skaņas spiediena līmenis (L_{pA})	92 dB
Skaņas jaudas / skaņas līmeņa pīelaide	3 dB

Kopējie vibrācijas rādītāji

	TE 30-A36	
Urbšana metālā ($a_{h, HD}$)	5 m/s ²	
Triecienuurbšana betonā ($a_{h, HD}$)	B 36/5.2	10,3 m/s ²
	B 36/9.0	9,3 m/s ²
Kalšana	B 36/5.2	8,5 m/s ²
	B 36/9.0	7,3 m/s ²
Iespējamā kļūda	1,5 m/s ²	

5 Lietošana

5.1 Sagatavošanās darbam

BRĪDINĀJUMS!

Traumu risks nejaušas iedarbošanās gadījumā!

- ▶ Pirms akumulatora ievietošanas pārliecinieties, ka attiecīgais izstrādājums ir izslēgts.
- ▶ Pirms iekārtas iestāšanās vai piederumu maiņas izņemiet no iekārtas akumulatoru.

Ievērojiet drošības norādījumus un brīdinājumus, kas atrodami šajā dokumentācijā un uz izstrādājuma.

5.1.1 Akumulatora ievietošana

1. Ievietojiet akumulatoru iekārtas stiprinājumā, līdz tas dzirdami noklīkst.
2. Pārbaudiet, vai akumulators ir droši noklīkstējis.

5.1.2 Akumulatora izņemšana

1. Nospiediet akumulatora atbloķēšanas taustiņus.
2. Izvelciet akumulatoru virzienā uz aizmuguri.



5.1.3 Akumulatora uzlādēšana



Pirms akumulatora ievietošanas atbilstīgā lādētājā pārliecinieties, vai akumulatora virsmas ir tīras un sausas.

Norādījumus par lādēšanas procesu meklējiet lādētāja lietošanas instrukcijā.

- ▶ Veiciet akumulatora uzlādi atbilstīgā lādētājā.

5.1.4 Sānu roktura montāža



IEVĒROT PIESARDZĪBU!

Traumu risks! Risks zaudēt kontroli pār izstrādājumu.

- ▶ Pārliecinieties, vai sānu rokturis ir piemontēts pareizi un kārtīgi nostiprināts. Raugieties, lai fiksācijas saite vienmēr atrastos tai paredzētajā izstrādājuma rievā.

1. Pagrieziet rokturi, lai atbrīvotu sānu roktura turētāju (fiksācijas lenti).
2. No priekšpuses uzbīdīet turētāju (fiksācijas lenti) pāri instrumenta patronai līdz tam paredzētajai rievai.
3. Novietojiet sānu rokturi nepieciešamajā pozīcijā.
4. Pagrieziet rokturi, lai nospriegotu sānu roktura turētāju (fiksācijas lenti).

5.1.5 Dziļuma atdures iestatīšana (opcija)

1. Nospiediet atbloķēšanas taustiņu pie sānu roktura.
2. Noregulējiet dziļuma atduri atbilstoši vēlamajam urbama dziļumam.
3. Atlaidiet atbloķēšanas taustiņu.
4. Pārbaudiet, vai sānu rokturis ir kārtīgi nofiksēts.

5.1.6 Instrumenta patronas demontāža



IEVĒROT PIESARDZĪBU!

Traumu risks! Dziļuma atdure traucē lietotājam, ja tā ir piemontēta, taču netiek izmantota.

- ▶ Noņemiet no iekārtas dziļuma atduri.



Pirms instrumenta maiņas iestatiet funkciju pārslēdzēju pozīcijā "Kalšana" **T**.

1. Izņemiet akumulatorus no iekārtas.
2. Aptveriet instrumenta patronu un pavelciet 3 bloķēšanas gredzenus uz augšu.
3. Virzienā uz augšu noņemiet instrumenta patronu.

5.1.7 Instrumenta patronas montāža



IEVĒROT PIESARDZĪBU!

Traumu risks! Dziļuma atdure traucē lietotājam, ja tā ir piemontēta, taču netiek izmantota.

- ▶ Noņemiet no iekārtas dziļuma atduri.



Pirms instrumenta ievietošanas / maiņas iestatiet funkciju pārslēdzēju pret šādu simbolu: **T**.

1. Izņemiet akumulatorus no iekārtas.
2. Aptveriet instrumenta patronu un pavelciet 3 bloķēšanas gredzenus uz augšu.
3. Izvelciet instrumenta patronu no stiprinājuma.
4. Pagrieziet instrumenta patronu, līdz tā nofiksējas.

5.1.8 Instrumenta ievietošana

1. Viegli ieziēdīet maināma instrumenta galu ar smērvielu.
 - ▶ Lietojiet tikai oriģinālās **Hilti** smērvielas. Neatbilstīgas smērvielas var izraisīt iekārtas bojājumus.
2. Līdz galam ievietojiet maināmo instrumentu patronā un ļaujiet tam nofiksēties.



3. Pēc instrumenta ievietošanas pavelciet to, lai pārbaudītu, vai tas ir droši nofiksēts.
- ▶ Izstrādājums ir gatavs lietošanai.

5.1.9 Instrumenta izņemšana

IEVĒROT PIESARDZĪBU!

Traumu risks, ko rada darba instruments! Maināmais instruments var būt karsts vai ar asām malām.

- ▶ Darba instrumenta nomainīšanas laikā valkājiet aizsargcimdus.
- ▶ Līdz galam atvelciet maināmā darba instrumenta fiksācijas patronu un izņemiet instrumentu.

5.2 Darbs

IEVĒROT PIESARDZĪBU!

Bojājumu risks nepareizas lietošanas gadījumā!

- ▶ Nepārslēdziet rotācijas virziena un/vai funkciju izvēles slēdzi laikā, kad iekārta darbojas.

Ievērojiet drošības norādījumus un brīdinājumus, kas atrodami šajā dokumentācijā un uz izstrādājuma.

5.2.1 Funkciju pārslēdzējs

- ▶ Iestatiet funkciju pārslēdzēju nepieciešamajā darba pozīcijā.
 - ▶ Funkciju pārslēdzēju nedrīkst pārslēgt iekārtas darbības laikā. **Bojājumu risks!**

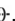
5.2.2 Urbšana bez triecienu funkcijas

- ▶ Iestatiet funkciju pārslēdzēju šādā pozīcijā: .

5.2.3 Urbšana ar triecienu funkciju (perforācija)

- ▶ Iestatiet funkciju pārslēdzēju šādā pozīcijā: .

5.2.4 Kalta pozicionēšana

- ▶ Iestatiet funkciju pārslēdzēju šādā pozīcijā: 
 - ▶ Kaltu iespējams novietot 12 dažādās pozīcijās (ar 30° soli). Pateicoties tam, ar plakano kaltu un profila kaltu vienmēr var strādāt optimālā darba pozīcijā.

5.2.5 Kalšana

- ▶ Iestatiet funkciju izvēles slēdzi uz šādu simbolu: .

5.2.6 Rotācija pa labi / rotācija pa kreisi

- ▶ Iestatiet labā / kreisā rotācijas virziena pārslēdzēju atbilstīgi nepieciešamajam rotācijas virzienam.

6 Apkope un uzturēšana

BRĪDINĀJUMS!

Traumu risks ievietota akumulatora gadījumā !

- ▶ Pirms jebkādiem apkopes un tehniskā stāvokļa uzturēšanas darbiem vienmēr izņemiet akumulatoru!

Izstrādājuma kopšana

- Uzmanīgi notīriet pielipušos netīrumus.
- Ja izstrādājumam ir ventilācijas atveres, uzmanīgi iztīriet tās ar sausu, mīkstu birstīti.
- Notīriet korpusa virsmas tikai ar nedaudz samitrinātu drāniņu. Nelietojiet silikonu saturošus kopšanas līdzekļus, jo tie var sabojāt plastmasas daļas.
- Izstrādājuma kontaktu tīrīšanai lietojiet tīru un sausu drāniņu.

Litija jonu akumulatoru apkope

- Nekādā gadījumā nelietojiet akumulatoru ar nosprostotām ventilācijas atverēm. Uzmanīgi iztīriet ventilācijas atveres ar sausu, mīkstu birstīti.



- Nepakļaujiet akumulatoru nevajadzīgai putekļu vai netīrumu ietekmei. Nekādā gadījumā nepakļaujiet akumulatoru spēcīgam mitrumam (piemēram, nemērciet to ūdenī un neatstājiet lietū).
Ja akumulators ir samircis, rīkojieties ar to tāpat, kā jūs rīkotos ar bojātu akumulatoru. Ievietojiet to izolētā nedegoša materiāla tvertnē un vērsieties **Hilti** servisā.
- Raugieties, lai akumulators nebūtu savārtīts ar nepiederīgu eļļu un smērvielām. Raugieties, lai uz akumulatora nevajadzīgi neuzkrātos putekļi un netīrumi. Notīriet akumulatoru ar sausu, mīkstu birstīti vai tīru un sausu drāniņu. Nelietojiet silikonu saturošus kopšanas līdzekļus, jo tie var sabojāt plastmasas daļas.
Nepieskarieties akumulatora kontaktiem un neattīriet kontaktus no rūpnīcā uzklātās smērvielas.
- Notīriet korpusa virsmas tikai ar nedaudz samitrinātu drāniņu. Nelietojiet silikonu saturošus kopšanas līdzekļus, jo tie var sabojāt plastmasas daļas.

Uzturēšana

- Regulāri pārbaudiet visas redzamās daļas, lai pārliecinātos, ka tās nav bojātas un funkcionē nevainojami.
- Nelietojiet izstrādājumu, ja tam ir radušies bojājumi un/vai funkciju traucējumi. Nekavējoties nododiet izstrādājumu **Hilti** servisā remonta veikšanai.
- Pēc apkopes un remonta darbiem piemontējiet vietā visas aizsargierīces un pārbaudiet, vai tās darbojas nevainojami.



Lai izstrādājuma lietošana būtu droša, izmantojiet tikai oriģinālās rezerves daļas un patēriņa materiālus. Rezerves daļas, patēriņa materiālus un piederumus, kuru lietošanu kopā ar šo izstrādājumu akceptē **Hilti**, var atrast **Hilti Store** vai tīmekļvietnē: www.hilti.group

7 Iekārtu un akumulatoru transportēšana un uzglabāšana

Transportēšana

IEVĒROT PIESARDZĪBU!

Nekontrolēta iedarbošanās transportēšanas laikā !

- ▶ Pirms iekārtu transportēšanas vienmēr izņemiet no tām akumulatorus!
- ▶ Izņemiet akumulatoru / akumulatorus.
- ▶ Nekādā gadījumā netransportējiet akumulatorus nenostiprinātā veidā, sabērtus kaudzē. Transportēšanas laikā akumulatori jāsaugā no triecieniem un vibrācijas, kā arī jāizolē no jebkādiem materiāliem, kam piemīt elektriskā vadītspēja, un citiem akumulatoriem, lai nepieļautu to nonākšanu saskarē ar citu bateriju kontaktiem un īssavienojuma rašanos. **Ievērojiet vatiējos noteikumus par akumulatoru transportēšanu.**
- ▶ Akumulatorus nedrīkst sūtīt pa pastu. Ja vēlaties nosūtīt nebojātus akumulatorus, vērsieties sūtījumu piegādes uzņēmumā.
- ▶ Pirms katras lietošanas, kā arī pēc ilgākas transportēšanas pārbaudiet, vai izstrādājums un akumulatori nav bojāti.

Uzglabāšana

BRĪDINĀJUMS!

Neparedzami bojājumi bojātu vai izplūdušu akumulatoru dēļ !

- ▶ Pirms iekārtu novietošanas glabāšanā vienmēr izņemiet no tām akumulatorus!
- ▶ Glabājiet izstrādājumu un akumulatorus vēsā un sausā vietā. Ievērojiet temperatūras robežvērtības, kas norādītas tehnisko parametru sadaļā.
- ▶ Neglabājiet akumulatorus uz lādētāja. Pēc uzlādes procesa vienmēr noņemiet akumulatoru no lādētāja.
- ▶ Nekad neglabājiet akumulatorus saulē, uz siltuma avotiem vai aiz stikla.
- ▶ Glabājiet izstrādājumu un akumulatorus tā, lai tiem nevarētu piekļūt bērni un nepiederošas personas.
- ▶ Pirms katras lietošanas, kā arī pēc ilgākas uzglabāšanas pārbaudiet, vai izstrādājums un akumulatori nav bojāti.

8 Traucējumu novēršana

Ja iekārtas darbībā ir radušies traucējumi, kas nav uzskaitīti šajā tabulā vai ko jums neizdodas novērst saviem spēkiem, lūdzu, meklējiet palīdzību mūsu **Hilti** servisā.



8.1 Kombinētais perforators ir gatavs darbam

Traucējums	Iespējamais iemesls	Risinājums
Akumulators izlādējas ātrāk nekā parasti.	Akumulatora stāvoklis nav optimāls.	► Nomainiet akumulatoru.
Akumulators nenofiksējas ar sadzirdamu klikšķi.	Netīri akumulatora fiksācijas izciļņi.	► Notīriet fiksācijas izciļņus un nofiksējiet akumulatoru no jauna.
Vadības slēdzi nav iespējams nospiegt, respektīvi, tas ir nobloķēts.	Labā / kreisā rotācijas virziena slēdzis vidējā pozīcijā.	► Pārvietojiet labā / kreisā rotācijas virziena pārslēdzēju pa labi vai pa kreisi.
Iekārtas vārpsta negriežas.	Pārsniegta kombinētā perforatora elektronikas pieļaujamā darba temperatūra.	► Ļaujiet kombinētajam perforatoram atdzist.
	Akumulators ir izlādējies.	► Nomainiet akumulatoru un uzlādējiet tukšo akumulatoru.
Kombinētais perforators automātiski izslēdzas.	Neiedarbojas aizsardzība pret pārslodzi.	► Atlaidiet vadības slēdzi. Ļaujiet kombinētajam perforatoram atdzist. Vēlreiz nospiediet vadības slēdzi. Samaziniet iekārtas slodzi.
Kombinētais perforators vai akumulators spēcīgi sakarst.	Elektrisks defekts.	► Nekavējoties izslēdziet kombinēto perforatoru. Izņemiet akumulatoru un vērojiet to. Ļaujiet tam atdzist. Vērsieties Hilti servisā.
	Kombinētais perforators ir pārslogots (pārsniegtas ekspluatācijas robežas).	► Izvēlieties veicamajam darbam atbilstīgu iekārtu.
Instrumentu nevar atbrīvot no fiksācijas.	Patronas fiksācija nav pilnībā atvilkta atpakaļ.	► Līdz galam atvelciet instrumenta fiksācijas patronu un izņemiet instrumentu.
Urbis neurbj materiālu.	Kombinētais perforators pārslēgts uz kreiso rotācijas virzienu.	► Labā / kreisā rotācijas virziena pārslēgšana uz labo.

8.2 Kombinētais perforators nedarbojas

Traucējums	Iespējamais iemesls	Risinājums
LED indikācijas nav.	Akumulators nav pilnībā iebīdīts.	► Nofiksējiet akumulatoru ar sadzirdamu klikšķi.
	Akumulators ir izlādējies.	► Nomainiet akumulatoru un uzlādējiet tukšo akumulatoru.
	Akumulators ir pārāk auksts vai pārāk karsts.	► Nodrošiniet ieteicamo akumulatora darba temperatūru.
1 LED mirgo.	Akumulators ir izlādējies.	► Nomainiet akumulatoru un uzlādējiet tukšo akumulatoru.
	Akumulators ir pārāk auksts vai pārāk karsts.	► Nodrošiniet ieteicamo akumulatora darba temperatūru.
4 LED mirgo.	Kombinētais perforators ir īslaicīgi pārslogots.	► Atlaidiet vadības slēdzi un pēc tam nospiediet to vēlreiz.
	Termiskā aizsardzība.	► Ļaujiet kombinētajam perforatoram atdzist un iztīriet tā ventilācijas atveres.



9 Nokalpojušo iekārtu utilizācija

Hilti iekārtu izgatavošanā tiek izmantoti galvenokārt otrreiz pārstrādājami materiāli. Priekšnosacījums otrreizējai pārstrādei ir atbilstoša materiālu šķirošana. Daudzās valstīs **Hilti** pieņem nolietotās iekārtas otrreizējai pārstrādei. Lai saņemtu vairāk informācijas, vērsieties **Hilti** servisā vai pie sava pārdošanas konsultanta.



- ▶ Neizmetiet elektroiekārtas, elektroniskas ierīces un akumulatorus sadzīves atkritumos!

10 Ražotāja garantija

- ▶ Ar jautājumiem par garantijas nosacījumiem, lūdzu, vērsieties pie vietējā **Hilti** partnera.

Originali naudojimo instrukcija

1 Informacija apie naudojimo instrukciją

1.1 Apie šią naudojimo instrukciją

- Prieš pradėdami eksploatuoti, perskaitykite šią naudojimo instrukciją. Tai yra saugaus darbo ir patikimo naudojimo sąlyga.
- Laikykitės saugos ir įspėjamųjų nurodymų, pateiktų šioje naudojimo instrukcijoje ir ant prietaiso.
- Šią naudojimo instrukciją visada laikykite kartu su prietaisu ir prietaisą kitiems asmenims perduokite tik kartu su šia naudojimo instrukcija.

1.2 Ženklių paaiškinimas

1.2.1 Įspėjantieji nurodymai

Įspėjantieji nurodymai įspėja apie pavojus, gresiančius eksploatuojant prietaisą. Naudojami šie signaliniai žodžiai:

PAVOJUS

PAVOJUS !

- ▶ Šis žodis vartojamas norint įspėti apie tiesiogiai gresiantį pavojų, kurio pasekmės yra sunkūs kūno sužalojimai arba žūtis.

ĮSPĖJIMAS

ĮSPĖJIMAS !

- ▶ Šis žodis vartojamas norint įspėti apie galimai gresiantį pavojų, kurio pasekmės gali būti sunkūs kūno sužalojimai arba žūtis.

ATSARGIAI

ATSARGIAI !

- ▶ Šis žodis vartojamas potencialiai pavojingai situacijai žymėti, kai yra kūno sužalojimo arba materialinių nuostolių grėsmė.

1.2.2 Naudojimo instrukcijoje naudojami simboliai

Šioje naudojimo instrukcijoje naudojami tokie simboliai:

	Laikykitės naudojimo instrukcijos
	Naudojimo nurodymai ir kita naudinga informacija
	Rodo, kad juo paženklintą medžiagą galima perdirbti
	Elektrinių prietaisų ir akumuliatorių nemesti į buitines atliekas



	Hilti ličio jonų akumuliatorius
	Hilti Kroviklis

1.2.3 Simboliai iliustracijose

Iliustracijose naudojami šie simboliai:

	Šis skaitmenys nurodo atitinkamą paveikslėlį šios naudojimo instrukcijos pradžioje.
3	Numeracija paveikslėliuose nurodo svarbius darbinius veiksmus arba darbiniams veiksmams svarbias konstrukcines dalis. Tekste šie darbiniai veiksmai arba konstrukcinės dalys išskirtos atitinkamais numeriais, pvz., (3).
	Pozicijų numeriai naudojami paveikslėlyje Apžvalga – jie nurodo skyrelyje Prietaiso vaizdas esančių paaiškinimų numerius.
	Šiuo ženklu siekiama atkreipti ypatingą dėmesį į naudojamą šiuo prietaisu.

1.3 Specifiniai prietaiso simboliai

1.3.1 Simboliai ant prietaiso

Ant prietaiso naudojami tokie simboliai:

	Grėžimas be smūgiavimo
	Grėžimas smūgiuojant (smūginis grėžimas)
	Kirtimas kaltu
	Kalto padėties nustatymas
	Dešininė / kairinė eiga
	Skersmuo
n_0	Nominalus tuščiosios eigos sukimosi greitis
/min	Apsisukimai per minutę
	Prietaisas palaiko belaidį duomenų perdavimą, suderinamą su „iOS“ ir „Android“ platformomis.
	Naudotas Hilti serijos ličio jonų akumuliatorius. Atkreipkite dėmesį į duomenis skyriuje Naudojimas pagal paskirtį .
Li-Ion	Ličio jonų akumuliatorius
	Niekada nenaudokite akumuliatoriaus kaip smūginio įrankio.
	Saugokite, kad akumuliatorius nenukristų. Nenaudokite akumuliatoriaus, kuris buvo sutrenktas arba kaip nors kitaip pažeistas.

1.4 Informacija apie prietaisą

gaminiai yra skirti profesionalams, todėl juos naudoti, techniškai prižiūrėti ir remontuoti leidžiama tik įgaliotam instruktuotam personalui. Šis personalas turi būti supažindintas su visais galimais pavojais. Neapmokyto personalo, netinkamai arba ne pagal paskirtį naudojamas prietaisas ir jo reikmenys gali kelti pavojų.

Tipas ir serijos numeris yra nurodyti firminėje duomenų lentelėje.



- ▶ Serijos numerį perkelkite į toliau nurodytą lentelę. Kreipdamiesi su prietaisu susijusiais klausimais į mūsų atstovybę ar techninės priežiūros centrą, visada nurodykite šiuos prietaiso duomenis.

Prietaiso duomenys

Kombinuotasis perforatorius	TE 30-A36
Karta	03
Serijos Nr.	

1.5 Atitikties deklaracija

Prisiimdami visą atsakomybę pareiškiame, kad čia yra aprašytas gaminyje atitinka galiojančias direktyvas ir normas. Atitikties deklaracijos kopiją rasite šios instrukcijos gale.

Techninė dokumentacija saugoma čia:

Hilti Entwicklungsgesellschaft mbH | Zulassung Geräte | Hiltistraße 6 | 86916 Kaufering, DE

2 Sauga

2.1 Bendrieji saugos nurodymai dirbantiems su elektriniais įrankiais

⚠️ [SPĖJIMAS Perskaitykite visus ant šio elektrinio įrankio esančius saugos nurodymus, instrukcijas, paveikslėlius ir techninius duomenis. Šių nurodymų nesilaikymas gali tapti elektros smūgio, gaisro ir / arba sunkių sužalojimų priežastimi.

Išsaugokite visus saugos nurodymus ir instrukcijas, kad galėtumėte į juos pažvelgti ateityje.

Saugos nurodymuose vartojama sąvoka „elektrinis įrankis“ apibrėžiami iš elektros tinklo maitinami elektriniai įrankiai (turintys maitinimo kabelį) ir iš akumulatoriaus maitinami elektriniai įrankiai (be maitinimo kabelio).

Sauga darbo vietoje

- ▶ **Pasirūpinkite, kad darbo vieta visada būtų švari ir gerai apšviesta.** Netvarkinga ar blogai apšviesta darbo vieta gali tapti nelaimingų atsitikimų priežastimi.
- ▶ **Nenaudokite elektrinio įrankio sprogoje aplinkoje, kurioje yra degių skysčių, dujų arba dulkių.** Veikiantys elektriniai įrankiai kibirkščiuoja, ir kibirkštys gali uždegti dulkes arba susikaupusius garus.
- ▶ **Dirbdami su elektriniu įrankiu, neleiskite darbo zonoje būti vaikams ir pašaliniais asmenims.** Atitraukę dėmesį nuo darbo, galite nebesuvaldyti prietaiso.

Apsauga nuo elektros

- ▶ **Prietaiso maitinimo kabelio kištukas turi atitikti elektros lizdo tipą.** Kištuko jokia būdu negalima keisti. Nenaudokite tarpinių kištukų kartu su elektriniais įrankiais, turinčiais apsauginį įžeminimą. Nepakeisti kištukai ir tinkami elektros lizdai mažina elektros smūgio riziką.
- ▶ **Venkite kūno kontakto su įžemintais paviršiais, pvz., vamzdžiais, šildytuvais, viryklėmis ir šaldytuvais.** Kai žmogaus kūnas yra įžemintas, padidėja elektros smūgio tikimybė.
- ▶ **Elektrinius įrankius saugokite nuo lietaus ir drėgmės.** Į elektrinį įrankį patekus vandens, padidėja elektros smūgio rizika.
- ▶ **Nenaudokite elektros maitinimo kabelio ne pagal paskirtį, t. y. neneškite elektrinio įrankio paėmę už kabelio, nekabinkite jo ant kabelio, netraukite už kabelio, norėdami ištraukti kištuką iš elektros lizdo.** Elektros maitinimo kabelį saugokite nuo karščio, alyvos, aštrių briaunų ar judančių dalių. Pažeisti arba susipynę elektros maitinimo kabeliai didina elektros smūgio riziką.
- ▶ **Jei su elektriniu įrankiu dirbate lauke, naudokite tik tokius ilginimo kabelius, kurie tinka ir lauko darbams.** Naudojant lauko darbams tinkančius ilginimo kabelius, mažėja elektros smūgio rizika.
- ▶ **Jeigu elektrinio įrankio naudojimo drėgnoje aplinkoje negalima išvengti, į elektros tinklą jįjunkite per apsauginę nuotėkio relę.** Apsauginė nuotėkio relė mažina elektros smūgio riziką.

Žmonių sauga

- ▶ **Dirbdami su elektriniu įrankiu, būkite atidūs, sutelkite dėmesį į darbą ir vadovaukitės sveika nuovoka.** Elektrinio įrankio nenaudokite, jeigu esate pavargę arba apsaigę nuo narkotinių medžiagų, alkoholio ar vaistų. Neatidumo akimirka dirbant su elektriniu įrankiu gali tapti rimtų sužalojimų priežastimi.
- ▶ **Naudokite asmenines apsaugos priemones ir visuomet užsidėkite apsauginius akinius.** Naudojant asmenines apsaugos priemones, pvz., respiratorių, neslystančius apsauginius batus, apsauginį šalną, ausines ir kt., priklausomai nuo elektrinio įrankio tipo ir naudojimo, mažėja rizika susižaloti.
- ▶ **Saugokitės, kad neįjungtumėte prietaiso atsitiktinai. Prieš prijungdami prie elektros maitinimo tinklo, įdedami akumuliatorių, imdami į rankas ar nešdami, įsitinkite, kad elektrinis įrankis yra išjungtas.** Jeigu nešdami elektrinį įrankį pirštą laikysite ant jungiklio arba įrankį įjungsitė į elektros tinklą tuomet, kai jungiklis nėra išjungtas, gali įvykti nelaimingas atsitikimas.



- ▶ **Prieš įjungdami elektrinį įrankį, pašalinkite iš jo reguliavimo įrankius ar veržlinius raktus.** Besisukančioje prietaiso dalyje esantis įrankis ar paliktas raktas gali tapti sužalojimų priežastimi.
- ▶ **Venkite nepatogių kūno padėčių.** Dirbdami stovėkite tvirtai ir visada išlaikykite kūno pusiausvyrą. Taip galėsite geriau kontroliuoti elektrinį įrankį netikėtose situacijose.
- ▶ **Vilkėkite tinkamą aprangą. Nevilkėkite plačių drabužių, nesidėkite papuošalų.** Saugokite plaukus, drabužius ir pirštines nuo besisukančių prietaiso dalių. Laisvus drabužius, papuošalus ir ilgus plaukus gali įtraukti besisukančios prietaiso dalys.
- ▶ **Jeį yra numatyta galimybė prijungti dulkių nusiurbimo ar surinkimo įrenginius, visada įsitikinkite, kad jie yra prijungti ir tinkamai naudojami.** Naudojant dulkių nusiurbimo įrenginį, gali sumažėti dulkių keliama grėsmė.
- ▶ **Neturėkite iliuzijų, kad visada esate saugūs, ir, skaitydami naudojimo instrukcijas, nepraleiskite skyrelių apie saugų darbą su elektriniais įrankiais, net jeigu per ilgus naudojimo metus esate su savo elektriniu įrankiu susipažinę.** Neatsargus veiksmas per sekundės dalį gali tapti sunkių sužalojimų priežastimi.

Elektrinio įrankio naudojimas ir elgesys su juo

- ▶ **Prietaiso neperkraukite.** Naudokite Jūsų darbui tinkamą elektrinį įrankį. Su tinkamu elektriniu įrankiu dirbsite geriau ir saugiau, jei neviršysite nurodytos galios.
- ▶ **Nenaudokite elektrinio įrankio su sugedusiu jungikliu.** Elektrinis įrankis, kurio nebegalima įjungti ar išjungti, yra pavojingas ir jį reikia remontuoti.
- ▶ **Prieš prietaisą nustatydami, keisdami reikmenis ar tiesiog padėdami į šalį, visuomet ištraukite maitinimo kabelio kištuką iš elektros lizdo ir / arba iš prietaiso išimkite akumuliatorių.** Ši atsargumo priemonė leis išvengti netikėto elektrinio įrankio įsijungimo.
- ▶ **Nenaudojamus elektrinius įrankius saugokite vaikams nepasiekiamoje vietoje. Neleiskite prietaisu naudotis asmenims, kurie nėra su juo susipažinę arba nėra perskaitę šios instrukcijos.** Elektriniai įrankiai yra pavojingi, kai juos naudoja patirties neturintys asmenys.
- ▶ **Elektrinius įrankius ir reikmenis rūpestingai prižiūrėkite. Tikrinkite, ar judančios elektrinio įrankio dalys tinkamai funkcionuoja ir niekur nekliūva, ar nėra sulūžusių ir pažeistų dalių, kurios blogintų įrankio veikimą. Prieš naudojimą pažeistos prietaiso dalys turi būti suremontuotos.** Blogai prižiūrimi elektriniai įrankiai yra daugelio nelaimingų atsitikimų priežastis.
- ▶ **Pjovimo įrankiai visuomet turi būti aštrūs ir švarūs.** Rūpestingai prižiūrėti pjovimo įrankiai su aštriomis pjovimo briaunomis mažiau stringa ir yra lengviau valdomi.
- ▶ **Elektrinį įrankį, reikmenis, keičiamuosius įrankius ir t. t. naudokite pagal šias instrukcijas. Taip pat atsižvelkite į darbo sąlygas ir atliekamo darbo pobūdį.** Elektrinius įrankius naudojant ne pagal paskirtį, gali kilti pavojingos situacijos.
- ▶ **Prižiūrėkite rankenas, kad jos ir jų laikymo paviršiai visada būtų sausi, švarūs ir neriebaluoti.** Slidžios rankenos ir jų laikymo paviršiai negali užtikrinti elektrinio įrankio saugaus naudojimo ir valdymo kontrolės nenumatytose situacijose.

Akumuliatorinio įrankio naudojimas ir elgesys su juo

- ▶ **Akumuliatoriams įkrauti naudokite tik tuos kroviklius, kuriuos rekomenduoja gamintojas.** Kroviklį, tinkantį tik nurodytiems akumuliatorių tipams, naudojant kitiems akumuliatoriams įkrauti, kyla gaisro pavojus.
- ▶ **Elektriniuose įrankiuose naudokite tik konkrečiai jiems skirtus akumuliatorius.** Naudojant kitokius akumuliatorius, kyla pavojus susižaloti ir sukelti gaisrą.
- ▶ **Nenaudojamo akumuliatoriaus nelaikykite šalia sąvaržėlių, monetų, raktų, vinių, varžtų ar kitokių smulkių metalinių daiktų, kurie galėtų trumpai sujungti akumuliatoriaus kontaktus.** Trumpai sujungus akumuliatoriaus kontaktus, yra pavojus nusidėginti ar sukelti gaisrą.
- ▶ **Netinkamai naudojant akumuliatorių, iš jo gali ištekėti skystis. Venkite kontakto su šiuo skysčiu. Jei skysčio atsitiktinai pateko ant odos, nuplaukite ją vandeniu, jei pateko į akis - gerai praplaukite jas vandeniu ir nedelsdami kreipkitės į gydytoją.** Akumuliatoriaus skystis gali sudirginti arba chemiškai nudeginti odą.
- ▶ **Nenaudokite pažeisto arba perdirbto akumuliatoriaus.** Pažeisti arba perdirbti akumuliatoriai gali funkcionuoti nenumatyta, todėl gali kelti gaisro, sprogo ar sužalojimų pavojų.
- ▶ **Akumuliatorių saugokite nuo ugnies ir per aukštos temperatūros.** Ugnies arba didesnės kaip 130 °C (265 °F) temperatūros veikiamas akumuliatorius gali sprogti.
- ▶ **Laikytės visų įkrovimo instrukcijų ir akumuliatorių arba akumuliatorinį įrankį visada įkraukite tik eksploatavimo instrukcijoje nurodytame temperatūrų diapazone.** Netinkamas įkrovimas arba įkrovimas už leistino temperatūrų diapazono ribų gali sugadinti akumuliatorių ir padidinti gaisro pavojų.

Techninė priežiūra

- ▶ **Savo elektrinį įrankį patikėkite remontuoti tik kvalifikuotam specialistui, tam jis turi naudoti tik originalias atsargines dalis.** Taip galima užtikrinti, kad bus išlaikytas prietaiso naudojimo saugumas.



- ▶ **Niekada nevykdykite pažeistų akumuliatorių techninės priežiūros.** Bet kokią akumuliatorių techninę priežiūrą leidžiama vykdyti tik gamintojui arba įgaliotoms klientų aptarnavimo įmonėms.

2.2 Saugos nurodymai smūginiams įrankiams

Saugos nurodymai visiems darbams

- ▶ **Dirbdami užsidėkite ausines.** Triukšmas gali pakenkti klausai.
- ▶ **Naudokite prietaiso komplekte esančias papildomas rankenas.** Prietaisui tapus nebevaldomam, galite susižaloti.
- ▶ **Vykdydami darbus, kurių metu keičiamasis įrankis gali paliesti paslėptus elektros laidus, prietaisą laikykite paėmę už izoliuotų rankenų paviršių.** Dėl kontakto su laidais, kuriais teka elektros srovė, metalinėse prietaiso dalyse taip pat gali atsirasti įtampa, todėl kyla elektros smūgio pavojus.

Saugos nurodymai dėl ilgų grąžtų naudojimo

- ▶ **Gręžti visada pradėkite nedideliu sukimosi greičiu ir tik tada, kai grąžtas jau liečia ruošinį.** Jeigu, neturėdamas kontakto su ruošiniu, grąžtas gali laisvai sukintis, jis gali šiek tiek sulinkti ir sužaloti.
- ▶ **Grąžtą spauskite tik išilgine kryptimi, tačiau spaudimas neturi būti per didelis.** Grąžtai gali sulinkti ir dėl to lūžti arba tapti nebevaldomi ir sužaloti.

2.3 Papildomi saugos nurodymai dirbantiems su kirstuvu

Žmonių sauga

- ▶ Prietaisą ir priedus naudokite tik tada, kai jie yra techniškai tvarkingi.
- ▶ Prietaisą ir priedus draudžiama keisti ar atlikti kitokius jų pakeitimus.
- ▶ Kirsdami kalnu lubas, sienas ir grindis visada tvirtai ir saugiai stovėkite. Netikėtai praktikę galite prarasti pusiausvyrą!
- ▶ Atlikdami sienų ar grindų pragręžimo ar prakirtimo darbus, apsaugokite kitoje pusėje esančią zoną. Medžiagos skeveldros gali iškristi ir / arba nukristi ir sužaloti kitus žmones.
- ▶ Naudotojas ir netoliese esantys asmenys darbo su prietaisu metu turi užsidėti apsauginius akinius, apsauginį šalmą, ausines ir užsidėti lengvą respiratorių.
- ▶ Keisdami įrankį, mūvėkite apsaugines pirštines. Liesdami keičiamąjį įrankį, galite susipjaustyti ir nusideginti rankas.
- ▶ Dirbdami užsidėkite akių apsaugos priemonę. Medžiagų skeveldros gali sužaloti odą ir akis.
- ▶ Šlifuojant, pjaustant ir gręžiant kylančiose dulkėse gali būti pavojingų cheminių medžiagų. Štai keli pavyzdžiai: švinas ar dažai švino pagrindu, plytos, betonas ir kiti mūro statiniai, natūralus akmuo ir kiti gaminiai, kurių sudėtyje yra silikato, tam tikra mediena, ažuolas, bukas ir chemiškai apdorota mediena, asbestas arba medžiagos, kurių sudėtyje yra asbesto. Naudodamiesi medžiagų, su kuriomis dirbama, pavojingumo klase, nustatykite poveikį dirbančiajam ir aplink esantiems asmenims. Imkitės būtinų priemonių, užtikrinančių, kad poveikis liktų saugiame lygmenyje, pvz., naudokite dulkių surinkimo sistemą arba dėvėkite tinkamas kvėpavimo apsaugos priemones. Prie bendrųjų priemonių, skirtų poveikiui sumažinti, priskiriama:
 - ▶ darbas gerai vėdinamoje srityje,
 - ▶ ilgesnio kontakto su dulkelėmis vengimas,
 - ▶ dulkių nuvedimas nuo veido ir kūno,
 - ▶ apsauginių drabužių dėvėjimas ir užterštų vietų nuplovimas vandeniu ir muilu.
- ▶ Dažnai darykite pertraukas ir pratimus, užtikrinančius geresnę Jūsų pirštų kraujotaką. Dirbant ilgesnį laiką, vibracijos gali sukelti pirštų, plaštakos ar riešo sąnario kraujagyslių ar nervų sistemos pažeidimus.

Apsauga nuo elektros

- ▶ Prieš pradėdami dirbti patikrinkite, ar darbo zonoje nėra paslėptų elektros laidų, dujų ar vandentiekio vamzdžių. Netyčia pažeidus elektros kabelį, dujų ar vandens vamzdį, išorinėse metalinėse prietaisų dalyse taip pat gali atsirasti įtampa, kelianti elektros smūgio pavojų, arba gali iškilti sprogo pavojus.

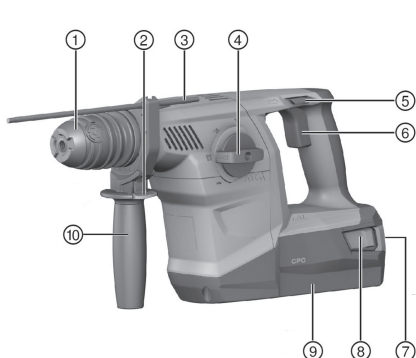
Atsargus elektrinių įrankių naudojimas ir elgesys su jais

- ▶ Prieš padėdami prietaisą palaukite, kol jis visiškai sustos.



3 Aprašymas

3.1 Prietaiso vaizdas



- ① Įrankio griebtuvas
- ② Gylio ribotuvo atfiksavimo mygtukas
- ③ Gylio ribotuvus
- ④ Funkcijos pasirinkimo jungiklis
- ⑤ Dešininės / kairinės eigos perjungiklis
- ⑥ Valdymo jungiklis
- ⑦ Akumuliatoriaus įkrovos / sutrikimų indikatorius
- ⑧ Atfiksavimo mygtukai / įkrovos lygio indikacijos suaktyvinimo funkcija
- ⑨ Akumuliatorius
- ⑩ Šoninė rankena

3.2 Naudojimas pagal paskirtį

Aprašytasis prietaisas yra akumuliatorinis kombinuotasis perforatorius su pneumatiniu smūginiu mechanizmu. Jis yra skirtas betono, mūro, medienos ir metalo gręžimo darbams. Prietaisą taip pat galima naudoti lengviems mūro kirtimo ir papildomiems betono apdailos darbams.

- ▶ Su šiuo prietaisu naudokite tik B 36 serijos **Hilti** Li-Ion akumuliatorius.
- ▶ Šiems akumuliatoriams įkrauti naudokite tik C4/36 serijos **Hilti** kroviklius.

3.3 Netinkamas naudojimas

- Sveikatai pavojingoms medžiagoms apdoroti šis prietaisas netinka.
- Šis prietaisas nėra skirtas eksploatuoti drėgnoje aplinkoje.

3.4 ATC

Prietaise įrengta elektroninė greitojo išjungimo sistema ATC (Active Torque Control).

Keičiamajam įrankiui užsiblokavus ar įstrigus, prietaisas staiga pradeda nekontroliuojamai sukintis priešinga kryptimi. ATC atpažįsta šį staigų prietaiso sukamąjį judesį ir jį tuojau pat išjungia.



Kad tinkamai vykdytų savo funkcijas, prietaisas turi galėti sukintis.

Po įvykusio greitojo išjungimo prietaisą išjunkite ir vėl įjunkite.

3.5 Variklio apsauga

Prietaise yra įrengta variklio apsauga. Ji kontroliuoja vartojamą srovę ir variklio įšilimą, taip saugodama prietaisą nuo perkaitimo.

Variklį perkrovus per didelę spaudimo jėgą, prietaiso galia pastebimai sumažėja, variklis gali netgi visiškai sustoti.

Jeigu dėl perkrovos prietaisas sustoja arba sumažėjo jo sukimosi greitis, reikia sumažinti apkrovą ir leisti prietaisui maždaug 30 sekundžių sukintis tuščiosios eigos greičiu.

3.6 Ličio jonų akumuliatoriaus indikatorius

Apie Li-Ion akumuliatoriaus įkrovos lygį ir prietaiso sutrikimus informuoja Li-Ion akumuliatoriaus indikatorius. Li-Ion akumuliatoriaus įkrovos lygis rodomas paspaudus vieną iš dviejų akumuliatoriaus atfiksavimo mygtukų.

Būseną	Reikšmė
Šviečia 4 diodai.	Įkrovos lygis: nuo 75 iki 100 %
Šviečia 3 diodai.	Įkrovos lygis: nuo 50 iki 75 %
Šviečia 2 diodai.	Įkrovos lygis: nuo 25 iki 50 %
Šviečia 1 diodas.	Įkrovos lygis: nuo 10 iki 25 %



Būsena	Reikšmė
1 šviesos diodas mirksi.	Įkrovos lygis: < 10 %
Mirksi 1 šviesos diodas, prietaisas neparengtas naudoti.	Akumulatorius yra perkaitęs arba visiškai išsekęs.
Mirksi 4 šviesos diodai, prietaisas neparengtas naudoti.	Prietaisas yra perkrautas arba perkaitęs.



Kai nuspaustas valdymo jungiklis ir maždaug 5 sekundes po jo paleidimo įkrovos lygio pasižiūrėti negalima.

Kai akumulatoriaus indikatorius šviesos diodai mirksi, laikykitės skyriuje „Pagalba sutrikus veikimui“ pateiktų nurodymų.

3.7 Tiekiamas komplektas

Kombinuotasis perforatorius, šoninė rankena su gylio ribotuvu, naudojimo instrukcija.



Kad eksploatacija būtų patikima, naudokite tik originalias atsargines dalis ir eksploatacines medžiagas. Mūsų aprobuotas atsargines dalis, eksploatacines medžiagas ir reikmenis savo prietaisui rasite vietiniame **Hilti** techninės priežiūros centre arba tinklalapyje www.hilti.com

4 Techniniai duomenys

4.1 Techniniai duomenys

	TE 30-A36
Nominalioji maitinimo įtampa	36 V
Smūgio energija pagal EPTA-Procedure 05/2009	3,6 J
Svoris	5,1 kg

4.2 Informacija apie triukšmą ir vibracijos reikšmės pagal EN 62841

Šiuose nurodymuose pateiktos garso slėgio ir vibracijos reikšmės yra išmatuotos taikant standartizuotą matavimo metodą ir gali būti naudojamos elektriniams įrankiams palyginti tarpusavyje. Jos taip pat tinka šių veiksmų poveikiui iš anksto įvertinti.

Nurodytieji duomenys yra susieti su pagrindinėmis šio elektrinio įrankio naudojimo sritimis. Jeigu elektrinis įrankis bus naudojamas kitaip, su skirtingais keičiamaisiais įrankiais arba bus nepakankamai techniškai prižiūrimas, šie duomenys gali skirtis nuo nurodytųjų. Tai gali gerokai padidinti šių veiksmų poveikį per visą darbo laikotarpį.

Norint tiksliai įvertinti poveikį, reikėtų įvertinti ir laiką, kai elektrinis prietaisas yra išjungtas, arba, nors ir įjungtas, juo faktiškai nedirbama. Toks įvertinimas gali smarkiai sumažinti poveikio per visą darbo laikotarpį reikšmę.

Imkitės papildomų saugos priemonių, kad darbuotojas būtų apsaugotas nuo triukšmo ir / arba vibracijos poveikio, pavyzdžiui, reikalaukite tinkamos elektrinio įrankio ir keičiamųjų įrankių techninės priežiūros, pasirūpinkite, kad darbuotojų rankos visada būtų šiltos, užtikrinkite tinkamą darbo organizavimą.

Skleidžiamo triukšmo lygio reikšmės

	TE 30-A36
Garso galios lygis (L_{WA})	103 dB
Garso slėgio lygis (L_{pA})	92 dB
Garso stiprumo / garso lygio paklaida	3 dB

Suminės vibracijų vertės

	TE 30-A36	
Metalo gręžimas ($a_{h, HD}$)	5 m/s ²	
Betono smūginis gręžimas ($a_{h, HD}$)	B 36/5.2	10,3 m/s ²
	B 36/9.0	9,3 m/s ²
Kirtimas kaltu	B 36/5.2	8,5 m/s ²



		TE 30-A36
Kirtimas kalnu	B 36/9.0	7,3 m/s ²
Paklaida		1,5 m/s ²

5 Naudojimas

5.1 Pasiruošimas darbui

ĮSPĖJIMAS

Sužalojimo pavojus dėl atsitiktinio paleidimo!

- ▶ Prieš įdėdami akumuliatorių, įsitikinkite, kad atitinkamas prietaisas yra išjungtas.
- ▶ Prieš nustatydami prietaisą ar keisdami reikmenis, išimkite akumuliatorių.

Laikykites šioje instrukcijoje ir ant prietaiso pateiktų saugos nurodymų ir įspėjimų.

5.1.1 Akumulatoriaus įdėjimas

1. Akumuliatorių dėkite į prietaise esantį laikiklį, kol girdimai užsikisuos.
2. Patikrinkite, ar akumuliatorius gerai užfiksuotas prietaise.

5.1.2 Akumulatoriaus išėmimas

1. Spauskite akumulatoriaus atfiksavimo mygtukus.
2. Akumuliatorių išimkite traukdami atgal.

5.1.3 Akumulatoriaus įkrovimas

- Prieš dėdami akumuliatorių į leistiną kroviklį, įsitikinkite, kad akumulatoriaus paviršiai yra švarūs ir sausi. Akumuliatorių įkraukite vadovaudamiesi kroviklio naudojimo instrukcija.

- ▶ Akumuliatorių įkraukite leistinu krovikliu.

5.1.4 Šoninės rankenos montavimas

ATSARGIAI

Sužalojimo pavojus! Prarasta prietaiso valdymo kontrolė..

- ▶ Įsitikinkite, kad šoninė rankena tinkamai sumontuota ir tvarkingai pritvirtinta. Įsitikinkite, kad užspaudimo juosta yra atitinkamame prietaiso griovelyje.
1. Sukdami rankeną, atlaisvinkite šoninės rankenos laikiklį (užspaudimo juosta).
 2. Laikiklį (užspaudimo juosta) virš įrankio griebtuvo iš priekio stumkite pirmyn iki jam skirto griovelio.
 3. Šoninę rankeną nustatykite į norimą padėtį.
 4. Sukdami rankeną, šoninės rankenos laikiklį (užspaudimo juosta) priveržkite.

5.1.5 Gylio ribotuvo nustatymas (užsakoma papildomai)

1. Spauskite ant šoninės rankenos esantį atfiksavimo mygtuką.
2. Gylio ribotuvą nustatykite pagal norimą gręžimo gylį.
3. Atfiksavimo mygtuką atleiskite.
4. Patikrinkite, ar šoninė rankena laikosi tvirtai.

5.1.6 Įrankio griebtuvo išmontavimas

ATSARGIAI

Sužalojimo pavojus! Sumontuotas, tačiau nenaudojamas gylio ribotuvus gali naudotojui trukdyti.

- ▶ Gylio ribotuvą nuimkite nuo prietaiso.

- Keisdami įrankio griebtuvą, funkcijos pasirinkimo jungiklį nustatykite į padėtį „Kirtimas kalnu“ .

1. Iš prietaiso išimkite akumuliatorių.



2. Delnu iš viršaus sugriebkite įrankio griebtuvą ir traukite aukštyn 3 fiksavimo žiedus.
3. Keldami aukštyn, įrankio griebtuvą nuimkite.

5.1.7 Įrankio griebtuvo montavimas

ATSARGIAI

Sužalojimo pavojus! Sumontuotas, tačiau nenaudojamas gylio ribotuvas gali naudotojui trukdyti.

- ▶ Gylio ribotuvą nuimkite nuo prietaiso.



Keisdami įrankio griebtuvą ar įrankį, funkcijos pasirinkimo jungikliu pasirinkite šį simbolį: **T**.

1. Iš prietaiso išimkite akumuliatorių.
2. Delnu iš viršaus sugriebkite įrankio griebtuvą ir traukite aukštyn 3 fiksavimo žiedus.
3. Įrankio griebtuvą užmaukite ant laikiklio.
4. Įrankio griebtuvą sukite, kol užsifiksuos.

5.1.8 Įrankio įdėjimas

1. Keičiamojo įrankio kotą šiek tiek patepkite tirštuoju tepalu.
 - ▶ Naudokite tik originalų **Hilti** tirštąjį tepalą. Netinkamas tepalas gali prietaisui padaryti žalos.
2. Keičiamąjį įrankį įstatykite į įrankio griebtuvą, kol atsirems, ir leiskite užsifiksuoti.
3. Patraukę už įstatyto įrankio patikrinkite, ar jis gerai užsifiksavo.
 - ▶ Prietaisas yra parengtas naudoti.

5.1.9 Įrankio išėmimas

ATSARGIAI

Sužalojimo pavojus dėl keičiamojo įrankio! Keičiamasis įrankis gali būti karštas arba turėti aštrias briaunas.

- ▶ Keisdami keičiamąjį įrankį, mūvėkite apsaugines pirštines.
- ▶ Įrankio fiksatorių traukite atgal, kol atsirems, ir keičiamąjį įrankį išimkite.

5.2 Darbas

ATSARGIAI

Galima žala dėl netinkamo naudojimo!

- ▶ Tuo metu, kai įrankis veikia, sukimosi krypties ir / arba funkcijos pasirinkimo jungiklių nejudinkite!

Laikykitės šioje instrukcijoje ir ant prietaiso pateiktų saugos nurodymų ir įspėjimų.

5.2.1 Funkcijos pasirinkimo jungiklis

- ▶ Funkcijos pasirinkimo jungiklį nustatykite į norimą darbinę padėtį.
 - ▶ Kai prietaisas veikia, funkcijos pasirinkimo jungiklį perjunginėti draudžiama. **Galima žala!**

5.2.2 Grežimas be smūgiavimo

- ▶ Funkcijos pasirinkimo jungiklį nustatykite ties šiuo simboliu:

5.2.3 Grežimas smūgiuojant (smūginis grežimas)

- ▶ Funkcijos pasirinkimo jungiklį nustatykite ties šiuo simboliu:

5.2.4 Kalto padėties nustatymas

- ▶ Funkcijos pasirinkimo jungiklį nustatykite ties šiuo simboliu:
- ▶ Kaltą galima fiksuoti 12-oje padėčių (30° žingsniu). Todėl plokščiuoju ir profiliniu kaltau visada galima dirbti pasirinkus atitinkamą optimalią darbinę padėtį.

5.2.5 Kirtimas kaltau

- ▶ Funkcijos pasirinkimo jungiklį nustatykite ties šiuo simboliu: **T**.



5.2.6 Dešininė / kairinė eiga

- ▶ Dešininės / kairinės eigos perjungikliu nustatykite norimą sukimosi kryptį.

6 Priežiūra ir einamasis remontas

ĮSPĖJIMAS

Sužalojimo pavojus kai įstatytas akumulatorius !

- ▶ Prieš pradėdami bet kokius techninės priežiūros ir einamojo remonto darbus, akumuliatorių iš prietaiso išimkite!

Prietaiso priežiūra

- Prilipusius nešvarumus atsargiai nuvalykite.
- Jei yra, vėdinimo plyšius atsargiai išvalykite sausu minkštu šepetėliu.
- Korpusą valykite tik šiek tiek sudrėkinta šluoste. Nenaudokite priemonių, kurių sudėtyje yra silikono, nes jos gali pakenkti plastikinėms detalėms.
- Prietaiso kontaktams nuvalyti naudokite švarią, sausą šluostę.

Ličio jonų akumuliatorių priežiūra

- Niekada nenaudokite akumulatoriaus, jei jo vėdinimo plyšiai yra užsikimšę. Vėdinimo plyšius atsargiai išvalykite sausu, minkštu šepetėliu.
- Saugokite akumuliatorių nuo bereikalingo dulkių ir nešvarumų poveikio. Saugokite akumuliatorių nuo didelės drėgmės (pvz., nepanardinkite į vandenį ir nepalikite stovėti lietuje).
Jei akumuliatorių peršlapo, elkites su juo kaip su pažeistu akumuliatoriumi. Izoliuokite jį nedegiamame konteineryje ir kreipkitės į **Hilti** techninės priežiūros centrą.
- Saugokite akumuliatorių nuo pašalinės alyvos ir tepalų. Saugokite, kad ant akumulatoriaus nenusėstų dulkių ir nešvarumų. Akumuliatorių valykite sausu, minkštu šepetėliu arba švaria, sausa šluoste. Nenaudokite priemonių, kurių sudėtyje yra silikono, nes jos gali pakenkti plastikinėms detalėms. Nelieskite akumulatoriaus kontaktų ir nepašalinkite nuo kontaktų gamykloje užtepto tepalo.
- Korpusą valykite tik šiek tiek sudrėkinta šluoste. Nenaudokite priemonių, kurių sudėtyje yra silikono, nes jos gali pakenkti plastikinėms detalėms.

Einamasis remontas

- Reguliariai tikrinkite, ar matomos dalys nėra pažeistos ir ar valdymo elementai veikia nepriklausomai.
- Nenaudokite pažeisto prietaiso arba prietaiso su veikimo trukdžiais. Prietaisą nedelsdami pristatykite remontuoti į **Hilti** techninės priežiūros centrą.
- Atlikę priežiūros ir remonto darbus uždėkite visus apsauginiai įtaisus ir patikrinkite, ar jie nepriklausomai veikia.



Kad eksploatacija būtų patikima, naudokite tik originalias atsargines dalis ir eksploatacines medžiagas. **Hilti** aprobuotas atsargines dalis, eksploatacines medžiagas ir reikmenis savo prietaisui rasite vietinėje **Hilti Store** arba tinklalapyje www.hilti.group

7 Akumuliatorių įrankių ir akumuliatorių transportavimas ir sandėliavimas

Transportavimas

ATSARGIAI

Atsitiktinis įjungimas transportuojant !

- ▶ Savo prietaisus visada transportuokite tik išėmę akumuliatorius!
- ▶ Išimkite akumuliatorių/akumuliatorius.
- ▶ Akumuliatorių niekada netransportuokite sumetę į krūvą su kitais daiktais. Transportuojamus akumuliatorius būtina saugoti nuo stiprių smūgių ir vibracijos, taip pat izoliuoti nuo bet kokių elektrai laidžių medžiagų ir kitų akumuliatorių, kad jie nesilieštų su kitų akumuliatorių poliais ir nesukeltų trumpojo jungimo. **Laikykitės eksploataavimo vietoje galiojančių akumuliatorių transportavimo direktyvų.**
- ▶ Akumuliatorius draudžiama siųsti paštu. Jei norite siųsti nepažeistus akumuliatorius, kreipkitės į pervedžimų įmonę.
- ▶ Prieš kiekvieną naudojimą ir po ilgesnio transportavimo patikrinkite, ar prietaisas ir akumulatoriaus nepažeisti.



Sandėliavimas

ĮSPĖJIMAS

Atsitiktinis pažeidimas dėl sugedusių ar išsiliejusių akumuliatorių !

- ▶ Savo prietaisus visada laikykite tik išmęš akumuliatorius!
-
- ▶ Prietaisus ir akumuliatorių laikykite vėsioje ir sausoje vietoje. Atkreipkite dėmesį į ribines temperatūros vertes, nurodytas skyriuje "Techniniai duomenys".
 - ▶ Akumuliatoriaus nelaikykite ant kroviklio. Akumuliatorių visada nuimkite nuo kroviklio po įkrovimo proceso.
 - ▶ Nelaikykite akumuliatoriaus saulėje, ant šilumos šaltinių ar už lango stiklo.
 - ▶ Prietaisą ir akumuliatorių laikykite vaikams bei neįgaliesiems asmenims neprieinamoje vietoje.
 - ▶ Prieš kiekvieną naudojimą ir po ilgesnio sandėliavimo patikrinkite, ar prietaisai ir akumuliatoriai nepažeisti.

8 Pagalba sutrikus veikimui

Pasitaikius sutrikimų, kurie nėra aprašyti šioje lentelėje arba kurių negalite pašalinti patys, kreipkitės į **Hilti** techninės priežiūros centrą.

8.1 Kombinuotasis perforatorius yra parengtas veikti

Sutrikimas	Galima priežastis	Sprendimas
Akumuliatorius išsikrauna greičiau nei paprastai.	Akumuliatoriaus būklė nėra optimali.	▶ Akumuliatorių pakeiskite nauju.
Akumuliatorius neužsifiksuoja girdimu spragtelėjimu.	Užterštas akumuliatoriaus fiksatorius.	▶ Fiksatorių išvalykite ir akumuliatorių įdėkite iš naujo.
Valdymo jungiklio negalima paspausti arba jis yra užblokuotas.	Dešininės / kairinės eigos perjungiklis yra vidurinėje padėtyje.	▶ Dešininės / kairinės eigos perjungiklį pastumkite į kairę arba į dešinę.
Prietaiso velenas nesisuka.	Viršyta kombinuotojo perforatoriaus elektroninės sistemos leistina darbinė temperatūra.	▶ Leiskite kombinuotajam perforatoriui atvėsti.
	Akumuliatorius išsekęs.	▶ Akumuliatorių pakeiskite, o išsekusį – įkraukite.
Kombinuotasis perforatorius automatiškai išsijungia.	Suveikė apsauga nuo perkrovos.	▶ Atleiskite valdymo jungiklį. Leiskite kombinuotajam perforatoriui atvėsti. Vėl spauskite valdymo jungiklį. Sumažinkite prietaiso apkrovą.
Kombinuotasis perforatorius arba akumuliatorius stipriai kaista.	Elektrinės įrangos gedimas	▶ Kombinuotąjį perforatorių nedelsdami išjunkite. Akumuliatorių išimkite ir stebėkite. Leiskite jam atvėsti. Susisiekite su Hilti techninės priežiūros centru.
	Kombinuotasis perforatorius perkrautas (viršyta nurodyta aprova).	▶ Pasirinkite tinkamos galios prietaisą.
Įrankio neįmanoma ištraukti iš griebtuvo.	Įrankio griebtuvus nėra atitrauktas iki galo.	▶ Įrankio fiksatorių traukite atgal, kol atsirems, ir įrankį išimkite.
Grąžtas negręžia.	Įjungta kombinuotojo perforatoriaus kairinė eiga.	▶ Dešininės / kairinės eigos perjungiklį nustatykite į dešininio sukimosi padėtį.

8.2 Kombinuotasis perforatorius neparengtas veikti

Sutrikimas	Galima priežastis	Sprendimas
Šviesos diodai nieko nerodo.	Akumuliatorius netinkamai įstatytas.	▶ Užfiksuokite akumuliatorių – turi pasigirsti spragtelėjimas.
	Akumuliatorius išsekęs.	▶ Akumuliatorių pakeiskite, o išsekusį – įkraukite.



Sutrikimas	Galima priežastis	Sprendimas
Šviesos diodai nieko nerodo.	Akumulatorius per karštas arba per šaltas.	▶ Akumuliatorių atvėsinkite arba pašildykite iki rekomenduojamos darbinės temperatūros.
1 šviesos diodas mirksi.	Akumulatorius išsekęs.	▶ Akumuliatorių pakeiskite, o išsekusį – įkraukite.
	Akumulatorius per karštas arba per šaltas.	▶ Akumuliatorių atvėsinkite arba pašildykite iki rekomenduojamos darbinės temperatūros.
Mirksi 4 šviesos diodai.	Kombinuotasis perforatorius trumpam perkrautas.	▶ Atleiskite ir vėl paspauskite valdymo jungiklį.
	Apsauga nuo perkaitimo.	▶ Leiskite kombinuotajam perforatoriui atvėsti ir išvalykite vėdinimo plyšius.

9 Utilizavimas

Hilti prietaisai yra pagaminti iš medžiagų, kurias galima naudoti antrą kartą. Būtina antrinio perdirbimo sąlyga yra tinkamas medžiagų išrūšiavimas. Daugelyje šalių **Hilti** priims Jūsų nebenaudojamą prietaisą perdirbti. Apie tai galite pasiteirauti artimiausiam **Hilti** techninės priežiūros centre arba savo prekybos konsultanto.



- ▶ Elektrinių įrankių, elektroninių prietaisų ir akumuliatorių neišmeskite į buitinius šiukšlynus!

10 Gamintojo teikiama garantija

- ▶ Kilus klausimų dėl garantijos sąlygų, kreipkitės į vietinį **Hilti** partnerį.

Originaalkasutusjuhend

1 Andmed kasutusjuhendi kohta

1.1 Käesoleva käsitsemisjuhendi kohta

- Enne seadme kasutuselevõttu lugege läbi kasutusjuhend. See on ohutu kasutamise ja tõrgeteta töö eeldus.
- Järgige käesolevas kasutusjuhendis ja seadmel esitatud ohutusnõudeid ja hoiatusi.
- Hoidke kasutusjuhend alati toote juures ja andke toode teistele isikutele edasi ainult koos käesoleva kasutusjuhendiga.

1.2 Märkide selgitus

1.2.1 Hoiatused

Hoiatused annavad märku toote kasutamisel tekkivatest ohtudest. Kasutatakse järgmisi märksõnu:



OHT

OHT !

- ▶ Võimalikud ohtlikud olukorrad, mis võivad põhjustada kasutaja raskeid kehavigastusi või hukkamist.



HOIATUS

HOIATUS !

- ▶ Võimalik ohtlik olukord, mis võib põhjustada kasutaja raskeid kehavigastusi või hukkamist.



ETTEVAATUST

ETTEVAATUST !

- ▶ Võimalikud ohtlikud olukorrad, mis võivad põhjustada kehavigastusi või varalist kahju.

1.2.2 Sümbolid kasutusjuhendis

Käesolevas kasutusjuhendis kasutatakse järgmisi sümboleid:

	Järgige kasutusjuhendit
	Soovitusi seadme kasutamiseks ja muu kasulik teave
	Taaskasutatavate materjalide käsitlemine
	Elektrilisi tööriistu ja akusid ei tohi visata olmejäätmete hulka
	Hilti Li-Ion-aku
	Hilti Laadimisseade

1.2.3 Joonistel kasutatud sümbolid

Joonistel kasutatakse järgmisi sümboleid.

	Numbrid viitavad vastavatele joonistele kasutusjuhendi juhendi alguses.
	Numbrid joonistel tähistavad tähtsaid toiminguid või toimingute jaoks tähtsaid detaile. Tekstis tõstetakse need toimingud või detailid vastava numbriga abil esile, näiteks (3) .
	Positsiooninumbreid kasutatakse joonisel Ülevaade ja need viitavad selgituste numbritel toote ülevaates .
	See märk näitab, et toote käsitlemisel tuleb olla eriti tähelepanelik.

1.3 Tootepõhised sümbolid

1.3.1 Tootel olevad sümbolid

Tootel kasutatakse järgmisi sümboleid:

	Löögita puurimine
	Löökpuurimine
	Meiseldamine
	Meisli positsioneerimine
	Parem/vasak käik
	Läbimõõt
n_0	Nimipöörlemiskiirus tühikäigul
/min	Pööret minutis
	Seade võimaldab juhtmevaba andmeedastust ja ühildub iOS- ja Android-platvormidega.
	Kasutatud Hilti liitiumioonaku seeria. Pidage kinni peatükis Nõuetekohane kasutamine esitatud juhistest.
Li-Ion	Liitiumioonaku
	Ärge kasutage akut kunagi löögiriistana.





Ärge laske akul kunagi maha kukkuda. Ärge kasutage akut, mis on saanud löögi või on muul moel kahjustatud.

1.4 Tooteinfo

tooted on ette nähtud professionaalsele kasutajale ja neid tohivad käsitseda, hooldada ja korras hoida ainult volitatud ja asjaomase väljaõppega isikud. Nimetatud personal peab olema teadlik kõikidest kaasnevatest ohtudest. Seade ja sellega ühendatavad abivahendid võivad osutada ohtlikuks, kui neid ei kasutata nõuetekohaselt või kui nendega töötab vastava väljaõppeta isik.

Tüübitähis ja seerianumber on tüübisildil.

- ▶ Kandke seerianumber järgmise tabelisse. Andmeid toote kohta vajate meie esindusele või hooldekeskusele päringute esitamisel.

Tooteinfo

Kombivasar	TE 30-A36
Põlvkond	03
Seerianumber	

1.5 Vastavusdeklaratsioon

Kinnitame ainuvastutajana, et käesolevas kasutusjuhendis kirjeldatud seade vastab kehtivate direktiivide ja standardite nõuetele: Vastavusdeklaratsiooni ärakirja leiате käesoleva kasutusjuhendi lõpust.

Tehnilised dokumendid on saadaval:

Hilti Entwicklungsgesellschaft mbH | Zulassung Geräte | Hiltistraße 6 | 86916 Kaufering, DE

2 Ohutus

2.1 Üldised ohutusnõuded elektriliste tööriistade kasutamisel

⚠ HOIATUS! Lugege kõiki selle elektrilise tööriista juurde kuuluvaid ohutusjuhiseid, nõuandeid, jooniseid ja tehnilisi andmeid! Järgmiste juhiste eiramise tagajärg võib olla elektrilöökk, tulekahju ja/või rasked vigastused.

Hoidke kõik ohutusnõuded ja juhised edaspidiseks kasutamiseks alles.

Ohutusjuhistes kasutatud mõiste "elektriline tööriist" käib võrgutoitega (toitejuhtmega) elektriliste tööriistade või akutoitega (toitejuhtmeta) elektriliste tööriistade kohta.

Ohutus töökohal

- ▶ **Hoidke oma töökoht puhas ja valgustage seda korralikult.** Korrastamata ja valgustamata töökoht võib põhjustada õnnetusi.
- ▶ **Ärge kasutage elektrilist tööriista plahvatusohtlikus keskkonnas, kus leidub tuleohtlikke vedelikke, gaase või tolmu.** Elektrilistest tööriistadest lööb sädemeid, mis võivad tolmu või auru süüdata.
- ▶ **Hoidke lapsed ja kõik teised töökohast eemal, kui kasutate elektrilist tööriista!** Kui teie tähelepanu juhitakse kõrvale, võib seade teie kontrolli alt väljuda.

Elektriohutus

- ▶ **Elektrilise tööriista pistik peab sobima pistikupesaga. Pistiku juures ei tohi teha mingeid muudatusi. Kaitsemaandusega seadmete puhul ei tohi kasutada adapterpistikuid.** Muutmata pistikud ja sobivad pistikupesad vähendavad elektrilöögiohtu.
- ▶ **Vältige keha kontakti maandatud pindadega (nt toru, radiaator, pliit, külmik).** Kui teie keha on maandatud, on elektrilöögi oht suurem.
- ▶ **Kaitske elektrilist tööriista vihma ja niiskuse eest.** Kui elektrilise tööriista sisemusse satub vett, suurendab see elektrilöögiohtu.
- ▶ **Ärge kasutage ühenduskaablit elektrilise tööriista kandmiseks, riputamiseks ega pistiku stepslist väljatõmbamiseks!** Hoidke ühenduskaablit eemal kuumusest, õldest, teravatest servadest ja liikuvatest osadest. Kahjustatud või keerdu ühenduskaablid suurendavad elektrilöögiohtu.
- ▶ **Kui töotate elektrilise tööriistaga vabas õhus, kasutage ainult selliseid pikendusjuhtmeid, mida tohib kasutada ka välitingimustes.** Välitingimustesse sobiva pikendusjuhtme kasutamine vähendab elektrilöögiohtu.
- ▶ **Kui seadmega töötamine niiskes keskkonnas on vältimatu, kasutage rikkevoolu kaitselüliti.** Rikkevoolu kaitselüliti kasutamine vähendab elektrilöögiohtu.



Inimeste ohutus

- ▶ **Olge tähelepanelik, jälgige, mida teete, ja toimige elektrilise tööriistaga töötades kaalutletult. Ärge töötage elektrilise tööriistaga, kui olete väsinud või alkoholi, narkootikumide või ravimite mõju all!** Hetkeline tähelepanematus elektrilise tööriista kasutamisel võib põhjustada raskeid kehavigastusi ja varalist kahju.
- ▶ **Kandke isiklikke kaitsevahendeid ja alati kaitseprille.** Isiklike kaitsevahendite, nt tolmu maski, libisemiskindlate turvajalatsite, kaitsekiivri või kuulmiskaitsevahendite kandmine (sõltuvalt elektrilise tööriista tüübist ja kasutusalasest) vähendab vigastusohtu.
- ▶ **Vältige elektrilise tööriista soovimatut käivitamist! Enne elektrilise tööriista ühendamist vooluvõrku ja/või elektrilise tööriista aku paigaldamist, tööriista ülestõstmist ja kandmist veenduge, et elektrilise tööriista on välja lülitatud!** Kui hoiate elektrilise tööriista kandmisel sõrme lülilil või ühendate vooluvõrku sisselülitatud tööriista, võib juhtuda õnnetus.
- ▶ **Enne elektrilise tööriista sisselülitamist eemaldage selle küljest seade- ja mutrivõtmed.** Elektrilise tööriista pöörleva osa küljes olev seade- või mutrivõti võib põhjustada vigastusi.
- ▶ **Vältige ebataavalist tööasendit! Võtke stabiilne tööasend ja säilitage alati tasakaal.** Nii saate elektrilist tööriista ootamatutes olukordades paremini kontrollida.
- ▶ **Kandke sobivat rõivastust. Ärge kandke laiu riideid ega ehteid! Hoidke juuksed, rõivad ja kindad seadme liikuvatest osadest eemal.** Lotendavad riided, ehted ja pikad juuksed võivad sattuda seadme liikuvate osade vahele.
- ▶ **Kui elektrilise tööriista külge on võimalik paigaldada tolmuemaldus- ja kogumiseadiseid, veenduge, et need on tööriistaga ühendatud ja et neid kasutatakse nõuetekohaselt.** Tolmuemaldus-eadise kasutamine võib vähendada tolmu st tingitud ohte.
- ▶ **Ärge laske tekkida petlikul turvatundel ega eirake elektrilise tööriista ohutusreegleid isegi siis, kui olete pärast paljukordset kasutamist elektrilise tööriistaga harjunud.** Tähelepanematu käsitsemine võib sekundi mürdosa jooksul kaasa tuua raskeid vigastusi.

Elektrilise tööriista kasutamine ja käsitsemine

- ▶ **Ärge koormake seadet üle! Kasutage konkreetseks tööks sobivat elektrilist tööriista.** See töötab ettenähtud jõudluspiirides tõhusamalt ja ohutumalt.
- ▶ **Ärge kasutage elektrilist tööriista, mille lüliti on rikkis!** Elektriline tööriist, mida ei saa enam lülitist korralikult sisse ja välja lülitada, on ohtlik ning tuleb viia parandusse.
- ▶ **Tõmmake enne seadme mis tahes seadetöid, tarvikute vahetamist ja seadme hoiolepanekut pistikupesast välja ja/või eemaldage äravõetav aku.** See ettevaatusabinõu hoiab ära seadme soovimatu käivitumise.
- ▶ **Kasutusvälisel ajal hoidke elektrilist tööriista lastele kättesaamatus kohas. Ärge laske seadet kasutada isikutel, kes seadme tööpõhimõtet ei tunne või ei ole lugenud käesolevaid kasutusjuhendeid.** Asjatundmatute isikute käes on elektrilised tööriistad ohtlikud.
- ▶ **Hooldage elektrilisi tööriistu ja tarvikuid korralikult. Kontrollige, kas liikuvad osad töötavad veatult ega kiilu kiini. Veenduge, et seadme osad ei ole murdunud või kahjustatud määral, mis mõjutab seadme töökindlust. Laske kahjustatud osad enne seadme kasutamist parandada.** Ebapiisavalt hooldatud elektrilised tööriistad põhjustavad õnnetusi.
- ▶ **Hoidke lõiketarvikud teravad ja puhtad.** Hästi hooldatud, teravate lõikeservadega lõiketarvikud kiiluvad harvemini kinni ja neid on lihtsam juhtida.
- ▶ **Kasutage elektrilist tööriista, tarvikuid ja lisatarvikuid vastavalt nende juhiste. Arvestage seejuures töötingimuste ja tehtava töö iseloomuga.** Elektrilise tööriista kasutamine otstarbel, milleks see ei ole ette nähtud, võib põhjustada ohtlikke olukordi.
- ▶ **Käepidemed ja haardepinnad peavad olema kuivad, puhtad ning vabad õlist ja rasvast.** Libedad käepidemed ja haardepinnad ei võimalda elektrilist tööriista ootamatutes olukordades kindlalt käitseda ega kontrollida.

Akuga tööriista kasutamine ja käsitsemine

- ▶ **Laadige akusid ainult tootja soovitatud laadimiseadmega.** Kui teatud tüüpi aku laadimiseks ettenähtud laadimiseadet kasutatakse teist tüüpi akude laadimiseks, tekib tulekahjuoht.
- ▶ **Kasutage elektrilistes tööriistades ainult ettenähtud akusid.** Teist tüüpi akude kasutamine võib põhjustada vigastus- ja põlenguohtu.
- ▶ **Hoidke akud kasutusvälisel ajal eemal kirjaklambritest, müntidest, võtmetest, naeltest, kruvidest ja teistest väikestest metallsemetest, mis võivad aku kontaktid omavahel ühendada.** Aku kontaktide vahel tekkiv lühis võib põhjustada põletuse või tulekahju.
- ▶ **Väärkasutuse korral võib akavedelik akust välja voolata. Vältige sellega kokkupuudet. Juhusliku kokkupuute korral loputage kahjustatud kohta veega. Kui vedelik satub silma, otsige ka arstiabi.** Väljavoolav akavedelik võib põhjustada nahaärritust või põletust.



- ▶ **Ärge kasutage kahjustatud ega modifitseeritud akut!** Kahjustatud või modifitseeritud akud võivad käituda ettenägematult ja põhjustada tulekahju, plahvatusi või vigastusohu.
- ▶ **Ärge laske akul kokku puutuda tule ega liiga kõrge temperatuuriga!** Tuli või temperatuur üle 130 °C (265 °F) võivad tekitada plahvatuse.
- ▶ **Järgige kõiki laadimisjuhiseid ja ärge kunagi laadige akut ega akutööriista väljaspool kasutusjuhendis näidatud temperatuurivahemikku.** Väär laadimine või laadimine väljaspool lubatud temperatuurivahemikku võib kahjustada akut ja suurendada tuleohtu.

Hoolitus

- ▶ **Laske elektrilist tööriista parandada ainult kvalifitseeritud spetsialistidel, kes kasutavad originaalvaruosi.** Nii on tagatud elektrilise tööriista ohutu töö.
- ▶ **Ärge hoolitage kahjustatud akut!** Akut võib hooldada ainult tootja või volitatud klienditeenindus.

2.2 Ohutusnõuded puurvasaratega töötamisel

Ohutusnõuded kõikide tööde puhul

- ▶ **Kandke kuulmiskaitsevahendeid.** Müra võib kahjustada kuulmist.
- ▶ **Kasutage tarnekomplekti kuuluvaid lisakäepidemeid.** Kontrolli kaotus seadme üle võib põhjustada vigastusi.
- ▶ **Kui teete töid, mille puhul võib tarvik tabada varjatud elektrijuhtmeid, hoidke seadet isoleeritud haardepinnast.** Kokkupuude pingestatud elektrijuhtmega võib seada pinge alla ka seadme metalldetailid ja põhjustada elektrilöögi.

Ohutusnõuded pikkade puuride kasutamisel

- ▶ **Alustage puurimist alati madalatel pööretel ja veenduge, et puur puutub toorikuga kokku.** Kõrgematel pööretel võib puur veidi painduda, kui puuril on võimalik toorikus ilma kokkupuuteta vabalt pöörelda, ning tagajärjeks võivad olla kehavigastused ja varaline kahju.
- ▶ **Ärge rakendage liigset survet ning rakendage survet üksnes puuri suhtes pikisuunas.** Puurid võivad painduda ja seetõttu murduda või tuua kaasa kontrolli kaotuse ning kehavigastuste ja varalise kahju tekke.

2.3 Täiendavad ohutusnõuded Piikvasar

Inimeste turvalisus

- ▶ Kasutage seadet ja lisatarvikuid ainult siis, kui nende tehniline seisukord on veatu.
- ▶ Ärge kunagi muutke ega modifitseerige seadet ega lisatarvikuid.
- ▶ Lagede, seinte ja põrandate meiseldamisel võtke ohutu ja stabiilne asend. Äkiline läbimurre võib teid tasakaalust välja viia!
- ▶ Läbistavate tööde korral ümbritsege kaitsepiiridega töödeldava koha taha jääv ala. Väljamurtavad tükid võivad välja ja/või alla kukkuda ning teisi inimesi vigastada.
- ▶ Seadme kasutaja ja läheduses viibivad inimesed peavad kandma sobivaid kaitseprille, kaitsekiivrit, kuulmiskaitsevahendeid ja kergest hingamisteede kaitsemaski.
- ▶ Tarviku vahetamisel kandke kaitsekindaid. Tarviku puudutamine võib tekitada löikehaavu ja põletusi.
- ▶ Kasutage kaitseprille. Materjalist väljalendavad killud võivad tekitada keha- ja silmavigastusi.
- ▶ Lihvimisel, lõikamisel ja puurimisel tekkiv tolm võib sisaldada ohtlikke kemikaale. Mõned näited: plii või pliipõhised värvid; tellis, betoon ja muu müüritis, looduskivi ja muud silikaati sisaldavad tooted; teatud tüüpi puit, näiteks tamm, pöök ja keemiliselt töödeldud puit; asbest või asbesti sisaldavad materjalid. Tehke kindlaks kasutaja ja teiste läheduses viibivate isikutega kokkupuute tase, arvestades töödeldavate materjalide ohuklassi. Võtke vajalikud meetmed, et hoida kokkupuude ohutul tasemel, nt kasutage tolmukogumissüsteemi või kandke sobivat hingamisteede kaitse maski. Kokkupuute vähendamise üldiste meetmete hulka kuuluvad:
 - ▶ töötamine hästi ventileeritud piirkonnast,
 - ▶ tolmuga pikaajalise kokkupuute vältimine,
 - ▶ tolmuaemalajuhtimine näost ja kehast,
 - ▶ kaitserõivaste kandmine ja nähtavate kohtade pesemine vee ja seebiga.
- ▶ Tehke tihti pause ja sirutage sõrmi, et parandada verevarustust. Pikemaajalisel töötamisel võib tugev vibratsioon tekitada häireid sõrmede, käte või randmeliigeste veresoonte ja närvistüsteemi toimimises.

Elektriohutus

- ▶ Veenduge enne töö alustamist, et tööpiirkonnas ei ole varjatult paigaldatud elektrikaableid ega gaasi- ja veetorustikke. Pingestatud elektrijuhtme, gaasi- või veetoru vigastamise korral võivad seadme välised metallosad sattuda põhjustada plahvatusi või elektrilöögi.

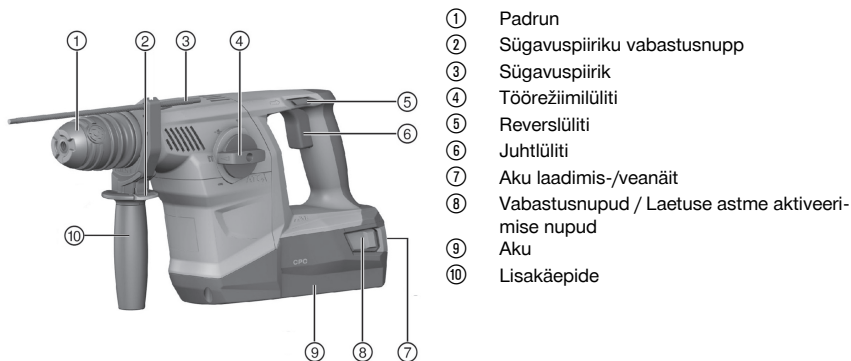


Elektriliste tööriistade hoolikas käsitsemine ja kasutamine

- ▶ Enne käestpanekut oodake, kuni seade on täielikult seiskunud.

3 Kirjeldus

3.1 Toote ülevaade 1



3.2 Sihipärane kasutamine

Kirjeldatud toode on pneumaatilise löögimehanismiga akukombivasar. See on ette nähtud betooni, müüritise, puidu ja metalli puurimiseks. Lisaks võib seadet kasutada kergeteks kuni keskmisteks meiseldustöödeks müüritises ning betoonpindade viimistlemiseks.

- ▶ Selle toote jaoks kasutage vaid B 36 tüüpi **Hilti** liitumioonakusid.
- ▶ Nende akude laadimiseks kasutage üksnes **Hilti** C4/36-seeria laadimisseadmeid.

3.3 Võimalik väärkasutus

- Toode ei ole ette nähtud tervisekahjulike materjalide töötlemiseks.
- Toode ei ole ette nähtud niiskes keskkonnas töötamiseks.

3.4 ATC

Seade on varustatud elektroonilise kiirväljalülitussüsteemiga ATC (Active Torque Control).

Kui tarvik blokeerub või jääb kinni, hakkab seade äkitselt kontrollimatult vastassuunas pöörlema. ATC tuvastab seadme järsu liikumise ja lülitab seadme kohe välja.



Nõuetekohaseks töötamiseks peab seade saama vabalt pöörlema. Pärast kiirväljalülitumist lülitage seade välja ja uuesti sisse.

3.5 Mootorikaitse

Toode on varustatud mootorikaitsega. See kontrollib sisendvoolu ja mootori temperatuuri ning kaitseb seadet ülekuumenemise eest.

Liiga suurest rakendatavast survest tingitud mootori ülekoormuse korral alaneb seadme jõudlus tunduvalt ja seade võib koguni seiskuda.

Ülekoormusest tingitud seiskumise või pöörlemiskiiruse alanemise korral tuleb seadmele rakendatavat survet vähendada ja lasta seadmel umbes 30 sekundit tühikäigul töötada.

3.6 Liitumioonaku näidik

Liitumioonaku laetuse taset ja seadme häireid signaliseeritakse liitumioonaku näidiku abil. Liitumioonaku laetuse taset näete, kui vajutate ühele kahest aku vabastusnupust.

Seisund	Tähendus
4 LED-tuld põlevad.	Laetuse tase: 75% kuni 100%



Seisund	Tähendus
3 LED-tuld põlevad.	Laetuse tase: 50% kuni 75%
2 LED-tuld põlevad.	Laetuse tase: 25% kuni 50%
1 LED-tuli põleb.	Laetuse tase: 10% kuni 25%
1 LED-tuli vilgub.	Laetuse tase: < 10%
1 LED-tuli vilgub, seade ei ole töövalmis.	Aku on üle kuumenenud või täielikult tühjenenud.
4 LED-tuld vilguvad, seade ei ole töövalmis.	Seade on üle koormatud või üle kuumenenud.

i Aku laetuse taset ei saa lugeda ajal, mil juhtlüliti on alla vajutatud, ja kuni 5 sekundi vältel pärast juhtlüliti vabastamist.
Kui aku laetuse taseme indikaatori LED-tuled vilguvad, tegutsege vastavalt punktis „Abi tõrgete puhul” toodud juhiste.

3.7 Tarnekomplekt

Kombivasar, sügavuspiirikuga lisakäepide, kasutusjuhend.

i Ohutu töö tagamiseks kasutage ainult originaalvaruosi ja -materjale. Meie poolt heakskiidetud varuosad, materjalid ja tarvikud leiate **Hilti** edasimüüja juurest või veebilehelt www.hilti.com

4 Tehnilised andmed

4.1 Tehnilised andmed

	TE 30-A36
Nimipinge	36 V
Löögienergia EPTA-Procedure 05/2009 kohaselt	3,6 J
Kaal	5,1 kg

4.2 Andmed müra ja vibratsiooni kohta vastavalt standardile EN 62841

Käesolevas juhendis märgitud helirõhu- ja vibratsioonitase on mõõdetud standarditud mõõtemeetodil ja seda saab kasutada elektriliste tööriistade omavaheliseks võrdlemiseks. See sobib ka vibratsiooni- ja mürataseme esialgseks hindamiseks.

Toodud näitajad iseloomustavad elektrilise tööriista põhilisi ettenähtud töid. Kui aga elektrilist tööriista kasutatakse muul otstarbel, teiste tarvikutega või kui tööriista on ebapiisavalt hooldatud, võivad näitajad käesolevas juhendis toodud näitajatest kõrvale kalduda. See võib vibratsiooni- ja mürataset töötamise koguperioodil tunduvalt suurendada.

Müra- ja vibratsioonitaseme täpseks hindamiseks tuleb arvesse võtta ka aega, mil elektriline tööriist oli välja lülitatud või küll sisse lülitatud, kuid tegelikult tööle rakendamata. See võib vibratsiooni- ja mürataset töötamise koguperioodil tunduvalt vähendada.

Kasutaja kaitseks müra ja/või vibratsiooni eest võtke tarvitusele täiendavaid kaitsemeetmeid, näiteks: hooldage elektrilist tööriista ja tarvikuid korralikult, hoidke käed soojad, tagage sujuv töökorraldus.

Müratase

	TE 30-A36
Helivõimsustase (L_{WA})	103 dB
Helirõhutase (L_{pA})	92 dB
Mõõtemääramatus helivõimsus / helirõhk	3 dB

Vibratsiooni kogutase

	TE 30-A36	
Metalli puurimine ($a_{h, HD}$)	5 m/s ²	
Betooni löökpuurimine ($a_{h, HD}$)	B 36/5.2	10,3 m/s ²
	B 36/9.0	9,3 m/s ²
Meiseldamine	B 36/5.2	8,5 m/s ²



		TE 30-A36
Meiseldamine	B 36/9.0	7,3 m/s ²
Möötemääramatus		1,5 m/s ²

5 Käsitsemine

5.1 Töö ettevalmistamine

HOIATUS

Vigastuste oht soovimatu käivitumise tõttu!

- ▶ Enne aku paigaldamist veenduge, et selle juurde kuuluv seade on välja lüüritatud.
- ▶ Enne seadme seadistamist ja tarvikute vahetamist eemaldage seadmest aku.

Järgige kasutusjuhendis esitatud ja tootele märgitud ohutusnõudeid ja hoiatusi.

5.1.1 Aku paigaldamine

1. Asetage aku seadme hoidikusse, nii et fikseerub kuuldavalt kohale.
2. Kontrollige aku kindlat kinnitumist.

5.1.2 Aku eemaldamine

1. Vajutage aku vabastusnuppudele.
2. Tõmmake aku suunaga taha välja.

5.1.3 Aku laadimine



Enne aku asetamist ettenähtud laadimiseseadmesse veenduge, et aku välispinnad on puhtad ja kuivad. Laadimisjuhised leiata vastava laadimiseseadme kasutusjuhendist.

- ▶ Laadige akut selleks ettenähtud laadimiseseadmega.

5.1.4 Lisakäepideme paigaldamine

ETTEVAATUST

Vigastuste oht! Kontrolli kaotus seadme üle.

- ▶ Veenduge, et lisakäepide on korrektselt paigaldatud ja nõuetekohaselt kinnitatud. Veenduge, et kinnitusriba asub seadme vastavas soones.

1. Keerake käepide, et kinnitusmehhanism (kinnitusriba) vabastada.
2. Lükake kinnitusmehhanism (kinnitusriba) eest üle padruni selleks ettenähtud soonde.
3. Seadke lisakäepide soovitud asendisse.
4. Keerake käepidemest, et lisakäepideme kinnitusmehhanismi (kinnitusriba) kinni pingutada.

5.1.5 Sügavuspiiriku reguleerimine (lisa)

1. Vajutage lisakäepidemel olevale vabastusnupule.
2. Seadke sügavuspiirik soovitud puurimissügavusele.
3. Vabastage vabastusnupp.
4. Kontrollige lisakäepideme kindlat kinnitumist.

5.1.6 Padruni mahavõtmine

ETTEVAATUST

Vigastuste oht! Paigaldatud, kuid kasutamata sügavuspiirik on kasutajale takistuseks.

- ▶ Eemaldage toote küljest sügavuspiirik.



Padruni vahetamisel seadke töörežiimilüliti asendisse "Meiseldamine"

1. Võtke aku seadmest välja.



2. Liikuge üle padruni ja tõmmake lukustuse 3 rõngast üles.
3. Tõmmake padrun suunaga üles maha.

5.1.7 Padruni paigaldamine

ETTEVAATUST

Vigastuste oht! Paigaldatud, kuid kasutamata sügavuspiirik on kasutajale takistuseks.

- ▶ Eemaldage toote küljest sügavuspiirik.



Padruni vahetamisel valige töörežiimilülil see sümbol: **T**.

1. Võtke aku seadmest välja.
2. Liikuge üle padruni ja tõmmake lukustuse 3 rõngast üles.
3. Torgake padrun hoidikule.
4. Keerake padrunit, kuni see fikseerub kohale.

5.1.8 Tarviku paigaldamine

1. Määrige tarviku padrunisse kinnitatavat osa veidi.
 - ▶ Kasutage üksnes **Hilti** originaalmääret. Vale määre võib seadet kahjustada.
2. Torgake tarvik lõpuni padrunisse ja laske kohale fikseeruda.
3. Pärast paigaldamist tõmmake tarvikut, et kontrollida, kas see on kindlalt kinni.
 - ▶ Seade on töövalmis.

5.1.9 Tarviku eemaldamine

ETTEVAATUST

Tarvikust tingitud kehavigastuste oht! Tarvik võib olla kuum või teravate servadega.

- ▶ Tarviku vahetamisel kandke kaitsekindaid.
- ▶ Tõmmake padruni lukustus lõpuni tagasi ja eemaldage tarvik.

5.2 Töötamine

ETTEVAATUST

Vigastuste oht vale käsitlemise tõttu!

- ▶ Ärge vajutage reversilülile või funktsiooni valiku lülile ajal, mil seade töötab.

Järgige kasutusjuhendis esitatud ja tootele märgitud ohutusnõudeid ja hoiatusi.

5.2.1 Töörežiimilüliti

- ▶ Seadke töörežiimilüliti soovitud tööasendisse.
 - ▶ Töörežiimilüliti ei tohi käsitseda seadme töötamise ajal. **Vigastuste oht!**

5.2.2 Löögita puurimine

- ▶ Seadke töörežiimilüliti sellele sümbolile:

5.2.3 Löökpuurimine

- ▶ Seadke töörežiimilüliti sellele sümbolile:

5.2.4 Meisli positsioneerimine

- ▶ Seadke töörežiimilüliti sellele sümbolile:
- ▶ Meislit saab lukustada 12 erinevasse asendisse (30° sammuga). Nii on lapik- ja profiilmeislitega võimalik alati töötada optimaalses tööasendis.

5.2.5 Meiseldamine

- ▶ Seadke töörežiimilüliti sellele sümbolile: **T**.



5.2.6 Parem/vasak käik

- ▶ Seadke reversüliti soovitud pöörlemisuuna asendisse.

6 Hooldus ja korrashoid

HOIATUS

Vigastuste oht paigaldatud aku korral !

- ▶ Enne mis tahes hooldus- ja korrashoiutöid eemaldage seadmest aku!

Toote hooldus

- Kõvasti kinni olev mustus eemaldage ettevaatlikult.
- Ventilatsiooniasiad puhastage ettevaatlikult kuiva, pehme harjaga.
- Puhastage korpust ainult veidi niiske lapiga. Ärge kasutage silikooni sisaldavaid hooldusvahendeid, sest need võivad kahjustada seadme plastdetaile.
- Seadme kontaktide puhastamiseks kasutage puhast kuiva lappi.

Litium-ioonakude hooldus

- Ärge kunagi kasutage akut, mille ventilatsioonivad on ummistunud. Puhastage ventilatsioonivasid ettevaatlikult kuiva, pehme harjaga.
- Kaitske akut tolmu ja mustuse eest. Ärge jätke akut kunagi suure niiskuse kätte (ärge asetage seda vette ja ärge jätke vihma kätte).
Kui aku on märjaks saanud, siis käsitlege seda nii, nagu oleks see kahjustatud. Isoleerige aku tulekindlas anumast ja pöörduge **Hilti** hooldekeskusesse.
- Hoidke aku puhas õlist ja rasvast. Vältige akusse asjatult tolmu ja mustuse kogunemist. Puhastage aku kuiva pehme harjaga või puhta kuiva lapiga. Ärge kasutage silikooni sisaldavaid hooldusvahendeid, sest need võivad kahjustada seadme plastdetaile.
Ärge puudutage aku kontakte ja ärge eemaldage kontaktidelt tehases peale kantud määret.
- Puhastage korpust ainult veidi niiske lapiga. Ärge kasutage silikooni sisaldavaid hooldusvahendeid, sest need võivad kahjustada seadme plastdetaile.

Korrashoid

- Kontrollige regulaarselt, kas kõik nähtavad osad on terved ja juhtelemendid töötavad veatult.
- Ärge kasutage seadet kahjustuste ja/või tõrgete korral. Laske seade kohe parandada **Hilti** hooldekeskuses.
- Pärast hooldus- ja korrashoiutöid paigaldage kõik kaitseseadised ja kontrollige, kas need töötavad veatult.



Ohutu töö tagamiseks kasutage ainult originaalvaruosi ja -materjale. **Hilti** heakskiidetud varuosad, materjalid ja lisatarvikud oma tootele leiate müügiesindusest **Hilti Store** või veebilehelt: www.hilti.group

7 Akutööriistade ja akude transport ja ladustamine

Transport

ETTEVAATUST

Soovimatu käivitumine transportimisel !

- ▶ Transportige tooteid ilma akudeta!
- ▶ Eemaldage aku/akud.
- ▶ Ärge kunagi transportige akusid lahtiselt. Enne aku transportimist tuleb aku pakendada nii, et see oleks kaitsitud löökide ja vibratsiooni eest ning isoleeritud kõikidest elektrit juhtivatest materjalidest või teistest akudest, et vältida kokkupuudet teise aku poolustega ning lühise teket. **Järgige akude transpordi suhtes kehtivaid riigisiseseid nõudeid.**
- ▶ Akusid ei tohi saata posti teel. Kahjustamata akude saatmiseks pöörduge logistikaettevõtja poole.
- ▶ Iga kord enne kasutamist ning enne ja pärast pikemat transporti või hoiustamist kontrollige seadet ja akusid vigastuste suhtes.

Hoiustamine

HOIATUS

Defektsed akud või lekkivad akud võivad tekitada vigastusi !

- ▶ Kasutusvälisel ajal eemaldage seadmest aku!



- ▶ Hoidke seadet ja akusid jahedas ja kuivas kohas. Pidage kinni tehnilistes andmetes toodud temperatuuripiirangutest.
- ▶ Ärge hoidke akusid päikese käes, radiaatori peal või klaasi taga.
- ▶ Hoidke seadet ja akusid lastele ja kõrvalistele isikutele ligipääsmatus kohas.
- ▶ Iga kord enne kasutamist ning enne ja pärast pikemaajalist seismist kontrollige seadet ja akusid kahjustuste suhtes.

8 Abi tõrgete puhul

Kui peaks esinema tõrge, mida ei ole järgmises tabelis nimetatud või mida Te ei suuda ise kõrvaldada, pöörduge **Hilti** hooldekeskusse.

8.1 Kombivasar on töökorras

Tõrge	Võimalik põhjus	Lahendus
Aku tühjeneb tavalisest kiiremini.	Aku seisund ei ole optimaalne.	▶ Vahetage aku välja.
Aku ei fikseeru kuuldava "klõpsuga" kohale.	Aku fiksaatorninad on määrdunud.	▶ Puhastage fiksaatorninad ja paigaldage aku uuesti.
Juhtlülitit ei saa alla vajutada või see on kinni kiilunud.	Reverslülitit on keskasendis.	▶ Lükake reverslülitit vasakule või paremale.
Spindel ei pöörle.	Kombivasara elektroonika lubatud töötemperatuur on ületatud.	▶ Laske kombivasaral jahtuda.
	Aku on tühi.	▶ Vahetage aku ja laadige tühi aku täis.
Kombivasar lülitub automaatselt välja.	Rakendub ülekoormuskaitse.	▶ Vabastage juhtlülitit. Laske kombivasaral jahtuda. Vajutage juhtlülitit uuesti alla. Vähendage seadmele avalduvat koormust.
Kombivasar või aku läheb väga kuumaks.	Elektriga seotud rike	▶ Lülitage kombivasar kohe välja. Eemaldage aku ja ärge jätke seda järelevalveta. Laske akul jahtuda. Võtke ühendust Hilti hooldekeskusega.
	Kombivasar on üle koormatud (jõudluspiirid ületatud).	▶ Valige konkreetseks tööks sobiv seade.
Tarvikut ei saa padrunist vabastada.	Padrun ei ole täielikult tagasi tõmmatud.	▶ Tõmmake padrun lõpuni tagasi ja eemaldage tarvik.
Puur ei tungi sisse.	Kombivasar on seatud vasakule käigule.	▶ Seadke reverslülitit paremkäigule.

8.2 Kombivasar ei ole töökorras

Tõrge	Võimalik põhjus	Lahendus
LED-tuled ei tööta.	Aku ei ole täielikult sisse pandud.	▶ Laske akul klõpsuga kohale fikseeruda.
	Aku on tühi.	▶ Vahetage aku ja laadige tühi aku täis.
	Aku on liiga kuum või liiga külm.	▶ Laske akul soojeneda/jahtuda soovituslikule töötemperatuurile.
1 LED-tuli vilgub.	Aku on tühi.	▶ Vahetage aku ja laadige tühi aku täis.
	Aku on liiga kuum või liiga külm.	▶ Laske akul soojeneda/jahtuda soovituslikule töötemperatuurile.



Tõrge	Võimalik põhjus	Lahendus
4 LED-tuld vilguvad.	Kombivasar on lühiaegselt üle koormatud.	▶ Vabastage juhtlülitit ja vajutage sellele uuesti.
	Ülekuumenemiskaitse.	▶ Laske kombivasaral jahtuda ja puhastage ventilatsioonivavad.

9 Utiliseerimine

Hilti seadmed on suure osas valmistatud taaskasutatavatest materjalidest. Taaskasutuse eelduseks on materjalide korralik sorteerimine. Paljudes riikides kogub **Hilti** kasutusressursi ammandanud seadmed kokku. Lisateavet saate **Hilti** müügiesindusest.



- ▶ Ärge visake kasutusressursi ammandanud elektrilisi tööriistu, elektroonikaseadmeid ja akusid olmejäätmete hulka!

10 Tootja garantii

- ▶ Garantiitingimusi puudutavates küsimustes pöörduge oma kohaliku **Hilti** partneri poole.

オリジナル取扱説明書

1 取扱説明書について

1.1 本取扱説明書について

- ご使用前にこの取扱説明書をすべてお読みください。このことは、安全な作業と問題のない取扱いのための前提条件となります。
- 本取扱説明書および製品に記載されている安全上の注意と警告表示に注意してください。
- 取扱説明書は常に製品とともに保管し、他の人が使用する場合には、製品と取扱説明書を一緒にお渡しください。

1.2 記号の説明

1.2.1 警告表示

警告表示は製品の取扱いにおける危険について警告するものです。以下の注意喚起語が使用されています：



危険

危険！

- ▶ この表記は、重傷あるいは死亡事故につながる危険性がある場合に注意を促すために使われます。



警告

警告！

- ▶ この表記は、重傷あるいは死亡事故につながる可能性がある場合に注意を促すために使われます。



注意

注意！

- ▶ この表記は、身体の負傷あるいは物財の損傷が発生する可能性がある場合に使われます。

1.2.2 取扱説明書の記号

この取扱説明書では、以下の記号が使用されています：



取扱説明書に注意してください



本製品を効率良く取り扱うための注意事項や役に立つ情報



	リサイクル可能な部品の取扱い
	電動工具およびバッテリーを一般ゴミとして廃棄してはなりません
	Hilti Li-Ion バッテリー
	Hilti 充電器

1.2.3 図中の記号

図中では以下の記号が使用されています：

	この数字は本取扱説明書冒頭にある該当図を示しています。
3	図中の付番は、重要な作業手順あるいは作業手順にとって重要なパーツであることを示しています。本文中ではこれらの作業手順またはパーツは、(3) のように当該の番号でハイライト表示されています。
	概要図には項目番号が付されていて、製品概要セクションの凡例の番号に対応しています。
	この記号は、製品の取扱いの際に特に注意が必要なことを示しています。

1.3 製品により異なる記号

1.3.1 製品に表示されている記号

製品には以下の記号が使用されています：

	回転のみ
	回転 + 打撃(回転 + 打撃)
	ハツリ作業
	チゼル角度調整
	正逆回転機能
\varnothing	直径
n_0	無負荷回転数
/min	毎分回転数
	本製品は、iOS および Android プラットフォームと互換性のある無線データ転送をサポートしています。
	使用されているHilti Li-Ion バッテリーのモデルシリーズ。正しい使用の章の記載に注意してください。
Li-Ion	Li-Ionen バッテリー
	バッテリーは決して打撃工具として使用しないでください。
	バッテリーは落下させないでください。ぶついたり、あるいはその他の理由で損傷しているバッテリーは使用しないでください。

1.4 製品情報

製品はプロ仕様で製作されており、その使用、保守、修理を行うのは、認定を受けトレーニングされた人のみに限ります。これらの人は、遭遇し得る危険に関する情報を入手していなければなりません。製品およびアクセサリの使用法を知らない者による誤使用、あるいは規定外の使用は危険です。機種名および製造番号は銘板に表示されています。



- ▶ 製造番号を以下の表に書き写しておいてください。ヒルティ代理店やサービスセンターへお問い合わせの際には、製品データが必要になります。

製品データ

コンビハンマードリル	TE 30-A36
製品世代	03
製造番号：	

1.5 適合宣言

当社は、単独の責任において本書で説明している製品が有効な基準と標準規格に適合していることを宣言します。適合宣言書の複写は本書の末尾にあります。

技術資料は本書の後続の頁に記載されています：

Hilti Entwicklungsgesellschaft mbH | Zulassung Geräte | Hiltistraße 6 | 86916 Kaufering, DE

2 安全

2.1 電動工具の一般安全注意事項

⚠ 警告事項 本電動工具に付属のすべての安全上の注意、指示事項、図、および製品仕様をお読みください。以下の指示を守らないと、感電、火災および / または重傷事故の危険があります。

安全上の注意および指示事項が書かれた説明書はすべて大切に保管してください。

安全上の注意で使用する用語「電動工具」とは、お手持ちの電動ツール(電源コード使用)またはバッテリーツール(コードレス)を指します。

作業環境に関する安全

- ▶ 作業場はきれいに保ち、十分に明るくしてください。ちらかった暗い場所での作業は事故の原因となります。
- ▶ 爆発の危険性のある環境(可燃性液体、ガスおよび粉じんのある場所)では電動工具を使用しないでください。電動工具から火花が飛散し、粉じんや揮発性ガスに引火する恐れがあります。
- ▶ 電動工具の使用時、子供や無関係者を作業場へ近づけないでください。作業中に気がそらされると、本体のコントロールを失ってしまう恐れがあります。

電気に関する安全注意事項

- ▶ 電動工具の接続プラグは電源コンセントにきちんと適合しなければなりません。プラグは絶対に変更しないでください。保護接地した電動工具と一緒にアダプタープラグを使用しないでください。オリジナルのプラグと適切なコンセントを使用することにより、感電の危険を小さくすることができます。
- ▶ バイブ、ラジエーター、電子レンジ、冷蔵庫などのアースされた面に体の一部が触れないようにしてください。体が触れると感電の危険が大きくなります。
- ▶ 電動工具を雨や湿気から保護してください。電動工具に水が浸入すると、感電の危険が大きくなります。
- ▶ 電動工具を持ち運んだり、吊り下げたり、コンセントからプラグを抜いたりするときは、必ず本体を持ち、電源コードを持って引っぱりしないでください。電源コードを火気、オイル、鋭利な刃物、可動部等に触れる場所に置かないでください。電源コードが損傷したり絡まったりしていると、感電の危険が大きくなります。
- ▶ 屋外工事の場合には、必ず屋外専用の延長コードを使用してください。屋外専用の延長コードを使用すると、感電の危険が小さくなります。
- ▶ 湿った場所で電動工具を動作させる必要がある場合は、漏電遮断器を使用してください。漏電遮断器を使用すると、感電の危険が小さくなります。

作業に関する安全

- ▶ 電動工具を使用の際には、油断せずに十分注意し、常識をもった作業をおこなってください。疲れている場合、薬物、医薬品服用およびアルコール飲用による影響下にある場合には電動工具を使用しないでください。電動工具使用中の一瞬の不注意が重傷の原因となることがあります。
- ▶ 個人用保護具および保護メガネを常に着用してください。負傷の危険を低減するために、電動工具の使用状況に応じた粉じんマスク、耐滑性の安全靴、ヘルメット、耳栓などの個人用保護具を着用してください。
- ▶ 電動工具の意図しない始動を防止して下さい。電動工具を電源および / またはバッテリーに接続する前や本体を持ち上げたり運んだりする前に、本体がオフになっていることを必ず確認してください。オン / オフスイッチが入っている状態で電動工具のスイッチに指を掛けたまま運んだり、電源に接続したりすると、事故の原因となる恐れがあります。
- ▶ 電動工具のスイッチを入れる前に、必ず調節キーやレンチを取り外してください。調節キーやレンチが本体の回転部に装着されたままでは、けがの原因となる恐れがあります。



- ▶ 作業中は不安定な姿勢をとらないでください。足元を安定させ、常にバランスを保つようにしてください。これにより、万一電動工具が異常状況に陥った場合にも、適切な対応が可能となります。
- ▶ 作業に適した作業着を着用してください。だぶだぶの衣服や装身具を着用しないでください。髪、衣服、手袋を本体の可動部に近づけないでください。だぶだぶの衣服、装身具、長い髪が可動部に巻き込まれる恐れがあります。
- ▶ 吸じんシステムの接続が可能な場合には、これらのシステムが適切に接続、使用されていることを確認してください。吸じんシステムを利用することにより、粉じん公害を防げます。
- ▶ 電動工具の取扱いに熟練している場合にも、正しい安全対策を遵守し、電動工具に関する安全規則を無視しないでください。不注意な取扱いは、ほんの一瞬で重傷事故を招くことがあります。

電動工具の使用および取扱い

- ▶ 無理のある使用を避けてください。作業用途に適した電動工具を使用してください。適切な電動工具の使用により、効率よく、スムーズかつ安全な作業が行えます。
- ▶ スイッチが故障している場合には、電動工具を使用しないでください。スイッチで始動および停止操作のできない電動工具は危険ですので、修理が必要です。
- ▶ 本体の設定やアクセサリの交換を行う前や本体を保管する前には電源プラグをコンセントから抜き、および/または脱着式のバッテリーを取り外してください。この安全処置により、電動工具の意図しない始動を防止することができます。
- ▶ 電動工具をご使用にならない場合には、子供の手の届かない場所に保管してください。電動工具に関する知識のない方、本説明書をお読みでない方による本体のご使用は避けてください。未経験者による電動工具の使用は危険です。
- ▶ 電動工具とアクセサリは慎重に手入れしてください。可動部分が引っ掛かりなく正常に作動しているか、電動工具の運転に影響を及ぼす各部分が破損・損傷していないかを確認してください。電動工具をご使用になる前に、損傷部分の修理を依頼してください。事故の多くは保守管理の不十分な電動工具の使用が原因となっています。
- ▶ 先端工具は鋭利で汚れのない状態を保ってください。お手入れのゆきとどいた先端工具を使用すると、作業が簡単かつ、スムーズになります。
- ▶ 電動工具、アクセサリ、先端工具などは、それらの説明書に記載されている指示に従って使用してください。その際は、作業環境および用途についてもご注意ください。指定された用途以外に電動工具を使用すると危険な状況をまねく恐れがあります。
- ▶ グリップとグリップ面は乾燥した清潔な状態に保ち、オイルやグリスの付着がないようにしてください。グリップやグリップ面が滑りやすい状態になっていると、予期していない状況が発生した際に電動工具を安全に使用/制御できません。

バッテリー工具の使用および取扱い

- ▶ バッテリーを充電する場合は、必ずメーカー推奨の充電器を使用してください。特定タイプのバッテリー専用の充電器を他のバッテリーに使用すると、火災の恐れがあります。
- ▶ 電動工具には、必ず指定されたバッテリーを使用してください。指定以外のバッテリーを使用すると、負傷や火災の恐れがあります。
- ▶ 使用されていないバッテリーの近くに、事務用クリップ、硬貨、キー、釘、ネジ、その他の小さな金属物を置かないでください。電気接点の短絡が起こることがあります。バッテリーの電気接点間が短絡すると、火傷や火災が発生する危険があります。
- ▶ 正しく使用しないと、液漏れが発生することがあります。その場合、漏れた液には触れないでください。もしも触れてしまった場合は、水で洗い流してください。バッテリー液が眼に入った場合は、水で洗い流してから医師の診察を受けてください。流出したバッテリー液により、皮膚が刺激を受けたり火傷を負う恐れがあります。
- ▶ 損傷したあるいは変更が加えられたバッテリーは使用しないでください。損傷したあるいは変更が加えられたバッテリーは、予測不可能な挙動により爆発あるいは負傷事故を発生させる危険があります。
- ▶ バッテリーは火気あるいは高温に曝さないでください。火気あるいは 130 °C (265 °F) を超える高温は、爆発の原因となることがあります。
- ▶ 充電に関するすべての指示事項に従い、バッテリーあるいはバッテリー工具は、決して取扱説明書に記載された温度範囲外で充電しないでください。正しくない充電あるいは許容温度範囲外での充電により、バッテリーが破壊され火災が発生する危険があります。

サービス

- ▶ 電動工具の修理は必ず認定サービスセンターにお申し付けください。また、必ず純正部品を使用してください。これにより電動工具の安全性が確実に維持されます。
- ▶ 損傷したバッテリーは決して手入れや保守を行わないでください。バッテリーの保守作業はすべて、メーカーあるいは権限のあるお客様サービスセンターが行うものとします。



2.2 ハンマーに関する安全上の注意

すべての作業に関する安全上の注意

- ▶ 耳栓を着用してください。騒音により、聴覚に悪影響が出る恐れがあります。
- ▶ 本体と一緒に納品された補助ハンドルを使用してください。これ以外のハンドルを使用すると、コントロールを失ってけがをする恐れがあります。
- ▶ 先端工具が隠れた電線に接触する可能性のある作業を行う場合は、必ず本体の絶縁されたグリップを持ってください。通電しているケーブルと接触すると、本体の金属部分にも電圧がかかり、感電の危険があります。

長いドリルビットを使用する際の安全上の注意

- ▶ 穿孔作業は、常にドリルビットが作業材料と接触している状態で低い回転数から始めるようにしてください。回転数が高くてドリルビットが作業材料と接触せず自由に回転できる状態にあると、ドリルビットは簡単に曲がってしまうことがあり、これが負傷の原因となることがあります。
- ▶ 過度な力を加えず、常にドリルビットの縦方向にのみ力が作用するようにしてください。ドリルビットは曲がって折れてしまうこと、あるいはコントロールを失って負傷の原因となることがあります。

2.3 電動ハツリ機のその他の安全上の注意

作業者に関する安全

- ▶ 本製品とアクセサリは、必ず技術的に問題のない状態で使用してください。
- ▶ 本製品あるいはアクセサリには、決して加工や改造を加えないでください。
- ▶ 天井、壁および床のハツリ作業の際には、足元がしっかりと安定していることを確認してください。足場が突然に壊れると、バランスを失う危険があります！
- ▶ 剥がし作業の場合には、作業側と反対の領域を保護してください。剥がれた部分が脱落、落下して他の人を負傷させる危険があります。
- ▶ 使用中は、作業者および現場で直近に居合わせる人々は、適切な保護メガネ、保護ヘルメット、耳栓、および防じんマスクを着用しなければなりません。
- ▶ 先端工具の交換時には保護手袋を着用してください。先端工具に触れると、切創事故や火傷の原因となることがあります。
- ▶ アイシールドを着用してください。破片が身体の一部、眼などを傷つけることもあります。
- ▶ 研磨、紙やすり研磨、切断および穿孔の際に発生する粉じんは、化学物質を含んでいる場合があります。これには、鉛、あるいは鉛ベースの塗料、レンガ、コンクリートおよびその他の壁用資材、自然石およびその他の珪酸塩含有製品、樫などの特定の木材、および化学処理の施された木材、アスベストあるいはアスベストが含まれる母材、などが考えられます。作業対象の資材の危険等級により、作業者および周囲の人員の曝露を確認してください。曝露を安全なレベルに維持するために、粉じん吸引システムの使用、あるいは適切な防じんマスクの着用などの必要な処置を取ってください。曝露の低減のための一般的な処置としては、以下のものがあります：
 - ▶ 十分に換気された領域での作業
 - ▶ 粉じんと長時間の接触の回避
 - ▶ 粉じんを顔や体から遠ざける
 - ▶ 保護服を着用し、水と石鹸で曝露領域を洗浄する
- ▶ 頻繁に休憩を取って、指を動かして血行を良くするように心がけてください。長時間作業の際には、強い振動により指、手あるいは手首の関節の血管あるいは神経系に障害が発生する可能性があります。

電気に関する安全注意事項

- ▶ 作業を開始する前に、作業領域に埋設された電線、ガス管や水道管がないかを調査してください。電線、ガス管あるいは水道管を損傷すると、本製品外側の金属部分での感電事故、あるいは爆発が発生する可能性があります。

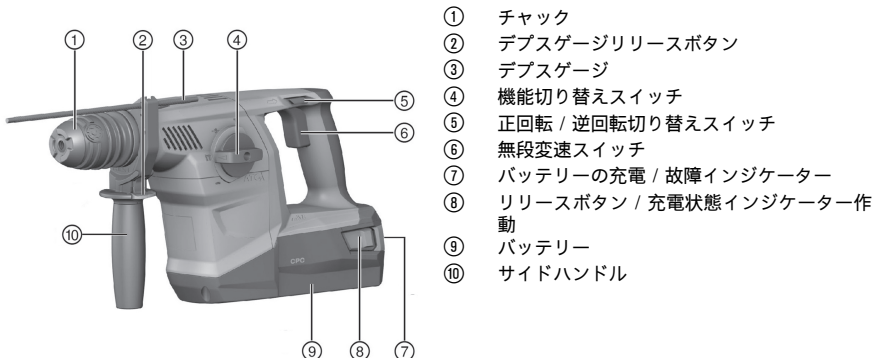
電動工具の慎重な取扱いおよび使用

- ▶ 本製品は停止するまで置かないでください。



3 製品の説明

3.1 製品概要



3.2 正しい使用

本書で説明している製品は、ニューマチック構造の打撃機構を備えた充電式コンビハンマードリルです。本製品は、コンクリート、石材、木材および金属への穿孔作業用の工具です。さらに、本製品は石材への軽度から中程度のハツリ作業、およびコンクリートへの再加工作業に使用できます。

- ▶ 本製品には、必ずHiltiのB 36シリーズのLi-Ionバッテリーを使用してください。
- ▶ これらのバッテリーには、必ずHiltiのC4/36シリーズの充電器を使用してください。

3.3 考えられる誤った使用

- 本製品は、健康を損なう危険のある母材を作業するには適していません。
- 本製品は、湿気の多い環境での作業には適していません。

3.4 ATC

製品は、アクティブトルクコントロールATC (Active Torque Control) を装備しています。先端工具がブロックしたりあるいは噛むと、製品は突然に作業者の操作によらずに反対方向へ回転します。ATCは製品のこの突然の回転動作を検知し、製品を直ちにオフにします。

- 正しく作動するためには製品が回転できる必要があります。
 シャットオフ機能が正常に作動した後は、製品をオフにして再びオンにします。

3.5 モーター保護

本製品はモーター保護を装備しています。モーター保護は入力電流とモーターの過熱をモニターして、本体を加熱から保護します。

接触圧が高すぎてモーターが過負荷になると、本体の出力が著しく低下するか、本体が動作を停止することがあります。

過負荷により停止または回転数の低下が発生した場合は、本体を負荷から解放して約30秒間無負荷回転数で作動させてください。

3.6 Li-Ion バッテリーのインジケーター

Li-Ion バッテリーの充電状態および本体の不具合は、Li-Ion バッテリーのインジケーターにより表示されます。Li-Ion バッテリーの充電状態は、2つのバッテリーリリースボタンのいずれかを押すと表示されます。

状態	意味
4 個の LED が点灯。	充電状態：75 %...100 %
3 個の LED が点灯。	充電状態：50 %...75 %
2 個の LED が点灯。	充電状態：25 %...50 %
1 個の LED が点灯。	充電状態：10 %...25 %



状態	意味
1 個の LED が点滅。	充電状態：< 10 %
1 個の LED が点滅、本体は作動不能状態。	バッテリーが過熱あるいは完全に放電している。
4 個の LED が点滅、本体は作動不能状態。	本体の過負荷あるいは過熱。

i コントロールスイッチの操作中、およびこのスイッチから指を放してから 5 秒が経過するまでの間は、充電状態を確認することはできません。
 バッテリーのインジケータの LED が点滅している場合は、「故障時のヒント」の章の注意事項を確認してください。

3.7 本体標準セット構成

コンビハンマドリル、デプスゲージ付きサイドハンドル、取扱説明書。

i 安全な作動のために、必ず純正のスペアパーツと消耗品を使用してください。本製品向けに弊社が承認したスペアパーツ、消耗品およびアクセサリは、弊社営業担当または最寄りの HILTI センターにお問い合わせいただくか、あるいは www.hilti.com でご確認ください。

4 製品仕様

4.1 製品仕様

	TE 30-A36
定格電圧	36 V
1 回当たりの打撃力 (EPTA プロシージャ 05/2009 に準拠)	3.6 J
重量	5.1 kg

4.2 騒音および振動値について (EN 62841 準拠)

本説明書に記載されているサウンドプレッシャー値および振動値は、規格に準拠した測定方法に基づいて測定したものです。電動工具を比較するのにご使用いただけます。曝露値の暫定的な予測にも適しています。記載されているデータは、電動工具の主要な使用方法に対する値です。電動工具を他の用途で使用したり、異なる先端工具を取り付けて使用したり、手入れや保守が十分でないまま使用した場合には、データが異なることがあります。このような相違により、作業時間全体で曝露値が著しく高くなる可能性があります。

曝露値を正確に予測するためには、電動工具のスイッチをオフにしている時間や、電動工具が作動していても実際には使用していない時間も考慮しなければなりません。このような相違により、作業時間全体で曝露値が著しく低くなる可能性があります。

作業者を騒音および / または振動による作用から保護するために、他にも安全対策を立ててください (例：電動工具および先端工具の手入れや保守、手を冷やさないようにする、作業手順の編成)。

騒音排出値

	TE 30-A36
サウンドパワーレベル (L_{WA})	103 dB
サウンドプレッシャーレベル (L_{pA})	92 dB
サウンドパワー / 騒音レベルの不確実性	3 dB

合計振動値

		TE 30-A36
金属への穿孔 ($a_{h, HD}$)		5 m/s^2
コンクリートへの打撃穿孔 ($a_{h, HD}$)	B 36/5.2	10.3 m/s^2
	B 36/9.0	9.3 m/s^2
ハツリ作業	B 36/5.2	8.5 m/s^2
	B 36/9.0	7.3 m/s^2
不確実性		1.5 m/s^2



5 ご使用方法

5.1 作業準備

警告

負傷の危険 意図しない始動！

- ▶ バッテリーを装着する前に、バッテリーを装着する製品のスイッチがオフになっていることを確認してください。
- ▶ 本体の設定、またはアクセサリーの交換の前にバッテリーを取り外してください。

本書および製品に記載されている安全上の注意と警告表示に注意してください。

5.1.1 バッテリーを装着する

1. ロックの音が聞こえるまでバッテリーを本体ホルダーに装着します。
2. バッテリーがしっかりと装着されていることを確認してください。

5.1.2 バッテリーを取り外す

1. バッテリーのロック解除ボタンを押します。
2. バッテリーを後方へ引き抜きます。

5.1.3 バッテリーを充電する



バッテリーを許可された充電器に装着する前に、バッテリーの表面の汚れを落とし、乾かしてください。充電方法については、充電器の取扱説明書を参照してください。

- ▶ バッテリーは許可された充電器で充電してください。

5.1.4 サイドハンドルを取り付ける

注意

負傷の危険！ 製品のコントロールの喪失。

- ▶ サイドハンドルが正しく取り付けられ、しっかりと固定されていることを確認してください。クランピングバンドが本製品の所定の溝にはまっていることを確認してください。

1. グリップを回してサイドハンドルのクランピングバンドを緩めます。
2. クランピングバンドを前方から取付け用溝のところまでスライドさせてチャックへと取り付けます。
3. サイドハンドルをご希望の位置にします。
4. グリップを回してサイドハンドルのクランピングバンドを張ります。

5.1.5 デブスゲージを調整する(オプション)

1. サイドハンドルのリリースボタンを押します。
2. デブスゲージをご希望の穿孔深さにセットします。
3. リリースボタンから指を放します。
4. サイドハンドルが確実に取り付けられているか点検してください。

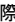
5.1.6 チャックを取り外す

注意

負傷の危険！ 取り付けてあるが使用してはいないデブスゲージにより作業者の作業が妨げられます。

- ▶ 本製品からデブスゲージを取り外します。



チャックを交換する際は、機能切り替えスイッチを「ハツリ」  の位置にしてください。

1. 本体からバッテリーを取り出し、
2. チャックをつかみ、ロックの3個のリングを引き上げます。
3. チャックを上方へ取り外します。



5.1.7 チャックを取り付ける

注意

負傷の危険！ 取り付けてあるが使用してはならないデプスゲージにより作業者の作業が妨げられます。
▶ 本製品からデプスゲージを取り外します。



チャックを交換する際は、機能切り替えスイッチを **T** の位置にしてください。

1. 本体からバッテリーを取り出し、
2. チャックをつかみ、ロックの3個のリングを引き上げます。
3. チャックをホルダーに挿入します。
4. ロックされるまでチャックを回します。

5.1.8 先端工具を装着する

1. 先端工具のコネクションエンドにグリスを軽く塗布します。
 - ▶ 必ずHiltiの純正グリスを使用してください。不適切なグリスを使用すると本体損傷の原因となりますことがあります。
2. 先端工具をチャックのストップ位置まで差し込み、ロックさせます。
3. 装着後に先端工具を引っ張り、ロックされているか確認します。
 - ▶ 製品は作動可能状態です。

5.1.9 先端工具を取り外す

注意

先端工具による負傷の危険！ 先端工具は熱くなっていたり、エッジが鋭くなっている場合があります。
▶ 先端工具を交換する際には保護手袋を着用してください。

- ▶ チャックロックスリーブをストップ位置まで引き戻し、先端工具を取り外します。

5.2 作業

注意

損傷の危険 不正な取扱い！

- ▶ 作動中は、回転方向および / または機能選択用スイッチを操作しないでください。

本書および製品に記載されている安全上の注意と警告表示に注意してください。

5.2.1 機能切り替えスイッチ

- ▶ 機能切り替えスイッチを希望の作業位置にします。
 - ▶ 作動中に機能切り替えスイッチを操作しないでください。**損傷の危険！**

5.2.2 回転のみ

- ▶ 機能切り替えスイッチを の位置にしてください。

5.2.3 回転 + 打撃(打撃穿孔)

- ▶ 機能切り替えスイッチを **T** の位置にしてください。

5.2.4 チゼル角度調整

- ▶ 機能切り替えスイッチを の位置にしてください。
 - ▶ チゼルは12の異なる位置に(30°ステップで)調整することができます。これによってコールドチゼルでもスケーリングチゼルでも、最適の角度で作業できます。

5.2.5 ハツリ作業

- ▶ 機能切り替えスイッチを **T** の位置にしてください。

5.2.6 正逆回転機能

- ▶ 正回転 / 逆回転切り替えスイッチを希望の回転方向に設定します。



6 手入れと保守

警告

バッテリーを装着した状態における負傷の危険！

- ▶ 手入れや保守作業の前に必ずバッテリーを取り外してください！

製品の手入れ

- 付着した汚れを慎重に除去してください。
- 汚れが付着している場合は、通気溝を乾いた柔らかいブラシを使用して慎重に掃除してください。
- 必ず少し湿した布でハウジングを拭いてください。シリコンを含んだ磨き粉はプラスチック部品をいためる可能性があるため使用しないでください。
- 本製品の電気接点を清掃するには、清潔な乾いた布を使用してください。

Li-Ion バッテリーの手入れ

- 通気溝が詰まっているバッテリーは決して使用しないでください。通気溝を乾いた柔らかいブラシを使用して慎重に掃除してください。
- バッテリーを不必要に粉じんや汚れに曝さないようにしてください。バッテリーは、決して高い湿度に曝さないでください(例：水中に沈める、あるいは雨中に放置する)。
- 水分が浸入したバッテリーは、損傷したものと取り扱ってください。そのようなバッテリーは不燃性の容器に隔離し、Hilti サービスセンターにご連絡ください。
- バッテリーには、本製品に使用しているのではないオイルやグリスが付着しないようにしてください。バッテリーに不必要な粉じんあるいは汚れが堆積しないようにしてください。バッテリーは、乾いた柔らかいブラシまたは乾いた布で清掃してください。シリコンを含んだ磨き粉はプラスチック部品をいためる可能性があるため使用しないでください。
バッテリーの電気接点に手を触れないでください、また、工場出荷時に塗布されているグリスを電気接点からぬぐい取らないでください。
- 必ず少し湿した布でハウジングを拭いてください。シリコンを含んだ磨き粉はプラスチック部品をいためる可能性があるため使用しないでください。

保守

- 目視確認可能なすべての部品については損傷の有無を、操作エレメントについては問題なく機能することを定期的に点検してください。
- 損傷および / または機能に問題のある場合は、本製品を使用しないでください。速やかにHilti サービスセンターに本製品の修理を依頼してください。
- 手入れおよび保守作業の後には、すべての安全機構を取り付けて、それらが問題なく作動するか点検してください。



安全な作動のために、必ず純正のスペアパーツと消耗品を使用してください。本製品向けにHilti が承認したスペアパーツ、消耗品およびアクセサリは、弊社営業担当またはHilti Store お問い合わせいただくか、あるいはwww.hilti.group

7 バッテリー式工具およびバッテリーの搬送および保管

搬送

注意

搬送時の予期しない始動！

- ▶ お使いの製品は、必ずバッテリーを装着していない状態で搬送してください！
- ▶ バッテリーを取り外してください。
- ▶ バッテリーは決して梱包しない状態で搬送しないでください。搬送中のバッテリーは、他のバッテリー電極と接触して短絡の原因となることを防ぐために、過大な衝撃や振動から保護し、あらゆる導電性の物体あるいは他のバッテリーから隔離する必要があります。バッテリーの搬送に関する各国(地域)の規則を遵守してください。
- ▶ バッテリーは郵送しないでください。損傷していないバッテリーを送付する場合は、運送業者を手配してください。
- ▶ 使用の前にその都度、また長距離の搬送の前後には、製品とバッテリーに損傷がないか点検してください。



保管上の注意事項



警告

故障したあるいは液漏れしたバッテリーによる予期しない損傷！

- ▶ お使いの製品は、必ずバッテリーを装着していない状態で保管してください！
-
- ▶ 製品とバッテリーは涼しくて乾燥した場所に保管してください。製品仕様に記載されている温度の限界値に注意してください。
 - ▶ バッテリーは充電器内で保管しないでください。充電の後は、必ずバッテリーを充電器から取り出してください。
 - ▶ バッテリーを太陽の直射下、熱源の上、窓際等で保管しないでください。
 - ▶ 製品およびバッテリーは、子供や権限のない人が手を触れることのないようにして保管してください。
 - ▶ 使用前の前にその都度、また長期にわたる保管の前には、製品とバッテリーに損傷がないか点検してください。

8 故障時のヒント

この表に記載されていない、あるいはご自身で解消することのできない故障が発生した場合には、弊社営業担当またはHilti サービスセンターにご連絡ください。

8.1 コンビハンマードリルは作動可能

故障	考えられる原因	解決策
バッテリーの消耗が通常よりも早い。	バッテリーの状態が好ましくない。	▶ バッテリーを交換してください。
バッテリーが「カチッ」と音がするまでロックされない。	バッテリーのロックノッチが汚れている。	▶ ロックノッチを清掃してバッテリーを改めてロックしてください。
コントロールスイッチが押せない、あるいはブロックされている。	正回転 / 逆回転切り替えスイッチが中立位置。	▶ 正回転 / 逆回転切り替えスイッチを右または左へ押してください。
本体スピンドルが回転しない。	コンビハンマードリルの電子回路の作動温度が許容範囲を越えている。	▶ コンビハンマードリルを冷ましてください。
	バッテリーが放電している。	▶ バッテリーを交換し、空のバッテリーを充電してください。
コンビハンマードリルが自動的にオフになる。	過負荷保護機構(スピードレギュレーター)が作動している。	▶ コントロールスイッチから指を放します。コンビハンマードリルを冷ましてください。コントロールスイッチを改めて操作してください。負荷を低減してください。
コンビハンマードリルあるいはバッテリーが熱くなる。	電氣的故障	▶ コンビハンマードリルを直ちにオフにしてください。バッテリーを取り外して点検します。バッテリーを冷ましてください。Hilti サービスセンターに連絡してください。
	コンビハンマードリルの過負荷(適用基準を超えている)。	▶ 用途に適した本体を選択してください。
先端工具をロックから取り出せない。	チャックが完全に引き戻されていない。	▶ チャックロックスリーブをストップ位置まで引き戻し、先端工具を取り外してください。
ドリルビットが切削しない。	コンビハンマードリルが逆回転にセットされている。	▶ 正回転 / 逆回転切り替えスイッチを正回転にしてください。



8.2 コンビハンマードリルは作動不能

故障	考えられる原因	解決策
LED 表示がない。	バッテリーが完全に装着されていない。	▶ バッテリーを「カチッ」と音がするまでロックしてください。
	バッテリーが放電している。	▶ バッテリーを交換し、空のバッテリーを充電してください。
	バッテリーの温度が高すぎる、または低すぎる。	▶ バッテリーを推奨運転温度まで冷やしてください / 暖めてください。
1 個の LED が点滅。	バッテリーが放電している。	▶ バッテリーを交換し、空のバッテリーを充電してください。
	バッテリーの温度が高すぎる、または低すぎる。	▶ バッテリーを推奨運転温度まで冷やしてください / 暖めてください。
4 個の LED が点滅。	コンビハンマードリルの短時間の過負荷。	▶ コントロールスイッチから指を放し、改めてコントロールスイッチを操作してください。
	過熱保護が作動した。	▶ コンビハンマードリルを冷まして、通気溝を清掃してください。

9 廃棄

Hilti 製品の大部分の部品はリサイクル可能です。リサイクル前にそれぞれの部品は分別して回収されなければなりません。多くの国で Hilti は、古い電動工具をリサイクルのために回収しています。詳細については弊社営業担当または Hilti 代理店・販売店にお尋ねください。



- ▶ 電動工具、電子機器およびバッテリーを一般ゴミとして廃棄してはなりません！

10 メーカー保証

- ▶ 保証条件に関するご質問は、最寄りの Hilti 代理店・販売店までお問い合わせください。

오리지널 사용 설명서

1 사용 설명서 관련 정보

1.1 본 사용 설명서에 관하여

- 처음 이 제품을 사용하기 전에 본 사용 설명서를 읽으십시오. 안전하게 작업하고 문제 없이 취급하기 위한 전제가 됩니다.
- 본 사용 설명서 및 제품에 나와 있는 안전상의 주의사항 및 경고 지침에 유의하십시오.
- 항상 제품에 있는 사용 설명서를 잘 보관하고 제품은 반드시 본 사용 설명서와 함께 다른 사람에게 전달하십시오.

1.2 기호 설명

1.2.1 경고사항

본 제품을 다루면서 발생할 수 있는 위험에 대한 경고사항. 다음과 같은 시그널 워드가 사용됩니다.



위험

위험!

- ▶ 이 기호는 직접적인 위험을 표시합니다. 만약 지키지 않으면 심각한 부상을 당하거나 사망할 수도 있습니다.



⚠ 경고

경고!

- ▶ 이 기호는 잠재적인 위험을 표시합니다. 만약 지키지 않으면 심각한 부상을 당하거나 사망할 수도 있습니다.

⚠ 주의

주의!

- ▶ 이 기호는 잠재적인 위험 상황을 표시합니다. 만약 지키지 않으면 부상 또는 물적 손실을 입을 수 있습니다.

1.2.2 사용 설명서에 사용된 기호

본 사용 설명서에서 사용되는 기호는 다음과 같습니다.

	사용 설명서에 유의하십시오
	적용 지침 및 기타 유용한 사용정보
	재사용이 가능한 자재 취급방법
	전기 기기 및 배터리를 일반 가정의 쓰레기처럼 폐기해서는 안 됨
	Hilti 리튬 이온 배터리
	Hilti 충전기

1.2.3 그림에 사용된 기호

다음과 같은 기호가 그림에 사용됩니다.

	이 숫자는 본 사용 설명서 첫 부분에 있는 해당 그림을 나타냅니다.
3	그림에 매겨진 번호는 중요한 작업 순서 또는 작업 순서에 중요한 부품을 나타냅니다. 텍스트에 해당 작업 순서 또는 해당 번호가 매겨진 부품이 강조 표시됩니다(예: (3)).
	항목 번호는 개요 그림에서 사용되며 제품 개요 단락에 나와 있는 기호 설명 번호를 나타냅니다.
	이 표시는 제품을 다룰 때, 특별히 주의할 사항을 나타냅니다.

1.3 제품 관련 기호

1.3.1 제품에 사용된 기호

다음과 같은 제품 기호가 사용됩니다.

	함마링 컷아웃
	타격하여 드릴링(함마드릴링)
	치즐링
	치즐 각도 조정
	정회전/역회전
	직경
n_0	무부하 회전 속도
/min	분당 회전수
	본 제품은 무선 데이터 전송을 지원하며, iOS 및 Android 플랫폼과 호환 가능합니다.
	사용한 Hilti 리튬이온 배터리 모델 시리즈. 규정에 맞는 사용 단원에 제시된 내용에 유의하십시오.



	리튬이온 배터리
	배터리는 절대 타격 공구로 사용해서는 안 됩니다.
	배터리를 떨어뜨리지 마십시오. 타격을 받은 적이 있거나 다른 손상이 있는 배터리는 사용하지 마십시오.

1.4 제품 정보

HILTI 제품은 전문가용으로 설계되어 있으며, 해당 교육을 이수한 공인된 작업자를 통해서만 조작, 유지 보수 및 수리 작업을 진행할 수 있습니다. 이 기술자는 발생할 수 있는 위험에 대해 특별 교육을 받은 상태여야 합니다. 교육을 받지 않은 사람이 제품을 부적절하게 취급하거나 규정에 맞지 않게 사용할 경우에는 기기와 그 보조기구에 의해 부상을 당할 위험이 있습니다.

형식 명칭 및 일련 번호는 형식 라벨에 제시되어 있습니다.

- ▶ 일련 번호를 다음의 표에 옮기십시오. 대리점 또는 서비스 센터에 문의할 경우 제품 제원이 필요합니다.

제품 제원

콤비 해머	TE 30-A36
세대	03
일련 번호	

1.5 적합성 선언

퍼사는 전적으로 책임을 지고 여기에 기술된 제품이 통용되는 기준과 규격에 일치함을 공표합니다. 적합성 증명서 사본은 본 문서 끝 부분에서 확인할 수 있습니다.

기술 문서는 이곳에 기술되어 있습니다.

Hilti Entwicklungsgesellschaft mbH | Zulassung Geräte | Hiltistraße 6 | 86916 Kaufering, DE

2 안전

2.1 전동 공구에 대한 일반적인 안전상의 주의사항

⚠ 경고 해당 전동 공구와 함께 동봉된 모든 안전상의 주의 사항, 지침, 그림 및 기술자료를 숙지하십시오. 다음과 같은 지침 내용을 준수하지 않으면 전기 충격, 화재가 발생하거나 그리고/또는 중상을 입을 수 있습니다. 앞으로 모든 안전상의 주의사항과 지침을 보관하십시오.

안전상의 주의사항에서 사용되는 "전동 공구"라는 개념은 전원에 연결하여 사용하는 전동 공구(전원 케이블 있음) 또는 배터리를 사용하는 전동 공구(전원 케이블 없음)를 의미합니다.

작업장 안전수칙

- ▶ 작업장을 항상 깨끗이 하고 조명이 잘 들도록 하십시오. 어수선한 작업환경 또는 어두운 작업장은 사고를 초래할 수 있습니다.
- ▶ 인화성 액체, 가스 또는 먼지가 있어 폭발 위험이 있는 환경에서는 전동 공구를 사용하지 마십시오. 전동 공구는 먼지나 증기를 적화시킬 수 있는 스파크를 일으킵니다.
- ▶ 전동 공구를 사용할 때, 어린이들이나 다른 사람들이 작업장에 접근하지 못하도록 하십시오. 다른 사람의 방해로 인해 기기를 통제하기 어렵습니다.

전기에 관한 안전수칙

- ▶ 전동 공구의 전원 플러그가 소켓에 잘 끼워져야 합니다. 플러그를 절대 변형시켜서는 안됩니다. 접지된 전동 공구와 함께 아답타 플러그를 사용하지 마십시오. 변형되지 않은 플러그와 적합한 소켓을 사용하면 감전의 위험을 줄일 수 있습니다.
- ▶ 파이프, 히터, 전기레인지, 냉장고와 같은 접지 표면에 신체 접촉을 피하십시오. 신체에 닿을 경우 감전될 위험이 높습니다.
- ▶ 전동 공구가 비에 맞지 않도록 하고 습한 장소에 두지 마십시오. 전동 공구에 물이 들어가면 감전될 위험이 높습니다.
- ▶ 전원 케이블만 잡고 전동 공구를 운반하거나 걸어 놓아서는 안되며, 소켓에서 전원 플러그를 빼낼 때 케이블만 잡은 채로 빼내지 마십시오. 전원 케이블이 열, 오일, 날카로운 모서리 또는 부품의 가동 부위에 접촉하지 않도록 주의하십시오. 손상되거나 서로 꼬인 전원 케이블은 감전 위험을 높입니다.
- ▶ 실외에서 전동 공구를 이용하여 작업할 때, 실외용으로 승인된 연장 케이블만 사용하십시오. 실외용 연장 케이블을 사용하면 감전의 위험을 줄여줍니다.
- ▶ 전동 공구를 습한 환경에서 사용하는 것을 피할 수 없을 경우, 누전 차단기를 사용하십시오. 누전 차단기를 사용하면 감전 위험을 줄일 수 있습니다.



사용자 안전수칙

- ▶ 신중하게 작업하십시오. 작업에 정신을 집중하고 전동 공구를 사용할 때 경솔하게 행동하지 마십시오. 피곤하거나 항정신성 약물, 술 또는 약을 복용시에는 전동 공구를 사용하지 마십시오. 전동 공구 사용 시에 유의하지 않을 경우 심각한 부상을 초래할 수 있습니다.
- ▶ 안전 장비를 갖추고 보안경을 착용하십시오. 전동 공구의 종류와 사용에 따라, 먼지 보호 마스크, 미끄럼 방지용 안전 신발, 안전모 또는 귀마개 등과 같은 안전한 보호장비를 착용하면 부상의 위험을 줄일 수 있습니다.
- ▶ 실수로 기기가 작동하지 않도록 주의하십시오. 전동 공구를 전원 그리고/또는 배터리에 연결하기 전, 보관 또는 운반 전에 전동 공구가 스위치 OFF 상태인지 확인하십시오. 전동 공구 운반 시 스위치에 손가락을 대거나 스위치가 켜진 상태에서 전원을 연결하면 사고를 유발할 수 있습니다.
- ▶ 전동 공구의 스위치를 켜기 전, 조정공구 또는 렌치를 제거하십시오. 기기 회전부에 남아있는 공구나 렌치로 인해 부상을 입을 수 있습니다.
- ▶ 작업 시 비정상적인 자세는 피하십시오. 안전한 작업자세가 되도록 하고, 항상 균형을 유지하십시오. 이렇게 하여 여기저기 많은 상황에서도 전동 공구를 잘 제어할 수 있습니다.
- ▶ 적합한 작업복을 착용하십시오. 헐렁한 복장이나 장식품을 착용하지 마십시오. 작동하는 기기 가동 부위에 머리, 옷 그리고 장갑이 가까이 닿지 않도록 주의하십시오. 헐렁한 복장, 장식품 혹은 긴 머리가 가동 부위에 밀려 들어갈 수 있습니다.
- ▶ 먼지 제거장치나 수거장치를 설치할 수 있는 기기의 경우, 이 장치들이 연결되어 있는지 그리고 제대로 작동되는지를 확인하십시오. 먼지 포집장치 사용은 먼지로 인한 위험을 줄여줄 수 있습니다.
- ▶ 이 전동 공구를 여러번 사용해왔다고 해서 안전하다고 안심하지 말고 전동 공구에 해당되는 안전 규칙을 무시하지 마십시오. 부주의하게 행할 경우 아주 짧은 순간에 중상을 입을 수 있습니다.

전동 공구의 취급과 사용

- ▶ 기기에 과부하가 걸리지 않도록 하십시오. 귀하의 작업에 적합한 전동 공구를 사용하십시오. 적합한 전동 공구를 사용하면, 지정된 성능 한도 내에서 더 효율적으로 안전하게 작업할 수 있습니다.
- ▶ 스위치가 고장난 전동 공구는 사용하지 마십시오. 스위치가 작동되지 않는 전동 공구는 위험하므로, 반드시 수리를 해야 합니다.
- ▶ 기기 세팅을 실행, 액세서리를 교환 또는 기기를 보관하기 전에 컨넥터를 전원소켓에서 그리고/또는 탈착식 배터리를 기기에서 빼놓으십시오. 이러한 조치는 실수로 전동 공구가 작동하지 않도록 방지합니다.
- ▶ 사용하지 않는 전동 공구는 어린이들의 손이 닿지 않는 곳에 보관하십시오. 기기 사용에 익숙치 않거나 또는 이 안전수칙을 읽지 않은 사람이 기기를 사용해서는 안 됩니다. 비숙련자가 전동 공구를 사용하면 위험합니다.
- ▶ 전동 공구 및 액세서리를 유의해서 관리하십시오. 기기의 가동 부위가 완벽하게 작동하는지, 끼어 있지 않은지, 혹은 부품이 손상되거나 파손되어 있어 전동 공구의 기능을 저하시키지 않는지 점검하십시오. 기기 사용 전 손상된 부품을 수리하도록 하십시오. 제대로 관리되지 않은 전동 공구는 많은 사고를 유발합니다.
- ▶ 절단기기는 날카롭고 깨끗하게 관리하십시오. 날카로운 절단면이 있고 잘 관리된 절단기기는 끼이는 경우가 드물고 조절하기도 쉽습니다.
- ▶ 본 지침에 따라 전동 공구, 액세서리, 공구 비트 등을 사용하십시오. 이 때 작업 조건과 실시하려는 작업 내용을 고려하십시오. 원래 사용 분야가 아닌 다른 작업에 전동 공구를 사용할 경우, 위험한 상황을 초래할 수 있습니다.
- ▶ 손잡이 및 손잡이 표면은 건조하고 깨끗하게, 그리고 오일과 그리스가 묻어있지 않도록 해야 합니다. 미끄러운 손잡이 및 손잡이 표면은 예상치 못한 상황에서 전동 공구를 안전하게 조작하고 제어할 수 없습니다.

배터리 공구의 취급과 사용

- ▶ 제조회사가 권장한 충전기에만 배터리를 충전시키십시오. 특정한 형식의 배터리를 사용하도록 규정되어 있는 충전기에 다른 배터리를 사용할 경우 화재 발생의 위험이 있습니다.
- ▶ 전동 공구에 적합하게 규정된 배터리만 사용하십시오. 다른 배터리를 사용하면 부상을 입을 수 있고, 화재가 발생할 수 있습니다.
- ▶ 배터리를 사용하지 않을 경우 클립, 동전, 키, 못, 나사 또는 다른 소형 금속 물질로부터 사용하지 않는 배터리를 멀리 떨어뜨려 놓아주십시오. 배터리 간 단락으로 인한 연소 또는 화재를 초래할 수 있습니다.
- ▶ 잘못 사용할 경우, 배터리로부터 전해액이 흘러나올 수 있습니다. 전해액을 직접 만지지 마십시오. 실수로 만졌을 경우, 물로 씻으십시오. 전해액이 눈에 들어갔으면, 의사와 상담하십시오. 배터리로부터 흘러나온 전해액은 피부를 손상시킬 수 있으며, 화재를 발생시킬 수 있습니다.
- ▶ 손상된 배터리 또는 변경된 배터리를 사용하지 마십시오. 손상된 배터리 또는 변경된 배터리는 예상치 못한 상황 및 화재, 폭발 또는 부상 위험을 초래할 수 있습니다.
- ▶ 배터리에서 불꽃이 발생하거나 또는 배터리가 너무 높은 온도에 노출되지 않게 하십시오. 불꽃 또는 온도가 130 °C (265 °F)를 넘으면 폭발을 일으킬 수 있습니다.
- ▶ 충전에 관한 모든 지침을 준수하여 배터리 또는 배터리 공구를 절대 사용 설명서에 제시된 범위를 벗어난 온도에서 충전하지 마십시오. 잘못 충전하거나 허용된 범위를 벗어난 온도에서 충전하면 배터리가 파손되어 화재 발생 위험이 높아질 수 있습니다.



서비스

- ▶ 전동 공구는 반드시 자격을 갖춘 전문 기술자에 의해 그리고 순정 대체 부품만 이용하여 수리해야 합니다. 이렇게 하여 기기의 안전성을 계속해서 유지할 수 있습니다.
- ▶ 손상된 배터리를 절대 수리하지 마십시오. 배터리 수리는 제조회사 또는 권한을 위임받은 고객 서비스센터에서만 이루어져야 합니다.

2.2 해머에 대한 안전상의 주의사항

모든 작업에 대한 안전상의 주의사항

- ▶ 귀마개를 착용하십시오. 소음은 청각 상실을 유발할 수 있습니다.
- ▶ 기기와 함께 공급된 보조 손잡이를 사용하십시오. 기기를 제어하지 못하면 부상을 입을 수 있습니다.
- ▶ 숨겨진 전선에 공구 비트가 접촉할 수 있는 작업을 실행할 경우, 항상 기기의 절연된 손잡이 부분을 잡으십시오. 전류가 흐르는 전선과 접촉하면 전동공구의 금속 부위를 통해 감전이 될 수도 있습니다.

긴 드릴 사용 시 안전상의 주의 사항

- ▶ 드릴 작업은 항상 낮은 속도로 드릴이 공작물에 닿은 상태로 시작하십시오. 더 높은 속도로 작업하는 경우 드릴이 공작물에 닿지 않은 상태에서 회전하면 쉽게 구부러져 부상을 입을 수 있습니다.
- ▶ 과도한 힘을 가하지 말고 드릴이 작동하는 방향으로만 힘을 가하십시오. 드릴이 휘어져 파손되거나 통제력을 잃어 부상을 유발할 수 있습니다.

2.3 그외 브레이커에 관한 안전상의 주의사항

사용자 안전수칙

- ▶ 기술적 하자가 없는 상태에서만 제품 및 액세서리를 사용하십시오.
- ▶ 어떠한 경우에도 제품 또는 액세서리를 변경하거나 개조하지 마십시오.
- ▶ 천장, 벽 및 바닥 치질링 작업 시 안전하고 단단한 상태인지 확인하십시오. 갑자기 파손이 발생하면 균형을 잃을 수 있습니다!
- ▶ 천공 작업 시, 작업할 부분의 반대편이 안전하게 조치를 취하십시오. 발생하는 분쇄물이 빠져 나오거나 또는 떨어지면서 다른 사람이 부상을 입을 수 있습니다.
- ▶ 사용자와 그 주변에 있는 사람들은 기기를 사용하는 동안 반드시 적합한 보안경, 안전모, 귀마개 그리고 경량 보호 마스크를 착용하십시오.
- ▶ 공구 교체 시 보호장갑을 착용하십시오. 공구 비트에 닿으면 부상을 입거나 화상을 당할 수 있습니다.
- ▶ 보안경을 착용하십시오. 재료의 파편으로 인해 눈 등 신체에 부상을 입을 수 있습니다.
- ▶ 샌딩, 연마, 절단 및 드릴링 작업 시 발생하는 먼지에는 위험한 화학물질이 함유되어 있을 수 있습니다. 예를 들어 납 또는 납 계열의 페인트, 벽돌, 콘크리트 및 기타 조적 벽돌 제품, 자연석 및 기타 실리콘 함유 제품, 참나무, 너도밤나무 및 화학 처리된 목재 등과 같은 특정 목재, 석면 또는 석면이 함유된 자재 등이 있을 수 있습니다. 작업하는 자재의 위험 등급을 따라 조작자 및 주변에 있는 사람들의 노출 정도를 결정하십시오. 안전한 수준에서 노출이 이루어질 수 있도록 예를 들어 먼지 포집장치 사용 또는 적합한 보호 마스크 착용 등 필요한 조치를 취하십시오. 노출을 줄일 수 있는 일반적인 조치:
 - ▶ 환기가 잘 되는 곳에서 작업하기,
 - ▶ 장시간 먼지 접촉 피하기,
 - ▶ 얼굴 및 신체의 먼지를 다른 곳으로 털어내기,
 - ▶ 보호복장 착용 및 노출된 영역을 비누와 물로 세척하기.
- ▶ 손가락의 혈액순환이 잘 되도록 자주 휴식시간을 갖고, 휴식하는 동안 손가락 운동을 하십시오. 장시간 작업하면 강한 진동으로 인해 혈관 장애 또는 손가락, 손 및 손목의 신경 체계에 이상이 있을 수 있습니다.

전기에 관한 안전수칙

- ▶ 작업을 시작하기 전에, 작업장에서 가려져 있거나 덮혀 있는 전기 배선, 가스 파이프 그리고 하수도관이 있는지를 점검하십시오. 전기 배선, 가스 파이프 또는 하수도관을 손상시킨 경우, 제품 바깥쪽에 있는 금속 부품에서 감전 또는 폭발을 유발할 수 있습니다.

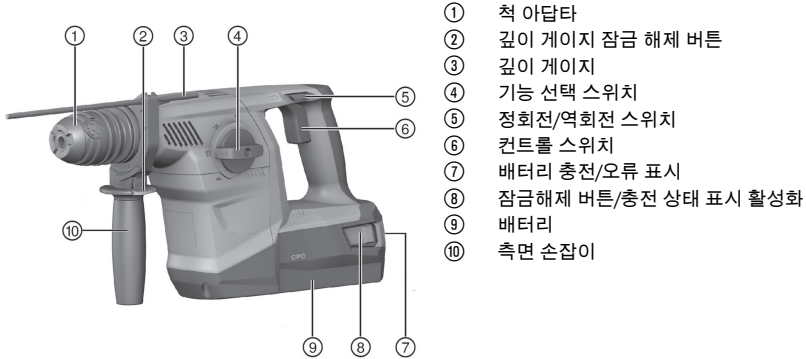
전동 공구의 올바른 사용방법과 취급방법

- ▶ 제품을 내려놓기 전에 제품이 완전히 정지할 때까지 기다리십시오.



3 제품 설명

3.1 제품 개요



- ① 척 아답타
- ② 깊이 게이지 잠금 해제 버튼
- ③ 깊이 게이지
- ④ 기능 선택 스위치
- ⑤ 정회전/역회전 스위치
- ⑥ 컨트롤 스위치
- ⑦ 배터리 충전/유류 표시
- ⑧ 잠금해제 버튼/충전 상태 표시 활성화
- ⑨ 배터리
- ⑩ 측면 손잡이

3.2 규정에 맞는 사용

기술된 제품은 공압식 타격기구를 갖춘 배터리 구동식 콤파비 해머입니다. 이 기기는 콘크리트, 조적벽돌, 목재 및 금속 드릴링 작업에 적합합니다. 더불어 석재에 가벼운 치질링 작업에서부터 중간 정도의 치질링 작업을 할 때, 그리고 콘크리트에서 마무리 작업을 할 때에도 이 제품을 사용할 수 있습니다.

- ▶ 본 제품에는 모델시리즈 B 36의 Hilti 리튬 이온 배터리만 사용하십시오.
- ▶ 이 배터리에는 Hilti 충전기 C4/36 시리즈만 사용하십시오.

3.3 잘못 사용할 수 있는 경우

- 본 제품은 건강에 유해한 물질을 가공하는 데 적합하지 않습니다.
- 본 제품은 습한 환경에서 작업하는 데 적합하지 않습니다.

3.4 ATC

본 제품에는 전자 제어식 급속 차단장치 ATC (Active Torque Control)가 장착되어 있습니다.

공구 비트가 막히거나 또는 끼어 움직이지 않게 되면, 제품은 제어되지 않은 상태에서 갑작스럽게 반대 방향으로 돌아갑니다. ATC는 제품의 이러한 갑작스런 회전 움직임을 감지하고 즉시 제품의 전원을 차단합니다.

- 올바르게 작동하려면 제품이 회전할 수 있어야 합니다.
급속 차단한 후 제품을 깎다가 다시 켜십시오.

3.5 엔진 보호 장치

이 제품에는 엔진 보호 장치가 장착되어 있습니다. 엔진 보호 장치는 전력소비 및 엔진 가열 상태를 감시하고 기기 과열을 방지합니다.

과도한 압착력에 의한 모터 과부하 시 기기의 성능이 눈에 띄게 약화되거나 기기가 정지할 수 있습니다.

과부하로 인해 정지 상태 혹은 속도 감소가 발생할 경우, 부하를 제거하고 기기를 약 30초 동안 공회전 속도로 작동시키십시오.

3.6 리튬 이온 배터리 표시

리튬 이온 배터리의 충전 상태 및 기기의 문제 사항은 리튬 이온 배터리의 표시를 통해 나타납니다. 리튬 이온 배터리의 충전 상태는 배터리 잠금 해제 버튼 둘 중 하나를 누르면 표시됩니다.

상태	의미
4개의 LED가 점등됨.	충전 상태: 75 % ~ 100 %
3개의 LED가 점등됨.	충전 상태: 50 % ~ 75 %
2개의 LED가 점등됨.	충전 상태: 25 % ~ 50 %
1개 LED가 점등됨.	충전 상태: 10 % ~ 25 %



상태	의미
1개 LED가 깜박임.	충전 상태: < 10 %
1개 LED 깜박임, 기기 작동 불가능한 상태.	배터리가 과열 또는 완전히 방전되었음.
4개 LED 깜박임, 기기 작동 불가능한 상태.	공구가 과부하 또는 과열되었음.

i 컨트롤 스위치가 조작된 상태에서 컨트롤 스위치에서 손을 떼 후 5초까지는 충전 상태를 조회해볼 수 없습니다.
 배터리 표시기의 LED가 점멸할 경우, "고장 시 대책" 장의 지침에 유의하십시오.

3.7 공급품목

콤비 해머, 깊이 게이지가 있는 측면 손잡이, 사용 설명서.

i 안전한 사용을 위해서 순정 예비 부품 및 소모품만을 사용하십시오. 해당 제품에 허용되는 예비 부품, 소모품 및 액세서리는 Hilti 서비스 센터 또는 www.hilti.com에서 확인할 수 있습니다.

4 기술 제원

4.1 기술 제원

	TE 30-A36
정격 전압	36V
EPTA-Procedure 05/2009 에 따른 1회 타격 에너지	3.6J
무게	5.1kg

4.2 EN 62841에 따른 소음 정보 및 진동값

이 지침에 제시된 음압 및 진동수준은 표준화된 측정방법에 따라 측정된 것이며, 전동 공구를 서로 비교하기 위한 용도로 사용할 수 있습니다. 음압 및 진동 수준은 노출 정도를 사전에 예측하는 데에도 유용하게 사용될 수 있도록 설계되어 있습니다.

제시된 데이터는 전동 공구의 주된 용도를 나타냅니다. 그러나 전동 공구를 다른 용도로 사용하거나 다른 공구 비트를 사용할 경우 또는 유지보수를 충분히 하지 않은 상태에서는 데이터에 편차가 있을 수 있습니다. 이러한 경우 전 작업시간에 걸쳐 노출이 현저하게 증가할 수 있습니다.

노출을 정확하게 평가하기 위해서는 전동 공구 작동이 멈춰 있거나 또는 작동 중이지만 실제로는 사용하지 않는 시간도 고려해야 합니다. 이러한 경우 전 작업시간에 걸쳐 노출이 현저하게 감소할 수 있습니다.

사용자를 보호하기 위해 음파 그리고/또는 진동이 작용하기 전에 다음과 같은 추가적인 안전 조치를 취하십시오. 전동 공구와 공구 비트의 유지보수, 손을 따뜻하게 유지, 작업순서 정하기 등.

소음 배출값

	TE 30-A36
소음 수준 (L_{WA})	103dB
소음 수준 (L_{pA})	92dB
소음 출력/소음 수준 허용공차	3dB

진동 총 값

	TE 30-A36	
금속에 드릴링 ($a_{h, HD}$)	5m/s ²	
콘크리트에 함마 드릴링 ($a_{h, HD}$)	B 36/5.2	10.3m/s ²
	B 36/9.0	9.3m/s ²
치즐링	B 36/5.2	8.5m/s ²
	B 36/9.0	7.3m/s ²
허용공차	1.5m/s ²	



5 조작

5.1 작업 준비

경고

부상 위험! 돌발적인 작동!

- ▶ 배터리를 끼우기 전에 해당 제품의 전원이 꺼져 있는지 확인하십시오.
- ▶ 기기 설정 또는 액세서리를 교체하기 전에 배터리를 제거하십시오.

본 문서 및 제품에 나와 있는 안전 지침 및 경고 지침에 유의하십시오.

5.1.1 배터리 삽입

1. 잠기는 소리가 들릴 때까지 배터리를 기기 홀더 안에 끼우십시오.
2. 배터리가 정확하게 설치되어 있는지 점검하십시오.

5.1.2 배터리 제거

1. 배터리의 잠금 해제 버튼을 누르십시오.
2. 배터리를 뒤쪽으로 당겨서 빼십시오.

5.1.3 배터리 충전



배터리를 허용되는 충전기에 삽입하기 전에 배터리 외부 표면이 깨끗하고 건조한지 확인하십시오. 충전 시작 전에 충전기 사용설명서를 읽으십시오.

- ▶ 배터리를 허용되는 충전기에서 충전하십시오.

5.1.4 측면 손잡이 장착

주의

부상위험! 제품에 대한 제어력 상실.

- ▶ 측면 손잡이가 정확하게 설치되고 올바르게 고정되어 있는지 확인하십시오. 제품의 지정된 홈에 조임 밴드가 있는지에 확인하십시오.

1. 손잡이를 돌려서 측면 손잡이 홀더(조임 밴드)를 푸십시오.
2. 홀더(조임 밴드)를 앞쪽에서부터 척 아답타 위로 지정된 홈까지 미십시오.
3. 측면 손잡이를 원하는 위치로 설정하십시오.
4. 손잡이를 돌려서 측면 손잡이 홀더(조임 밴드)를 조이십시오.

5.1.5 깊이 게이지(선택사양) 조정

1. 측면 손잡이에서 잠금 해제 버튼을 누르십시오.
2. 깊이 게이지를 원하는 드릴 깊이로 조정하십시오.
3. 잠금 해제 버튼에서 손을 떼십시오.
4. 측면 손잡이가 고정되어 있는지 확인하십시오.

5.1.6 척 아답타 분리

주의

부상위험! 깊이 게이지를 장착만 하고 사용하지 않을 경우 사용자에게 방해가 될 수 있습니다.

- ▶ 깊이 게이지를 제품으로부터 분리하십시오.



척 아답타 교환 시 가능 선택 스위치에서 "치즐링" T 위치를 선택하십시오.

1. 배터리를 기기에서 분리하십시오.
2. 척 아답타 위쪽을 잡고 잠금 장치의 링 3개를 위쪽으로 빼내십시오.
3. 척 아답타를 위쪽으로 빼내십시오.



5.1.7 척 아답타 장착

주의

부상위험! 깊이 게이지를 장착만 하고 사용하지 않을 경우 사용자에게 방해가 될 수 있습니다.

- ▶ 깊이 게이지를 제품으로부터 분리하십시오.



공구 고정/교체 시 기능 선택 스위치에서 **T** 기호를 선택하십시오.

1. 배터리를 기기에서 분리하십시오.
2. 척 아답타 위쪽을 잡고 잠금 장치의 링 3개를 위쪽으로 빼내십시오.
3. 척 아답타를 홀더에 끼우십시오.
4. 척 아답타가 맞물려 고정될 때까지 척 아답타를 돌리십시오.

5.1.8 공구 삽입

1. 드릴 생크식 기기 비트를 가볍게 기름칠하십시오
 - ▶ Hilti의 순정 그리스만 사용하십시오. 적합하지 않은 그리스를 사용하면 제품이 손상될 수 있습니다.
2. 공구 비트를 스톱위치까지 척 아답타에 끼우고 장착하십시오.
3. 장착 후 공구를 잡아 당겨, 제대로 잠겨졌는지를 점검하십시오.
 - ▶ 제품이 작동 가능한 상태입니다.

5.1.9 공구 분리

주의

공구 비트로 인한 부상 위험! 공구 비트가 뜨겁거나 모서리가 날카로울 수 있습니다.

- ▶ 공구 비트 교체 시 보호장갑을 착용하십시오.
- ▶ 공구 잠금장치를 스톱 위치까지 뒤로 당겨 공구 비트를 빼내십시오.

5.2 작업

주의

올바르지 않은 취급으로 인한 손상 위험!

- ▶ 작동 중에는 회전방향 선택 그리고/또는 기능 선택 스위치를 작동하지 마십시오.

본 문서 및 제품에 나와 있는 안전 지침 및 경고 지침에 유의하십시오.

5.2.1 기능 선택 스위치

- ▶ 기능 선택 스위치를 각각 원하는 작업 위치에 두십시오.
 - ▶ 작동 중에는 기능 선택 스위치를 작동시키지 마십시오. 손상 위험!

5.2.2 함마링 컷아웃

- ▶ 기능 선택 스위치를 기호에 두십시오.

5.2.3 타격하여 드릴링(함마드릴링)

- ▶ 기능 선택 스위치를 기호에 두십시오.

5.2.4 치출 각도 조정

- ▶ 기능 선택 스위치를 기호에 두십시오.
 - ▶ 치출 각도를 12가지의 다양한 위치 (30° 단계)로 로크시킬 수 있습니다. 이를 통해 평치줄과 성형 치줄을 항상 최적의 작업위치에서 작동시킬 수 있습니다.

5.2.5 치줄링

- ▶ 기능 선택 스위치를 **T** 기호에 두십시오.

5.2.6 정회전/역회전

- ▶ 정회전/역회전 스위치를 원하는 회전 방향으로 설정하십시오.



6 관리 및 유지보수

경고

배터리가 끼워진 상태에서 부상 위험!

- ▶ 관리 및 수리 작업을 진행하기 전에 항상 배터리를 제거하십시오!

제품 관리

- 공구에 부착되어 있는 오염물질을 조심스럽게 제거하십시오.
- 오염물질이 있는 경우, 부드러운 마른 솔로 환기 슬롯을 조심스럽게 청소하십시오.
- 약간 물기가 있는 수건으로만 하우징을 청소해 주십시오. 플라스틱 부품을 손상시킬 수 있으므로 절대로 실리콘이 함유된 보호제를 사용하지 마십시오.
- 제품의 접점을 청소하려면 깨끗하고 마른 천을 사용하십시오.

리튬 이온 배터리 관리

- 환기 슬롯이 막힌 상태에서는 절대 배터리를 사용하지 마십시오. 부드러운 마른 솔로 환기 슬롯을 조심스럽게 청소하십시오.
- 배터리가 불필요하게 먼지 또는 오염물에 노출되지 않도록 하십시오. 배터리를 절대 습도가 높은 곳에 두지 마십시오(예: 물 속에 담거나 비내리는 곳에 두는 행위).
- 배터리에 물이 들어가면, 손상된 배터리처럼 취급하십시오. 물이 들어간 배터리는 비가연성 용기에서 절연시킨 후, **Hilti** 서비스 센터에 문의해 주십시오.
- 배터리를 외부 오일 및 그리스가 묻지 않도록 깨끗하게 유지하십시오. 배터리에 불필요하게 먼지 또는 오염물이 쌓이지 않도록 하십시오. 배터리를 부드러운 마른 솔 또는 깨끗하고 마른 걸레로 닦아내십시오. 플라스틱 부품을 손상시킬 수 있으므로 절대로 실리콘이 함유된 보호제를 사용하지 마십시오.
- 배터리의 접점에 접촉하지 말고, 접점에서 공구축에 부착된 그리스를 제거하지 마십시오.
- 약간 물기가 있는 수건으로만 하우징을 청소해 주십시오. 플라스틱 부품을 손상시킬 수 있으므로 절대로 실리콘이 함유된 보호제를 사용하지 마십시오.

유지보수

- 눈에 보이는 모든 부품은 정기적으로 손상 여부를 점검하고, 조작요소가 문제 없이 작동하는지 점검하십시오.
- 손상되었거나 기능 장애가 있는 경우에는 제품을 작동하지 마십시오. 즉시 **Hilti** 서비스 센터에 제품 수리를 의뢰하십시오.
- 관리 및 수리 작업 후 모든 보호장치를 가져와 기능이 이상인 없는지 점검하십시오.



안전하게 작동하기 위해서는 순정품 예비 부품 및 소모품만 사용하십시오. **Hilti**에서 승인한 예비 부품, 소모품 및 액세서리는 **Hilti Store** 또는 www.hilti.group에서 확인할 수 있습니다.

7 충전식 공구 및 배터리 운반 및 보관

운반

주의

운반 시 돌발적으로 작동됨!

- ▶ 제품은 항상 배터리를 장착하지 않은 상태로 운반하십시오!

- ▶ 배터리를 분리하십시오.
- ▶ 배터리를 고정하지 않은 채로 운반해서는 절대 안 됩니다. 운반하는 도중 배터리에 과도한 충격을 받거나 진동이 발생하지 않게 하고 모든 전도성 소재 또는 다른 배터리로부터 분리시켜 다른 배터리 전극에 닿지 않고 단락이 발생하지 않게 하십시오. 배터리와 관련된 현지 운반 규정에 유의하십시오.
- ▶ 배터리는 우편을 통해 전달할 수 없습니다. 손상이 없는 배터리를 전송하고자 하는 경우 배송업체에 문의하십시오.
- ▶ 제품 및 배터리를 사용하기 전에 그리고 장시간 운반한 후에는 항상 손상 여부를 점검하십시오.

보관

경고

배터리 결함 또는 방전으로 인한 돌발적인 손상!

- ▶ 제품은 항상 배터리를 장착하지 않은 상태로 보관하십시오!

- ▶ 제품 및 배터리를 냉각 및 건조시켜 보관하십시오. 기술자료에 제시된 허용 온도 한계값에 유의하십시오.
- ▶ 배터리를 충전기에 보관하지 마십시오. 충전 후에는 항상 배터리를 충전기에서 분리하십시오.
- ▶ 배터리는 절대 직사광선이 들어오는 곳, 열원 위 또는 유리 뒤쪽에 보관하지 마십시오.
- ▶ 제품 및 배터리는 건조한 상태로 어린이나 외부인의 손이 닿지 않는 곳에 보관하십시오.



▶ 제품 및 배터리를 사용하기 전에 그리고 장시간 보관한 후에는 항상 손상 여부를 점검하십시오.

8 문제 발생 시 도움말

본 도표에 제시되어 있지 않거나 스스로 해결할 수 없는 문제가 발생한 경우 Hilti 서비스 센터에 문의해 주십시오.

8.1 콤비 해머 작동이 가능합니다.

장애	예상되는 원인	해결책
배터리가 평소보다 빨리 방전됨.	배터리 상태가 최적이 아님.	▶ 배터리를 교체하십시오.
배터리를 밀어 넣을 때 "찰칵"하는 소리가 들리지 않음.	배터리 래치 오염됨.	▶ 배터리 래치를 청소하고 배터리를 다시 끼우십시오.
컨트롤 스위치를 누를 수가 없음 또는 블로킹됨.	정회전/역회전 스위치가 중간위치에 있음.	▶ 정회전/역회전 스위치를 좌측 또는 우측으로 누르십시오.
기기 스프링들이 회전하지 않음.	콤비 해머 전자장치에서 허용되는 작동 온도를 초과함.	▶ 콤비 해머를 냉각시키십시오.
	배터리를 방전시키십시오.	▶ 배터리를 교체하고 방전된 배터리를 충전하십시오.
콤비 해머가 자동으로 꺼지지 않음.	과부하 방지 기능 작동됨.	▶ 컨트롤 스위치에서 손을 떼십시오. 콤비 해머를 냉각시키십시오. 컨트롤 스위치를 조작하십시오. 기기 부하를 줄이십시오.
콤비 해머 또는 배터리에서 과도한 열 발생.	전기적 결함	▶ 콤비 해머의 전원을 끄십시오. 배터리를 제거한 후 배터리를 관찰하십시오. 배터리를 냉각시키십시오. Hilti 서비스센터에 문의하십시오.
	콤비 해머 과부하(사용 한계 초과).	▶ 용도에 적합한 기기를 선택하십시오.
드릴 비트가 잠금상태에서 풀리지 않음.	척 아답타를 완전히 뒤로 당기지 않았음.	▶ 공구 잠금장치를 스톱 위치까지 뒤로 당겨 공구를 빼내십시오.
드릴이 움직이지 않음.	콤비 해머가 역회전 위치에 맞추어져 있음.	▶ 정회전/역회전 스위치를 '정회전' 위치로 전환하십시오.

8.2 콤비 해머를 작동할 수 없습니다.

장애	예상되는 원인	해결책
LED가 아무것도 나타내지 않음.	배터리가 완전하게 삽입되지 않음.	▶ "찰칵"하는 소리가 들릴 때까지 배터리를 맞물려 고정시키십시오.
	배터리를 방전시키십시오.	▶ 배터리를 교체하고 방전된 배터리를 충전하십시오.
	배터리 과열 또는 과냉 상태.	▶ 배터리를 권장된 작동온도 상태로 유지합니다.
1개의 LED가 깜박임.	배터리를 방전시키십시오.	▶ 배터리를 교체하고 방전된 배터리를 충전하십시오.
	배터리 과열 또는 과냉 상태.	▶ 배터리를 권장된 작동온도 상태로 유지합니다.
4개 LED가 깜박임.	콤비 해머가 잠깐 동안 과부하됨.	▶ 컨트롤 스위치에서 손을 떼고 스위치를 다시 조작하십시오.
	과열 방지 조치.	▶ 콤비 해머를 냉각시키고 환기 슬롯을 청소하십시오.



9 폐기

Hilti 기기는 대부분 재사용이 가능한 소재로 제작되었습니다. 재활용을 위해 개별 부품을 분리하여 주십시오. Hilti는 대부분의 국가에서 재활용을 위해 노후기기를 수거해 갑니다. Hilti 고객 서비스센터 또는 판매 상담자에게 문의하십시오.



- ▶ 전동 공구, 전자식 기기 및 배터리를 일반 가정 쓰레기로 폐기하지 마십시오!

10 제조회사 보증

- ▶ 보증 조건에 관한 질문사항은 현지 Hilti 파트너사에 문의하십시오.

原始操作說明

1 關於操作說明的資訊

1.1 關於此文件

- 初次使用前，請詳讀本操作說明。這是安全作業和使用無虞的先決條件。
- 請遵守本操作說明中與產品上的安全說明和警告。
- 操作說明應與產品一起保管，產品交予他人時務必連同本操作說明一併轉交。

僅適用於台灣

進口商: 喜利得股份有限公司

地址: 新北市板橋區

新站路16號24樓22041

電話: 0800-221-036

1.2 已使用的符號解釋

1.2.1 警告

警告您在操作或使用本產品時可能發生之危險。採用了以下標示文字：



危險

危險！

- ▶ 此標語警示會發生對人造成嚴重傷害甚至致死的危險情形。



警告

警告！

- ▶ 此標語警示會造成嚴重傷害甚至致死危險的潛在威脅。



注意

注意！

- ▶ 請小心會造成人員受傷或對設備及其他財產造成損害的潛在危險情況。

1.2.2 操作說明中的符號

本操作說明中採用以下符號：



請遵照操作說明



使用說明與其他資訊



處理可回收的材料



不可將電子設備與電池當作家庭廢棄物處置



Hilti 鋰電池



2173712

繁體中文

145



Hilti 充電器

1.2.3 圖解中的符號

圖解中採用了以下符號：

	號碼對應操作說明的開始處的圖解。
3	圖解中的編號表示重要的工作步驟或對工作步驟重要的元件。在文字中，這些工作步驟或元件以對應的數字明顯顯示，例如(3)。
	概覽圖解中使用位置編號，方便您對應到產品概覽段落中的圖例編號。
	本符號是為了讓您在操作本產品時可以注意某些重點。

1.3 產品專屬符號

1.3.1 產品上的符號

產品上採用下列符號：

	無鎚擊鑽孔
	以鎚擊動作進行鑽孔（鎚擊鑽孔）
	鑿孔
	定位鑿子
	正轉 / 逆轉
	直徑
n_0	無負載下額定轉速
/min	每分鐘轉數
	本產品支援相容於iOS及Android平台的無線資料傳輸。
	使用Hilti鋰電池類型系列。請遵守預期用途一節所提供之資訊。
Li-Ion	鋰電池
	請勿將電池使用作為敲擊工具。
	避免電池掉落。不得使用遭受衝擊或其他原因遭成損壞的電池。

1.4 產品資訊

產品是針對專業使用者設計，故僅經訓練、認可的人員可操作、維修與維護本產品。必須告知上述人員關於可能遭遇到的特殊危險。若因未經訓練人員操作錯誤或未依照其原本的用途操作，則本產品和它的輔助工具設備有可能會發生危險。

類型名稱和序號都標示於額定銘牌上。

- 在下方表格中填入序號。與Hilti維修中心或當地Hilti機關聯絡查詢產品相關事宜時，我們需要您提供產品詳細資訊。

產品資訊

鑽鑿兩用電鎚鑽	TE 30-A36
產品代別	03
序號	



1.5 符合聲明

基於我們唯一的責任，本公司在此聲明本產品符合適用的指示或標準。本文件結尾處有符合聲明之副本。技術文件已歸檔：

Hilti Entwicklungsgesellschaft mbH | Tool Certification | Hiltistrasse 6 | 86916 Kaufering, Germany

2 安全性

2.1 一般電動機具安全警告

⚠ 警告 請詳閱本電動機具提供的所有安全警告、指示、圖解和說明。未能遵守以下所有指示可能會造成電擊事故、火災和 / 或嚴重的傷害。

妥善保存所有警告及說明，以供將來參考。

注意事項中的「機具」係指使用電源（有線）或電池（無線）的電動機具。

工作區域安全

- ▶ 請保持工作區的清潔與採光充足。雜亂而昏暗的工作區會導致意外發生。
- ▶ 勿在容易發生爆炸的環境中使用機具，例如有可燃性液體、瓦斯或粉塵存在的環境。機具產生的火花可能會引燃塵埃或煙霧。
- ▶ 操作機具時，請與兒童及旁人保持距離。注意力不集中時容易發生失控的情形。

電力安全

- ▶ 機具插頭與插座須能互相搭配。勿以任何方式改裝插頭。勿將任何變壓器插頭和與地面接觸（接地）的電動機具搭配使用。未經改裝的插頭以及能互相搭配的插座可減少發生電擊的危險。
- ▶ 避免讓身體接觸到如管線、散熱器、爐灶與冰箱等與土地或地表接觸之物品。如果您的身體接觸到地表或地面，將增加電擊的危險。
- ▶ 請勿將機具暴露在下雨或潮濕的環境中。若水氣進入機具中將增加觸電的危險。
- ▶ 勿濫用電纜線。勿以電纜線吊掛、拖拉機具或拔下機具插頭。電纜線應避開熱氣、油、銳利的邊緣或移動性零件。電纜線損壞或纏繞會增加發生電擊事故的危險。
- ▶ 於室外操作機具時，須使用適用於戶外的延長線。使用適合戶外使用的延長線可降低觸電的風險。
- ▶ 如果無法避免在潮濕的地點操作機具，請使用漏電斷路器（RCD）保護電源供應器。使用漏電斷路器（RCD）可降低電擊的風險。

人員安全

- ▶ 操作機具時，請提高警覺，注意進行中的工作並善用常識。感到疲勞或受到藥物、酒精或治療的影響時勿使用機具。操作機具時稍不留神就可能造成嚴重的人員傷亡。
- ▶ 穿戴個人防護裝備。請隨時穿戴眼罩。適當使用防塵面罩、防滑鞋、安全帽及耳罩等安全防護配備可減少人員的傷害。
- ▶ 避免不經意的啟動。在接上電源或電池組、抬起或攜帶機具之前，務必確認開關處於關閉的位置。攜帶機具時，如果把手指放在開關上，或在開關開啟時，將機具插上插頭容易發生意外。
- ▶ 啟動機具前，應將所有調整鑰匙或扳手移開。將扳手或鑰匙留在機具的旋轉零件中可能會造成人員傷害。
- ▶ 勿將手伸出過遠。隨時站穩並維持平衡。這可讓您在意外情況發生時，對機具有較好的控制。
- ▶ 穿著適當服裝。請勿穿著寬鬆的衣服或佩戴珠寶。頭髮、衣服與手套應遠離移動性零件。移動性零件可能會夾到寬鬆的衣服、珠寶或長髮。
- ▶ 如果機具可連接吸塵裝置與集塵設備，請連接並適當使用這些設備。使用集塵裝置可降低與粉塵有關的危險。
- ▶ 請勿因頻繁而習慣使用機具便疏於遵守或忽略機具的安全規範。草率使用可能在轉眼間便造成嚴重的傷害。

機具使用與保養

- ▶ 不可強制使用機具。依據用途使用正確的機具。根據設計的速率使用機具可更快速安全地完成工作。
- ▶ 若開關無法啟動或關閉電動工具時，請勿使用電動工具。任何無法以開關控制的機具都很危險且需要維修。
- ▶ 在進行任何調整、更換配件、或貯放電動機具前，請先將插頭拔離插座和 / 或將電池組自電動機具卸下（如可拆卸）。此預防安全措施可降低機具意外啟動的風險。
- ▶ 將閒置的機具貯放在兒童拿不到的地方，勿讓不熟悉或未詳閱本說明的人員操作本機具。機具在未經訓練的使用者手中是很危險的。
- ▶ 維護機具與配件。請檢查移動性零件有無偏移或黏合的情形、零件有無破損，以及任何會影響機具運轉的狀況。如果機具受損，請先維修後再使用。很多意外便是由維護不當的機具造成的。
- ▶ 保持切割機具的銳利與清潔。具銳利切割邊緣的切割機具如果得到適當的維護，便較不會發生黏合的現象，且較容易控制。



- ▶ 遵守本指示說明使用機具、配件和工具組等，並考量工作條件與待進行的工作。將機具用在原目的之外用途可能會造成危險。
- ▶ 保持握把與其表面的乾燥、清潔且不要讓上面出現油漬。握把及其表面濕滑會在意外情況中造成機具無法安全掌控。

電池機具的使用與保養

- ▶ 務必使用原廠指定的充電器進行充電。將適合特定類型電池的充電器使用在其他電池時，會有造成火災的危險。
- ▶ 務必使用機具特別指定的電池匣。使用其他的電池匣可能會造成受傷或火災。
- ▶ 電池匣未使用時，請將其遠離如迴紋針、錢幣、鑰匙、針、固定釘或其他會在電池兩極間形成連結的小型金屬物件。在電池兩極間建立短路可能會造成灼傷或火災。
- ▶ 若使用不當，可能會有液體由電池流出；請避免接觸該液體。若不慎接觸，請以清水沖洗。如果不小心讓液體接觸到眼睛，請立即尋求醫療援助。從電池中滲出的液體，可能會導致過敏或灼傷。
- ▶ 請勿使用損壞或改裝過的電池組或機具。受損或改裝過的電池可能會無法正常運作而造成起火、爆炸或受傷的風險。
- ▶ 請勿將電池組或機具曝露在火源或極端的溫度環境中。曝露在火源或溫度超過130°C (265°F) 的環境下可能會造成爆炸。
- ▶ 請遵守充電操作說明且不要在說明所載的溫度範圍之外為電池組或機具充電。不當充電或在指定溫度範圍外充電均可能造成電池損壞並提高起火的風險。

維修服務

- ▶ 請將機具交給合格的維修人員進行維修，並使用相同的替代零件。這可確保維護機具安全。
- ▶ 請勿自行維修損壞的電池。損壞的電池僅可由製造商或授權的維修商進行維修。

2.2 電錘的安全注意事項

各種工作的安全操作說明

- ▶ 請配戴耳罩。暴露於噪音環境下會導致聽力受損。
- ▶ 請使用機具輔助握把。機具失控可能會導致人員受傷。
- ▶ 在執行配件工具可能會接觸到隱藏線路之工作時，請以握住絕緣握把的方式手持機具。若配件工具與帶電線路接觸，機具的金屬零件也會通電，而造成觸電的情況。

使用長鑽頭的安全操作說明

- ▶ 請務必讓鑽頭在接觸工件的狀態下以低速開始鑽孔。在未與工件接觸的情況下，若鑽頭以高於其最大允許轉速的速度旋轉，可能會發生輕微的曲度，這可能會導致人員受傷。
- ▶ 請勿對鑽頭施加過大的壓力，僅能沿著鑽頭的縱向軸施加壓力。鑽頭可能會彎曲並隨後破裂或導致失控，進而造成人員傷害。

2.3 鑿破機的其他安全操作說明

人員安全

- ▶ 僅在本產品和配件能正常運轉時使用。
- ▶ 勿嘗試以任何方式改裝產品或配件。
- ▶ 往天花板、牆面及地板鑿孔時，請務必確認您有安全且堅固的站立點。若突然鑿穿會影響您的平衡！
- ▶ 若工作包含鑿穿作業，請於工件另一面一併採取適當的防護措施。鑿穿的碎片會掉落和 / 或造成他人受傷。
- ▶ 機具運轉時，您與附近的所有人都必須配戴合適的護目鏡及安全帽、聽力保護耳罩和呼吸保護口罩。
- ▶ 更換配件工具時，請穿戴防護手套。觸摸配件工具會造成割傷或灼傷。
- ▶ 穿戴護目鏡。飛散的碎片會傷到人體或眼睛。
- ▶ 研磨、切割和鑽孔時產生的粉塵可能含有危險的化學物質。例如：鉛或以鉛為基底的顏料；磚塊、混凝土和其他建材產品、天然石材和其他含矽酸鹽的產品；橡木、山毛櫸等特定木材以及化學處理的木材；石棉或含有石棉的物質。根據操作員工作時接觸的物質危險等級來決定操作員和其他人員暴露在該環境的程度。採取必要的措施，以將暴露相關條件維持在安全等級上，例如：使用吸塵系統或配戴合適的防護面罩。降低在該環境下的暴露程度的一般措施包括：
 - ▶ 工作區域保持良好通風
 - ▶ 避免長時間接觸粉塵
 - ▶ 清除臉部和身體上的粉塵
 - ▶ 穿著防護衣，用水和肥皂清洗裸露在外的身體部位
- ▶ 請經常休息，並活動您的手指以促進血液循環。長時間暴露在劇烈震動下會造成手指、手掌和手腕的血管或神經系統失調。



電力安全

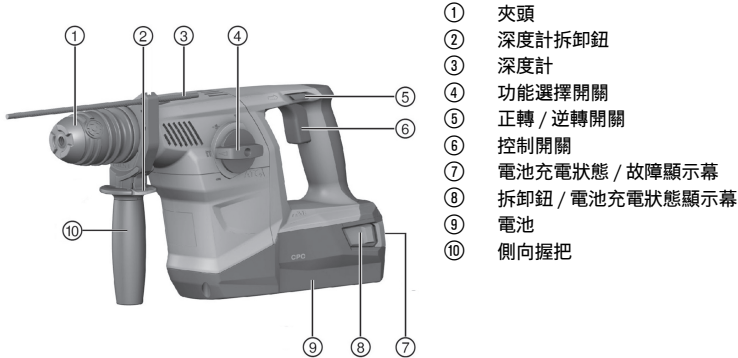
- ▶ 開始工作前，請先檢查工作區域是否有隱藏的電纜線、瓦斯管或水管。電線、天然氣管線或水管若損壞，本產品外側上的金屬零件可能導致觸電或爆炸。

小心處理與使用電子機具

- ▶ 請等候本產品完全靜止再將其放下。

3 說明

3.1 產品總覽



3.2 用途

本產品係具氣動鎚擊機制的充電式（電池動力）鑿擊兩用電鎚鑽。適用於混凝土、石材、木材和金屬。亦可於石材上進行輕至中負載的鑿孔及於混凝土上進行表面拋光作業。

- ▶ 本產品限使用B 36系列Hilti鋰電池。
- ▶ 以上電池限使用C4/36系列Hilti電池充電器。

3.3 可能發生的誤用

- 本產品不適合用於金屬相關作業。
- 本產品不適合在潮濕環境下作業。

3.4 主動扭力控制 (ATC)

本產品配備主動扭力控制 (ATC, Active Torque Control) 快速斷電系統。

若配件工具卡住或空轉時，產品會突然朝自身軸的反方向轉動。ATC會偵測到產品突然旋轉的動作，並且立刻關閉產品。

- 為了讓ATC可以正常運作，產品本身不能旋轉。
- 在ATC斷電後，請關閉產品再開啟。

3.5 馬達保護系統

本機具備馬達保護系統。此系統可監控電流輸入與馬達溫度，進而避免機具過熱。

如果馬達壓力過載，機具效能會明顯下降或完全停住。

如果機具空轉或是因過載造成轉速大幅降低，請鬆開所施加的壓力，讓它在無負載下運轉約30秒。

3.6 鋰電池電量顯示

鋰電池上的顯示幕會表示鋰電池的充電狀態和機具的功能故障。按下兩個電池拆卸鈕的其中一個後，將會顯示鋰電池的充電狀態。

狀態	意義
4個LED亮起。	充電狀態：75 %至100 %



狀態	意義
3個LED亮起。	充電狀態：50 %至75 %
2個LED亮起。	充電狀態：25 %至50 %
1個LED亮起。	充電狀態：10 %至25 %
1個LED閃爍。	充電狀態：< 10 %
1個LED閃爍，表示機具不可使用。	電池過熱或已完全放電。
4個LED閃爍，表示機具不可使用。	機具已過載或過熱。

i 按下控制開關然後放開控制開關超過5秒後，將無法顯示電池充電狀態。
若電池充電狀態LED燈閃爍，請遵守「故障排除」章節所提供的指示。

3.7 配備及數量

鑿鑿兩用電鎚鑽、附深度計的側向握把、操作說明。

i 為確保操作的安全及可靠性，請務必使用原廠Hilti備件與耗材。您可以在Hilti維修中心或網站：
www.hilti.com選購Hilti認可的備件、耗材和配件。

4 技術資料

4.1 技術資料

	TE 30-A36
額定電壓	36 V
單次衝擊力 (依據EPTA程序05/2009)	3.6 J
重量	5.1 kg

4.2 噪音資訊和震動值 (依據EN 62841)

操作說明中所提供之音壓和震動值已參照標準測量，並可用來比較不同機具之噪音。它們也可作為噪音量的初步評估。

提供之資料表示機具主要應用時之數值。若機具應用於不同之用途，搭配不同的配件工具或在保養不良的情況下，其數據會有所不同。在作業過程中，這會大幅提高其噪音量。

當電子機具關閉，或開啟但未進行任何作業時也應列入考量，才能準確評估噪音量。在作業過程中，這會大幅降低其噪音量。

確認其他安全措施，以保護操作員不受噪音和 / 或震動影響，例如：保養機具與其配件工具、操作前保持雙手溫暖、作業型式之安排等。

噪音強度

	TE 30-A36
聲功率級數 (L_{WA})	103 dB
音壓級數 (L_{pA})	92 dB
無法判定的聲功率級數	3 dB

總振動值

	TE 30-A36	
金屬鑽孔 ($a_{h, HD}$)	5 m/s ²	
混凝土鎚擊鑽孔 ($a_{h, HD}$)	B 36/5.2	10.3 m/s ²
	B 36/9.0	9.3 m/s ²
鑿孔	B 36/5.2	8.5 m/s ²
	B 36/9.0	7.3 m/s ²
無法判定	1.5 m/s ²	



5 操作

5.1 工作場所的準備工作

警告

有受傷的風險！因意外啟動

- ▶ 置入電池前，請確認產品已關閉。
- ▶ 在調整機具或變更配件前請先將電池拆下。

請遵守本文件中與產品上的安全說明和警告。

5.1.1 置入電池

1. 將電池裝入電池托盤，直到聽見咬合時發出的喀啦聲。
2. 請檢查電池是否安裝牢固。

5.1.2 卸下電池

1. 按下電池上的兩顆拆卸鈕。
2. 將電池向後方取出。

5.1.3 電池充電



將電池置入經認可的充電器前，須確認電池外部是否清潔且乾燥。
閱讀充電器操作說明，取得更多關於充電程序的資訊。

- ▶ 請使用經認可的充電器對電池充電。

5.1.4 安裝側向握把

注意

有受傷的危險！本產品失控。

- ▶ 檢查側向握把是否正確安裝且緊固。檢查夾緊帶是否與本產品的溝槽咬合。

1. 旋轉握把以鬆開側向握把夾緊帶。
2. 將側向握把夾緊帶由前方繞過夾頭，然後推入提供的凹槽中。
3. 將側向握把調整至所需的位置。
4. 旋轉握把以鎖緊側向握把夾緊帶。

5.1.5 調整深度計（選配）

1. 按下側向握把上的拆卸鈕。
2. 將深度計調整至需要的鑽孔深度。
3. 鬆開拆卸鈕。
4. 請檢查側向握把是否連接穩固。

5.1.6 移除夾頭

注意

有受傷的危險！深度計（若有安裝但未使用）可能會阻礙操作。

- ▶ 請將深度計自產品卸下。



將功能選擇開關設定為 **T** 「鑿孔」位置以變更夾頭。

1. 請將電池自充電器卸下。
2. 請參考圖示握住夾頭，然後將三個夾頭釋放環向上拉。
3. 往上拉起夾頭，使其脫離機具。




5.1.7 安裝夾頭

注意

有受傷的危險！深度計（若有安裝但未使用）可能會阻礙操作。

- ▶ 請將深度計自產品卸下。



更換夾頭時，請將功能選擇開關設定至此位置：

1. 請將電池自充電器卸下。
2. 請參考圖示握住夾頭，然後將三個夾頭釋放環向上拉。
3. 將夾頭固定在夾頭座上。
4. 旋轉夾頭直到咬合至定位。

5.1.8 安裝機具

1. 在配件工具的連接頭稍微上點潤滑劑。
 - ▶ 務必使用原廠Hilti潤滑劑。使用錯誤的油脂會造成機具損壞。
2. 盡可能將配件推入夾具內，直到咬合為止。
3. 裝上配件工具後，請將其抓住並拉動以確認是否已咬合至定位。
 - ▶ 產品已可以使用。

5.1.9 卸下配件工具

注意

配件工具造成受傷的危險！配件可能會非常燙或是有尖銳的邊緣。

- ▶ 請在更換配件時戴上防護手套。
- ▶ 將夾頭拉回直到移除配件工具為止。

5.2 工作類型

注意

操作錯誤會有導致 損壞的危險！


- ▶ 操作時，請勿使用旋轉方向和 / 或功能選擇開關。

請遵守本文件中與產品上的安全說明和警告。


5.2.1 功能選擇開關

- ▶ 將功能選擇開關設定至所需的工作位置。
 - ▶ 馬達運轉時，請勿操作功能選擇開關。有損壞的危險！

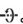
5.2.2 無鎚擊鑽孔

- ▶ 將功能選擇開關設定至本符號：

5.2.3 以鎚擊動作進行鑽孔（鎚擊鑽孔）

- ▶ 將功能選擇開關設定至本符號：

5.2.4 鑿子定位

- ▶ 將功能選擇開關設定至本符號：
- ▶ 鑿子可調整在12段不同檔位（每30°一段）。這可確保扁鑿和各形狀鑿子可以設定在最佳操作位置。

5.2.5 鑿孔

- ▶ 將功能選擇開關設定至本符號：

5.2.6 正轉 / 逆轉

- ▶ 將正轉 / 逆轉開關設定至需要的旋轉方向。



6 維護及保養

警告

電池裝入時有受傷的危險！

- ▶ 進行維護及保養前，請務必卸下電池！

產品保養

- 小心地清除頑強的髒污。
- 若有，請使用乾燥的軟刷子小心地清潔通風口。
- 僅可使用微濕的軟布清潔機殼。請勿使用含矽膠的清潔或亮光劑，因為可能會造成塑膠零件損壞。
- 請使用乾淨的乾布清潔產品的接點。

鋰電池的保養

- 通風口堵塞時請勿使用電池。請使用乾燥的軟刷子小心地清潔通風口。
- 請避免電池暴露在粉塵或髒污的環境之中。請勿讓電池接觸過高的濕氣（例如：浸入水中或淋雨）。電池若濕透，請將該電池視為已受損。請將電池隔絕在不可燃的容器內，並洽詢Hilti維修中心。
- 避免電池沾上油脂。避免讓電池上積聚粉塵或髒污。請使用乾燥的軟刷或乾淨的乾布清潔電池。請勿使用含矽膠的清潔或亮光劑，因為可能會造成塑膠零件損壞。請勿觸摸電池的觸點或從觸點上去除廠塗敷的油脂
- 僅可使用微濕的軟布清潔機殼。請勿使用含矽膠的清潔或亮光劑，因為可能會造成塑膠零件損壞。

維護

- 定期檢查外部零件和控制元件有無損壞跡象，並確認它們運作正常。
- 如果有損壞跡象及/或任何零件功能故障，請不要運行本產品。請將產品交付Hilti維修中心進行維修。
- 維護及修復作業後，裝上所有保護裝置並檢查功能是否正常。



為確保運作的安全及可靠性，請務必使用原廠Hilti備件與耗材。您可以在Hilti Store或在以下網站選購Hilti認可的備用零件、耗材和配件：www.hilti.group

7 充電式機具和電池的運輸與存放

搬運

注意

搬運時意外啟動！

- ▶ 搬運產品時務必卸下電池！
- ▶ 取出電池。
- ▶ 切勿散裝運輸電池。運送過程中，應保護電池避免衝擊與震動並與導電物質或其他電池隔離，以免因與電池端子接觸而造成短路。請遵守您所在地當地的電池運輸規範。
- ▶ 請勿以郵寄方式遞送電池。若要運送未損壞之電池，請洽詢運送服務商。
- ▶ 每次使用前以及長途運輸前後請檢查本產品和電池是否受損。

設備的貯放

警告

瑕疵或漏液的電池所造成的意外損害！

- ▶ 存放產品時，一律不可插入電池！
- ▶ 請將本產品和電池存放在陰涼及乾燥處。請遵守技術性數據中所規定的溫度極限值。
- ▶ 請勿將電池貯放在充電器中。完成充電程序後，請將電池從充電器取出。
- ▶ 請勿將電池存放在有日光直射處、熱源上或玻璃後方。
- ▶ 請將本產品和電池存放在兒童或未授權人員無法觸及的地點。
- ▶ 每次使用前以及長時間存放前後請檢查本產品和電池是否受損。

8 故障排除

若您遇到未列出的問題或是無法自行排除的問題，請聯絡Hilti維修中心。



8.1 鑽鑿兩用電鏈鑽能正常運作。

故障	可能原因	解決方法
電池較一般電池壽命短。	電池電力非處於最佳狀態。	▶ 更換電池。
電池咬合時不會發出兩聲喀啦聲。	電池上的卡榫太髒。	▶ 清潔卡榫並重新安裝電池。
控制開關無法按下，意即開關鎖住。	正轉 / 逆轉開關位於中間位置。	▶ 將正轉 / 逆轉開關推向右邊或左邊。
起子軸無法轉動。	已超過鑽鑿兩用電鏈鑽容許之操作溫度。	▶ 讓鑽鑿兩用電鏈鑽冷卻。
	電池已放電。	▶ 更換電池，並對無電量的電池再次充電。
鑽鑿兩用電鏈鑽自動關閉。	過載斷電保護系統已啟動。	▶ 鬆開控制開關。讓鑽鑿兩用電鏈鑽冷卻。再次按下控制開關。減少機具上的負載。
鑽鑿兩用電鏈鑽或電池溫度極高。	電力故障。	▶ 立刻關閉鑽鑿兩用電鏈鑽。請取下電池並置於可隨時觀察的位置。待其冷卻後，聯絡Hilti維修中心。
	鑽鑿兩用電鏈鑽已超載（超出其應用限制）。	▶ 選擇適用的機具。
彈圈夾具無法鬆開。	夾頭未完全拉回。	▶ 將夾頭拉回直到移除配件工具為止。
鑽頭無法繼續鑽入。	鑽鑿兩用電鏈鑽設定成以逆轉方式運作。	▶ 將正轉 / 逆轉選擇開關移至「正轉」位置。

8.2 鑽鑿兩用電鏈鑽無法正常運作。

故障	可能原因	解決方法
無LED亮起。	電池沒有完全置入。	▶ 將電池推入直到咬合至定位。
	電池已放電。	▶ 更換電池，並對無電量的電池再次充電。
	該電池過熱或過冷。	▶ 將電池置於建議操作溫度環境內。
1個LED閃爍。	電池已放電。	▶ 更換電池，並對無電量的電池再次充電。
	該電池過熱或過冷。	▶ 將電池置於建議操作溫度環境內。
4個LED閃爍。	機具暫時過載。	▶ 鬆開控制開關，接著再按一次。
	過熱防護斷電系統已啟動。	▶ 讓鑽鑿兩用電鏈鑽冷卻並清潔通風口。

9 廢棄設備處置

Hilti機具或設備所採用的材料大部分均可回收再利用。材料在回收前必須正確地分類。在許多國家中，您可以將舊機具及設備送回Hilti進行回收。詳情請洽Hilti維修中心，或當地Hilti代理商。



- ▶ 不可將電動工具、電動裝置和電池當成一般垃圾丟棄！

10 製造商保固

- ▶ 如果您對於保固條件有任何問題，請聯絡當地Hilti代理商。

Hilti Taiwan Co., Ltd.

24F., No. 16, Xinzhan Rd., Banqiao Dist., New Taipei City 220, Taiwan (R.O.C.)

Tel. 0800-221-036



原版操作说明

1 关于本操作说明的信息

1.1 关于本操作说明

- 首次使用或操作产品前，先阅读本操作说明。这是安全、无故障操作和使用产品的先决条件。
- 请注意本操作说明中以及产品上的安全说明和警告。
- 请务必将本操作说明与本产品保存在一起，确保将操作说明随产品一起交给他人。

1.2 所用标志的说明

1.2.1 警告

警告是为了提醒您在处理或使用此产品时会发生的危险。使用以下信号词：



危险！

- ▶ 用于让人们能够注意到会导致严重身体伤害或致命的迫近危险。



警告！

- ▶ 用于提醒人们注意可能导致严重或致命伤害的潜在危险。



小心！

- ▶ 用于提醒人们注意可能造成人身伤害、设备损坏或其他财产损失的潜在危险情况。

1.2.2 操作说明中的符号

本操作说明中使用下列符号：

	遵守操作说明
	使用说明和其他有用信息
	处理可回收材料
	不得将电气设备和电池作为生活垃圾处置
	Hilti 锂离子电池
	Hilti 充电器

1.2.3 图示中的符号

图示中使用了下列符号：

	这些编号指本操作说明开始处的相应图示。
	图示中的编号表示重要的操作步骤或对操作步骤重要的部件。这些操作步骤或部件在文本中使用相应的编号突出显示，例如 (3)。
	位置编号被用于概览图中并表示产品概览段落中的图例编号。
	这些符号旨在提醒您在操作本产品时要特别注意的某些要点。

1.3 与产品相关的符号

1.3.1 产品使用的符号

产品上使用下列符号：



	不通过锤击作用钻孔
	通过锤击作用钻孔 (锤击钻孔)
	凿边
	凿子定位
	正向/反向
	直径
n_0	无负荷下的额定转速
/min	每分钟转数
	本产品支持无线数据传输，兼容 iOS 和 Android 平台。
	使用 Hilti 锂离子电池类型系列。请遵守“预期用途”一章中所述信息。
Li-Ion	锂离子电池
	切勿将电池用作敲击工具。
	请勿让电池掉落。切勿使用受到撞击或有任何损坏的电池。

1.4 产品信息

产品设计适用于专业用户，只有经过专门训练的授权人员才允许操作、维修和维护本产品。必须将任何可能的危险专门告知该人员。不按照既定用途使用或由未经培训的人员不正确地使用本产品及其辅助设备可能会带来危险。

型号名称和序列号印在铭牌上。

▶ 在下表中填写序列号。在联系 Hilti 维修中心或当地 Hilti 机构询问产品时，将要求您提供产品的详细信息。

产品信息

组合锤	TE 30-A36
分代号	03
序列号	

1.5 符合性声明

按照我们单方面的责任，我们声明本产品符合下列适用指令和标准：一致性声明副本位于本文档结尾处。

技术文档在此处归档：

Hilti Entwicklungsgesellschaft mbH | Tool Certification | Hiltistrasse 6 | 86916 Kaufering, Germany

2 安全

2.1 一般电动工具安全警告

警告 请阅读本电动工具随附的所有安全警告、说明、图示和技术规范。不遵守下列所有操作说明可能会导致电击、火灾和/或严重人身伤害。

请保存所有安全警告和操作说明，以供将来参考。

在所有下列的警告中术语“电动工具”指市电驱动(有线)电动工具或电池驱动(无线)电动工具。

工作区域安全

- ▶ 保持工作区域清洁和良好照明。杂乱和黑暗的区域容易导致事故。
- ▶ 不要在爆炸性环境中操作电动工具，例如有易燃液体、气体或灰尘。电动工具会产生可以点燃这些灰尘或烟雾的火花。
- ▶ 在操作电动工具时，要令儿童和旁观者远离工作现场。万一分心，可能会使您失去对电动工具的控制。



电气安全

- ▶ 电动工具 (设备) 插头必须匹配电源插座。切勿以任何方式改动插头。对于接地的电动工具 (设备)，不要使用任何适配器插头。使用未经改动的插头和匹配的电源插座可以大大减少电击危险。
- ▶ 避免人体接触接地表面，如管道、散热片和冰箱。如果您的身体接地，则会增加电击危险。
- ▶ 不要将电动工具暴露在雨水或潮湿环境中。电动工具进水将会增加电击危险。
- ▶ 不要滥用电缆。切勿使用电缆运送、拉动或拔出电动工具。保持电缆远离高温、油、锋利边缘或运动部件。电缆损坏或缠绕会增加电击危险。
- ▶ 当在户外操作电动工具时，应使用经认可适合户外操作的加长电缆。使用适合户外使用的电缆可减少电击危险。
- ▶ 如果在潮湿环境下操作电动工具是不可避免的，应使用剩余电流动作保护器 (RCD)。使用 RCD 可减小电击危险。

人身安全

- ▶ 保持警觉，注意您正在进行的工作，并在操作电动工具的过程中，应利用自己的判断能力。当您疲劳或受到药物、酒精或医疗影响时，请不要使用电动工具。当操作电动工具时，瞬间的分心都可能导致严重的人身伤害。
- ▶ 使用个人防护装备。一定要戴上护目装置。安全装置，诸如适当条件下使用防尘面具、防滑安全鞋、安全帽、听力防护等装置能减少人身伤害。
- ▶ 防止电动工具意外启动。在连接至电源和/或电池组、拿起或搬运电动工具之前，应确保开关处于“关闭”位置。将手指放在开关上搬运电动工具或在开关处于“打开”位置时接通电源，都可能会导致事故发生。
- ▶ 在打开电动工具之前，必须拿掉任何调整键或扳手。让扳手或调整键留在电动工具的旋转部件上可能会导致人身伤害。
- ▶ 不要操之过急。应时刻保持正确的站姿和平衡。这在意外情况下能够更好地控制电动工具。
- ▶ 确保正确着装。不要穿着松垮的衣服或佩戴首饰。让头发和衣服远离运动部件。松垮的衣服、首饰或长发发卡会在运动部件中。
- ▶ 如果提供有用于连接除尘和集尘设施的装置，应确保将它们连接好并正确使用。使用除尘装置可以减少与灰尘相关的危险。
- ▶ 经常使用工具能令您获得较高的熟练度，但不能因此掉以轻心和忽视工具安全准则。一次不慎操作就会在瞬间导致重伤。

电动工具的使用和维护

- ▶ 不要强制使用电动工具。针对您的应用场合使用正确的电动工具。正确的电动工具在其额定设计值范围内将能够更好和更安全地工作。
- ▶ 如果通过开关不能使其打开和关闭，则请不要使用电动工具。任何不能通过开关进行控制的电动工具都是危险的，必须对其进行修理。
- ▶ 在进行任何调整、更换配件或存放电动工具之前，应从电源上断开插头和/或从电动工具上拆下电池组 (若可拆卸)。此预防性安全措施可减少意外启动电动工具的危险。
- ▶ 将不用的电动工具存放在儿童拿不到的地方，并且不要让不熟悉电动工具或其操作说明的人员操作电动工具。未经培训的用户操作电动工具是危险的。
- ▶ 维护电动工具和配件。检查是否存在运动部件失调或卡滞、部件断裂和任何其它影响电动工具操作的情况。如果存在损坏，则在使用之前应修理电动工具。许多事故都是由于电动工具维护不良造成的。
- ▶ 保持切削工具锋利和清洁。带锋利切削刀的切削工具如果维护得当，很少会发生卡滞且更容易控制。
- ▶ 按照使用说明书，考虑作业条件和进行的作业来使用电动工具、附件和工具的刀头等。将电动工具用于指定用途以外的场合会导致危险。
- ▶ 使手柄和抓握面保持干燥、清洁且没有油脂。如果手柄和抓握面打滑，将无法在意外情况下安全操作或控制本工具。

无绳 (电池操作) 工具/设备的使用和维护

- ▶ 充电时只能使用制造商指定的充电器。适合某种类型电池组的充电器如果被用于为另一类型电池组充电，则可能会带来火灾危险。
- ▶ 只能使用专用电池组为电动工具供电。使用任何其它电池组可能会带来人身伤害和火灾。
- ▶ 当电池组不用时，应使其远离其它金属物体，例如纸夹、硬币、钥匙、钉子、螺钉或其它小的金属物体，以免造成短路。如果电池端子被短路，则会造成人员烧伤或火灾。
- ▶ 如果持续滥用电池，则可能会造成液体从电池中喷射出来；注意避免接触到液体。如果意外接触到液体，应用水冲洗。如果液体接触眼睛，除了用大量清水冲洗外，还应立即就医。从电池中喷射出来的液体会导致疼痛或灼伤。
- ▶ 不要使用损坏或改装过的电池组或工具。损坏或改装过的电池会造成不可预测的情形，导致火灾、爆炸或受伤风险。
- ▶ 不要将电池组或工具暴露在明火或过高的温度中。暴露在明火或超过 130 °C (265 °F) 温度中可能导致爆炸。
- ▶ 遵守所有充电说明，且不要在使用说明规定的温度范围之外对电池组或工具充电。充电不正确或在规定的温度范围之外充电会损坏电池并增加火灾风险。



保养

- ▶ 将你的电动工具送交专业维修人员，使用同样的备件进行修理。这样才能确保维持电动工具（设备）的安全性。
- ▶ 切勿擅自维修损坏的电池组。仅可由制造商或授权服务提供商执行电池组的维修。

2.2 锤子安全说明

适用于所有作业类型的安全说明

- ▶ 戴上护耳装置。如果直接暴露在噪音中，则会导致听力受损。
- ▶ 使用随工具提供的辅助手柄。对工具失去控制可能会导致人身伤害。
- ▶ 如果配套工具的工作区域可能接触到隐藏的线束，只能握住电动工具的绝缘手柄表面进行操作。如果配套工具接触到带电电线，电动工具的金属部件也将带电，从而导致电击。

关于使用长钻头的安全说明

- ▶ 始终以低转速开始钻孔，并使钻头与工件接触。在未与工件接触的情况下，如果钻头的旋转速度超出其最大允许转速，则会导致其轻微弯曲，继而造成伤害事故。
- ▶ 不要向钻头施加过大的压力，仅可在钻头的纵向轴上施加压力。否则钻头会弯曲，继而断裂或导致失控和伤害事故。

2.3 破碎机的其它附加安全说明

人身安全

- ▶ 只有产品和附件处于良好的技术状态时才能使用。
- ▶ 切勿以任何方式擅自改动或改装本产品或附件。
- ▶ 当对天花板、墙壁和地板进行凿边时，请务必确保采用安全、稳妥的工作姿势。突然的穿透操作会影响您的身体平衡！
- ▶ 当执行需要穿透的作业时，在工件对侧采取适当的安全措施。被钻下的工件部分可能会弹出或掉落并伤害到其他人。
- ▶ 当使用本电动工具时，您和附近的任何其他人员都必须戴上适当的护目装置、安全帽、护耳装置和呼吸防护装置。
- ▶ 在更换配套工具时戴上防护手套。触碰配套工具会导致割伤和烫伤。
- ▶ 请戴上护目装置。飞溅的碎片会导致身体和眼睛受伤。
- ▶ 磨削、抛光、切割和钻孔过程中产生的粉尘可能包含有害化学物质。一些例子包括：铅或铅基涂料；砖、混凝土、其他砖石产品、天然石材和其他含硅酸盐的产品；一些木材，例如橡木、山毛榉和化学处理过的木材；石棉或含石棉的材料。根据所处理材料的危险等级，确定操作员和附近人员的暴露程度。采取必要的措施将暴露保持在安全水平内，例如使用集尘系统或佩戴适当的呼吸防护装置。减少暴露的一般措施包括：
 - ▶ 在通风良好的区域进行操作，
 - ▶ 避免长时间接触粉尘，
 - ▶ 清除脸部和身体上的粉尘，
 - ▶ 穿着防护服并用肥皂和水清洗暴露的部位。
- ▶ 适当休息并活动手指，以改善手指的血液循环。工作期间长时间暴露于强烈振动环境中可能导致手指、手掌和手腕部位血管和神经系统紊乱。

电气安全

- ▶ 开始工作前，检查工作区域是否有隐蔽的电缆或天然气和水管。如果电缆、燃气管或水管有损坏，则产品的外部金属部件可能会导致电击或爆炸。

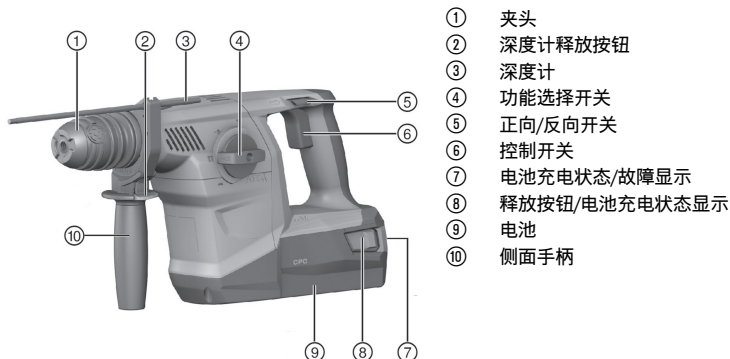
谨慎操作和使用电动工具

- ▶ 等待产品完全停止后再将其放下。



3 说明

3.1 产品概述



- ① 夹头
- ② 深度计释放按钮
- ③ 深度计
- ④ 功能选择开关
- ⑤ 正向/反向开关
- ⑥ 控制开关
- ⑦ 电池充电状态/故障显示
- ⑧ 释放按钮/电池充电状态显示
- ⑨ 电池
- ⑩ 侧面手柄

3.2 预期用途

本文所述产品是一款配备气动锤击机构的无绳（电池供电）组合锤。其设计用于在混凝土、砖石建筑、木材和金属中钻孔。本产品也可用于砖石建筑上的轻型到中等负荷凿边作业以及混凝土表面的修整工作。

- ▶ 请仅将 Hilti B 36 系列锂离子电池与本产品一起使用。
- ▶ 请仅为这些电池使用 C4/36 系列中的 Hilti 电池充电器。

3.3 可能的误用

- 该产品不适用于加工危险材料。
- 该产品不适用于在潮湿环境下工作。

3.4 ATC

本产品配备 ATC(Active Torque Control) 快速电子切断装置。

若配套工具粘住或停止，本产品将会突然以相反的方向围绕自身轴线旋转。ATC 可探测到产品的突然旋转运动，并立即关闭产品。

- 为了 ATC 正常工作，产品必须可自由旋转。
- 执行 ATC 切断后，先关闭然后再开启产品。

3.5 电机保护系统

该工具配备了电机保护系统。系统监测电流输入和电机温度，从而防止工具出现过热。

如果因施加过高的工作压力而使电机过载，则电动工具的性能明显降低或可能完全停止。

如果电动工具因过载而停止或明显减速，则释放对工具施加的压力，然后使其空载运行约 30 秒。

3.6 锂离子电池状态显示

锂离子电池充电状态和电动工具的故障由锂离子电池上的显示屏进行指示。按下两个电池释放按钮中的一个后，可以显示锂离子电池的充电状态。

状态	含义
4 个 LED 亮起。	充电状态：75% 至 100%
3 个 LED 亮起。	充电状态：50% 至 75%
2 个 LED 亮起。	充电状态：25% 至 50%
1 个 LED 亮起。	充电状态：10% 至 25%
1 个 LED 闪烁。	充电状态：< 10%
1 个 LED 闪烁，电动工具未处于备用状态。	电池过热或完全放电。
4 个 LED 闪烁，电动工具未处于备用状态。	电动工具过载或过热。





按下控制开关 5 秒，松开开关之后，将不会显示电池的充电状态。
如果电池显示屏 LED 闪烁，请按照“故障排除”章节中提供的说明进行操作。

3.7 供货提供的部件：

组合锤、带深度计的侧面手柄、操作说明。



为确保安全和可靠的操作，仅限使用喜利得原装备件和消耗品。喜利得所推荐的和产品配套的备件、消耗品和附件可到您当地的 Hilti 中心购买或通过网址 www.hilti.com 在线订购。

4 技术数据

4.1 技术数据

	TE 30-A36
额定电压	36 V
单次冲击能量 (按照 EPTA 标准 05/2009)	3.6 J
重量	5.1 kg

4.2 噪音信息和振动值按照 EN 62841 标准

这些说明中给出的声压和振动值按照标准化测试的要求测得，可用于比较一种电动工具与另一种电动工具。它们还可用于初步评价受振动影响的程度。

提供的数据代表本电动工具的主要应用。但是，如果将电动工具用于不同的应用、使用不同的配套工具或维护不良，则数据可能不同。这可能会显著增加操作者在整个工作期间受振动影响的程度。

对受振动影响程度的准确估计还应考虑当关闭电动工具或当它运行但实际未进行工作时的情况。这可能会显著减小操作者在整个工作期间受振动影响的程度。

此外，应确定附加安全措施，以保护操作者免受噪音和/或振动影响，例如：正确维护电动工具和配套工具、保持双手温暖、合理安排工作方式。

噪声排放值

	TE 30-A36
声功率级 (L_{WA})	103 dB
声压级 (L_{pA})	92 dB
声功率级 / 声级的不确定性	3 dB

总振动值

		TE 30-A36
在金属中钻孔 ($a_{h, HD}$)		5 m/s ²
在混凝土中锤击钻孔 ($a_{h, HD}$)	B 36/5.2	10.3 m/s ²
	B 36/9.0	9.3 m/s ²
凿边	B 36/5.2	8.5 m/s ²
	B 36/9.0	7.3 m/s ²
不确定性		1.5 m/s ²

5 操作

5.1 工作现场的准备工作



-警告-

人身伤害的危险！意外启动的风险！

- ▶ 插入电池前，确保已关闭产品。
- ▶ 对电动工具执行任何调节或更换配件前，先取出电池。

请遵守本文档中以及产品上的安全说明和警告。



5.1.1 插入电池

1. 将电池推入电池座中，直至听到它接合的“咔哒”声。
2. 检查并确认电池已可靠就位。

5.1.2 拆下电池

1. 按下电池上的释放按钮。
2. 朝着后部拉出电池。

5.1.3 为电池充电



将电池插入认可的电池充电器中之前，确保电池外表面清洁、干燥。
如需有关充电过程的更多信息，请阅读充电器的操作说明。

- ▶ 使用认可的充电器为电池充电。

5.1.4 安装侧面手柄



谨防受伤！ 失去对产品的控制。

- ▶ 检查并确认侧面手柄已正确安装和可靠固定。检查并确认夹紧带已接合到产品的凹槽中。
1. 通过转动手柄握柄释放侧面手柄夹紧带。
 2. 将侧面手柄夹紧带越过夹头从前面滑入提供的凹槽中。
 3. 将侧面手柄设置至预期位置。
 4. 通过转动手柄握柄紧固侧面手柄夹紧带。

5.1.5 调整深度计 (选装)

1. 按下侧面手柄上的释放按钮。
2. 调整深度计至期望的钻孔深度。
3. 松开释放按钮。
4. 检查并确认侧面手柄已牢牢连接。

5.1.6 拆卸夹头



人身伤害的危险。 安装而不使用深度计可能对操作者造成阻碍。

- ▶ 从产品上拆下深度计。



将功能选择开关转到 **T** “凿边”位置。

1. 从工具中取出电池。
2. 抓住示意图中所示的夹头，并向上拉动三个夹头释放环。
3. 将夹头从上方抬离工具。

5.1.7 安装夹头



人身伤害的危险。 安装而不使用深度计可能对操作者造成阻碍。

- ▶ 从产品上拆下深度计。



当更换夹头时，将功能选择开关设置至该位置：**T**。

1. 从工具中取出电池。
2. 抓住示意图中所示的夹头，并向上拉动三个夹头释放环。
3. 将夹头安装到夹头座上。
4. 转动夹头直到其接合。



5.1.8 插入工具

1. 稍稍润滑配套工具的连接端。
 - ▶ 只能使用原装 Hilti 润滑脂。使用错误的润滑脂可能会导致工具损坏。
2. 将配件工具推入夹头中并推到底 (直至它接合)。
3. 安装配套工具后, 请务必握住并拉动它, 确认其已可靠接合。
 - ▶ 本产品处于备用状态。

5.1.9 拆卸配套工具

-小心-

配套工具有导致人身伤害的危险! 配套工具可能会发烫或边缘很锋利。

- ▶ 更换配件工具时, 戴上防护手套。
- ▶ 向后拉动夹头, 直到拉不动为止, 然后拆下配套工具。

5.2 工作类型

-小心-

损坏风险 由错误操作引起!


- ▶ 不得在运行期间操作旋转方向和/或功能选择开关。

请遵守本文中以及产品上的安全说明和警告。


5.2.1 功能选择开关

- ▶ 将功能选择开关设置到所需的工作位置。
 - ▶ 电机运行时请勿操作功能选择开关。损坏风险!

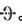
5.2.2 不带锤击作用的钻孔

- ▶ 将功能选择开关设置到该符号: 


5.2.3 通过锤击作用钻孔 (锤击钻孔)

- ▶ 将功能选择开关设置到该符号: 

5.2.4 凿子定位

- ▶ 将功能选择开关设置到该符号: 
 - ▶ 可以将凿子调整至 12 个不同位置 (以 30° 为增量)。这样可确保总是可以将平头和成形凿子设置到最佳工作位置。

5.2.5 凿边

- ▶ 将功能选择开关设置到该符号: 

5.2.6 正向/反向

- ▶ 将正向/反向开关设置到期望的旋转方向。

6 维护和保养

-警告-

插入电池时存在人身伤害危险!

- ▶ 执行维护和保养任务之前, 请务必先取出电池。

工具的保养

- 请小心去除顽固的污垢。
- 如果有污垢, 请用干燥的软毛刷小心地清洁通风孔。
- 请仅使用微湿的抹布清洁外壳。不要使用含硅清洁剂, 否则可能腐蚀塑料件。
- 请使用洁净干燥的抹布来清洁产品的接头。

锂离子电池的保养

- 切勿使用通风槽堵塞的电池。用干燥的软毛刷小心地清洁通风槽。



- 避免不必要地将电池暴露在粉尘或污垢中。切勿将电池暴露在高湿度的环境中 (例如将其浸在水中或放在雨中)。如果电池浸湿, 请如处理损坏的电池那样对其进行处理。将其隔离在不可燃的容器中, 然后联系 Hilti 维修中心。
- 确保电池远离油和油脂。切勿让不必要的粉尘或脏污积聚在电池上。用干燥的软毛刷或干燥柔软的布清洁电池。不要使用含硅清洁剂, 否则可能腐蚀塑料件。请勿触摸电池触点或从触点上去除出厂涂的油脂。
- 请仅使用微湿的抹布清洁外壳。不要使用含硅清洁剂, 否则可能腐蚀塑料件。

维护

- 定期检查所有可见部件和控制器是否出现损坏迹象, 确保其全部正常工作。
- 如果发现产品有损坏和/或有功能故障, 请不要使用。立即将本产品交给 Hilti 维修中心修复。
- 清洁和维护之后, 安装所有护板或保护装置并检查其功能是否正常。

为确保安全和可靠的操作, 仅使用 Hilti 原装备件和耗材。经 Hilti 许可与产品搭配使用的备件、耗材和附件可到您当地的 Hilti Store 购买或访问: www.hilti.group

7 电池型工具和电池的运输及存储

运输

-小心-

运输途中的意外启动!

- ▶ 运输产品前务必将电池取出!
- ▶ 取下电池。
- ▶ 切勿松散、未加保护地运输电池。在运输过程中, 应保护电池免受过度冲击或振动影响, 并将其与任何导电材料或其它电池分开 (因为它们可能会接触到电池端子并导致短路)。请遵守当地的电池运输规定。
- ▶ 请勿以邮寄方式运送电池。有关如何运送完好电池的说明, 请咨询您的发货商。
- ▶ 每次使用前以及长时间运输前后都要检查产品和电池是否损坏。

存放

-警告-

故障或泄漏的电池会导致意外损坏!

- ▶ 仅可在未插入电池的情况下存放产品!
- ▶ 请将产品和电池存放 to 凉爽干燥的地方。请遵守技术数据中规定的温度极限值。
- ▶ 请勿将电池存放在充电器中。充电过程结束后请始终将电池从充电器中取出。
- ▶ 切勿将电池存放在阳光下、热源上或玻璃后。
- ▶ 请将本产品 and 电池存放在儿童或非授权人员无法接近的位置。
- ▶ 每次使用前以及长时间存放前后都要检查产品和电池是否损坏。

8 故障排除

如果您碰到的问题未在此表中列出或您无法自己实施补救措施, 请联系 Hilti 服务部门。

8.1 组合锤处于正常工作状态。

故障	可能原因	解决方案
电池比平常更快耗尽。	电池状况不是最佳。	▶ 更换电池。
电池未接合 (没有发出咔哒声)。	电池上的固定凸耳脏污。	▶ 清洁固定凸耳, 然后重新安装电池。
不能按下控制开关, 即开关被锁止。	正向/反向开关处于中间位置。	▶ 向右或向左推动正向/反向开关。
驱动主轴不旋转。	已超过组合锤电子装置的允许工作温度。	▶ 让组合锤冷却。
	电池放电。	▶ 更换电池, 并对已放电电池充电。



故障	可能原因	解决方案
组合锤自动关闭。	过载保护装置已启动。	▶ 释放控制开关。让组合锤冷却。再次按下控制开关。降低工具的负载。
组合锤或电池变得很热。	电气故障。	▶ 立即关闭组合锤。取出电池并仔细观察。使其冷却下来。与 Hilti 中心联系。
	组合锤已过载 (超过应用极限)。	▶ 选择适合预期用途的工具。
无法释放插入工具。	夹头未向后完全拉回。	▶ 向后拉动夹头，直到拉不动为止，然后拆下配套工具。
钻头不前进。	将组合锤设置为反向旋转运行。	▶ 将正向/反向选择开关移至“向前”位置。

8.2 组合锤未处于正常工作状态。

故障	可能原因	解决方案
没有 LED 亮起。	电池未完全插入。	▶ 推入电池，直到听到其接合的咔嗒声。
	电池放电。	▶ 更换电池，并对已放电电池充电。
	电池过热或过冷。	▶ 将电池调整至推荐的工作温度。
1 个 LED 闪烁。	电池放电。	▶ 更换电池，并对已放电电池充电。
	电池过热或过冷。	▶ 将电池调整至推荐的工作温度。
4 个 LED 闪烁。	组合锤已短时过载。	▶ 释放控制开关，然后再次将其按下。
	过热保护切断功能已经启动。	▶ 使组合锤冷却下来，然后清洁出风口。

9 废弃处置

大部分用于 Hilti 工具和设备生产的材料是可回收利用的。在可以回收之前，必须正确分离材料。在很多国家，您的旧工具、机器或设备可送至 Hilti 进行回收。敬请联系 Hilti 服务部门或您的喜利得公司代表获得更多信息。



- ▶ 不要将电动工具、电子设备和电池扔进家庭垃圾中！

10 制造商保修

- ▶ 如对保修条件有任何疑问，请联系您当地的 Hilti 代表。



EC Declaration of Conformity | UK Declaration of Conformity



Manufacturer:
Hilti Corporation
Feldkircherstraße 100
9494 Schaan | Liechtenstein

UK Importer:
Hilti (Gt. Britain) Limited
No. 1 Circle Square, 3 Symphony Park
Manchester, England, M1 7FS

TE 30-A36 (03)

Serial Numbers: 1-9999999999

2006/42/EC | Supply of Machinery (Safety)
Regulations 2008

EN 62841-1:2015,AC:2015

EN IEC 62841-2-6:2020/A11:2020

2014/30/EU | Electromagnetic Compatibility
Regulations 2016

EN IEC 55014-1:2021

EN IEC 55014-2:2021

2011/65/EU | The Restriction of the Use of
Certain Hazardous Substances in Electrical and
Electronic Equipment Regulations 2012

A handwritten signature in black ink, appearing to read "Tahar Zrilli".

Dr. Tahar Zrilli
Head of Quality and Process Management
Business Area Electric Tools & Accessories

Schaan, 12.02.2023

A handwritten signature in black ink, appearing to read "Edward-Louis Przybylowicz".

Edward-Louis Przybylowicz
Head of BU Power Tool & Accessories
Business Area Electric Tools & Accessories



Hilti Corporation
LI-9494 Schaan
Tel.:+423 234 21 11
Fax:+423 234 29 65
www.hilti.group



2173712