



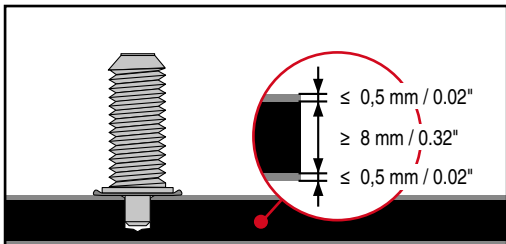
2229993-12.2024

<b>CE</b>
21
Hilti AG LI-9494 Schaan
Hilti-DX-DoP-008
ETA-20/1042
EAD 333037-00-0602
0672
0672-CPR-0934
Threaded studs for connection of materials to structural steel

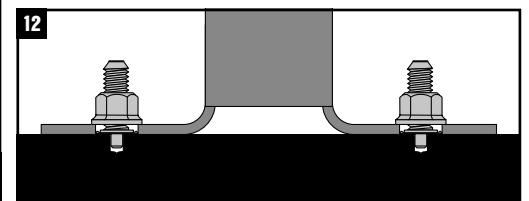
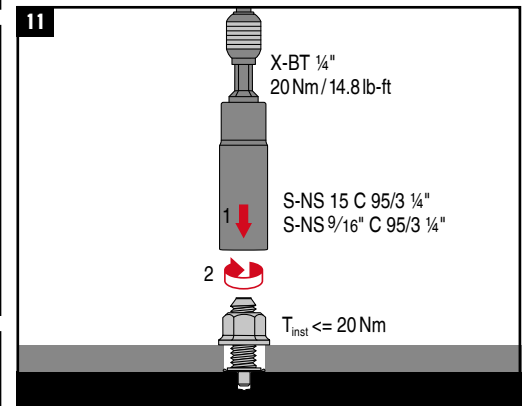
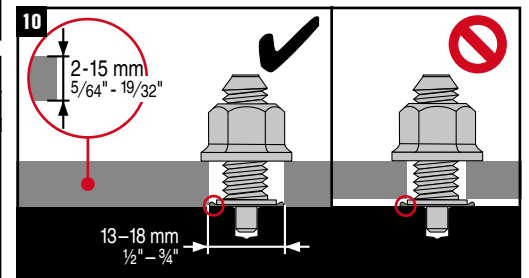
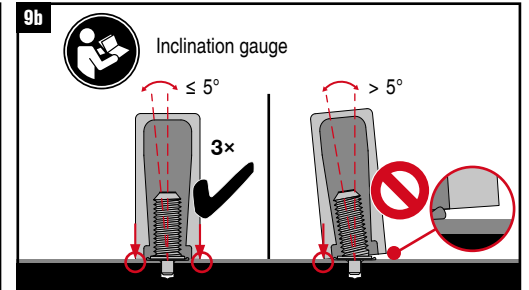
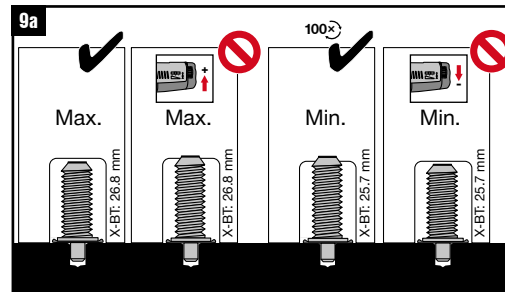
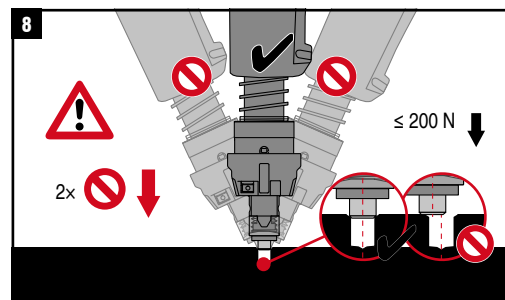
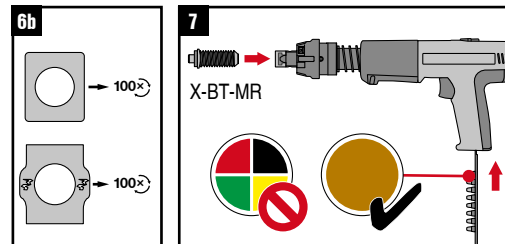
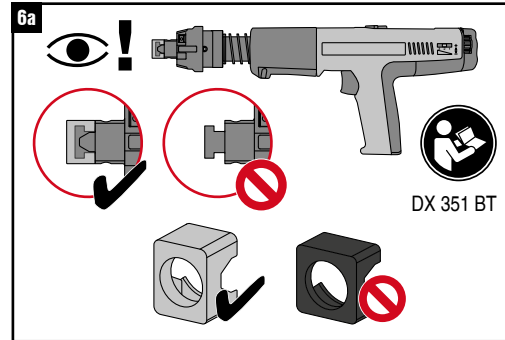
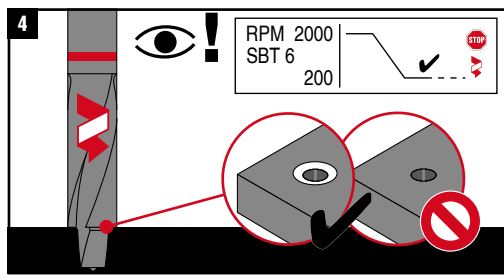
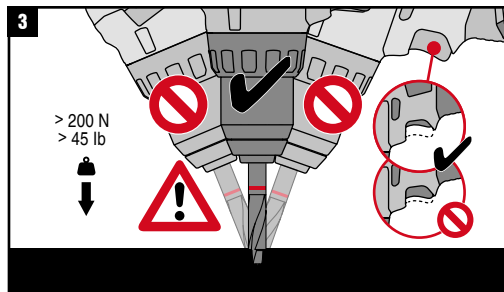
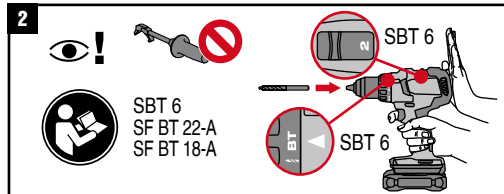
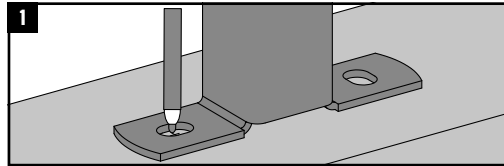
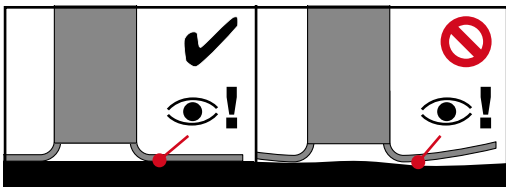
0-1km

Hilti Corrosion handbook / DFTM

**A4 316** Equivalent Corrosion Resistance



		Use with					
X-BT-MR0 W10/15 SN 8	✓	SBT 6 SF BT 22-A SF BT 18-A	DX 351-BT	X-BT 1/4" 20Nm/ 14,8 ft lb	S-M NU-FL-M10 A4	S-NS 15C 95/3 3/4"	X-IG BT M10

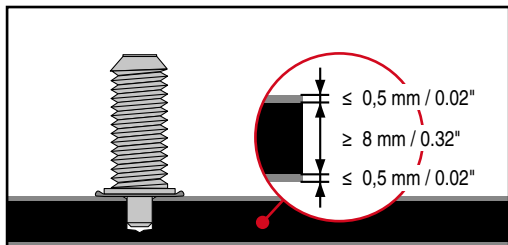


<b>CE</b>
21
Hilti AG LI-9494 Schaan
Hilti-DX-DoP-008
ETA-20/1042
EAD 333037-00-0602
0672
0672-CPR-0934
Threaded studs for connection of materials to structural steel

0-1km

Hilti Corrosion handbook / DFTM

A4 316 Equivalent Corrosion Resistance



		Use with					
X-BT-MR0 W10/15 SN 8	✓	SBT 6 SF BT 22-A SF BT 18-A	BX 3-BT	X-BT 1/4" 20Nm/14,8 ft lb	Flange Nut W10	S-NS 9/16" C 95/3 3/4"	X-IG BT W10
X-BT-MR0 M10/15 SN 8	✓			S-M-NU-FL-M10 A4	S-NS 15C 95/3 3/4"		X-IG BT M10

