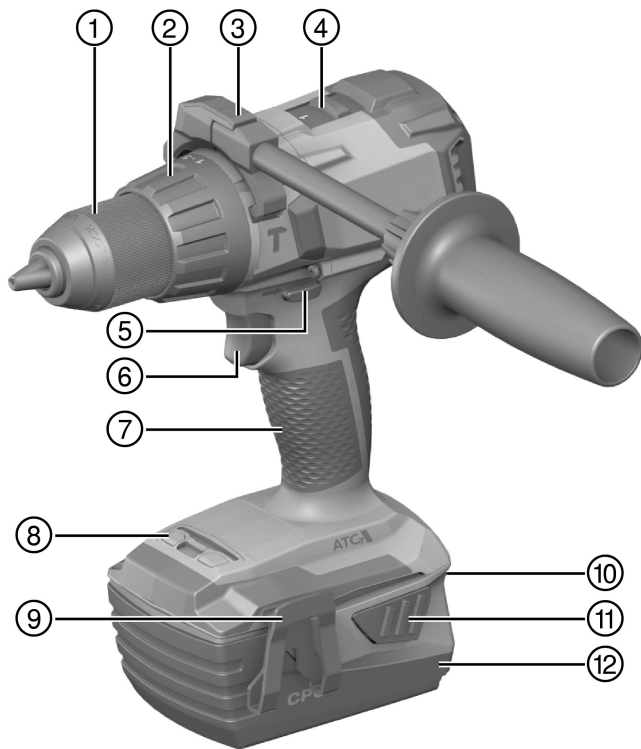


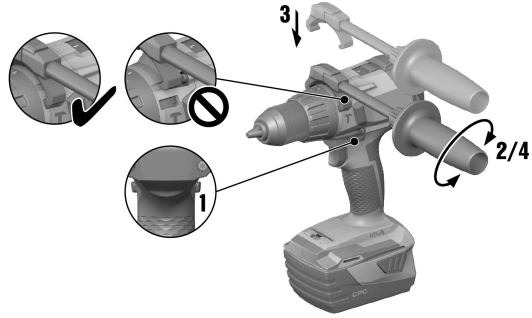


SF 6-A22  
SF 6H-A22

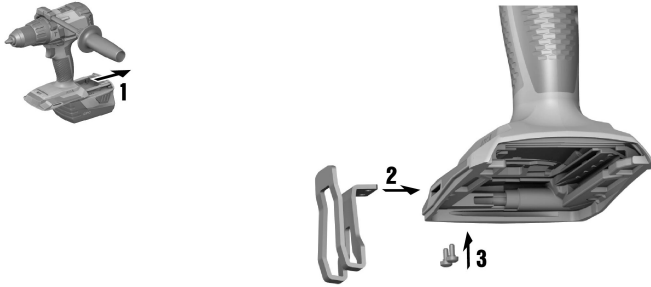
English	1
Srpski	12
Русский	24
Українська	38
Қазақ	52
Български	65
Română	78
Ελληνικά	90
Türkçe	103
عربي	116
日本語	129
한국어	141
繁體中文	152
中文	162



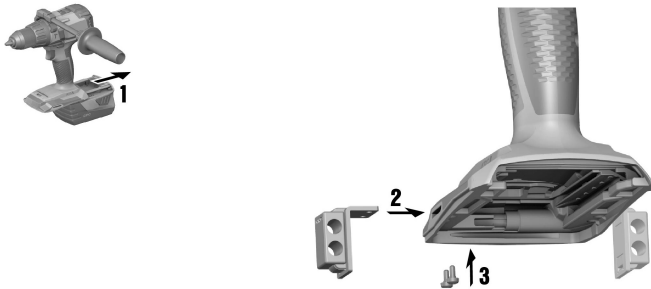
2



3



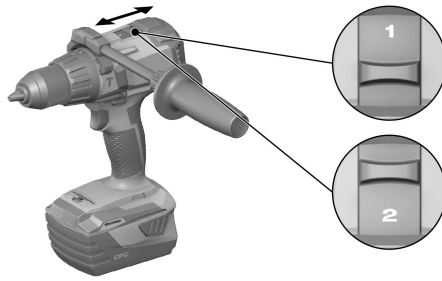
4



5



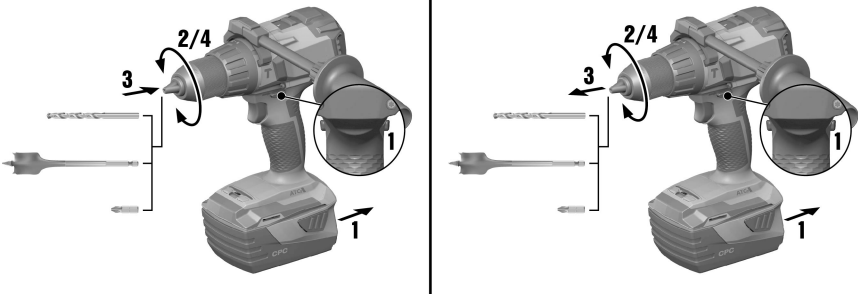
6



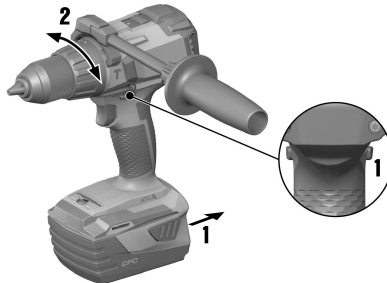
7



8



9



1 - 15



# SF 6-A22

# SF 6H-A22

en	Original operating instructions . . . . .	1
sr	Originalno uputstvo za upotrebu . . . . .	12
ru	Перевод оригинального руководства по эксплуатации . . . . .	24
uk	Оригінальна інструкція з експлуатації . . . . .	38
kk	Түпнұсқа пайдалану бойынша нұсқаулық . . . . .	52
bg	Оригинално Ръководство за експлоатация . . . . .	65
ro	Manual de utilizare original . . . . .	78
el	Μετάφραση οδηγιών χρήσης από το πρωτότυπο . . . . .	90
tr	Orijinal kullanım kılavuzu . . . . .	103
ar	دليل الاستعمال الأصلي . . . . .	116
ja	オリジナル取扱説明書 . . . . .	129
ko	오리지널 사용 설명서 . . . . .	141
zh	原始操作說明 . . . . .	152
cn	原版操作说明 . . . . .	162



# Original operating instructions

## 1 Information about the documentation

### 1.1 About this documentation

- Read this documentation before initial operation or use. This is a prerequisite for safe, trouble-free handling and use of the product.
- Observe the safety instructions and warnings in this documentation and on the product.
- Always keep the operating instructions with the product and make sure that the operating instructions are with the product when it is given to other persons.

### 1.2 Explanation of symbols

#### 1.2.1 Warnings

Warnings alert persons to hazards that occur when handling or using the product. The following signal words are used:

#### DANGER

##### DANGER !

- ▶ Draws attention to imminent danger that will lead to serious personal injury or fatality.

#### WARNING

##### WARNING !

- ▶ Draws attention to a potential threat of danger that can lead to serious injury or fatality.

#### CAUTION

##### CAUTION !

- ▶ Draws attention to a potentially dangerous situation that could lead to personal injury or damage to the equipment or other property.

#### 1.2.2 Symbols in the operating instructions

The following symbols are used in these operating instructions:

	Comply with the operating instructions
	Instructions for use and other useful information
	Dealing with recyclable materials
	Do not dispose of electric equipment and batteries as household waste
	<b>Hilti</b> Li-ion battery
	<b>Hilti</b> charger

#### 1.2.3 Symbols in illustrations

The following symbols are used in illustrations:

<b>2</b>	These numbers refer to the illustrations at the beginning of these operating instructions.
3	The numbering reflects the sequence of operations shown in the illustrations and may deviate from the steps described in the text.
<b>11</b>	Item reference numbers are used in the <b>overview illustration</b> and refer to the numbers used in the key in the <b>product overview</b> section.
	These characters are intended to specifically draw your attention to certain points when handling the product.



### 1.3 Product-dependent symbols

#### 1.3.1 Symbols on the product

The following symbols can be used on the product:

	The product supports wireless data transmission compatible with iOS and Android platforms.
	<b>Hilti Li-ion battery type series used.</b> Observe the information given in the section headed <b>Intended use.</b>
Li-ion	Li-ion battery
	Never use the battery as a striking tool.
	Do not drop the battery. Never use a battery that has suffered an impact or is damaged in any other way.
	Direct current (DC)
	Drilling without hammer action
	Drilling with hammering action (hammer drilling)
	Protection class II (double-insulated)
$n_0$	Rated speed under no load
/min	Revolutions per minute

### 1.4 Product information

products are designed for professional users and only trained, authorized personnel are permitted to operate, service and maintain the products. This personnel must be specifically informed about the possible hazards. The product and its ancillary equipment can present hazards if used incorrectly by untrained personnel or if used not in accordance with the intended use.

The type designation and serial number are printed on the rating plate.

- ▶ Write down the serial number in the table below. You will be required to state the product details when contacting Hilti Service or your local Hilti organization to inquire about the product.

#### Product information

Drill/driver	SF 6-A22   SF 6H-A22
Generation	02
Serial no.	

### 1.5 Declaration of conformity

We declare, on our sole responsibility, that the product described here complies with the applicable directives and standards. A copy of the declaration of conformity can be found at the end of this documentation.

The technical documentation is filed here:

**Hilti** Entwicklungsgesellschaft mbH | Tool Certification | Hiltistrasse 6 | 86916 Kaufering, Germany

## 2 Safety

### 2.1 General power tool safety warnings

**WARNING Read all safety warnings, instructions, illustrations and specifications provided with this power tool.** Failure to follow all instructions listed below may result in electric shock, fire and/or serious injury. **Save all warnings and instructions for future reference.**

The term "power tool" in the warnings refers to your mains-operated (corded) power tool or battery-operated (cordless) power tool.

#### Work area safety

- ▶ **Keep work area clean and well lit.** Cluttered or dark areas invite accidents.





- ▶ **Do not operate power tools in explosive atmospheres, such as in the presence of flammable liquids, gases or dust.** Power tools create sparks which may ignite the dust or fumes.
- ▶ **Keep children and bystanders away while operating a power tool.** Distractions can cause you to lose control.

#### Electrical safety

- ▶ **Power tool plugs must match the outlet. Never modify the plug in any way. Do not use any adapter plugs with earthed (grounded) power tools.** Unmodified plugs and matching outlets will reduce risk of electric shock.
- ▶ **Avoid body contact with earthed or grounded surfaces, such as pipes, radiators, ranges and refrigerators.** There is an increased risk of electric shock if your body is earthed or grounded.
- ▶ **Do not expose power tools to rain or wet conditions.** Water entering a power tool will increase the risk of electric shock.
- ▶ **Do not abuse the cord. Never use the cord for carrying, pulling or unplugging the power tool. Keep cord away from heat, oil, sharp edges or moving parts.** Damaged or entangled cords increase the risk of electric shock.
- ▶ **When operating a power tool outdoors, use an extension cord suitable for outdoor use.** Use of a cord suitable for outdoor use reduces the risk of electric shock.
- ▶ **If operating a power tool in a damp location is unavoidable, use a residual current device (RCD) protected supply.** Use of an RCD reduces the risk of electric shock.

#### Personal safety

- ▶ **Stay alert, watch what you are doing and use common sense when operating a power tool. Do not use a power tool while you are tired or under the influence of drugs, alcohol or medication.** A moment of inattention while operating power tools may result in serious personal injury.
- ▶ **Use personal protective equipment. Always wear eye protection.** Protective equipment such as a dust mask, non-skid safety shoes, hard hat or hearing protection used for appropriate conditions will reduce personal injuries.
- ▶ **Prevent unintentional starting. Ensure the switch is in the off-position before connecting to power source and/or battery pack, picking up or carrying the tool.** Carrying power tools with your finger on the switch or energising power tools that have the switch on invites accidents.
- ▶ **Remove any adjusting key or wrench before turning the power tool on.** A wrench or a key left attached to a rotating part of the power tool may result in personal injury.
- ▶ **Do not overreach. Keep proper footing and balance at all times.** This enables better control of the power tool in unexpected situations.
- ▶ **Dress properly. Do not wear loose clothing or jewellery. Keep your hair and clothing away from moving parts.** Loose clothes, jewellery or long hair can be caught in moving parts.
- ▶ **If devices are provided for the connection of dust extraction and collection facilities, ensure these are connected and properly used.** Use of dust collection can reduce dust-related hazards.
- ▶ **Do not let familiarity gained from frequent use of tools allow you to become complacent and ignore tool safety principles.** A careless action can cause severe injury within a fraction of a second.

#### Power tool use and care

- ▶ **Do not force the power tool. Use the correct power tool for your application.** The correct power tool will do the job better and safer at the rate for which it was designed.
- ▶ **Do not use the power tool if the switch does not turn it on and off.** Any power tool that cannot be controlled with the switch is dangerous and must be repaired.
- ▶ **Disconnect the plug from the power source and/or remove the battery pack, if detachable, from the power tool before making any adjustments, changing accessories, or storing power tools.** Such preventive safety measures reduce the risk of starting the power tool accidentally.
- ▶ **Store idle power tools out of the reach of children and do not allow persons unfamiliar with the power tool or these instructions to operate the power tool.** Power tools are dangerous in the hands of untrained users.
- ▶ **Maintain power tools and accessories. Check for misalignment or binding of moving parts, breakage of parts and any other condition that may affect the power tool's operation. If damaged, have the power tool repaired before use.** Many accidents are caused by poorly maintained power tools.
- ▶ **Keep cutting tools sharp and clean.** Properly maintained cutting tools with sharp cutting edges are less likely to bind and are easier to control.
- ▶ **Use the power tool, accessories and tool bits etc. in accordance with these instructions, taking into account the working conditions and the work to be performed.** Use of the power tool for operations different from those intended could result in a hazardous situation.



- ▶ **Keep handles and grasping surfaces dry, clean and free from oil and grease.** Slippery handles and grasping surfaces do not allow for safe handling and control of the tool in unexpected situations.

#### **Battery tool use and care**

- ▶ **Recharge only with the charger specified by the manufacturer.** A charger that is suitable for one type of battery pack may create a risk of fire when used with another battery pack.
- ▶ **Use power tools only with specifically designated battery packs.** Use of any other battery packs may create a risk of injury and fire.
- ▶ **When battery pack is not in use, keep it away from other metal objects, like paper clips, coins, keys, nails, screws or other small metal objects, that can make a connection from one terminal to another.** Shorting the battery terminals together may cause burns or a fire.
- ▶ **Under abusive conditions, liquid may be ejected from the battery; avoid contact. If contact accidentally occurs, flush with water. If liquid contacts eyes, additionally seek medical help.** Liquid ejected from the battery may cause irritation or burns.
- ▶ **Do not use a battery pack or tool that is damaged or modified.** Damaged or modified batteries may exhibit unpredictable behaviour resulting in fire, explosion or risk of injury.
- ▶ **Do not expose a battery pack or tool to fire or excessive temperature.** Exposure to fire or temperature above 130° C (265 °F) may cause explosion.
- ▶ **Follow all charging instructions and do not charge the battery pack or tool outside the temperature range specified in the instructions.** Charging improperly or at temperatures outside the specified range may damage the battery and increase the risk of fire.

#### **Service**

- ▶ **Have your power tool serviced by a qualified repair person using only identical replacement parts.** This will ensure that the safety of the power tool is maintained.
- ▶ **Never service damaged battery packs.** Service of battery packs should only be performed by the manufacturer or authorized service providers.

## **2.2 Drill safety warnings**

#### **Safety instructions for all operations**

- ▶ **Wear ear protectors when impact drilling.** Exposure to noise can cause hearing loss.
- ▶ **Use the auxiliary handle(s).** Loss of control can cause personal injury.
- ▶ **Hold the power tool by insulated gripping surfaces, when performing an operation where the cutting accessory or fasteners may contact hidden wiring.** Cutting accessory or fasteners contacting a "live" wire may make exposed metal parts of the power tool "live" and could give the operator an electric shock.

#### **Safety instructions when using long drill bits**

- ▶ **Never operate at higher speed than the maximum speed rating of the drill bit.** At higher speeds, the bit is likely to bend if allowed to rotate freely without contacting the workpiece, resulting in personal injury.
- ▶ **Always start drilling at low speed and with the bit tip in contact with the workpiece.** At higher speeds, the bit is likely to bend if allowed to rotate freely without contacting the workpiece, resulting in personal injury.
- ▶ **Apply pressure only in direct line with the bit and do not apply excessive pressure.** Bits can bend causing breakage or loss of control, resulting in personal injury.

#### **Safety instructions for using mixing paddles or stirrers**

- ▶ **Switch the power tool on or off only when the mixing paddle is immersed in the material for mixing.** Failure to do so can cause a loss of control with resultant risk of injury.

## **2.3 Additional safety precautions for screwdrivers**

#### **Personal safety**

- ▶ Use the product and accessories only when they are in perfect working order.
- ▶ Never tamper with or modify the product or accessories in any way.
- ▶ Use auxiliary grips supplied with the product. Loss of control can cause personal injury.
- ▶ Always hold the product with both hands on the grips provided. Keep the grips clean and dry.
- ▶ Do not touch rotating parts – risk of injury!
- ▶ Wear suitable eye protection, a hard hat, ear protection, and light respiratory protection while the product is in use.



- ▶ Wear protective gloves when changing the accessory tool. Touching the accessory tool can result in cuts and burns.
- ▶ Wear eye protection. Flying fragments can injure the body and eyes.
- ▶ Dust produced by grinding, sanding, cutting and drilling can contain dangerous chemicals. Some examples are: lead or lead-based paints; brick, concrete and other masonry products, natural stone and other products containing silicates; certain types of wood, such as oak, beech and chemically treated wood; asbestos or materials that contain asbestos. Determine the exposure of the operator and bystanders by means of the hazard classification of the materials to be worked. Implement the necessary measures to restrict exposure to a safe level, for example by the use of a dust collection system or by the wearing of suitable respiratory protection. The general measures for reducing exposure include:
  - ▶ working in an area that is well ventilated,
  - ▶ avoidance of prolonged contact with dust,
  - ▶ directing dust away from the face and body,
  - ▶ wearing protective clothing and washing exposed areas of the skin with water and soap.
- ▶ Take frequent breaks and do physical exercises to improve the blood circulation in your fingers. High vibration during long periods of work can lead to disorders of the blood vessels and nervous system in the fingers, hands and wrists.

### Electrical safety

- ▶ Before beginning work, check the working area for concealed electric cables or gas and water pipes. External metal parts of the product could give you an electric shock or cause an explosion if you accidentally damage an electric cable or a gas or water pipe.

### Power tool use and care

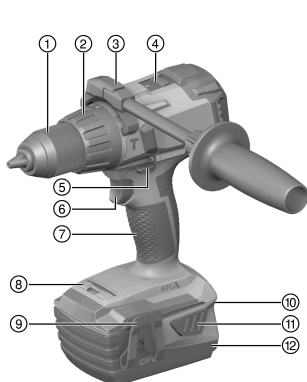
- ▶ Switch the product off immediately if the accessory tool jams. The product might twist off-line.
- ▶ Wait until the product stops completely before you lay it down.

## 2.4 Careful handling and use of batteries

- ▶ Observe the special guidelines applicable to the transport, storage and use of lithium-ion batteries.
- ▶ Do not expose batteries to high temperatures, direct sunlight or fire.
- ▶ Do not disassemble, crush or incinerate batteries and do not subject them to temperatures over 80 °C (176 °F).
- ▶ Do not use or charge batteries that have suffered mechanical impact, have been dropped from a height or show signs of damage. In this case, always contact your **Hilti Service**.
- ▶ If the battery is too hot to touch it may be defective. Put the battery in a place where it is clearly visible and where there is no risk of fire, at an adequate distance from flammable materials. Allow the battery to cool down. If it is still too hot to touch after an hour, the battery is faulty. Contact **Hilti Service**.

## 3 Description

### 3.1 Overview



- ① Keyless chuck
- ② Torque and operating mode selector ring
- ③ Side handle
- ④ Gear selector switch
- ⑤ Forward/reverse selector switch with safety lock
- ⑥ Control switch (with electronic speed control)
- ⑦ Grip
- ⑧ Light to illuminate the work area
- ⑨ Belt hook (optional)
- ⑩ Charge-status and fault indicator (Li-ion battery)
- ⑪ Battery release button
- ⑫ Battery



### 3.2 Intended use

The product described is a hand-held cordless drill/driver. It is designed for drilling in steel, wood, plastic, cellular concrete and masonry and for driving and removing screws.

- ▶ Use only **Hilti** Li-ion batteries of the B 22 series with this product.
- ▶ Use only the **Hilti** battery chargers of the C4/36 series to charge these batteries.

### 3.3 Items supplied

Drill / driver, side handle, operating instructions.

Other system products approved for use with this product can be found at your local **Hilti Store** or online at: [www.hilti.group](http://www.hilti.group) | USA: [www.hilti.com](http://www.hilti.com)

### 3.4 Lithium-ion battery status display

The Li-ion battery state of charge and malfunctions of the power tool are indicated by the display on the Li-ion battery. The Li-ion battery state of charge is displayed after pressing one of the two battery release buttons.

Status	Meaning
4 LEDs light.	State of charge: 75 % to 100 %
3 LEDs light.	State of charge: 50 % to 75 %
2 LEDs light.	State of charge: 25 % to 50 %
1 LED lights.	State of charge: 10 % to 25 %
1 LED blinks.	State of charge: < 10 %
1 LED flashes, the power tool is not in working order.	The battery has overheated or is completely discharged.
4 LEDs flash, the power tool is not in working order.	The power tool is overloaded or has overheated.

Battery state of charge cannot be displayed while the control switch is pressed and for up to 5 seconds after releasing the control switch.

If the battery display LEDs blink, please observe the instructions given in the Troubleshooting section.

### 3.5 ATC

The product is equipped with the ATC (Active Torque Control) quick-acting electronic cut-out.

If the accessory tool sticks or stalls, the product will suddenly pivot about its own axis in the opposite direction. ATC detects this sudden pivoting movement of the product and switches the product off immediately.

For ATC to function correctly, the product must be free to pivot.

After an ATC cut-out, switch the product off and then on again.

### 3.6 Overload and overheating indicator

The power tool has an electronic system to protect against overload and overheating. The power tool switches off automatically in the event of overload or overheating. The power tool might not restart immediately when the control switch is pressed after being released (cooling phase).

## 4 Technical data

		SF 6-A22	SF 6H-A22
<b>Rated voltage</b>		21.6 V <sub>DC</sub>	21.6 V <sub>DC</sub>
<b>Weight in accordance with EPTA Procedure 01 including B228.0 battery</b>		3.1 kg	3.1 kg
<b>Speed</b>	<b>1st gear</b>	0 /min ... 490 /min	0 /min ... 490 /min
	<b>2nd gear</b>	0 /min ... 2,000 /min	0 /min ... 2,000 /min
<b>Torque (soft joint) </b>		≤ 65 Nm	≤ 65 Nm
<b>Impact speed</b>		*/*	36,000 /min



	SF 6-A22	SF 6H-A22
Ambient temperature for operation	-17 °C ... 60 °C	-17 °C ... 60 °C
Storage temperature	-20 °C ... 70 °C	-20 °C ... 70 °C

#### 4.1 Battery

Battery operating voltage	21.6 V
Ambient temperature for operation	-17 °C ... 60 °C
Storage temperature	-20 °C ... 40 °C
Battery charging starting temperature	-10 °C ... 45 °C

#### 4.2 Accessory tools – permissible diameters

Ø range of keyless chuck	1.5 mm ... 13 mm
Ø wood drill bits (hardwood)	1.5 mm ... 20 mm
Ø wood drill bits (softwood)	1.5 mm ... 32 mm
Ø drill bits for metal	1.5 mm ... 13 mm
Ø drilling in concrete/masonry (hammer-action drilling)	4 mm ... 12 mm

#### 4.3 Noise information and vibration values in accordance with EN 62841

The sound pressure and vibration values given in these instructions were measured in accordance with a standardized test and can be used to compare one power tool with another. They can also be used for a preliminary assessment of exposure.

The data given represent the main applications of the power tool. However, if the power tool is used for different applications, with different accessory tools, or is poorly maintained, the data can vary. This can significantly increase exposure over the total working period.

An accurate estimation of exposure should also take into account the times when the tool is switched off, or when it is running but not actually being used for a job. This can significantly reduce exposure over the total working period.

Identify additional safety measures to protect the operator from the effects of noise and/or vibration, for example: maintaining the power tool and accessory tools, keeping the hands warm, organization of work patterns.

##### Noise emission values

	SF 6-A22	SF 6H-A22
Emission sound pressure level ( $L_{pA}$ )	78 dB(A)	91 dB(A)
Uncertainty for the sound pressure level ( $K_{pA}$ )	3 dB(A)	3 dB(A)
Sound power level ( $L_{WA}$ )	89 dB(A)	102 dB(A)
Uncertainty for the sound power level ( $K_{WA}$ )	3 dB(A)	3 dB(A)

##### Total vibration

	SF 6-A22	SF 6H-A22
Vibration emission value for drilling in metal ( $a_{h,D}$ )	1.4 m/s <sup>2</sup>	2.8 m/s <sup>2</sup>
Uncertainty for drilling in metal (K)	1.5 m/s <sup>2</sup>	1.5 m/s <sup>2</sup>
Vibration emission value for screwdriving ( $a_s$ )	0.8 m/s <sup>2</sup>	1.1 m/s <sup>2</sup>
Uncertainty for screwdriving (K)	1.5 m/s <sup>2</sup>	1.5 m/s <sup>2</sup>
Vibration emission value for hammer-action drilling in concrete ( $a_{h,D}$ )	*/•	15.4 m/s <sup>2</sup>
Uncertainty for hammer-action drilling in concrete (K)	*/•	1.5 m/s <sup>2</sup>



## 5 Operation

---

### 5.1 Inserting the battery

 **WARNING**

**Risk of injury by short circuit or falling battery!**

- ▶ Before inserting the battery, make sure that the contacts on the battery and the contacts on the product are free of foreign matter.
  - ▶ Make sure that the battery always engages correctly.
- 

1. Charge the battery fully before using it for the first time.
2. Push the battery into the product until it engages with an audible click.
3. Check that the battery is seated securely.

### 5.2 Removing the battery

1. Press the battery release buttons.
2. Remove the battery from the tool.

### 5.3 Charging the battery

1. Before charging the battery, read the operating instructions for the charger.
2. Make sure that the contacts on the battery and the contacts on the charger are clean and dry.
3. Use an approved charger to charge the battery. → page 6

### 5.4 Installing the side handle

 **CAUTION**

**Risk of injury!** Loss of control over the rotary hammer drill.

- ▶ Check that the side handle is fitted correctly and tightened securely. Make sure that the clamps are correctly seated in the grooves provided for the purpose.
- 


1. Move the forward/reverse switch into the middle position.
2. Turn the grip to release the clamps of the side handle.
3. Seat the side handle clamping band fully on the housing and push the clamps into the grooves provided for the purpose.
4. Turn the grip to tension the clamps of the side handle.

### 5.5 Fitting the belt hook (optional)

 **WARNING**

**Risk of injury.** A falling power tool may present a risk of injury to yourself and others.

- ▶ Check that the belt hook is fitted securely before beginning work.
- 

-  The belt hook allows the power tool to be attached to a belt worn by the operator. The belt hook can be fitted to allow attachment on the left or right side of the body.
- 

1. Remove the battery. → page 8
2. Insert the belt hook into the opening provided at the base of the product.
3. Secure the belt hook with the two screws.
4. Insert the battery. → page 8

### 5.6 Installing Hilti bit holder (optional)

1. Remove the battery. → page 8
2. Insert the bit holder into either the left or right opening provided at the base of the product.
3. Secure the bit holder with the two screws.
4. Insert the battery. → page 8



## 5.7 Installing the Hilti retaining strap (optional)

### ATTENTION

**Damage to the product and / or the retaining leash.** Incorrect handling can result in damage to the product and/or retaining leash.

- ▶ Do not use a metal chain as a retaining leash. Do not use a retaining leash with a length of more than 2,0 m (6 ft).

To avoid damage and injury, when working at a height it is advisable to use the **Hilti** retaining strap. The retaining strap allows a securing cord or lanyard to be attached.  
When working with the product, you must comply with national regulations for working at heights.

1. Remove the battery. → page 8
2. Insert the two tabs on the retaining strap into the slots on each side of the base.
3. Secure the retaining strap with the screws supplied.
4. Insert the battery. → page 8

## 5.8 Selecting the gear

- ▶ Select the gear.

## 5.9 Setting forward or reverse rotation

An interlock prevents switching while the motor is running.  
The control switch is locked when the forward/reverse switch is in the middle position (safety lock).

- ▶ Set the forward/reverse selector switch to forward or reverse rotation, as applicable.

## 5.10 Inserting / removing the accessory tool

1. Set the forward/reverse switch to the middle position or remove the battery from the power tool.
2. Open the keyless chuck.
3. Insert the accessory tool into the chuck or remove it from the chuck.
4. Tighten the keyless chuck.
5. Check that the accessory tool is held securely.

## 5.11 Drilling

### CAUTION

**Risk of injury.** The accessory tool may suddenly stall, causing the power tool to rotate about its own axis.

- ▶ Use the power tool with the side handle fitted and always hold it securely with both hands.
- ▶ Always grip the side handle at its outermost end.

### CAUTION

**Risk of injury.** Risk of flying fragments.

- ▶ Wear eye protection.
- ▶ Set the torque and operating mode selector ring to the “Drilling” symbol .



## 5.12 Hammer-action drilling

SF 6H-A22

- ▶ Set the selector ring to the “Hammer-action drilling” position .

## 5.13 Screwdriving

- ▶ Set the torque and operating mode selector ring to the required torque.

## 5.14 Switching on

- ▶ Press the control switch.
  - ▶ Speed is steplessly adjustable from minimum to maximum.

## 5.15 Switching off

- ▶ Release the control switch.

# 6 Care and maintenance



### WARNING

#### Risk of injury with battery inserted !

- ▶ Always remove the battery before carrying out care and maintenance tasks!

#### Care of the product

- Carefully remove stubborn dirt.
- Carefully clean the air vents, if present, with a dry, soft brush.
- Use only a slightly damp cloth to clean the housing. Do not use cleaning agents containing silicone as these can attack the plastic parts.
- Use a dry, clean cloth to clean the contacts of the product.

#### Care of the Li-ion batteries

- Never use a battery with clogged air vents. Clean the air vents carefully using a dry, soft brush.
- Avoid unnecessary exposure of the battery to dust and dirt. Never expose the battery to high levels of moisture (e.g. by being dipped in water or left in the rain).  
If a battery has been soaked by moisture, treat it as a damaged battery. Isolate it in a non-flammable container and consult **Hilti Service**.
- Keep the battery free of extraneous oil and grease. Do not permit dust or dirt to accumulate unnecessarily on the battery. Clean the battery with a dry, soft brush or a clean, dry cloth. Do not use cleaning agents containing silicone as these can attack the plastic parts.  
Do not touch the contacts of the battery and do not remove the factory-applied grease from the contacts.
- Use only a slightly damp cloth to clean the housing. Do not use cleaning agents containing silicone as these can attack the plastic parts.

#### Maintenance

- Check all visible parts and controls for signs of damage at regular intervals and make sure that they all function correctly.
- Do not use the product if signs of damage are found or if parts malfunction. Immediately have the product repaired by **Hilti Service**.
- After cleaning and maintenance, install all guards and protective devices and check that they are in full working order.



To help ensure safe and reliable operation, use only genuine Hilti spare parts and consumables. Spare parts, consumables and accessories approved by **Hilti** for use with your product can be found at your **Hilti Store** or online at: [www.hilti.group](http://www.hilti.group)





## 7 Transport and storage of cordless tools and batteries

### Transport

#### CAUTION

#### Accidental starting during transport !

- ▶ Always transport your products with the batteries removed!
- ▶ Remove the battery/batteries.
- ▶ Never transport batteries loose and unprotected. During transport, batteries should be protected from excessive shock and vibration and isolated from any conductive materials or other batteries that may come in contact with the terminals and cause a short circuit. **Comply with the locally applicable regulations for transporting batteries.**
- ▶ Do not send batteries through the mail. Consult your shipper for instructions on how to ship undamaged batteries.
- ▶ Prior to each use and before and after prolonged transport, check the product and the batteries for damage.

### Storage

#### WARNING

#### Accidental damage caused by defective or leaking batteries !

- ▶ Always store your products with the batteries removed!
- ▶ Store the product and the batteries in a cool and dry place. Comply with the temperature limits stated in the technical data.
- ▶ Do not store batteries on the charger. Always remove the battery from the charger when the charging operation has completed.
- ▶ Never leave batteries in direct sunlight, on sources of heat, or behind glass.
- ▶ Store the product and batteries where they cannot be accessed by children or unauthorized persons.
- ▶ Prior to each use and before and after prolonged storage, check the product and the batteries for damage.

## 8 Troubleshooting

If the trouble you are experiencing is not listed in this table or you are unable to remedy the problem by yourself, please contact **Hilti Service**.

### 8.1 Troubleshooting

Trouble or fault	Possible cause	Action to be taken
The drill / driver does not work.	The battery is not correctly inserted.	▶ Insert the battery. → page 8
	Battery is discharged.	▶ Change the battery and charge the empty battery.
All 4 LEDs flash. The drill / driver does not work.	The drill / driver was overloaded briefly.	▶ Release the control switch and then press it again.
	Protection against overheating	▶ Wait until the drill / driver cools down and then clean the air vents.
1 LED flashes. The drill / driver does not work.	Battery is discharged.	▶ Change the battery and charge the empty battery.
	The battery is too cold.	▶ Bring the battery to the recommended working temperature.
	The battery is too hot.	▶ Bring the battery to the recommended working temperature.
SF 6H-A22 Hammer-action drilling is not possible.	The operating mode is not set correctly at the selector ring.	▶ Set the selector ring to the "Hammer-action drilling" position  T.



Trouble or fault	Possible cause	Action to be taken
The control switch cannot be pressed, or is stuck.	The forward/reverse selector switch is in the middle position (transport position).	▶ Set the forward/reverse selector switch to forward or reverse rotation, as applicable. → page 9
The drill / driver or the battery gets very hot.	Electrical fault	▶ Switch the drill / driver off immediately, remove the battery and contact <b>Hilti Service</b> .
	The drill / driver is overloaded (application limit exceeded).	▶ Check the application.

## 9 Disposal

### WARNING

**Risk of injury due to incorrect disposal!** Health hazards due to escaping gases or liquids.

- ▶ DO NOT send batteries through the mail!
- ▶ Cover the terminals with a non-conductive material (such as electrical tape) to prevent short circuiting.
- ▶ Dispose of your battery out of the reach of children.
- ▶ Dispose of the battery at your **Hilti Store**, or consult your local governmental garbage disposal or public health and safety resources for disposal instructions.

Most of the materials from which **Hilti** products are manufactured can be recycled. The materials must be correctly separated before they can be recycled. In many countries, your old tools, machines or appliances can be returned to **Hilti** for recycling. Ask **Hilti Service** or your Hilti sales representative for further information.



- ▶ Do not dispose of power tools, electronic equipment or batteries as household waste!

## 10 RoHS (Restriction of Hazardous Substances)

Click on the links to go to the table of hazardous substances:

- SF 6-A22: [qr.hilti.com/r9370541](https://qr.hilti.com/r9370541)
- SF 6H-A22: [qr.hilti.com/r9370482](https://qr.hilti.com/r9370482)

There is a link to the RoHS table, in the form of a QR code, at the end of this document.

## 11 Manufacturer's warranty

- ▶ Please contact your local **Hilti** representative if you have questions about the warranty conditions.

# Originalno uputstvo za upotrebu

## 1 Podaci o dokumentaciji

### 1.1 O ovoj dokumentaciji

- Pročitajte ovu dokumentaciju pre početka rada. To predstavlja preduslov za bezbedan rad i nesmetano rukovanje.
- Obratite pažnju na bezbednosne i upozoravajuće napomene koje se nalaze u ovoj dokumentaciji i na proizvodu.
- Uputstvo za rukovanje uvek čuvajte na proizvodu i samo ga sa ovim uputstvom prosledujte dalje drugim osobama.

### 1.2 Legenda

#### 1.2.1 Upozoravajuće napomene

Upozoravajuće napomene upozoravaju na opasnosti pri rukovanju proizvodom. Koriste se sledeće signalne reči:



**⚠ OPASNOST**

**OPASNOST !**

- ▶ Znači neposrednu opasnu situaciju, koja može prouzrokovati telesne povrede ili smrt.

**⚠ UPOZORENJE**

**UPOZORENJE !**

- ▶ Ova reč skreće pažnju na moguću opasnost koja može prouzrokovati tešku telesnu povredu ili smrt.

**⚠ OPREZ**

**OPREZ !**

- ▶ Za moguću opasnu situaciju koja može da dovede do telesnih povreda ili do materijalne štete.

**1.2.2 Simboli u uputstvu za upotrebu**

Sledeći simboli se koriste u ovom uputstvu za upotrebu:

	Poštovanje uputstva za upotrebu
	Napomene o primeni i druge korisne informacije
	Rad sa reciklažnim materijalima
	Električne uređaje i baterije ne odlažite u kućni otpad
	<b>Hilti</b> Li-Ion akumulatorska baterija
	<b>Hilti</b> Punjač

**1.2.3 Simboli na slikama**

Sledeći simboli se koriste na slikama:

	Ovi brojevi se odnose na odgovarajuću sliku sa početka ovog uputstva za upotrebu.
	Numerisanje reflektuje redosled radnih koraka na slici i može da odstupa od radnih koraka u tekstu.
	Pozicioni brojevi se koriste na slici <b>Pregled</b> i odnose se na brojeve legende u poglavlju <b>Pregled proizvoda</b> .
	Ovaj znak bi trebalo da vas podstakne na poseban oprez prilikom rada sa proizvodom.

**1.3 Simboli u zavisnosti od proizvoda**

**1.3.1 Simboli na proizvodu**

Sledeći simboli se koriste na proizvodu:

	Proizvod podržava bežični prenos podataka, koji je kompatibilan sa iOS i Android platformama.
	Upotrebljena kategorija <b>Hilti</b> Li-Ion akumulatorske baterije. Imajte u vidu podatke u poglavlju <b>Namenska upotreba</b> .
	Li-Ion akumulatorska baterija
	Nikada ne koristite akumulatorsku bateriju kao alat za udaranje.
	Ne dozvolite da akumulatorska baterija padne. Ne koristite akumulatorsku bateriju koja je pretrpela udar ili je oštećena na neki drugi način.
	Jednosmerna struja



	Bušenje bez udarca
	Bušenje pomoću udara (udarno bušenje)
	Klasa zaštite II (dvostruka izolacija)
$n_0$	Nominalni broj obrtaja u slobodnom hodu
/min	Broj obrtaja u minuti

#### 1.4 Informacije o proizvodu

Proizvodi su namenjeni za profesionalnog korisnika, a njima sme da rukuje, da ih održava ili popravlja samo ovlašćeno, upućeno osoblje. To osoblje mora biti posebno upoznato sa mogućim opasnostima. Proizvod i njegova pomoćna sredstva mogu da budu opasni ako ih neobučena lica nestručno tretiraju ili ako se ne koriste namenski.

Oznaka tipa i serijski broj su navedeni na tipskoj pločici.

- ▶ Prenesite serijski broj u sledeću tabelu. Podaci o proizvodu će vam biti potrebni kada budete kontaktirali naše predstavništvo ili servis.

##### Podaci o proizvodu

Zavrtač-bušilica	SF 6-A22   SF 6H-A22
Generacija	02
Serijski br.	

#### 1.5 Izjava o usklađenosti

Pod vlastitom odgovornošću izjavljujemo da je ovde opisani proizvod u skladu sa važećim smernicama i normama. Primerak izjave o usklađenosti nalazi se na kraju ove dokumentacije.

Tehnička dokumentacija se čuva ovde:

Hilti Entwicklungsgesellschaft mbH | Zulassung Geräte | Hiltistraße 6 | 86916 Kaufering, DE

## 2 Sigurnost

### 2.1 Opšte sigurnosne napomene za električne alate

**⚠ UPOZORENJE** Pročitajte pažljivo sigurnosne napomene, uputstva, pregledajte slike i pročitajte tehničke podatke, koje idu uz ovaj električni alat. Greške kod pridržavanja sledećih sigurnosnih napomena i uputstava mogu dovesti do električnog udara, požara i/ili teških povreda.

**Molimo sačuvajte sve sigurnosne napomene i uputstva za ubuduće.**

Pojam "električni alat" korišćen u sigurnosnim napomenama odnosi se na električne alate sa napajanjem iz električne mreže (sa mrežnim kablom) i na električne alate sa pogonom na akumulatoru (bez mrežnog kabla).

#### Sigurnost na radnom mestu

- ▶ **Područje rada održavajte čistim i osvetljenim.** Nered i neosvetljeno radno područje mogu dovesti do nezgoda.
- ▶ **Sa električnim alatom ne radite u okolini ugroženoj eksplozijom, u kojoj se nalaze zapaljive tečnosti, gasovi ili prašine.** Električni alati proizvode iskre koje mogu zapaliti prašinu ili isparenja.
- ▶ **Decu i ostale osobe tokom korišćenja električnog alata udaljite iz područja rada.** Ako biste skrenuli pažnju sa posla mogli biste izgubiti kontrolu nad uređajem.

#### Električna sigurnost

- ▶ **Priključni utikač električnog alata treba da odgovara utičnici. Na utikaču se ni u kom slučaju ne smeju izvoditi izmene. Ne koristite adapterske utikače zajedno sa zaštitno uzemljenim električnim alatima.** Nepromenjeni utikači i odgovarajuće utičnice smanjuju opasnost od električnog udara.
- ▶ **Izbegavajte dodir tela sa uzemljenim površinama kao što su cevi, radijatori, šporeti i frižideri.** Postoji povećana opasnost od električnog udara ako je vaše telo uzemljeno.
- ▶ **Električni alat držite dalje od kiše ili vlage.** Prodiranje vode u električni alat povećava opasnost od električnog udara.
- ▶ **Kabl ne upotrebljavajte za nošenje ili vešanje električnog alata odnosno za izvlačenje utikača iz utičnice. Kabl držite dalje od izvora toplote, ulja, oštih ivica ili pokretnih delova.** Oštećeni ili zapleteni kablovi povećavaju opasnost od električnog udara.



- ▶ **Ako sa električnim alatom radite na otvorenom prostoru, upotrebljavajte samo produžne kablove odobrene za upotrebu na otvorenom prostoru.** Primena produžnog kabla prikladnog za upotrebu na otvorenom prostoru smanjuje opasnost od električnog udara.
- ▶ **Ako ne možete izbeći rad električnog alata u vlažnom okruženju, koristite zaštitnu strujnu sklopku.** Upotreba zaštitne strujne sklopke smanjuje opasnost od električnog udara.

### Sigurnost ljudi

- ▶ **Budite oprezni, pazite šta činite i kod rada sa električnim alatom postupajte razumno. Nemojte koristiti električni alat, ako ste umorni ili ste pod uticajem droga, alkohola ili lekova.** Momenat nepažnje prilikom upotrebe električnog alata može da dovede do ozbiljnih povreda.
- ▶ **Nosite sredstva lične zaštite i uvek zaštitne naočare.** Nošenje sredstava lične zaštite, kao što su zaštitna maska, sigurnosne cipele koje ne klize, zaštitna kaciga ili štitnik za sluh, u zavisnosti od vrste i primene električnog alata, smanjuje opasnost od nezgoda.
- ▶ **Izbegavajte nehotično stavljanje u pogon. Uverite se, da je električni alat isključen, pre nego što priključite snabdevanje naponom i/ili akumulator, ili ga primite ili nosite.** Ako kod nošenja električnog alata prst držite na prekidaču ili ako je alat uključen i priključen na električnu mrežu, to može dovesti do nezgoda.
- ▶ **Pre nego što uključite električni alat, uklonite alate za podešavanje ili vijčane ključeve.** Alat ili ključ koji se nalazi u rotirajućem delu alata može dovesti do nezgoda.
- ▶ **Izbegavajte nenormalan položaj tela. Zauzmite siguran i stabilan položaj tela i u svakom trenutku održavajte ravnotežu.** Na taj način električni alat možete bolje kontrolisati u neočekivanim situacijama.
- ▶ **Nosite prikladnu odeću. Ne nosite široku odeću ili nakit. Neka vaša kosa, odeća i rukavice budu što dalje od pokretnih delova.** Opuštenu odeću, nakit ili dugu kosu mogu zahvatiti pokretni delovi alata.
- ▶ **Ako su montirani alati za usisavanje i hvatanje prašine, proverite jesu li isti priključeni i da li se pravilno koriste.** Upotreba usisivača može smanjiti opasnost.
- ▶ **Nikada nemojte da se osećate previše sigurnim i nikada nemojte da se ne pridržavate pravila u vezi rukovanja električnim alatom, iako ste nakon dužeg rada dobro upoznati sa radom sa električnim alatom.** Neodgovornim rukovanjem moguće je za samo nekoliko sekundi zadobiti teške povrede.

### Upotreba i rukovanje električnim alatom

- ▶ **Ne preopterećujte alat. Za vrstu posla koji obavljate koristite za to predviđen električni alat.** Sa odgovarajućim električnim alatom radićete bolje i sigurnije, u navedenom području snage.
- ▶ **Ne upotrebljavajte električni alat sa neispravnim prekidačem.** Električni alat koji se više ne može uključiti ili isključiti, opasan je i treba ga popraviti.
- ▶ **Izvučite utikač iz utičnice i/ili izvadite akumulator koji se skida iz alata pre podešavanja alata, zamene delova pribora ili odlaganja alata.** Ovim merama opreza sprečićete nehotično pokretanje električnog alata.
- ▶ **Nekorišćene električne alate držite van domašaja dece. Ne dozvolite da alat koriste osobe koje sa njim nisu upoznate ili koje nisu pročitale ova uputstva.** Električni alati su opasni ako ih koriste neiskusne osobe.
- ▶ **Pažljivo održavajte električne alate i pribor. Uverite se da pokretljivi delovi električnog alata rade besprekorno i da nisu zaglavljani, polomljeni ili oštećeni tako da negativno utiču na funkcionisanje alata. Oštećene delove popravite pre upotrebe alata.** Uzrok mnogih nezgoda leži u loše održavanim električnim alatima.
- ▶ **Rezne alate održavajte oštrim i čistim.** Brižljivo održavani rezni alati sa oštrim sečivima neće se zaglaviti i lakši su za vođenje.
- ▶ **Koristite električni alat, pribor, alate za umetanje itd. u skladu sa ovim uputstvom. Kod toga uzmete u obzir radne uslove i izvođene radove.** Upotreba električnih alata za neke druge primene različite od predviđenih, može dovesti do opasnih situacija.
- ▶ **Rukohvati i površine za hvatanje moraju biti suve, čiste, bez ostataka ulja i masti.** Klizavi rukohvati i površine za hvatanje onemogućavaju sigurno rukovanje i kontrolu električnog alata u nepredvidivim situacijama.

### Upotreba i rukovanje akumulatorskim alatom

- ▶ **Akumulatore punite samo u punjačima koje preporučuje proizvođač.** Kod punjača, koji je prikladan za određenu vrstu akumulatora, postoji opasnost od požara ako se koristi sa drugim akumulatorima.
- ▶ **Za električne alate upotrebljavajte samo za to predviđene akumulatore.** Upotreba nekog drugog akumulatora može dovesti do povreda i opasnosti od požara.
- ▶ **Nekorišćeni akumulator držite dalje od kancelarijskih spjalica, kovanica, ključeva, klinova, vijaka ili drugih sitnih metalnih predmeta koji bi mogli prouzrokovati premošćenje kontakata.** Kratak spoj između kontakata akumulatora može dovesti do opekotina ili do požara.



- ▶ **Kod neispravne primene može doći do curenja tečnosti iz akumulatora. Izbegavajte kontakt sa njom. U slučaju nehotičnog kontakta isperite vodom. Ako tečnost dospe u oči, dodatno potražite pomoć doktora.** Tečnost koja iscuri iz akumulatora, može dovesti do nadražaja kože ili opekotina.
- ▶ **Nemojte da koristite oštećene ili modifikovane akumulatore.** Oštećeni ili modifikovani akumulatori mogu biti veoma nepredvidljivi i da dovedu do nastanka požara, eksplozije i povređivanja.
- ▶ **Nemojte da izlažete akumulator vatri ili visokim temperaturama.** Vatra ili temperature iznad 130 °C (265 °F) mogu da dovedu do eksplozije.
- ▶ **Pridržavajte se svih uputstava u vezi punjenja i nikada nemojte da puniti akumulator ili alat sa akumulatorom izvan temperaturnog opsega navedenog u uputstvu za upotrebu.** Pogrešno punjenje ili punjenje izvan dozvoljenog temperaturnog opsega može da uništi akumulator i da predstavlja opasnost od nastanka požara.

#### Servisiranje

- ▶ **Popravku električnog alata prepustite samo kvalifikovanom stručnom osoblju i samo sa originalnim rezervnim delovima.** Na taj način postići će se održavanje sigurnosti alata.
- ▶ **Nikada nemojte da održavate oštećene akumulatore.** Sva održavanja akumulator treba da obavlja proizvođač ili ovlašćeni servis za kupce.

## 2.2 Sigurnosne napomene za bušilice

#### Sigurnosne napomene za sve radove

- ▶ **Kod udarnog bušenja nosite zaštitu za uši.** Delovanje buke može uzrokovati gubitak sluha.
- ▶ **Upotrebljavajte dodatni rukohvat.** Gubitak kontrole može prouzrokovati telesne povrede.
- ▶ **Električni alat držite samo za izolovane prihvatne površine ako izvodite radove kod kojih alat za umetanje ili zavrtnji mogu pogoditi skrivene strujne vodove.** Kontakt sa provodljivim vodom može pod napon staviti i metalne delove uređaja i dovesti do električnog udara.

#### Sigurnosne napomene pri korišćenju dugih bušilica

- ▶ **Ni u kom slučaju nemojte raditi sa većim brojem obrtaja od dopuštenog broja obrtaja za bušilicu.** Kod većih brojeva obrtaja, bušilica može da se blago iskrivi ako može da se okreće i bez kontakta sa radnim komadom, što može da dovede do povreda.
- ▶ **Postupak bušenja uvek počnite sa malim brojem obrtaja i dok bušilica ima kontakt sa radnim komadom.** Kod većih brojeva obrtaja, bušilica može da se blago iskrivi ako može da se okreće i bez kontakta sa radnim komadom, što može da dovede do povreda.
- ▶ **Nemojte primenjivati prekomerni pritisak i samo u uzdužnom smeru bušilice.** Bušilice mogu da se saviju i na taj način slome ili mogu da izgube kontrolu, što može da dovede do povreda.

#### Sigurnosne napomene pri upotrebi korpi za mešanje i posuda za mešanje

- ▶ **Električni alat uključujte ili isključujte samo ako se u korpi za mešanje nalazi materijal.** U suprotnom, može doći do gubitka kontrole, što može da dovede do povreda.

## 2.3 Dodatne sigurnosne napomene za zavrtač

#### Bezbednost ljudi

- ▶ Koristite proizvod i pribor samo dok je u tehnički besprekornom stanju.
- ▶ Nikad nemojte vršiti manipulacije ili promene na proizvod ili priboru.
- ▶ Upotrebljavajte dodatne rukohvate isporučene sa proizvodom. Gubitak kontrole može prouzrokovati telesne povrede.
- ▶ Proizvod uvek držite čvrsto sa obe ruke za predviđene rukohvate. Redovno čistite rukohvate i održavajte ih suvim.
- ▶ Nemojte da dodirujete rotirajuće delove - opasnost od povređivanja!
- ▶ Prilikom upotrebe proizvoda koristite odgovarajuće zaštitne naočare, zaštitni šlem, zaštitu za sluh i laganu zaštitu za disajne organe.
- ▶ Nosite zaštitne rukavice prilikom zamene alata. Dodirivanje namenskog alata može da dovede do posekotina i opekotina.
- ▶ Koristite zaštitne naočare. Odvojeni materijal može da povredi telo i oči.



- ▶ Prašina, koja nastaje prilikom brušenja, šmirglanja, i bušenja, može da sadrži opasne hemikalije. Neki primeri su: olovo ili boja na bazi olova; cigla, beton i drugi proizvodi za zidanje, prirodni kamen, i drugi proizvodi koji sadrže silikat; određena drva, kao što su hrast, bukva i hemijski obrađeno drvo; azbest ili materijali koji sadrže azbest. Odredite izloženost korisnika i posmatrača prema klasi opasnosti materijala na kojima se radi. Preduzmite neophodne mere za održavanje izlaganja na sigurnom nivou, kao što su npr. primena sistema za sakupljanje prašine ili nošenje odgovarajuće zaštite za disanje. Opšte mere za smanjenje izloženosti uključuju:
  - ▶ rad u dobro provetranom području,
  - ▶ izbegavanje dužeg kontakta sa prašinom,
  - ▶ skidanje prašine sa lica i tela,
  - ▶ nošenje zaštitne odeće i pranje izloženih područja vodom i sapunom.
- ▶ Pravite često pauze i radite vežbe za pospešivanje cirkulacije krvi u prstima. Pri dužim radovima može da dođe do toga da jake vibracije izazovu smetnje u krvnim sudovima ili u nervnom sistemu prstiju, šaka ili zglobova.

### Električna sigurnost

- ▶ Pre početka rada proverite da li u radnom prostoru postoje prekriveni električni kablovi ili cevi za gas ili vodu. Spoljašnji metalni delovi na proizvodu mogu da izazovu strujni udar ili eksploziju, ako oštete neki strujni kabl, cev za gas ili vodu.

### Brizljivo rukovanje i upotreba električnih alata

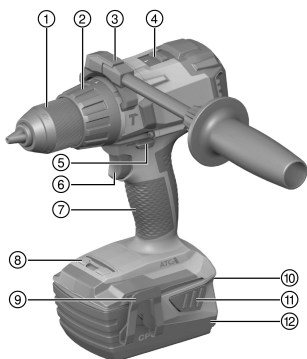
- ▶ Isključite proizvod odmah, ako alat za umetanje blokira. Proizvod se može bočno izmaknuti.
- ▶ Sačekajte dok se proizvod u potpunosti ne zaustavi, pre nego što ga odložite.

## 2.4 Pažljivo rukovanje i upotreba akumulatorske baterije

- ▶ Poštujte posebne smernice za transport, skladištenje i rad Li-Ion akumulatorske baterije.
- ▶ Akumulatorsku bateriju držite dalje od visokih temperatura, direktnog sunčevog zračenja i vatre.
- ▶ Akumulatorska baterija se ne sme rastavljati, gnječiti, zagrevati iznad 80°C (176°F).
- ▶ Ne koristite ili ne punitve akumulatorske baterije, koje su pretrpele strujni udar, koje su pale sa više od jednog metra ili su oštećene na neki drugi način. U tom slučaju, uvek stupite u kontakt sa svojim **Hilti servisom**.
- ▶ Ako je akumulatorska baterija suviše vruća da biste je držali u ruci, onda je moguće da je neispravna. Akumulatorsku bateriju postavite na pregledno, nezapaljivo mesto koje je dovoljno udaljeno od zapaljivih materijala. Sačekajte da se akumulatorska baterija ohladi. Ukoliko je akumulatorska baterija nakon sat vremena i dalje suviše vruća da biste je držali u ruci, to znači da je neispravna. Kontaktirajte **Hilti servis**.

## 3 Opis

### 3.1 Pregled 1



- ① Brzostezna glava
- ② Prsten za podešavanje obrtnog momenta i funkciju
- ③ Bočni rukohvat
- ④ Prekidač za promenu brzina
- ⑤ Sklopka za obrtanje na desno/levo sa blokadom uključivanja
- ⑥ Upravljačka sklopka (sa elektronskom regulacijom broja obrtaja)
- ⑦ Rukohvat
- ⑧ Osvetljenje radnog polja
- ⑨ Pojasna kuka (opciono)
- ⑩ Indikator stanja napunjenosti i grešaka (Li-Ion akumulator)
- ⑪ Tasteri za deblokiranje akumulatorske baterije
- ⑫ Akumulatorska baterija



### 3.2 Upotreba u skladu sa odredbama

Opisani proizvod je ručna akumulatorska zavrtač-bušilica. Namijenjena je za bušenje u čeliku, drvetu i plastici, lakom betonu i zidovima kao i za uvrtanje i otpuštanje zavrtnjeva.

- ▶ Za ovaj proizvod koristite isključivo **Hilti** Li-Ion akumulatorske baterije serije B 22.
- ▶ Za ove akumulatorske baterije koristite isključivo **Hilti** punjače C4/36 serije.

### 3.3 Sadržaj isporuke

Zavrtač-bušilica, bočni rukohvat, uputstvo za upotrebu.

Ostale, za proizvod odobrene proizvode sistema pronađite u okviru **Hilti Store** ili online na: [www.hilti.group](http://www.hilti.group)  
| SAD: [www.hilti.com](http://www.hilti.com)

### 3.4 Prikaz Li-Ion baterije

Nivo punjenja Li-Ion akumulatorske baterije i smetnje kod uređaja će biti signalizirane preko prikaza Li-Ion akumulatorske baterije. Status napunjenosti Li-Ion akumulatorske baterije se prikazuje posle dodirivanja jednog od dva tastera za deblokiranje akumulatorske baterije.

Stanje	Značenje
4 LED-a svetle.	Status napunjenosti: 75 % do 100 %
3 LED-a svetle.	Status napunjenosti: 50 % do 75 %
2 LED-a svetle.	Status napunjenosti: 25 % do 50 %
1 LED svetli.	Status napunjenosti: 10 % do 25 %
1 LED treperi.	Status napunjenosti: < 10 %
1 LED svetli, uređaj nije spreman za rad.	Baterija je pregrejana ili potpuno ispražnjena.
4 LED svetle, uređaj nije spreman za rad.	Uređaj je preopterećen ili pregrejan.

Ukoliko je prekidač za upravljanje aktiviran i 5 sekundi posle otpuštanja prekidača za upravljanje nije moguće da proverite status napunjenosti.

Kada trepere LED diode prikaza akumulatorske baterije, obratite pažnju na napomene u poglavlju „Pomoć u slučaju smetnji“.

### 3.5 ATC

Proizvod je opremljen elektronskim brzim isključivanjem ATC (Active Torque Control).

Ako se alat za umetanje blokira ili zaglavi, proizvod se okreće odjednom nekontrolisano u suprotnom smeru. ATC prepoznaje ovo nekontrolisano okretanje proizvoda i odmah isključuje uređaj.

Za pravilno funkcionisanje proizvod mora nesmetano da se okreće.

Nakon uspešnog brzog isključivanja, isključite proizvod i ponovo ga uključite.

### 3.6 Indikator preopterećenja i pregrevanja

Uređaj je opremljen elektronskom zaštitom od preopterećenja i zaštitom od pregrevanja. Kod preopterećenja ili pregrevanja uređaj se automatski isključuje. Ako otpustite i ponovo pritisnete upravljačku sklopku, može doći do kašnjenja uključanja (faze hlađenja uređaja).

## 4 Tehnički podaci

	SF 6-A22	SF 6H-A22
<b>Nominalni napon</b>	21,6 V <sub>DC</sub>	21,6 V <sub>DC</sub>
<b>Težina prema EPTA Procedure 01 uključujući akumulatorsku bateriju B228.0</b>	3,1 kg	3,1 kg
<b>Obrtni momenat</b>	<b>1. brzina</b>	0/min ... 490/min
	<b>2. brzina</b>	0/min ... 2.000/min
<b>Obrtni momenat (slabije zavrtnje vijaka) </b>	≤ 65 Nm	≤ 65 Nm
<b>Broj udaraca</b>	*/*	36.000/min





	SF 6-A22	SF 6H-A22
Temperatura okoline tokom rada	-17 °C ... 60 °C	-17 °C ... 60 °C
Temperatura skladištenja	-20 °C ... 70 °C	-20 °C ... 70 °C

#### 4.1 Akumulatorska baterija

Radni napon akumulatorske baterije	21,6 V
Temperatura okoline tokom rada	-17 °C ... 60 °C
Temperatura skladištenja	-20 °C ... 40 °C
Temperatura akumulatorske baterije na početku punjenja	-10 °C ... 45 °C

#### 4.2 Dozvoljeni prečnik za električne alate

Ø Raspon stezanja brzostezne glave	1,5 mm ... 13 mm
Ø Burgija za drvo (tvrdo)	1,5 mm ... 20 mm
Ø Burgija za drvo (meko)	1,5 mm ... 32 mm
Ø Bušilica za metal	1,5 mm ... 13 mm
Ø Bušenje u betonu/zidu (udarno bušenje)	4 mm ... 12 mm

#### 4.3 Informacije o šumu i vrednosti vibracija prema EN 62841

U ovim uputstvima navedene vrednosti pritiska zvuka i vibracija su izmerene u skladu sa normiranim postupkom merenja i možete zajedno da ih koristite za poređenje električnih alata. Takođe su primereni za preliminarnu procenu ekspozicija.

Navedeni podaci se odnose primarne primene električnog alata. Ako se električni alat inače koristi za druge primene sa alatima za umetanje koji se razlikuju ili nisu dovoljno dobro održavani, podaci se mogu razlikovati. To može znatno povećati ekspozicije tokom celokupnog radnog veka.

Za tačnu procenu ekspozicija treba uzeti u obzir i vremena, tokom kojih je uređaj bio isključen ili je radio, ali se zapravo nije koristilo. To može znatno smanjiti ekspozicije tokom celokupnog radnog veka.

Određite dodatne sigurnosne mere za zaštitu korisnika od delovanja zvuka i/ili vibracija kao npr.: održavanje električnog alata i alata za umetanje, održavanje toplih ruku, organizacija tokova rada.

#### Vrednosti emisije buke

	SF 6-A22	SF 6H-A22
Nivo emisije zvučnog pritiska ( $L_{pA}$ )	78 dB(A)	91 dB(A)
Nesigurnost nivoa pritiska zvuka ( $K_{pA}$ )	3 dB(A)	3 dB(A)
Nivo jačine buke ( $L_{WA}$ )	89 dB(A)	102 dB(A)
Nesigurnost nivoa jačine zvuka ( $K_{WA}$ )	3 dB(A)	3 dB(A)

#### Ukupne vrednosti vibracija

	SF 6-A22	SF 6H-A22
Vrednost emisije vibracije za bušenje u metalu ( $a_{h,D}$ )	1,4 m/s <sup>2</sup>	2,8 m/s <sup>2</sup>
Nepouzdanost bušenja u metalu (K)	1,5 m/s <sup>2</sup>	1,5 m/s <sup>2</sup>
Vrednost emisije vibracije za zavrtnje ( $a_h$ )	0,8 m/s <sup>2</sup>	1,1 m/s <sup>2</sup>
Nesigurnosni zavrtnji (K)	1,5 m/s <sup>2</sup>	1,5 m/s <sup>2</sup>
Vrednost emisije vibracije za udarno bušenje u betonu ( $a_{h,ID}$ )	*/•	15,4 m/s <sup>2</sup>
Nepouzdanost udarnog bušenja u betonu (K)	*/•	1,5 m/s <sup>2</sup>



## 5 Rukovanje

### 5.1 Umetanje akumulatorske baterije

#### UPOZORENJE

#### **Opasnost od povrede usled kratkog spoja ili pada akumulatorske baterije!**

- ▶ Pre postavljanja akumulatorske baterije u proizvod, uverite se da na kontaktima akumulatorske baterije i proizvoda nema stranih tela.
  - ▶ Uvek proverite da li akumulatorska baterija pravilno naleže.
- 
1. Pre prvog puštanja u rad u potpunosti napunite akumulatorsku bateriju.
  2. Gurnite akumulatorsku bateriju u proizvod, dok se ne čuje da se uklopila.
  3. Proverite da li je akumulatorska baterija ispravno ulegla.

### 5.2 Uklanjanje akumulatorske baterije

1. Pritisnite tastere za otključavanje akumulatora.
2. Izvucite akumulatorsku bateriju iz uređaja.

### 5.3 Punjenje akumulatorske baterije

1. Pre punjenja pročitajte uputstvo za rukovanje punjačem.
2. Vodite računa o tome da kontakti akumulatorske baterije i punjača treba da budu suvi i čisti.
3. Akumulatorsku bateriju napunite u sertifikovanom punjaču. → Strana 18

### 5.4 Montaža bočnog rukohvata

#### OPREZ

#### **Opasnost od povređivanja!** Gubitak kontrole nad čekić bušilicom.


- ▶ Uverite se da je bočna drška pravilno montirana i da je odgovarajuće pričvršćena. Budite sigurni da stezaljke ispravno naležu u za to predviđene proreze.
- 
1. Podesite sklopku za obrtanje u desno/levo u srednji položaj.
  2. Okrećite rukohvat, kako biste otpustili stezaljke bočnog rukohvata.
  3. Postavite držač bočnog rukohvata u potpunosti na kućište i gurnite stezaljke u za to predviđene proreze.
  4. Okrećite rukohvat, kako biste zategli držač bočnog rukohvata.

### 5.5 Montiranje pojasne kuke (opciono)

#### UPOZORENJE

#### **Opasnost od povrede.** Uređaj koji pada može da povredi Vas i druge.

- ▶ Pre početka rada proverite da li je pojasna kuka sigurno pričvršćena.
- 

 Sa pojasnom kukom možete uređaj pričvrstiti na pojas tako da naleže uz telo. Pojasnu kuku možete da montirate za nošenje sa desne i leve strane.

---

1. Uklonite akumulatorsku bateriju. → Strana 20
2. Umetnite pojasnu kuku u za to predviđeni otvor na osnovi proizvoda.
3. Pojasnu kuku pričvrstite pomoću dva vijka.
4. Umetnite akumulatorsku bateriju. → Strana 20

### 5.6 Hilti Montiranje držača bitova (opciono)

1. Uklonite akumulatorsku bateriju. → Strana 20
2. Umetnite držač bitova desno ili levo u za to predviđeni otvor na stopi proizvoda.
3. Pričvrstite držač bitova pomoću dva zavrtnja.
4. Umetnite akumulatorsku bateriju. → Strana 20



## 5.7 Hilti Osigurač od pada (opciono) 5

### PAŽNJA

**Oštećenje proizvoda i/ili linije pada.** Usled nestručnog korišćenja može doći do oštećenja proizvoda i/ili linije pada.

- ▶ Nemojte koristiti metalne lance kao linije pada. Nemojte koristiti linije pada dužine veće od 2,0 m (6 ft).



Kako biste izbegli oštećenja, predlažemo da prilikom rada na uzvišenjima upotrebljavate **Hilti** osigurač od pada.

Osigurač od pada omogućava pričvršćivanje sajli/traka za držanje.

Nacionalne smernice za rad na uzvišenjima morate poštovati, prilikom rada na proizvodu.

1. Uklonite akumulatorsku bateriju. → Strana 20
2. Sprovedite oba jezička osigurača od pada do preseka koji se nalaze sa obe strane podnožja uređaja.
3. Pričvrstite osigurač od pada pomoću pripadajućih zavrtanja.
4. Umetnite akumulatorsku bateriju. → Strana 20

## 5.8 Izbor brzine 6

- ▶ Izaberite brzinu.

## 5.9 Podešavanje obrtanja u desno/levo 7



Blokada sprečava preklapanje tokom rada motora.

U srednjem položaju prekidač za upravljanje je blokiran.

- ▶ Sklopku za obrtanje u desno/levo podesite na obrtanje u desno ili levo.

## 5.10 Postavljanje/vađenje alata za umetanje 8

1. Podesite preklapni prekidač za okretanje nadesno/nalevo u srednji položaj ili odvojite akumulatorsku bateriju od uređaja.
2. Otvorite brzosteznu glavu.
3. Ubacite alat za umetanje u prihvatač alata ili ga izvadite.
4. Pritegnite brzosteznu glavu.
5. Proverite siguran prihvat alata za umetanje.

## 5.11 Bušenje 9

### OPREZ

**Opasnost od povrede.** Alat za umetanje može odjednom da blokira i time se uređaj može bočno izmaknuti.

- ▶ Uređaj koristite pomoću bočne drške i uvek ga držite čvrsto obema rukama.
- ▶ Držite bočni rukohvat uvek sa spoljne strane.

### OPREZ

**Opasnost od povrede.** Sa podloge može doći do otkidanja komadića materijala.

- ▶ Upotrebljavajte zaštitne naočare.
- ▶ Prsten za podešavanje obrtnog momenta i funkcije podesite na simbol "Bušenje" .



## 5.12 Udarno bušenje

SF 6H-A22

- ▶ Podesite prsten za podešavanje na funkciju "Udarno bušenje" .

## 5.13 Zavrtnje

- ▶ Podesite prsten za podešavanje obrtnog momenta i funkcije na neophodni obrtni momenat.

## 5.14 Uključivanje

- ▶ Pritisnite prekidač za upravljanje.
  - ▶ Broj obrtaja se može kontinualno birati od minimalnog do maksimalnog broja obrtaja.

## 5.15 Isključivanje

- ▶ Otpustite prekidač za upravljanje.

## 6 Nega i održavanje



### UPOZORENJE

**Opasnost od povrede kod umetnute akumulatorske baterije !**

- ▶ Uvek izvadite akumulatorsku bateriju pre svih radova na negovanju i održavanju uređaja!

### Održavanje proizvoda

- Pažljivo uklonite čvrsto prionulu prljavštinu.
- Ako postoje, pažljivo očistite proreze za ventilaciju suvom, mekanom četkom.
- Kućište čistite samo blago nakvašenom krpom. Ne upotrebljavajte sredstva za negu na bazi silikona, jer mogu nagristi plastične delove.
- Za čišćenje kontakta proizvoda koristite čistu, suhu krpku.

### Nega Li-Ion akumulatorske baterije

- Nikada ne upotrebljavajte akumulatorsku bateriju sa ukoliko su prorezi za ventilaciju začepljeni. Proreze za ventilaciju oprezno očistite suvom, mekanom četkom.
- Ne izlažite akumulatorsku bateriju nepotrebnoj prašini ili prljavštini. Ne izlažite akumulatorsku bateriju nikada velikoj količini tečnosti (npr. potapanjem u vodu ili ostavljanjem na kiši).  
Ako je akumulatorska baterija navlažena, tretirajte je kao oštećenu akumulatorsku bateriju. Izolujte je u nezapaljivu posudu i obratite se servisu **Hilti**.
- Akumulatorska baterija ne sme da bude zaprljana drugim uljem i mašću. Nemojte dozvoljavati da se na akumulatorskoj bateriji taloži nepotrebna prašina ili prljavština. Akumulatorsku bateriju čistite pomoću suve, mekane četkice ili čiste, suve krpe. Ne upotrebljavajte sredstva za negu na bazi silikona, jer mogu nagristi plastične delove.  
Nemojte da dodirujete kontakte akumulatorske baterije i nemojte uklanjati fabrički nanetu masnoću sa kontakata.
- Kućište čistite samo blago nakvašenom krpom. Ne upotrebljavajte sredstva za negu na bazi silikona, jer mogu nagristi plastične delove.

### Održavanje

- Redovno proveravajte da li je došlo do oštećenja na vidljivim delovima i da li elementi za rukovanje besprekorno funkcionišu.
- Proizvod nemojte da koristite ukoliko postoje oštećenja i/ili smetnje u funkciji. Proizvod odmah treba da popravi **Hilti** servis.
- Posle radova na nezi i održavanju postavite svu zaštitnu opremu i proverite da li je njihova funkcija ispravna.



Da biste obezbedili bezbedan rad koristite samo originalne rezervne delove i potrošni materijal. Rezervne delove, potrošne materijale i pribor koje je odobrila kompanija **Hilti** se nalaze u vašem **Hilti Store** ili na adresi: [www.hilti.group](http://www.hilti.group)



## 7 Transport i skladištenje akumulatorskih alata i akumulatorskih baterija

### Transport

#### OPREZ

#### Nesmotreno pokretanje prilikom transporta !

- ▶ Uvek transportujte vaše proizvode bez umetnutih akumulatorskih baterija!
- ▶ Izvadite akumulatorsku bateriju ili baterije.
- ▶ Nemojte transportovati akumulatorske baterije bez ambalaže. Akumulatorske baterije bi trebalo tokom transporta zaštititi od prekomernih udara i od materijala koji sprovode struju ili izolovati od drugih akumulatorskih baterija, kako se ne bi dodirule sa drugim polom baterije i prouzrokovale kratak spoj. **Obratite pažnju na vaše lokalne propise za transport akumulatorskih baterija.**
- ▶ Akumulatorske baterije ne smete slati poštom. Obratite se kompaniji za slanje pošiljki, ako želite da pošaljete neoštećene akumulatorske baterije.
- ▶ Prekontrolišite da li na proizvodu i akumulatorskim baterijama ima oštećenja pre svake upotrebe kao i pre i nakon dugotrajnog transporta.

### Skladištenje

#### UPOZORENJE

#### Nesmotreno oštećenje zbog neispravnih ili isurelih akumulatorskih baterija !

- ▶ Uvek odlažite vaše proizvode bez umetnutih akumulatorskih baterija!
- ▶ Čuvajte proizvod i akumulatorske baterije na hladnom i suvom mestu. Pazite na granične vrednosti za temperaturu koje su navedene u tehničkim podacima.
- ▶ Akumulatorske baterije nemojte čuvati na punjaču. Akumulatorsku bateriju nakon punjenja uvek skinite sa punjača.
- ▶ Akumulatorske baterije nemojte čuvati na suncu, izvorima toplote ili za stakla.
- ▶ Čuvajte proizvod i akumulatorske baterije tako da ne budu pristupačni deci ili neovlašćenim osobama.
- ▶ Prekontrolišite da li na proizvodu i akumulatorskim baterijama ima oštećenja pre svake upotrebe kao i pre i nakon dugotrajnog skladištenja.

## 8 Pomoć u slučaju smetnji

U slučaju smetnji, koje nisu navedene u ovoj tabeli ili koje ne možete samostalno da otklonite, molimo da se obratite našem **Hilti** servisu.

### 8.1 Pomoć u slučaju smetnji

Smetnja	Mogući uzrok	Rešenje
Zavrtač-bušilica ne funkcioniše.	Akumulatorska baterija nije pravilno umetnuta.	▶ Umetnite akumulatorsku bateriju. → Strana 20
	Akumulatorska baterija je ispražnjena.	▶ Zamenite akumulatorsku bateriju i napunite praznu akumulatorsku bateriju.
Trepću sva 4 LED-a. Zavrtač-bušilica ne funkcioniše.	Zavrtač-bušilica je kratkotrajno preopterećena.	▶ Otpustite prekidač za upravljanje i iznova ga aktivirajte.
	Zaštita od pregrevanja	▶ Zavrtač-bušilicu ostavite da se ohladi i očistite proreze za ventilaciju.
1 LED treperi. Zavrtač-bušilica ne funkcioniše.	Akumulatorska baterija je ispražnjena.	▶ Zamenite akumulatorsku bateriju i napunite praznu akumulatorsku bateriju.
	Akumulatorska baterija je previše hladna.	▶ Akumulatorsku bateriju dovedite na preporučenu radnu temperaturu.
	Akumulatorska baterija je prevruća.	▶ Akumulatorsku bateriju dovedite na preporučenu radnu temperaturu.



Smetnja	Mogući uzrok	Rešenje
SF 6H-A22 Udarno bušenje nije moguće.	Funkcija na prstenu za podešavanje nije korektno podešena.	▶ Podesite prsten za podešavanje na funkciju "Udarno bušenje"
Prekidač za upravljanje ne može da se pritisne odnosno blokiran je.	Sklopka za obrtanje u desno/levo je u srednjem položaju (transportni položaj).	▶ Sklopku za obrtanje u desno/levo podesite na obrtanje u desno ili levo. → Strana 21
Zavrtač-bušilica ili akumulatorska baterija se jako greju.	Električni kvar	▶ Isključite odmah zavrtač-bušilicu, izvadite akumulatorsku bateriju i potražite <b>Hilti</b> servis.
	Zavrtač-bušilica je preopterećena (granica primene je prekoračena).	▶ Proverite vaš slučaj primene.

## 9 Zbrinjavanje otpada



### UPOZORENJE

**Opasnost od povređivanja usled nestručnog uklanjanja na otpad!** Opasnosti po zdravlje prouzrokovane ispuštanjem gasova ili tečnosti.

- ▶ Nemojte slati oštećene akumulatorske baterije!
- ▶ Prekrijte priključke materijalom koji ne sprovodi struju, kako biste izbegli kratak spoj.
- ▶ Akumulatorske baterije uklonite na otpad tako da ne mogu da dospeju u ruke dece.
- ▶ Uklonite na otpad akumulatorsku bateriju u vašoj **Hilti Store** ili se obratite preduzeću za odlaganje koje je nadležno za vas.

**Hilti** proizvodi su sa velikim udelom proizvedeni od reciklažnih materijala. Preduslov za ponovnu upotrebu je stručno razdvajanje materijala. U mnogim zemljama **Hilti** vaš stari uređaj vraća na reciklažu. Pitajte **Hilti** servis za klijente ili vašeg konsultanta za prodaju.



- ▶ Električne alate, elektronske uređaje i akumulatorske baterije ne odlažite u kućne otpatke!

## 10 RoHS (Direktiva za ograničenje upotrebe opasnih supstanci)

Na sledećem linku možete pronaći tabelu sa opasnim materijama:

- SF 6-A22: [qr.hilti.com/r9370541](https://qr.hilti.com/r9370541)
- SF 6H-A22: [qr.hilti.com/r9370482](https://qr.hilti.com/r9370482)

Takođe jedna veza za RoHS tabelu se nalazi na kraju ovog dokumenta u vidu QR koda.

## 11 Garancija proizvođača

- ▶ Ukoliko imate pitanja o uslovima garancije, obratite se lokalnom **Hilti** partneru.

## Перевод оригинального руководства по эксплуатации

### 1 Указания к документации

#### 1.1 Об этом документе



Импортер и уполномоченная изготовителем организация

- (RU) Российская Федерация  
АО "Хилти Дистрибьюшн ЛТД", 141402, Московская область, г. Химки, ул. Ленинградская, стр. 25



- (BY) Республика Беларусь  
222750, Минская область, Дзержинский район, Р-1, 18-й км, 2 (около д. Слободка), помещение 1-34
- (KZ) Республика Казахстан  
Республика Казахстан, индекс 050057, г. Алматы, ул. Тимирязева 42, павильон 15-9  
Қазақстан Республикасы, 050057, Алматы қ., Тимирязев көшесі, 15-9 павильоны
- (AM) Республика Армения  
ООО Эйч-Кон, Республика Армения, г. Ереван, ул. Бабаяна 10/1

Страна производства: см. маркировочную табличку на оборудовании.

Дата производства: см. маркировочную табличку на оборудовании.

Соответствующий сертификат можно найти по адресу: [www.hilti.ru](http://www.hilti.ru)

Специальных требований к условиям хранения, транспортировки и использования, кроме указанных в руководстве по эксплуатации, нет.

Срок службы изделия составляет 5 лет.

- Ознакомьтесь с этим документом перед началом работы. Это является залогом безопасной работы и бесперебойной эксплуатации.
- Соблюдайте указания по технике безопасности и предупреждающие указания, приводимые в данном документе и на изделии.
- Храните руководство по эксплуатации всегда рядом с электроинструментом и передавайте электроинструмент будущим владельцам только вместе с этим руководством.

## 1.2 Пояснение к знакам

### 1.2.1 Предупреждающие указания

Предупреждающие указания служат для предупреждения об опасностях при обращении с изделием. Используются следующие сигнальные слова:

#### ОПАСНО

##### ОПАСНО !

- ▶ Общее обозначение непосредственной опасной ситуации, которая влечет за собой тяжелые травмы или смертельный исход.

#### ПРЕДУПРЕЖДЕНИЕ

##### ПРЕДУПРЕЖДЕНИЕ !

- ▶ Общее обозначение потенциально опасной ситуации, которая может повлечь за собой тяжелые травмы или смертельный исход.







#### ОСТОРОЖНО

##### ОСТОРОЖНО !

- ▶ Общее обозначение потенциально опасной ситуации, которая может повлечь за собой травмы или повреждение оборудования (материальный ущерб).

### 1.2.2 Символы, используемые в руководстве

В этом руководстве используются следующие символы:

	Соблюдать руководство по эксплуатации
	Указания по эксплуатации и другая полезная информация
	Обращение с материалами, пригодными для вторичной переработки
	Не выбрасывайте электроинструменты и аккумуляторы вместе с обычным мусором!
	Hilti Литий-ионный аккумулятор (Li-Ion)
	Зарядное устройство Hilti



### 1.2.3 Символы на изображениях

На изображениях используются следующие символы:

	Эти цифры указывают на соответствующее изображение в начале данного руководства.
	Нумерация на изображениях отображает порядок выполнения рабочих операций и может отличаться от нумерации, используемой в тексте.
	Номера позиций используются в <b>обзорном</b> изображении. В <b>обзоре изделия</b> они указывают на номера в экспликации.
	Этот знак должен привлечь особое внимание пользователя при обращении с изделием.

## 1.3 Символы в зависимости от изделия

### 1.3.1 Символы на изделии

На изделии могут использоваться следующие символы:

	Это изделие поддерживает технологию беспроводной передачи данных на базе ОС iOS и Android.
	Серия используемых литий-ионных аккумуляторов <b>HilTi</b> . Соблюдайте указания, приведенные в главе <b>Использование по назначению</b> .
Li-Ion	Литий-ионный аккумулятор
	Никогда не используйте аккумулятор в качестве ударного инструмента.
	Не допускайте падения аккумулятора. Не используйте аккумулятор, который получил повреждения вследствие удара или каким-либо иным образом.
---	Постоянный ток
	Сверление без удара
	Сверление с ударом (ударное сверление)
	Класс защиты II (двойная изоляция)
n <sub>0</sub>	Номинальная частота вращения в режиме холостого хода
/min	оборотов в минуту (об/мин)

## 1.4 Информация о шлифмашине

Шлифмашины **HILTI** предназначены для профессионального использования, поэтому они должны обслуживаться и ремонтироваться только уполномоченным и обученным персоналом. Этот персонал должен пройти специальный инструктаж по технике безопасности. Использование шлифмашины и ее оснастки не по назначению или ее эксплуатация необученным персоналом могут представлять опасность.

Типовое обозначение и серийный номер указаны на заводской табличке.

- Перепишите серийный номер в нижеприведенную табличную форму. Данные шлифмашины необходимы при обращении в наше представительство или сервисный центр.

#### Указания к изделию

Дрель-шуруповерт	SF 6-A22   SF 6H-A22
Поколение	02
Серийный номер	

## 1.5 Декларация соответствия нормам

Настоящим мы с полной ответственностью заявляем, что данное изделие соответствует действующим директивам и нормам. Копию декларации соответствия нормам см. в конце этого документа.

Техническая документация (оригиналы) хранится здесь:





## 2 Безопасность

### 2.1 Общие указания по технике безопасности для электроинструментов

**⚠ ПРЕДУПРЕЖДЕНИЕ** Изучите все указания по технике безопасности, инструкции, иллюстрации и технические данные, которые прилагаются к данному электроинструменту. Несоблюдение приводимых ниже указаний может привести к поражению электрическим током, пожару и/или тяжелым травмам.

**Сохраните все указания по технике безопасности и инструкции для следующего пользователя.**

Используемый далее термин «электроинструмент» относится к электроинструменту, работающему от электрической сети (с кабелем электропитания) и от аккумулятора (без кабеля электропитания).

#### Безопасность рабочего места

- ▶ Следите за чистотой и хорошей освещенностью на рабочем месте. Беспорядок на рабочем месте или плохое освещение могут привести к несчастным случаям.
- ▶ Не используйте электроустройство/электроинструмент во взрывоопасной зоне, где имеются горючие жидкости, газы или пыль. При работе электроустройство/электроинструмент искрит, и искры могут воспламенить пыль или пары/газы.
- ▶ Не разрешайте детям и посторонним приближаться к работающему электроустройству/электроинструменту. Отвлекаясь от работы, можно потерять контроль над электроустройством/электроинструментом.

#### Электрическая безопасность

- ▶ Соединительная вилка электроинструмента должна соответствовать розетке электросети. Не изменяйте конструкции вилки! Не используйте переходные вилки с электроинструментами с защитным заземлением. Использование оригинальных вилок и соответствующих им розеток снижает риск поражения электрическим током.
- ▶ Избегайте непосредственного контакта с заземленными поверхностями, например с трубами, отопительными приборами, газо-/электропластинами и холодильниками. При контакте с заземленными предметами возникает повышенный риск поражения электрическим током.
- ▶ Предохраняйте электроинструменты от дождя или воздействия влаги. В результате попадания воды в электроинструмент возрастает риск поражения электрическим током.
- ▶ Не используйте кабель электропитания не по назначению, например для переноски электроинструмента, его подвешивания или для выдергивания вилки из розетки электросети. Защищайте кабель электропитания от воздействий высоких температур, масла, острых кромок или вращающихся деталей/узлов. В результате повреждения или склестывания кабелей электропитания повышается риск поражения электрическим током.
- ▶ Если работы с электроинструментом выполняются на открытом воздухе, применяйте только удлинительные кабели, которые разрешено использовать вне помещений. Использование удлинительного кабеля, пригодного для использования вне помещений, снижает риск поражения электрическим током.
- ▶ Если избежать работы с электроинструментом в условиях влажности не представляется возможным, используйте автомат защиты от тока утечки. Использование автомата защиты от тока утечки снижает риск поражения электрическим током.

#### Безопасность персонала

- ▶ Будьте внимательны, следите за своими действиями и серьезно относитесь к работе с электроинструментом. Не пользуйтесь электроинструментом, если вы устали или находитесь под действием наркотиков, алкоголя или медикаментов. Незначительная ошибка при невнимательной работе с электроинструментом может стать причиной серьезного травмирования.
- ▶ Используйте средства индивидуальной защиты и всегда надевайте защитные очки. Использование средств индивидуальной защиты, например респиратора, защитной обуви на нескользящей подошве, защитной каски или защитных наушников, в зависимости от вида и условий эксплуатации электроинструмента, снижает риск травмирования.
- ▶ Избегайте непреднамеренного включения электроинструмента. Убедитесь в том, что электроинструмент выключен, прежде чем подключить его к электропитанию и/или вставить аккумулятор, поднимать или переносить электроинструмент. Ситуации, когда при переносе электроинструмента палец находится на выключателе или когда выключенный электроинструмент подключается к электросети, могут привести к несчастным случаям.



- ▶ **Перед включением электроинструмента удалите регулировочные приспособления или гаечные ключи.** Рабочий инструмент или гаечный ключ, находящийся во вращающейся части электроинструмента, может стать причиной получения травм.
- ▶ **Старайтесь избегать неестественных поз при работе. Постоянно сохраняйте устойчивое положение и равновесие.** Это позволит лучше контролировать электроинструмент в непредвиденных ситуациях.
- ▶ **Носите спецодежду. Не надевайте очень свободную одежду или украшения. Оберегайте волосы, одежду и защитные перчатки от вращающихся узлов электроинструмента.** Свободная одежда, украшения и длинные волосы могут быть захвачены ими.
- ▶ **Если предусмотрено подсоединение устройств для удаления и сбора пыли, убедитесь в том, что они подсоединены и используются по назначению.** Использование пылеудаляющего аппарата снижает вредное воздействие пыли.
- ▶ **Не пребывайте в ложной уверенности в собственной безопасности и не пренебрегайте правилами техники безопасности для электроинструментов, даже если вы являетесь опытным пользователем электроинструмента.** Неосторожное обращение может в течение долей секунды стать причиной получения тяжелых травм.

#### **Использование и обслуживание электроинструмента**

- ▶ **Не допускайте перегрузки электроинструмента. Используйте электроинструмент, предназначенный именно для данной работы.** Соблюдение этого правила обеспечит более высокое качество и безопасную работу в указанном диапазоне мощности.
- ▶ **Не используйте электроинструмент с неисправным выключателем.** Электроинструмент, включение или выключение которого затруднено, представляет опасность и должен быть отремонтирован.
- ▶ **Прежде чем приступить к регулировке электроинструмента, замене принадлежностей или перед перерывом в работе выньте вилку из розетки и/или аккумулятор из электроинструмента.** Данная мера предосторожности позволит предотвратить непреднамеренное включение электроинструмента.
- ▶ **Храните неиспользуемые электроинструменты в местах, недоступных для детей. Не позволяйте использовать электроинструмент лицам, которые не ознакомлены с ним или не читали эти инструкции.** Электроинструменты представляют собой опасность в руках неопытных пользователей.
- ▶ **Бережно обращайтесь с электроинструментами и принадлежностями. Проверяйте безупречное функционирование подвижных частей, легкость их хода, целостность и отсутствие повреждений, которые могли бы отрицательно повлиять на работу электроинструмента. Сдавайте поврежденные части электроинструмента в ремонт до его использования.** Причиной многих несчастных случаев является несоблюдение правил технического обслуживания электроинструментов.
- ▶ **Необходимо следить за тем, чтобы режущие инструменты были острыми и чистыми.** Затачивание содержащихся в надлежащем состоянии режущих инструментов происходит реже, ими легче управлять.
- ▶ **Применяйте электроинструмент, принадлежности (оснастку), рабочие инструменты и т. д. согласно данным указаниям. Учитывайте при этом рабочие условия и характер выполняемой работы.** Использование электроинструментов не по назначению может привести к опасным ситуациям.
- ▶ **Замасленные рукоятки и поверхности для хвата немедленно очищайте — они должны быть сухими и чистыми.** Скользкие рукоятки и поверхности для хвата не обеспечивают безопасное управление и контроль электроинструмента в непредвиденных ситуациях.

#### **Использование и обслуживание аккумуляторного инструмента**

- ▶ **Заряжайте аккумуляторы только с помощью зарядных устройств, рекомендованных изготовителем.** При использовании зарядного устройства для зарядки несоответствующих ему типов аккумуляторов существует опасность возгорания.
- ▶ **Используйте только оригинальные аккумуляторы, рекомендованные специально для этого электроинструмента.** Использование других аккумуляторов может привести к травмам и опасности возгорания.
- ▶ **Неиспользуемые аккумуляторы храните вдали от скрепок, монет, ключей, гвоздей, шурупов или других мелких металлических предметов, которые могут стать причиной замыкания контактов.** Замыкание контактов аккумулятора может привести к ожогам или возгоранию.
- ▶ **При неверном обращении с аккумулятором из него может вытечь электролит. Избегайте контакта с ним. При случайном контакте смойте водой. При попадании электролита в глаза немедленно обратитесь за помощью к врачу.** Вытекший из аккумулятора электролит может привести к раздражению кожи или ожогам.



- ▶ **Не используйте поврежденный или измененный аккумулятор.** Поврежденные или измененные аккумуляторы могут функционировать непредсказуемо и стать причиной возгорания, взрыва или травмирования.
- ▶ **Не подвергайте аккумулятор воздействию огня или слишком высоких температур.** Огонь или температура свыше 130 °C могут спровоцировать взрыв аккумулятора.
- ▶ **Соблюдайте все указания по зарядке и никогда не заряжайте аккумулятор или аккумуляторный инструмент вне температурного диапазона, указанного в руководстве по эксплуатации.** Неправильная зарядка/зарядка вне указанного в руководстве по эксплуатации температурного диапазона могут привести к разрушению аккумулятора и повышают опасность возгорания.

#### Сервис

- ▶ **Доверяйте ремонт своего электроинструмента только квалифицированному персоналу, использующему только оригинальные запчасти.** Этим обеспечивается поддержание электроинструмента в безопасном состоянии.
- ▶ **Категорически запрещается выполнять обслуживание поврежденных аккумуляторов.** Все технические работы с аккумуляторами должны выполняться только производителем или авторизованными сервисными мастерами.

## 2.2 Указания по технике безопасности при работе с дрелями

### Указания по технике безопасности при выполнении любых работ

- ▶ **При сверлении с ударом пользуйтесь защитными наушниками.** В результате воздействия шума возможна потеря слуха.
- ▶ **Используйте дополнительную рукоятку.** Потеря контроля над электроинструментом может привести к травмам.
- ▶ **При опасности повреждения рабочим инструментом или шурупами скрытой электропроводки держите электроинструмент за изолированные поверхности для хвата.** При контакте с токопроводящей линией металлические части электроинструмента также находятся под напряжением, что может привести к удару электрическим током.

### Указания по технике безопасности при использовании длинных сверл

- ▶ **Категорически запрещается превышать максимально допустимую частоту вращения, предписанную для эксплуатации сверла.** В противном случае сверло может легко деформироваться, если оно будет свободно вращаться без контакта с заготовкой, и травмировать пользователя.
- ▶ **Процесс сверления всегда начинайте с низкой частотой вращения. При этом сверло должно контактировать с заготовкой.** В противном случае сверло может легко деформироваться, если оно будет свободно вращаться без контакта с заготовкой, и травмировать пользователя.
- ▶ **Не прижимайте сверло с чрезмерным усилием. При сверлении следите за тем, чтобы прилагаемое усилие было направлено (распределялось) по оси сверла.** Сверла могут деформироваться и вследствие этого ломаться или возможна потеря контроля, что, в свою очередь, может привести к получению травм.

### Указания по технике безопасности при использовании насадок-мешалок и смесителей

- ▶ **Включайте или выключайте электроинструмент только тогда, когда насадка-мешалка находится в смешиваемом материале.** В противном случае возможна потеря контроля и получение травм.

## 2.3 Дополнительные указания по технике безопасности при работе с шуруповертом

### Безопасность персонала

- ▶ Используйте электроинструмент и его принадлежности только в технически исправном состоянии.
- ▶ Внесение изменений в конструкцию электроинструмента/принадлежностей или его/их модификация категорически запрещаются.
- ▶ Используйте дополнительные рукоятки, входящие в комплект электроинструмента. Потеря контроля над электроинструментом может привести к травмам.
- ▶ Всегда надежно удерживайте электроинструмент обеими руками за предусмотренные для этого рукоятки. Следите за тем, чтобы рукоятки были сухими и чистыми.
- ▶ Не прикасайтесь к вращающимся деталям/узлам электроинструмента — опасность травмирования!
- ▶ При работе с этим электроинструментом надевайте подходящие защитные очки, защитную каску, защитные наушники и легкий респиратор.
- ▶ При замене рабочего инструмента надевайте защитные перчатки. Соблюдайте осторожность при замене рабочего инструмента — контакт с ним может привести к порезам и ожогам.
- ▶ Пользуйтесь защитными очками. Осколки материала могут травмировать тело и глаза.



- ▶ Пыль, возникающая при шлифовании, абразивной обработке, резке и сверлении, может содержать опасные химические вещества. Несколько примеров материалов, содержащих опасные вещества: свинец или краски на свинцовой основе; кирпич, бетон и другие материалы для кладки, природный камень и другие силикатсодержащие изделия; определенные виды древесины, такие как дуб, бук и химически обработанная древесина; асбест или материалы, содержащие асбест. Определите степень воздействия на оператора и окружающих лиц по классу опасности обрабатываемых материалов. Примите необходимые меры для обеспечения безопасного уровня воздействия, например, путем использования подходящих систем пылеудаления или ношения подходящих средств защиты органов дыхания. Общие меры по снижению опасного воздействия:
  - ▶ Работайте в хорошо проветриваемом помещении.
  - ▶ Избегайте длительного контакта с пылью.
  - ▶ Удаляйте пыль с лица и тела.
  - ▶ Носите защитную одежду и промывайте открытые участки, подверженные воздействию, водой с мылом.
- ▶ Чтобы во время работы руки не затекали, время от времени делайте перерывы и упражнения для расслабления и разминки пальцев. Возникающие при длительной работе вибрации могут привести к нарушениям кровоснабжения сосудов или в нервных окончаниях пальцев/кистей рук или в запястьях.

### **Электрическая безопасность**

- ▶ Перед началом работы проверяйте рабочую зону на наличие скрытой электропроводки, газо- и водопроводных труб. Открытые металлические части электроинструмента могут стать проводниками электрического тока или привести к взрыву, если случайно задеть (повредить) электропроводку, газо- или водопровод.

### **Бережное обращение с электроинструментами и их правильная эксплуатация**

- ▶ Немедленно выключайте электроинструмент в случае блокировки рабочего инструмента. Электроинструмент может увлечь в сторону.
- ▶ Дождитесь, пока электроинструмент полностью не остановится, прежде чем отложить его в сторону.

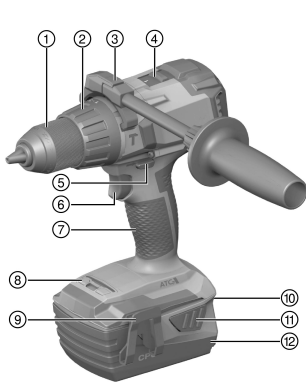
## **2.4 Аккуратное обращение с аккумуляторами и их правильное использование**

- ▶ Соблюдайте специальные предписания по транспортировке, хранению и эксплуатации литий-ионных аккумуляторов.
- ▶ Храните аккумуляторы на безопасном расстоянии от источников высокой температуры/огня и не подвергайте их прямому воздействию солнечного излучения.
- ▶ Запрещается разбирать, сдавливать, нагревать до температуры свыше 80 °C или сжигать аккумуляторы.
- ▶ Не используйте или не заряжайте аккумуляторы, которые подвергались ударам, падали с высоты более одного метра или получали какие-либо иные повреждения. При возникновении такой ситуации всегда обращайтесь в ближайший **сервисный центр Hilti**.
- ▶ Слишком сильный нагрев аккумулятора (такой, что до него невозможно дотронуться) указывает на его возможный дефект. Разместите аккумулятор на безопасном расстоянии от воспламеняющихся материалов в хорошо просматриваемом и пожаробезопасном месте. Дайте остыть аккумулятору. Если по истечении одного часа аккумулятор все еще остается таким горячим, что его нельзя взять в руки, это означает, что он неисправен. Свяжитесь с сервисной службой **Hilti**.



### 3 Описание

#### 3.1 Обзор



- ① Быстрозажимной патрон
- ② Кольцо регулировки крутящего момента и установки режимов
- ③ Боковая рукоятка
- ④ Переключатель ступеней частоты вращения
- ⑤ Переключатель правого/левого вращения с блокировкой включения
- ⑥ Выключатель (с электронной регулировкой частоты вращения)
- ⑦ Рукоятка
- ⑧ Подсветка рабочей зоны
- ⑨ Крепежный крючок (опция)
- ⑩ Индикатор уровня заряда и неисправности (литий-ионного аккумулятора)
- ⑪ Кнопка деблокировки аккумулятора
- ⑫ Аккумулятор

#### 3.2 Использование по назначению

Данный электроинструмент представляет собой ручную аккумуляторную дрель-шурупверт, предназначенную для сверления стали, древесины, пластмассы, легкого бетона и кирпичной кладки, а также для заворачивания и выворачивания шурупов.

- ▶ Для этого изделия используйте только литий-ионные аккумуляторы фирмы **Hilti** серии В 22.
- ▶ Для зарядки этих аккумуляторов используйте только зарядные устройства фирмы **Hilti** серии С4/36.

#### 3.3 Комплект поставки

Дрель-шурупверт, боковая рукоятка, руководство по эксплуатации

Другие системные принадлежности, допущенные для использования с этим изделием, вы можете найти в **Hilti Store** или на сайте [www.hilti.group](http://www.hilti.group) | CLJA: [www.hilti.com](http://www.hilti.com)

#### 3.4 Индикатор состояния литий-ионного аккумулятора

Уровень заряда литий-ионного аккумулятора и сбой в работе электроинструмента сигнализируются посредством индикатора состояния литий-ионного аккумулятора. Уровень заряда литий-ионного аккумулятора отображается после нажатия одной из двух кнопок (де)блокировки аккумулятора.

Состояние	Значение
Горят четыре светодиода.	Уровень заряда: от 75 % до 100 %
Горят три светодиода.	Уровень заряда: от 50 % до 75 %
Горят два светодиода.	Уровень заряда: от 25 % до 50 %
Горит один светодиод.	Уровень заряда: от 10 % до 25 %
Мигает один светодиод.	Уровень заряда: < 10 %
Мигает один светодиод, электроинструмент не готов к работе.	Аккумулятор перегрет или полностью разряжен.
Мигают четыре светодиода, электроинструмент не готов к работе.	Электроинструмент перегрет или перегружен.

При нажатом выключателе и в течение макс. 5 с после его отпущения запрос уровня заряда невозможен.

При мигании светодиодов индикатора состояния аккумулятора следуйте указаниям из главы «Помощь при неисправностях».



### 3.5 АТС

Электроинструмент оснащен системой экстренного электронного отключения электродвигателя АТС (Active Torque Control).

В случае блокировки или заклинивания рабочего инструмента электроинструмент начинает внезапное неконтролируемое вращение в противоположном направлении. Система АТС распознает это внезапное вращательное движение электроинструмента и мгновенно отключает его.



Для надлежащей работы электроинструмента необходимо обеспечить его функцию вращения. После экстренного отключения выключите электроинструмент, а затем снова включите его.

### 3.6 Индикатор перегрузки и перегрева

Электроинструмент оснащен электронной системой защиты от перегрузки и перегрева. При перегрузке/перегреве электроинструмент автоматически выключается. Кратковременное отпускание и последующее нажатие выключателя могут привести к задержкам включения (обусловлены фазами охлаждения электроинструмента).

## 4 Технические данные

		SF 6-A22	SF 6H-A22
Номинальное напряжение		21,6 В пост.тока	21,6 В пост.тока
Масса по ЕРТА Procedure 01 с аккумулятором B228.0		3,1 кг	3,1 кг
Частота вращения	1-я ступень (скорости)	0 об/мин ... 490 об/мин	0 об/мин ... 490 об/мин
	2-я ступень (скорости)	0 об/мин ... 2 000 об/мин	0 об/мин ... 2 000 об/мин
Крутящий момент (заворачивание в мягкий материал) $\frac{1}{2}$		≤ 65 Н·м	≤ 65 Н·м
Частота ударов		*/•	36 000 об/мин
Температура окружающей среды при эксплуатации		-17 °С ... 60 °С	-17 °С ... 60 °С
Температура хранения		-20 °С ... 70 °С	-20 °С ... 70 °С

### 4.1 Аккумулятор

Рабочее напряжение аккумулятора	21,6 В
Температура окружающей среды при эксплуатации	-17 °С ... 60 °С
Температура хранения	-20 °С ... 40 °С
Температура аккумулятора в начале зарядки	-10 °С ... 45 °С

### 4.2 Допустимые диаметры для рабочих (сменных) инструментов

Ø (диапазон) зажимаемых хвостовиков быстрозажимного сверлильного патрона	1,5 мм ... 13 мм
Ø сверла по древесине (твердая древесина)	1,5 мм ... 20 мм
Ø сверла по древесине (мягкая древесина)	1,5 мм ... 32 мм
Ø сверла по металлу	1,5 мм ... 13 мм
Ø сверления в бетоне/кирпичной кладке (ударное сверление)	4 мм ... 12 мм



### 4.3 Данные по шуму и вибрациям согласно EN 62841

Приводимые здесь значения уровня звукового давления и вибрации были измерены согласно стандартизированной процедуре измерения и могут использоваться для сравнения электроинструментов между собой. Они также подходят для предварительной оценки вредных воздействий.

Указанные данные применимы к основным областям применения электроинструмента. Однако, если электроинструмент используется для других целей, с другими рабочими (сменными) инструментами или в случае его неудовлетворительного технического обслуживания, данные могут быть иными. Вследствие этого в течение всего периода работы электроинструмента возможно значительное увеличение вредных воздействий.

Для точного определения вредных воздействий следует также учитывать промежутки времени, в течение которых электроинструмент находится в выключенном состоянии или работает вхолостую. Вследствие этого в течение всего периода работы электроинструмента возможно заметное уменьшение вредных воздействий.

Примите дополнительные меры безопасности для защиты пользователя от воздействия возникающего шума и/или вибраций, например: техническое обслуживание электроинструмента и рабочих (сменных) инструментов, сохранение тепла рук, правильная организация рабочих процессов.

#### Значения уровня шума

	SF 6-A22	SF 6H-A22
Значение уровня звукового давления ( $L_{pA}$ )	78 дБ(A)	91 дБ(A)
Погрешность уровня звукового давления ( $K_{pA}$ )	3 дБ(A)	3 дБ(A)
Уровень звуковой мощности ( $L_{WA}$ )	89 дБ(A)	102 дБ(A)
Погрешность уровня звуковой мощности ( $K_{WA}$ )	3 дБ(A)	3 дБ(A)

#### Общие значения вибрации

	SF 6-A22	SF 6H-A22
Значение вибрации при сверлении в металле ( $a_{h,D}$ )	1,4 м/с <sup>2</sup>	2,8 м/с <sup>2</sup>
Погрешность при сверлении в металле (K)	1,5 м/с <sup>2</sup>	1,5 м/с <sup>2</sup>
Значение вибрации при заворачивании ( $a_h$ )	0,8 м/с <sup>2</sup>	1,1 м/с <sup>2</sup>
Погрешность при заворачивании (K)	1,5 м/с <sup>2</sup>	1,5 м/с <sup>2</sup>
Значение вибрации при ударном сверлении в бетоне ( $a_{h,UD}$ )	*/*	15,4 м/с <sup>2</sup>
Погрешность при ударном сверлении в бетоне (K)	*/*	1,5 м/с <sup>2</sup>

## 5 Эксплуатация

### 5.1 Установка аккумулятора

#### ПРЕДУПРЕЖДЕНИЕ

**Опасность травмирования вследствие короткого замыкания или падения аккумулятора!**

- ▶ Перед установкой аккумулятора убедитесь в чистоте его контактов и контактов инструмента.
- ▶ Всегда проверяйте, правильно ли зафиксирован аккумулятор.

1. Перед первым вводом в эксплуатацию полностью зарядите аккумулятор.
2. Прижмите аккумулятор так, чтобы он зафиксировался в аккумуляторном отсеке с характерным щелчком.
3. Проверьте надежность фиксации аккумулятора.

### 5.2 Извлечение аккумулятора

1. Нажмите кнопки (де)блокировки аккумулятора.
2. Извлеките аккумулятор из электроинструмента.

### 5.3 Зарядка аккумулятора

1. Перед зарядкой изучите руководство по эксплуатации зарядного устройства.



2. Убедитесь в том, что контакты аккумулятора и зарядного устройства чистые и сухие.
3. Заряжайте аккумулятор только в допущенном к эксплуатации зарядном устройстве. → страница 31

#### 5.4 Установка боковой рукоятки 2

##### ОСТОРОЖНО

**Опасность травмирования!** Потеря контроля над электроинструментом.

- ▶ Убедитесь в том, что боковая рукоятка правильно установлена и надежно закреплена. Убедитесь в том, что зажимы правильно установлены в предназначенных для них пазах.
1. Переведите переключатель правого/левого вращения в среднее положение.
  2. Поверните рукоятку, чтобы расфиксировать зажимы боковой рукоятки.
  3. Полностью установите фиксатор боковой рукоятки на корпус и задвиньте зажимы в предназначенные для них пазы.
  4. Поверните рукоятку, чтобы зажать фиксатор боковой рукоятки.

#### 5.5 Установка крепежного крючка (опция) 3

##### ПРЕДУПРЕЖДЕНИЕ

**Опасность травмирования!** Падение электроинструмента может стать причиной вашего травмирования и травмирования окружающих.

- ▶ Перед началом работы убедитесь в том, что крепежный крючок надежно закреплен.



С помощью крепежного крючка электроинструмент можно закрепить и носить при себе на ремне. Крепежный крючок можно установить как слева, так и справа.

1. Извлеките аккумулятор. → страница 33
2. Вставьте крепежный крючок в предназначенный для него проем в основании электроинструмента.
3. Закрепите крепежный крючок с помощью двух винтов.
4. Вставьте аккумулятор. → страница 33

#### 5.6 Монтаж держателя бит Hilti (опция) 4

1. Извлеките аккумулятор. → страница 33
2. Вставьте держатель бит справа или слева в предназначенный для него проем в основании электроинструмента.
3. Закрепите держатель бит с помощью двух винтов.
4. Вставьте аккумулятор. → страница 33

#### 5.7 Монтаж защиты Hilti от случайного срабатывания при падении электроинструмента (опция) 5

##### ВНИМАНИЕ

**Повреждение электроинструмента и/или удерживающего троса.** Вследствие неправильного обращения возможно повреждение электроинструмента и/или удерживающего троса.

- ▶ Не используйте металлические цепи в качестве удерживающего троса. Не используйте удерживающие тросы длиной более 2,0 м (6 ft).



Во избежание повреждений при выполнении работ на достаточно большой высоте рекомендуется использовать защиту Hilti от случайного срабатывания при падении электроинструмента.

Защита от случайного срабатывания при падении электроинструмента позволяет закреплять удерживающие тросы/ленты.

Строго соблюдайте национальные директивы по выполнению работ на достаточно большой высоте при использовании данного электроинструмента.

1. Извлеките аккумулятор. → страница 33
2. Вставьте оба язычка защиты от случайного срабатывания при падении электроинструмента в шлицы, расположенные с обеих сторон основания электроинструмента.





3. Закрепите защиту от случайного срабатывания при падении электроинструмента с помощью предназначенных для этого винтов.
4. Вставьте аккумулятор. → страница 33

### 5.8 Выбор скорости (ступени)

- ▶ Выберите скорость.

### 5.9 Регулировка правого/левого вращения

Переключению при работающем электродвигателе препятствует блокировочный механизм. В среднем положении выключатель заблокирован (блокировка включения).

- ▶ Установите переключатель правого/левого вращения в положение правого или левого вращения.

### 5.10 Установка/извлечение рабочего инструмента

1. Установите переключатель правого/левого вращения в среднее положение или отсоедините аккумулятор от электроинструмента.
2. Разблокируйте быстрозажимной патрон.
3. Вставьте рабочий инструмент в зажимной патрон или извлеките его.
4. Затяните быстрозажимной патрон.
5. Проверьте надежность фиксации рабочего инструмента.

### 5.11 Сверление

#### ОСТОРОЖНО

**Опасность травмирования** Рабочий инструмент может внезапно заклинить, вследствие чего может возникнуть опасность бокового удара.

- ▶ Работать с электроинструментом следует только с боковой рукояткой, удерживая его обеими руками.
- ▶ Беритесь за боковую рукоятку всегда с наружной стороны.

#### ОСТОРОЖНО

**Опасность травмирования** От основания могут откалываться частицы.

- ▶ Пользуйтесь защитными очками.
- ▶ Переведите кольцо регулировки крутящего момента и установки режима работы на символ «Сверление» .

### 5.12 Ударное сверление (сверление с ударом)

SF 6H-A22

- ▶ Переведите кольцо регулировки крутящего момента и установки режима работы на режим «Ударное сверление» .

### 5.13 Заворачивание

- ▶ Установите нужный крутящий момент посредством кольца регулировки крутящего момента и установки режима работы.

### 5.14 Включение

- ▶ Нажмите выключатель.
  - ▶ Частота вращения плавно регулируется от минимального до максимального значения.

### 5.15 Выключение

- ▶ Отпустите выключатель.



**ПРЕДУПРЕЖДЕНИЕ**

**Опасность травмирования при установленном аккумуляторе !**

- ▶ Перед проведением любых работ по уходу и обслуживанию всегда извлекайте аккумулятор!

**Уход за электроинструментом**

- Удаляйте налипшую грязь с осторожностью.
- Осторожно очищайте вентиляционные прорези (при наличии) сухой мягкой щеткой.
- Очищайте корпус только слегка увлажненной тканью. Не используйте средства по уходу с содержанием силикона, поскольку они могут повредить пластиковые детали.
- Для очистки контактов электроинструмента используйте чистую сухую тряпку.

**Уход за литий-ионными аккумуляторами**

- Категорически запрещается использовать аккумулятор с забитыми вентиляционными прорезями. Осторожно очистите вентиляционные прорези сухой мягкой щеткой.
- Не допускайте чрезмерного запыления или загрязнения аккумулятора. Категорически запрещается подвергать аккумулятор чрезмерному воздействию влаги (например, опускать его в воду или оставлять под дождем).

Если аккумулятор промокнет, обращайтесь с ним, как с поврежденным. Поместите его в контейнер из негорючего материала и обратитесь в сервисную службу **Hilti**.

- Аккумулятор должен быть чистым, без следов масла и смазки. Не допускайте чрезмерного скопления пыли или грязи на аккумуляторе. Очищайте аккумулятор сухой мягкой кистью или чистой и сухой тряпкой. Не используйте средства по уходу с содержанием силикона, поскольку они могут повредить пластиковые детали.
- Не прикасайтесь к контактам аккумулятора и не удаляйте с них смазку, нанесенную на заводе.
- Очищайте корпус только слегка увлажненной тканью. Не используйте средства по уходу с содержанием силикона, поскольку они могут повредить пластиковые детали.

**Техническое обслуживание**

- Регулярно проверяйте все видимые части электроинструмента на отсутствие повреждений, а элементы управления — на исправное функционирование.
- При повреждениях и/или функциональных сбоях не используйте электроинструмент. Незамедлительно сдайте электроинструмент для ремонта в сервисный центр **Hilti**.
- После ухода за электроинструментом и его технического обслуживания установите все защитные приспособления на место и проверьте их исправное функционирование.



Для обеспечения безопасной эксплуатации используйте только оригинальные запасные части и расходные материалы. Допущенные **Hilti** запасные части, расходные материалы и принадлежности для этого электроинструмента вы можете найти в **Hilti Store** или на: [www.hilti.group](http://www.hilti.group)

**7 Транспортировка и хранение аккумуляторных инструментов и аккумуляторов****Транспортировка****ОСТОРОЖНО**

**Непреднамеренное включение в ходе транспортировки !**

- ▶ При транспортировке своих электроинструментов всегда отсоединяйте от них аккумуляторы!
- ▶ Извлеките аккумулятор(ы).
- ▶ Категорически запрещается транспортировать аккумуляторы без упаковки (бестарным способом). Во время транспортировки необходимо принять меры по защите аккумуляторов от сильных ударов и вибраций и изолировать их от любых токопроводящих материалов или других аккумуляторов, чтобы не допустить их контакта с клеммами других аккумуляторов и, как следствие этого, короткого замыкания. **Соблюдайте действующие предписания по транспортировке аккумуляторов.**
- ▶ Запрещается пересылать аккумуляторы по почте. Обратитесь в транспортно-экспедиционную компанию, если вы хотите переслать поврежденные аккумуляторы.
- ▶ Перед каждым использованием, а также перед длительной транспортировкой и после нее проверьте электроинструмент и аккумуляторы на отсутствие повреждений.



## Хранение

### ПРЕДУПРЕЖДЕНИЕ

#### Непреднамеренное повреждение вследствие неисправных или протекающих аккумуляторов !

- ▶ При хранении своих электроинструментов всегда отсоединяйте от них аккумуляторы!
- ▶ По возможности храните фонарь и аккумуляторы в сухом и прохладном месте. Соблюдайте ограничения по температуре, приводимые в технических характеристиках.
- ▶ Не храните аккумуляторы на зарядном устройстве. После зарядки всегда извлекайте аккумулятор из зарядного устройства.
- ▶ Никогда не оставляйте аккумуляторы на солнце, на нагревательных/отопительных элементах или за стеклом.
- ▶ Храните фонарь и аккумуляторы в недоступном для детей и посторонних лиц месте.
- ▶ Перед каждым использованием, а также перед длительным хранением и после него проверяйте электроинструмент и аккумуляторы на отсутствие повреждений.

## 8 Помощь при неисправностях

В случае неисправностей, которые не указаны в этой таблице или которые вы не можете устранить самостоятельно, обращайтесь в ближайший сервисный центр Hilti.

### 8.1 Помощь при неисправностях

Неисправность	Возможная причина	Решение
Дрель-шурупверт не работает.	Аккумулятор неправильно установлен.	▶ Вставьте аккумулятор. → страница 33
	Аккумулятор разряжен.	▶ Замените аккумулятор и зарядите разряженный аккумулятор.
Мигают все четыре светодиода. Дрель-шурупверт не работает.	Кратковременная перегрузка дрели-шурупверта	▶ Отпустите выключатель и нажмите его снова.
	Сработала защита от перегрева.	▶ Дайте остыть дрели-шурупверту и очистите ее вентиляционные отверстия.
Мигает один светодиод. Дрель-шурупверт не работает.	Аккумулятор разряжен.	▶ Замените аккумулятор и зарядите разряженный аккумулятор.
	Аккумулятор слишком холодный.	▶ Обеспечьте повышение температуры аккумулятора до рекомендованной рабочей температуры.
	Аккумулятор слишком горячий.	▶ Обеспечьте снижение температуры аккумулятора до рекомендованной рабочей температуры.
SF 6H-A22 Ударное сверление невозможно.	Неправильно установлен режим работы на кольце регулировки крутящего момента и установки режима работы.	▶ Переведите кольцо регулировки крутящего момента и установки режима работы на режим «Ударное сверление» .
Выключатель не нажимается или заблокирован.	Переключатель правого/левого вращения находится в среднем положении (положение для транспортировки).	▶ Установите переключатель правого/левого вращения в положение правого или левого вращения. → страница 35
Сильный нагрев дрели-шурупверта или аккумулятора.	Электрическая неисправность	▶ Немедленно выключите дрель-шурупверт, извлеките аккумулятор и обратитесь в ближайший сервисный центр Hilti.



Неисправность	Возможная причина	Решение
Сильный нагрев дрели-шуруповерта или аккумулятора.	Дрель-шуруповерт перегружена (работа за пределами эксплуатационных характеристик).	► Проверьте область применения.

## 9 Утилизация



### ПРЕДУПРЕЖДЕНИЕ

**Опасность травмирования вследствие неправильной утилизации!** Опасность для здоровья вследствие выхода газов или жидкостей.

- Не пересылайте поврежденные аккумуляторы!
- Закрывайте аккумуляторные контакты не проводящим ток материалом, чтобы избежать коротких замыканий.
- Утилизируйте аккумуляторы так, чтобы исключить их попадание в руки детей.
- Утилизируйте аккумулятор через ближайший **Hilti Store** или обратитесь в специализированную фирму по утилизации.



Большинство материалов, из которых изготовлены изделия **Hilti**, подлежат вторичной переработке. Перед утилизацией следует тщательно рассортировать материалы (для удобства их последующей переработки). Во многих странах фирма **Hilti** уже организовала прием бывших в использовании электрических и электронных устройств (инструментов, приборов) для утилизации. Дополнительную информацию по этому вопросу можно получить в отделе по обслуживанию клиентов или у консультантов по продажам фирмы **Hilti**.



- Не выбрасывайте электрические инструменты, электронные устройства/приборы и аккумуляторы вместе с обычным мусором!

## 10 RoHS (Директива об ограничении применения опасных веществ)

По этим ссылкам доступна таблица опасных веществ:

- SF 6-A22: [qr.hilti.com/r9370541](http://qr.hilti.com/r9370541)
- SF 6H-A22: [qr.hilti.com/r9370482](http://qr.hilti.com/r9370482)

Ссылку в виде QR-кода на таблицу опасных веществ согласно директиве RoHS см. в конце настоящего документа.

## 11 Гарантия производителя

- С вопросами по поводу гарантийных условий обращайтесь в ближайшее представительство **Hilti**.

## Оригінальна інструкція з експлуатації

### 1 Інформація про документацію

#### 1.1 Інформація про цей документ

- Перш ніж розпочинати роботу з інструментом, прочитайте цей документ. Це є передумовою безпечної роботи та відсутності несправностей під час застосування інструмента.
- Дотримуйтеся попереджувальних вказівок та вказівок з техніки безпеки, наведених у цьому документі та на корпусі інструмента.
- Завжди зберігайте інструкцію з експлуатації поблизу інструмента та передавайте інструмент іншим особам лише разом з інструкцією.



## 1.2 Пояснення символів

### 1.2.1 Попереджувальні вказівки

Попереджувальні вказівки інформують користувача про фактори небезпеки, пов'язані із застосуванням інструмента. Використовуються такі сигнальні слова:

#### НЕБЕЗПЕКА

##### НЕБЕЗПЕКА !

- Указує на безпосередню небезпеку, що може призвести до отримання тяжких тілесних ушкоджень або навіть до смерті.

#### ПОПЕРЕДЖЕННЯ

##### ПОПЕРЕДЖЕННЯ !

- Указує на потенційно небезпечну ситуацію, яка може призвести до отримання тяжких тілесних ушкоджень або навіть смерті.







#### ОБЕРЕЖНО

##### ОБЕРЕЖНО !

- Указує на потенційно небезпечну ситуацію, яка може призвести до отримання тілесних ушкоджень або до матеріальних збитків.





### 1.2.2 Символи в інструкції з експлуатації

У цій інструкції з експлуатації використовуються такі символи:

	Дотримуйтеся вказівок, наведених в інструкції з експлуатації
	Вказівки щодо експлуатації та інша корисна інформація
	Поводження з матеріалами, придатними для вторинної переробки
	Не викидайте електроінструменти і акумуляторні батареї у баки для побутового сміття
	<b>Hilti</b> Літій-іонна акумуляторна батарея
	<b>Hilti</b> Зарядний пристрій

### 1.2.3 Символи на ілюстраціях



На ілюстраціях використовуються такі символи:

	Цифрами позначаються відповідні ілюстрації, наведені на початку цієї інструкції з експлуатації.
	Нумерація відображає послідовність робочих кроків на ілюстраціях та може відрізнятися від нумерації у тексті.
	Номера позицій, наведені <b>на оглядовій ілюстрації</b> , відповідають номерам у легенді, що представлена у розділі « <b>Огляд продукту</b> ».
	Цей символ позначає аспекти, на які слід звернути особливу увагу під час застосування інструмента.

## 1.3 Символи, що обумовлені типом інструмента

### 1.3.1 Символи на інструменті

На інструменті можуть бути наведені такі символи:

	Інструмент підтримує бездротову передачу даних та є сумісним із платформами iOS та Android.
	Використовуваний тип літій-іонної акумуляторної батареї <b>Hilti</b> . Дотримуйтеся вказівок, наведених у розділі « <b>Використання за призначенням</b> ».



Li-Ion	Літій-іонна акумуляторна батарея
	Ніколи не використовуйте акумуляторну батарею у якості ударного інструмента.
	Не допускайте падіння акумуляторної батареї. Не використовуйте акумуляторну батарею, яка зазнала ударного навантаження або була пошкоджена іншим чином.
	Постійний струм
	Безударне свердління отворів
	Ударне свердління отворів
	Клас захисту II (подвійна ізоляція)
n <sub>0</sub>	Номінальна швидкість обертання під час холостого ходу
/min	Кількість обертів на хвилину

#### 1.4 Інформація про інструмент

Інструменти призначені для професійного використання, а тому їхню експлуатацію, технічне обслуговування та ремонт слід доручати лише авторизованому персоналу зі спеціальною підготовкою. Цей персонал повинен бути спеціально проінструктований про можливі ризики. Інструмент та допоміжне приладдя можуть стати джерелом небезпеки у разі їхнього неправильного застосування некваліфікованим персоналом або у разі використання не за призначенням.

Тип та серійний номер зазначені на заводській таблиці.

- Перепишіть серійний номер у наведену нижче таблицю. При оформленні запитів до нашого представництва та до сервісної служби вказуйте інформацію про інструмент.

##### Інформація про інструмент

Шурупокрут	SF 6-A22   SF 6H-A22
Версія	02
Серійний номер	

#### 1.5 Сертифікат відповідності

Зі всією належною відповідальністю заявляємо, що описаний у цьому документі інструмент відповідає діючим директивам і стандартам. Копія сертифіката відповідності наведена у кінці цього документа.

Технічна документація зазначена нижче:

Hilti Entwicklungsgesellschaft mbH | Zulassung Geräte | Hiltistraße 6 | 86916 Kaufering, DE

## 2 Безпека

### 2.1 Загальні вказівки з техніки безпеки при роботі з електроінструментами

**⚠ ПОПЕРЕДЖЕННЯ! Уважно прочитайте усі вказівки та інструкції з техніки безпеки, ознайомтеся з малюнками та технічними даними цього електроінструмента.** Щонайменше недотримання наведених нижче вказівок може призвести до ураження електричним струмом, займання та/або отримання тяжких травм.

**Збережіть всі інструкції та вказівки з техніки безпеки – вони можуть знадобитися Вам у майбутньому.**

Термін «електроінструмент», який використовується у вказівках з техніки безпеки, позначає як електроінструменти, що працюють від електричної мережі (із кабелем живлення), так і електроінструменти, що працюють від акумуляторної батареї (без кабелю живлення).

#### Безпека на робочому місці

- **Дбайте про чистоту та достатнє освітлення робочого місця.** Безлад на робочому місці та недостатнє освітлення можуть стати причиною нещасних випадків.
- **Не працюйте з електроінструментом у вибухонебезпечному середовищі, що містить легкозаймисті рідини, газу або пил.** Під час роботи електроінструментів утворюються іскри, від яких можуть зайнятися легкозаймисті випари або пил.



- ▶ **Подбайте про те, щоб під час використання електроінструмента поблизу не було дітей та сторонніх осіб.** Щонайменше відволікання може призвести до втрати контролю над інструментом.

### Електрична безпека

- ▶ **Штепсельна вилка електроінструмента повинна підходити до розетки живлення. Забороняється вносити зміни до конструкції штепсельної вилки. Не дозволяється застосовувати перерізані штепсельні вилки в електроінструментах із захисним заземленням.** У разі використання оригінальних штепсельних вилок і відповідних розеток знижується ризик ураження електричним струмом.
- ▶ **Під час роботи намагайтеся не торкатися заземлених поверхонь, наприклад труб, радіаторів опалення, печей та холодильників.** Якщо Ваше тіло перебуває в контакті із системою заземлення, існує підвищений ризик ураження електричним струмом.
- ▶ **Захищайте електроінструменти від дощу та вологи.** У разі проникнення води в електроінструмент підвищується ризик ураження електричним струмом.
- ▶ **Використовуйте з'єднувальний кабель тільки за призначенням, не переносьте за нього електроінструмент, не користуйтеся ним для підвищення інструмента та не тримайтеся за нього, дістаючи штепсельну вилку з розетки.** Оберігайте з'єднувальний кабель від впливу високих температур, від дії мастил та контакту з гострими кромками або рухомими частинами інструмента. Пошкоджені або заплутані з'єднувальні кабелі підвищують ризик ураження електричним струмом.
- ▶ **Працюючи з електроінструментом під відкритим небом, використовуйте лише подовжувальний кабель, придатний для зовнішнього застосування.** Використання подовжувального кабелю, призначеного для зовнішнього застосування, зменшує ризик ураження електричним струмом.
- ▶ **Якщо неможливо уникнути експлуатації електроінструмента за умов підвищеної вологості, використовуйте автомат захисту від струму витоку.** Використання автомата захисту від струму витоку зменшує ризик ураження електричним струмом.

### Безпека персоналу

- ▶ **Будьте уважними, зосередьтеся на виконуваній операції, до роботи з електроінструментом ставтеся серйозно. Не користуйтеся електроінструментом, якщо Ви втомлені або перебуваєте під дією наркотичних речовин, алкоголю або лікарських засобів.** Під час роботи з електроінструментом не відволікайтеся ні на мить, оскільки це може призвести до отримання серйозних травм.
- ▶ **Використовуйте засоби індивідуального захисту і завжди надягайте захисні окуляри.** Використання засобів індивідуального захисту, наприклад респіратора, захисного взуття на нековзній підшаві, захисного шолома або шумозахисних навушників – залежно від різновиду електроінструмента та особливостей його застосування – зменшує ризик травмування.
- ▶ **Уникайте випадкового вмикання електроінструмента. Переконайтеся в тому, що електроінструмент вимкнений, перш ніж вставляти штепсельну вилку в розетку живлення та/або приєднувати акумулятор, піднімати електроінструмент або переносити його.** Якщо під час перенесення електроінструмента тримати палець на вимикачі або приєднувати інструмент до джерела живлення увімкненим, це може призвести до нещасного випадку.
- ▶ **Перш ніж вмикати електроінструмент, від'єднайте від нього все налагоджувальне приладдя або гайкові ключі.** Приладдя або ключ, що знаходяться в обертовому вузлі інструмента, можуть стати причиною отримання травм.
- ▶ **Уникайте виконання роботи в незручній позі. Під час виконання робіт ставайте в стійку позу і намагайтеся повсякчас утримувати рівновагу.** Це дозволить Вам більш упевнено контролювати електроінструмент у разі виникнення несподіваних обставин.
- ▶ **Надягайте відповідний робочий одяг. Не надягайте для роботи занадто просторий одяг та прикраси. Слідкуйте за тим, щоб волосся, одяг та робочі рукавиці знаходилися подальше від обертових частин інструмента.** Просторий одяг, прикраси або довге волосся можуть бути захоплені рухомими частинами інструмента.
- ▶ **Якщо передбачена можливість установа системи пиловидалення та пилозбірників, обов'язково переконайтеся в тому, що вони правильно приєднані й використовуються належним чином.** Застосування системи видалення пилу дозволяє зменшити негативний вплив пилу на персонал.
- ▶ **Не можна нехтувати правилами безпеки під час роботи з електроінструментами навіть у тому випадку, коди Ви добре знайомі з тим чи іншим електроінструментом.** Якщо користуватися інструментом необережно, лише малі частки секунди може бути достатньо для отримання тяжких травм.

### Використання електроінструмента та належний догляд за ним

- ▶ **Не допускайте перенавантаження інструмента. Завжди використовуйте електроінструмент, призначений для виконання відповідної роботи.** При використанні належного електроінст-



румента забезпечуються більш висока якість та безпека виконання робіт у вказаному діапазоні продуктивності.

- ▶ **Не використовуйте електроінструмент із пошкодженням вимикачем.** Електроінструмент, який неможливо вмикати або вимикати, є небезпечним і підлягає ремонту.
- ▶ **Перш ніж розпочинати налаштування інструмента, виконувати заміну приладдя або робити перерву в роботі, не забудьте вийняти штепсельну вилку з розетки та/або вийняти з інструмента змінну акумуляторну батарею.** Такий запобіжний захід допоможе уникнути випадкового вмикання електроінструмента.
- ▶ **Електроінструменти, що не використовуються, зберігайте в недоступному для дітей місці. Не дозволяйте користуватися інструментом особам, які не ознайомлені з ним або не прочитали ці вказівки.** У руках недосвідчених людей електроінструменти являють собою серйозну небезпеку.
- ▶ **Електроінструменти та їх приладдя потребують дбайливого догляду. Ретельно перевіряйте, чи бездоганно працюють та чи не заклинюють рухомі частини, чи не зламалися або не зазнали інших пошкоджень деталі, від яких залежить справна робота електроінструмента. Перед початком роботи з інструментом пошкоджені деталі слід відремонтувати.** Багатьох нещасних випадків можна уникнути за умови належного технічного обслуговування електроінструментів.
- ▶ **Слідкуйте за тим, щоб ріжучі інструменти завжди залишалися чистими та належним чином заточеними.** Дбайливо доглянутий ріжучий інструмент із гострими різальними кромками не так часто заклинюється, і з ним легше працювати.
- ▶ **Під час експлуатації електроінструмента, приладдя до нього, робочих інструментів тощо дотримуйтеся наведених у цьому документі вказівок. При цьому завжди враховуйте умови в місці виконання робіт та дії, яких вимагає поставлене завдання.** Використання електроінструментів не за призначенням може призвести до виникнення небезпечних ситуацій.
- ▶ **Слідкуйте за тим, щоб поверхні рукояток були чистими та сухими, та не допускайте їхнього забруднення мастилом.** Якщо поверхні рукояток слизькі, це унеможливіє впевнене контролювання електроінструмента у непередбачених ситуаціях.

#### **Використання акумуляторного інструмента та належний догляд за ним**

- ▶ **Для заряджання акумуляторних батарей застосовуйте лише зарядні пристрої, рекомендовані виробником.** Зарядний пристрій, придатний для заряджання акумуляторних батарей певного типу, може спричинити пожежу, якщо його застосовувати для заряджання акумуляторних батарей інших типів.
- ▶ **Для живлення електроінструментів застосовуйте лише спеціально призначені для цього акумуляторні батареї.** Застосування інших акумуляторних батарей може призвести до отримання травм і виникнення пожежі.
- ▶ **Акумуляторну батарею, яка не використовується, тримайте подалі від канцелярських скріпок, монет, ключів, цвяхів, гвинтів та інших дрібних металевих предметів, які могли б спричинити коротке замикання її контактів.** Коротке замикання контактів акумуляторної батареї може призвести до отримання опіків або до виникнення пожежі.
- ▶ **У разі неправильного застосування з акумуляторної батареї може пролитися рідина. Уникайте контакту з нею. У разі випадкового контакту цієї рідини зі шкірою негайно промийте уражене місце достатньою кількістю води. Якщо рідина потрапила в очі, рекомендується додатково звернутися по лікарську допомогу.** Пролита з акумуляторної батареї рідина може призвести до подразнення шкіри або отримання опіків.
- ▶ **Не використовуйте акумуляторну батарею, якщо вона пошкоджена або якщо її конструкція була змінена.** Пошкоджені або модифіковані акумуляторні батареї вкрай ненадійні та становлять небезпеку пожежі, вибуху або травмування.
- ▶ **Не піддавайте акумуляторну батарею впливу вогню або високих температур.** Вогонь або температури понад 130 °C (265 °F) можуть спричинити вибух.
- ▶ **Дотримуйтеся вказівок щодо заряджання. Ніколи не заряджайте акумуляторну батарею або акумуляторний інструмент в умовах, що виходять за межі температурного діапазону, зазначеного в інструкції з експлуатації.** Неналежне заряджання або заряджання за межами зазначеного температурного діапазону може призвести до руйнування акумуляторної батареї та підвищує ризик займання.

#### **Сервісне обслуговування**

- ▶ **Доручайте ремонт електроінструмента лише кваліфікованому персоналу зі спеціальною підготовкою за умови використання тільки оригінальних запасних частин.** Це забезпечить функціональність інструмента.
- ▶ **Заборонається здійснювати технічне обслуговування пошкоджених акумуляторних батарей. У будь-яких випадках технічне обслуговування акумуляторних батарей повинен здійснювати виробник або уповноважена служба технічного обслуговування.**





## 2.2 Указівки з техніки безпеки при роботі зі свердливими інструментами

### Указівки з техніки безпеки для виконання усіх типів робіт

- ▶ Під час ударного свердління використовуйте захисні навушники. Тривалий вплив шуму може призвести до втрати слуху.
- ▶ Використовуйте додаткову рукоятку. Втрата контролю над інструментом може стати причиною травмування.
- ▶ Тримайте електроінструмент за ізольовані поверхні рукояток, оскільки під час використання робочий інструмент або гвинт можуть натрапити на приховані електричні кабелі. У разі контакту з електричним кабелем, який знаходиться під напругою, металеві деталі інструмента також потрappaють під напругу, а це може призвести до ураження електричним струмом.

### Указівки з техніки безпеки під час застосування довгих свердел

- ▶ Швидкість обертання у жодному разі не повинна перевищувати максимально допустиму швидкість обертання свердла. Якщо свердло обертатиметься із більшою швидкістю, то під час вільного обертання без контакту з оброблюваним об'єктом воно може деформуватися, що у свою чергу може спричинити травми.
- ▶ Завжди розпочинайте свердління за низької швидкості обертання, попередньо встановивши свердло на оброблюваний об'єкт. Якщо свердло обертатиметься із більшою швидкістю, то під час вільного обертання без контакту з оброблюваним об'єктом воно може деформуватися, що у свою чергу може спричинити травми.
- ▶ На свердло дозволяється натискати лише у поздовжньому напрямку, не докладаючи при цьому надмірних зусиль. Невиконання цієї вказівки може призвести до руйнування свердла внаслідок його деформування або спричинити травми внаслідок втрати контролю над інструментом.

### Указівки з техніки безпеки під час використання насадок-мішалок та міксерів

- ▶ Вмикати та вимикати електроінструмент дозволяється лише в тому випадку, коли насадка-мішалка знаходиться у розміщуваному матеріалі. Невиконання цієї вказівки може призвести до травмування внаслідок втрати контролю над інструментом.

## 2.3 Додаткові вказівки з техніки безпеки під час загвинчування гвинтів

### Безпека персоналу

- ▶ Користуйтеся лише повністю справним інструментом та приладдям.
- ▶ Вносити будь-які зміни до конструкції інструмента або приладдя заборонено.
- ▶ Використовуйте додаткові рукоятки, що входять до комплекту постачання інструмента. Втрата контролю над інструментом може стати причиною травмування.
- ▶ Завжди міцно тримайте інструмент обома руками за передбачені для цього рукоятки. Слідкуйте за тим, щоб рукоятки були сухими та чистими.
- ▶ Уникайте контакту з деталями інструмента, що обертаються. Існує ризик отримання травми!
- ▶ Під час роботи з виробом використовуйте захисні окуляри, захисну каску, захисні навушники та легкий респіратор.
- ▶ Під час заміни робочого інструмента користуйтеся захисними рукавицями. Контакт зі змінним робочим інструментом може призвести до отримання порізів або опіків.
- ▶ Використовуйте захисні окуляри. Уламки матеріалу можуть завдати поранень або пошкодити очі.
- ▶ Пил, який утворюється під час шліфування, обробки наждачним папером, різання та свердління певних матеріалів, може містити небезпечні хімічні речовини. Деякі приклади таких матеріалів: свинець або фарби на основі свинцю; цегла, бетон та інші матеріали, що використовуються для споруджування стін, зокрема природний камінь та інші речовини, які містять силікати; певні види деревини, зокрема дуб або бук, а також деревина, яка пройшла хімічну обробку; азбест або матеріали, що містять азбест. Визначайте рівень впливу пилу на оператора та осіб, які знаходяться поблизу, приймаючи до уваги клас небезпеки оброблюваних матеріалів. Вживайте потрібних заходів, щоб утримувати вплив пилу на мінімально можливому рівні, зокрема використовуйте систему видалення пилу або відповідний респіратор. До загальних заходів, спрямованих на зменшення впливу пилу, належать такі:
  - ▶ виконання робіт на добре провітрюваній ділянці;
  - ▶ уникнення тривалого контакту з пилом;
  - ▶ недопущення контакту пилу з обличчям та тілом;
  - ▶ використання захисного одягу, а також миття засмічених ділянок водою з милом.
- ▶ Часто робіть перерви у роботі та виконуйте вправи на розминання пальців, щоб покращити кровообіг у них. Під час довготривалих робіт високочастотна вібрація може пошкодити судини або нерви у пальцях, руках або зап'ясткових суглобах.



### Електрична безпека

- ▶ Перед початком роботи перевіряйте робоче місце на наявність прихованих електричних кабелів, газових та водопровідних труб. Якщо під час роботи будуть випадково пошкоджені електричні кабелі, газовий або водяний трубопровід, то їхній контакт із відкритими металевими деталями інструмента може спричинити ураження електричним струмом або вибух.

### Належне використання електроінструментів та дбайливий догляд за ними

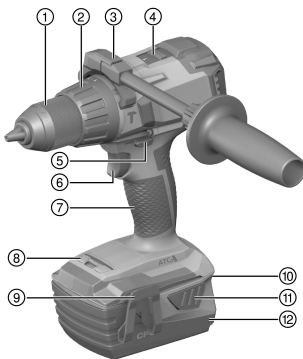
- ▶ негайно вимкніть інструмент, якщо сталося блокування змінного робочого інструмента. Інструмент може відхилитися вбік.
- ▶ Зачекайте, доки інструмент повністю не зупиниться, перш ніж виймати його з оброблюваної заготовки.

## 2.4 Застосування акумуляторних батарей та дбайливий догляд за ними

- ▶ Дотримуйтеся особливих указівок щодо транспортування, складського зберігання та застосування літій-іонних акумуляторних батарей.
- ▶ Не піддавайте акумуляторні батареї впливу високих температур, прямих сонячних променів та відкритого вогню.
- ▶ Акумуляторні батареї забороняється розбирати, роздавлювати, нагрівати до температури понад 80 °C (176 °F) або спалювати.
- ▶ Не використовуйте та не заряджайте акумуляторні батареї, які зазнали впливу ударного навантаження, впали з висоти більше одного метра або були пошкоджені іншим чином. У разі виникнення такої ситуації завжди звертайтеся до **сервісної служби** компанії **Hilti**.
- ▶ Якщо акумуляторна батарея гаряча на дотик, вона може бути пошкоджена. Залиште акумуляторну батарею у захищеному від вогню місці на достатній відстані від горючих матеріалів, де за нею можна спостерігати. Зачекайте, доки акумуляторна батарея не охолоне. Якщо через годину акумуляторна батарея все ще залишається гарячою на дотик, це свідчить про її несправність. Зверніться до **сервісної служби** компанії **Hilti**.

## 3 Опис

### 3.1 Огляд інструмента



- ① Швидкозатискна втулка
- ② Регульовальне кільце для встановлення обертового моменту та режиму роботи
- ③ Бокова рукоятка
- ④ Перемикач швидкостей
- ⑤ Перемикач напряму обертання за годинниковою стрілкою/проти годинникової стрілки з блокуванням увімкнення
- ⑥ Вимикач (із електронним регулятором числа обертів)
- ⑦ Рукоятка
- ⑧ Освітлення робочої зони
- ⑨ Поясний гачок (опція)
- ⑩ Індикатор стану заряду та несправності (літій-іонна акумуляторна батарея)
- ⑪ Деблокувальна кнопка акумуляторної батареї
- ⑫ Акумуляторна батарея

### 3.2 Використання за призначенням

Описаний у цьому документі інструмент являє собою ручний акумуляторний шурупокрут. Він призначений для свердління отворів у сталі, деревині, пластмасі, легкому бетоні та цегляній кладці, а також для загвинчування і розгвинчування гвинтів.

- ▶ Використовуйте із цим інструментом лише літій-іонні акумуляторні батареї **Hilti** типу B 22.
- ▶ Для заряджання цих акумуляторних батарей використовуйте тільки зарядні пристрої **Hilti** типу C4/36.



### 3.3 Комплект постачання

Шурупокрут, бокова рукоятка, інструкція з експлуатації.

Інше приладдя, допущене до експлуатації з Вашим інструментом, Ви можете придбати у найближчому магазині **Hilti Store** або на веб-сайті **www.hilti.group** | CLLJA: **www.hilti.com**

### 3.4 Індикатор літій-іонної акумуляторної батареї

Стан заряду літій-іонної акумуляторної батареї та несправності інструмента позначаються за допомогою індикатора літій-іонної акумуляторної батареї. Щоб відобразити стан заряду літій-іонної акумуляторної батареї, слід злегка натиснути на одну з деблокувальних кнопок акумуляторної батареї.

Стан	Значення
Горять 4 світлодіоди.	Стан заряду: від 75 % до 100 %
Горять 3 світлодіоди.	Стан заряду: від 50 % до 75 %
Горять 2 світлодіоди.	Стан заряду: від 25 % до 50 %
Горить 1 світлодіод.	Стан заряду: від 10 % до 25 %
Мигає 1 світлодіод.	Стан заряду: < 10 %
1 світлодіод мигає, інструмент не готовий до роботи.	Акумуляторна батарея перегрілася або повністю розряджена.
4 світлодіоди мигають, інструмент не готовий до роботи.	Інструмент перенавантажений або перегрітий.



При натиснутому вимикачі та протягом 5 секунд після його відпускання перевірка стану заряду неможлива.

Якщо світлодіодні індикатори акумуляторної батареї мигають, будь ласка, виконайте вказівки, наведені в розділі «Допомога у разі виникнення несправностей».

### 3.5 Система АТС

Інструмент оснащений електронною системою аварійного вимкнення АТС (Active Torque Control).

Якщо станеться блокування або заклинювання робочого інструмента, інструмент може раптово та неконтрольовано зсунутися у напрямку, протилежному напрямку обертання робочого інструмента. Система АТС розпізнає цей раптовий обертальний рух та одразу вимикає інструмент.



Задля забезпечення належного функціонування не можна створювати перешкод для обертального руху інструмента.

У разі спрацювання системи аварійного вимкнення вимкніть інструмент, а потім увімкніть його знову.

### 3.6 Індикатор перенавантаження та перегрівання

Інструмент оснащено електронним запобіжником від перенавантаження та перегрівання. У разі перенавантаження або перегрівання інструмент автоматично вимикається. Якщо відпустити вимикач, а потім знову натиснути його, інструмент може увімкнутися із затримкою (фаза охолодження).

## 4 Технічні дані

		SF 6-A22	SF 6H-A22
<b>Номінальна напруга</b>		21,6 В <sub>пост. стр.</sub>	21,6 В <sub>пост. стр.</sub>
<b>Маса відповідно до ЕРТА Procedure 01 з акумуляторною батареєю B228.0</b>		3,1 кг	3,1 кг
<b>Швидкість обертання</b>	<b>1-а швидкість</b>	0 об/хв ... 490 об/хв	0 об/хв ... 490 об/хв
	<b>2-а швидкість</b>	0 об/хв ... 2 000 об/хв	0 об/хв ... 2 000 об/хв
<b>Обертний момент (загвинчування у м'який матеріал) </b>		≤ 65 Н·м	≤ 65 Н·м



	SF 6-A22	SF 6H-A22
Частота ударів	•/•	36 000 об/хв
Температура навколишнього середовища під час роботи	-17 °C ... 60 °C	-17 °C ... 60 °C
Температура зберігання	-20 °C ... 70 °C	-20 °C ... 70 °C

#### 4.1 Акумуляторна батарея

Робоча напруга акумуляторної батареї	21,6 В
Температура навколишнього середовища під час роботи	-17 °C ... 60 °C
Температура зберігання	-20 °C ... 40 °C
Температура акумуляторної батареї на початку процесу заряджання	-10 °C ... 45 °C

#### 4.2 Припустимий діаметр змінних робочих інструментів

Ø, діапазон затискання швидкозатискної втулки	1,5 мм ... 13 мм
Ø свердла для деревини (твердої)	1,5 мм ... 20 мм
Ø свердла для деревини (м'якої)	1,5 мм ... 32 мм
Ø свердла для металу	1,5 мм ... 13 мм
Ø свердла для бетону/цегляної кладки (ударне свердління)	4 мм ... 12 мм

#### 4.3 Дані про шум та значення вібрації, виміряні згідно зі стандартом EN 62841

Наведені у цих рекомендаціях значення звукового тиску та вібрації були виміряні згідно з установленою процедурою вимірювання та можуть використовуватися для порівняння електроінструментів. Вони також придатні для попереднього оцінювання шумового та вібраційного навантаження.

Наведені дані обумовлюють переважні сфери застосування електроінструмента. Однак якщо Ви використовуєте його не за призначенням, застосовуєте нестандартне приладдя або неналежним чином здійснюєте догляд за інструментом, ці дані можуть відрізнятися від вказаних значень. Це може призвести до помітного збільшення шумового та вібраційного навантаження протягом усього робочого часу.

Для більш точної оцінки шумового та вібраційного навантаження необхідно враховувати також проміжки часу, протягом яких інструмент залишається вимкненим або працює на холостому ходу. Це може значно зменшити вібраційне та шумове навантаження протягом усього робочого часу.

Необхідно також вживати додаткових заходів безпеки з метою захисту працівників від дії шуму та/або вібрації, зокрема: проводити своєчасне технічне обслуговування електроінструмента та змінних робочих інструментів до нього, утримувати руки у теплі, належним чином організувати робочий процес.

##### Рівень шуму

	SF 6-A22	SF 6H-A22
Рівень звукового тиску ( $L_{pA}$ )	78 дБ(A)	91 дБ(A)
Похибка для рівня звукового тиску ( $K_{pA}$ )	3 дБ(A)	3 дБ(A)
Рівень шумової потужності ( $L_{WA}$ )	89 дБ(A)	102 дБ(A)
Похибка для рівня шумової потужності ( $K_{WA}$ )	3 дБ(A)	3 дБ(A)

##### Сумарне значення вібрації

	SF 6-A22	SF 6H-A22
Рівень вібрації, що створюється під час свердління отворів у металі ( $a_{h,D}$ )	1,4 м/с <sup>2</sup>	2,8 м/с <sup>2</sup>
Похибка для свердління отворів у металі (K)	1,5 м/с <sup>2</sup>	1,5 м/с <sup>2</sup>
Рівень вібрації, що створюється під час загнування гвинтів ( $a_h$ )	0,8 м/с <sup>2</sup>	1,1 м/с <sup>2</sup>
Похибка для загнування гвинтів (K)	1,5 м/с <sup>2</sup>	1,5 м/с <sup>2</sup>



	SF 6-A22	SF 6H-A22
Рівень вібрації, що створюється під час ударного свердління отворів у бетоні ( $a_{h,LD}$ )	*/*	15,4 м/с <sup>2</sup>
Похибка для ударного свердління отворів у бетоні (K)	*/*	1,5 м/с <sup>2</sup>

## 5 Експлуатація

### 5.1 Установлення акумуляторної батареї

#### ПОПЕРЕДЖЕННЯ

**Ризик отримання травм внаслідок короткого замикання або падіння акумуляторної батареї!**

- ▶ Перш ніж установлювати акумуляторну батарею, переконайтеся, що на контактах батареї та інструмента немає сторонніх предметів.
- ▶ Завжди перевіряйте, щоб акумуляторна батарея була правильно зафіксована.

1. Перед першим використанням акумуляторну батарею слід повністю зарядити.
2. Уставте акумуляторну батарею в інструмент, щоб вона зафіксувалася із чітким характерним звуком.
3. Переконайтеся, що акумуляторна батарея надійно зафіксована в інструменті.

### 5.2 Виймання акумуляторної батареї

1. Натисніть на деблокувальні кнопки акумуляторної батареї.
2. Дістаньте акумуляторну батарею з інструмента.

### 5.3 Зарядження акумуляторної батареї

1. Перед зарядженням акумуляторної батареї прочитайте інструкцію з експлуатації зарядного пристрою.
2. Контакти акумуляторної батареї та зарядного пристрою повинні бути чистими та сухими.
3. Заряджайте акумуляторну батарею тільки за допомогою тих зарядних пристроїв, які допущені до застосування з нею. → стор. 44

### 5.4 Установлення бокової рукоятки 2

#### ОБЕРЕЖНО

**Ризик отримання травм!** Втрата контролю над перфоратором.

- ▶ Переконайтеся в тому, що бокова рукоятка правильно змонтована і належним чином закріплена. Переконайтеся, що затискачі належним чином установлені у передбачені для них пази.
1. Установіть перемикач напряму обертання за годинниковою стрілкою/проти годинникової стрілки у середнє положення.
  2. Прокрутіть бокову рукоятку, щоб вивільнити її затискачі.
  3. Установіть тримач бокової рукоятки на корпус, після чого вставте затискачі у передбачені для них пази.
  4. Прокрутіть бокову рукоятку, щоб зафіксувати її тримач.

### 5.5 Установлення поясного гачка (опція) 3

#### ПОПЕРЕДЖЕННЯ

**Ризик отримання травм.** Падіння інструмента може становити небезпеку для Вас та інших осіб.

- ▶ Перш ніж розпочинати роботу, перевірте, чи надійно закріплено поясний гачок.



За допомогою поясного гачка інструмент можна зручно носити на поясі. Поясний гачок підходить для встановлення як з правого, так і з лівого боку.

1. Вийміть акумуляторну батарею. → стор. 47
2. Уставте поясний гачок у передбачений для нього отвір в основі інструмента.
3. Закріпіть поясний гачок двома гвинтами.



4. Установіть акумуляторну батарею. → стор. 47

## 5.6 Установлення тримача насадок Hilti (опція) 4

1. Вийміть акумуляторну батарею. → стор. 47
2. Уставте тримач насадок справа або зліва у передбачений для нього отвір на ніжці інструмента.
3. Закріпіть тримач насадок двома гвинтами.
4. Установіть акумуляторну батарею. → стор. 47

## 5.7 Установлення захисту від падіння Hilti (опція) 5

### УВАГА

**Пошкодження інструмента та/або утримувального троса.** Внаслідок неналежного використання можливе пошкодження інструмента та/або утримувального троса.

- ▶ Не використовуйте металеві ланцюги замість утримувального троса. Не використовуйте утримувальні троси довжиною понад 2,0 m (6 ft).



Якщо інструмент використовується на висоті, то задля уникнення збитків рекомендується установлювати на нього захист від падіння **Hilti**.

Завдяки захисту від падіння Ви можете закріплювати інструмент за допомогою тросів/ременів.

Під час використання інструмента необхідно обов'язково дотримуватися місцевих указівок щодо виконання робіт на висоті.

1. Вийміть акумуляторну батарею. → стор. 47
2. Уставте дві скоби захисту від падіння у прорізи, розташовані з обох боків на ніжці інструмента.
3. Закріпіть захист від падіння передбаченими для нього гвинтами.
4. Установіть акумуляторну батарею. → стор. 47

## 5.8 Вибір швидкості 6

- ▶ Виберіть швидкість.

## 5.9 Налаштування обертання за годинниковою стрілкою/проти годинникової стрілки 7



Блокувальний пристрій не дозволяє перемикати напрям обертання під час роботи двигуна. У середньому положенні перемикач заблокований (функція блокування увімкнена).

- ▶ Установіть перемикач напрямку обертання за годинниковою стрілкою/проти годинникової стрілки в положення «за годинниковою стрілкою» або «проти годинникової стрілки».

## 5.10 Установлення/змінення змінного робочого інструмента 8

1. Переведіть перемикач напрямку обертання за годинниковою стрілкою/проти годинникової стрілки в середнє положення або від'єднайте акумуляторну батарею від інструмента.
2. Відкрийте швидкозатискну втулку.
3. Уставте змінний робочий інструмент у затискний патрон або вийміть його із затискного патрона.
4. Закрутіть швидкозатискний патрон.
5. Перевірте надійність кріплення змінного робочого інструмента.

## 5.11 Свердління 9

### ОБЕРЕЖНО

**Ризик отримання травм.** Може раптово статися блокування змінного робочого інструмента, внаслідок чого інструмент може відхилитися вбік.

- ▶ Під час роботи з інструментом завжди використовуйте бокову рукоятку, а сам інструмент міцно утримуйте обома руками.
- ▶ Завжди беріться за бокову рукоятку ззовні.



## ОБЕРЕЖНО

**Ризик отримання травм.** Від матеріалу основи можуть відколюватися уламки.

- ▶ Використовуйте захисні окуляри.
- 
- ▶ Переведіть регульоване кільце для встановлення обертового моменту та режиму роботи у положення «Свердління»

### 5.12 Ударне свердління отворів

SF 6H-A22

- ▶ Переведіть регульоване кільце для встановлення режиму роботи у положення «Ударне свердління»

### 5.13 Загвинчування

- ▶ За допомогою регульованого кільця для встановлення обертового моменту та режиму роботи виберіть потрібний обертовий момент.

### 5.14 Увімкнення

- ▶ Натисніть на вимикач інструмента.
  - ▶ Швидкість обертання можна плавно підвищувати від мінімального до максимального значення.

### 5.15 Вимикання інструмента

- ▶ Відпустіть вимикач.

## 6 Догляд і технічне обслуговування

### ПОПЕРЕДЖЕННЯ

**Небезпека травмування під час виконання робіт на інструменті з установленою акумуляторною батареєю !**

- ▶ Завжди діставайте з інструмента акумуляторну батарею, перш ніж розпочинати будь-які роботи з догляду та технічного обслуговування!

#### Догляд за виробом

- Видаляйте накопичення бруду обережно.
- Якщо конструкцією інструмента передбачені вентиляційні прорізи, обережно прочищайте їх м'якою сухою щіткою.
- Чистьте корпус інструмента тільки вологою тканиною. Не використовуйте миючі засоби, що містять силікон, оскільки вони можуть пошкодити пластмасові деталі.
- Для чищення контактів інструмента використовуйте чисту суху тканину.

#### Догляд за літій-іонними акумуляторними батареями

- Ніколи не використовуйте акумуляторну батарею із заблокованими вентиляційними прорізами. Обережно прочищайте вентиляційні прорізи м'якою сухою щіткою.
- Уникайте зайвого контакту акумуляторної батареї з пилом або брудом. Ніколи не піддавайте акумуляторну батарею впливу високої вологості (зокрема, не занурюйте її у воду та не залишайте під дощем).

Якщо рідина потрапила всередину акумуляторної батареї, з нею слід поводитися як із пошкодженою акумуляторною батареєю. Ізолюйте акумуляторну батарею у контейнері з незаймистого матеріалу та зверніться до сервісної служби компанії **Hilti**.

- Не допускайте забруднення акумуляторної батареї сторонніми мастильними матеріалами. Слідкуйте за тим, щоб на акумуляторній батареї не накопичувалася занадто велика кількість пилу або бруду. Видаляйте забруднення з акумуляторної батареї м'якою сухою щіткою або чистою сухою тканиною. Не використовуйте миючі засоби, що містять силікон, оскільки вони можуть пошкодити пластмасові деталі.

Не торкайтеся контактів акумуляторної батареї та не видаляйте з них мастильні матеріали, нанесені на заводі виробника.



- Чистьте корпус інструмента тільки вологою тканиною. Не використовуйте миючі засоби, що містять силікон, оскільки вони можуть пошкодити пластмасові деталі.

#### Технічне обслуговування

- Регулярно перевіряйте усі зовнішні частини інструмента на наявність пошкоджень, а органи керування – на предмет справної роботи.
- Не використовуйте інструмент у разі виявлення пошкоджень та/або порушень функціональності. негайно передайте інструмент до сервісної служби компанії **Hilti** для здійснення ремонту.
- Після завершення робіт з догляду і технічного обслуговування встановіть усі захисні пристрої та перевірте їхню роботу.



Щоб гарантувати належну роботу інструмента, використовуйте тільки оригінальні запасні частини та видаткові матеріали. Рекомендовані компанією **Hilti** запасні частини, видаткові матеріали та приладдя для інструмента Ви можете придбати у найближчому магазині **Hilti Store** або на веб-сайті [www.hilti.group](http://www.hilti.group)

## 7 Транспортування та зберігання акумуляторних інструментів та акумуляторних батарей

### Транспортування

#### ОБЕРЕЖНО

#### Непередбачене увімкнення інструмента під час транспортування !

- ▶ На час транспортування завжди діставайте з інструмента акумуляторну батарею!
- ▶ Діставайте акумуляторну(-і) батарею(-і).
- ▶ Ніколи не перевозьте акумуляторні батареї у незапакованому вигляді. Під час перевезення акумуляторні батареї повинні бути захищені від сильних поштовхів та вібрацій, а також ізольовані від будь-яких струмопровідних матеріалів та від інших акумуляторних батарей. Це дозволить уникнути короткого замикання, яке може статися через контакт полюсів різних акумуляторних батарей. **Дотримуйтеся місцевих правил, які регламентують порядок перевезення акумуляторних батарей.**
- ▶ Забороняється пересилати акумуляторні батареї поштою. Для пересилання непошкоджених акумуляторних батарей зверніться до кур'єрської служби.
- ▶ Перед кожним використанням, а також перед тривалим транспортуванням і після його завершення перевіряйте інструмент та акумуляторні батареї на наявність пошкоджень.

### Зберігання

#### ПОПЕРЕДЖЕННЯ

#### Непередбачене пошкодження інструмента через несправність акумуляторної батареї або через виток електроліту з акумуляторної батареї !

- ▶ На час зберігання завжди діставайте з інструмента акумуляторну батарею!
- ▶ Зберігайте інструмент та акумуляторні батареї у сухому прохолодному місці. Дотримуйтеся діапазону температур, зазначеного у технічних даних інструмента.
- ▶ Не зберігайте акумуляторні батареї на зарядному пристрої. Після закінчення процесу заряджання завжди від'єднуйте акумуляторну батарею від зарядного пристрою.
- ▶ Не зберігайте акумуляторні батареї на сонці, біля джерел тепла або на підвіконні.
- ▶ Зберігайте інструмент та акумуляторні батареї у сухому місці, недоступному для дітей та сторонніх осіб.
- ▶ Перед кожним використанням, а також перед тривалим зберіганням і після його завершення перевіряйте інструмент та акумуляторні батареї на наявність пошкоджень.

## 8 Допомога у разі виникнення несправностей

У разі виникнення несправностей, які не зазначені у цій таблиці або які Ви не можете полагодити самостійно, зверніться до сервісної служби компанії **Hilti**.





## 8.1 Допомога у разі виникнення несправностей

Несправність	Можлива причина	Рішення
Шурупокрут не працює.	Акумуляторна батарея встановлена неналежним чином.	► Установіть акумуляторну батарею. → стор. 47
	Акумуляторна батарея розряджена.	► Замініть акумуляторну батарею та зарядіть розряджену акумуляторну батарею.
Усі 4 світлодіоди мигають. Шурупокрут не працює.	Сталося короткочасне перенавантаження шурупокрута.	► Відпустіть вимикач та знову натисніть на нього.
	Система захисту від перегрівання	► Зачекайте, доки шурупокрут не охолоне, та прочистьте вентиляційні прорізи.
1 світлодіод мигає. Шурупокрут не працює.	Акумуляторна батарея розряджена.	► Замініть акумуляторну батарею та зарядіть розряджену акумуляторну батарею.
	Акумуляторна батарея занадто холодна.	► Зачекайте, доки акумуляторна батарея не нагріється або не охолоне до належної робочої температури.
	Акумуляторна батарея занадто гаряча.	► Зачекайте, доки акумуляторна батарея не нагріється або не охолоне до належної робочої температури.
SF 6H-A22 Ударне свердління отворів неможливе.	Регульовальне кільце встановлене на невірний режим роботи.	► Переведіть регульовальне кільце для встановлення режиму роботи у положення «Ударне свердління» <b>IT</b> .
На вимикач неможливо натиснути, або він заблокований.	Перемикач напряду обертання за годинниковою стрілкою/проти годинникової стрілки знаходиться у середньому положенні (транспортне положення).	► Установіть перемикач напряду обертання за годинниковою стрілкою/проти годинникової стрілки у положення «за годинниковою стрілкою» або «проти годинникової стрілки». → стор. 48
Шурупокрут або акумуляторна батарея сильно перегріваються.	Електрична несправність	► негайно вимкніть шурупокрут, дістаньте з нього акумуляторну батарею та зверніться до сервісної служби компанії <b>Hilti</b> .
	Шурупокрут перенавантажений (перевищене максимальне припустиме навантаження).	► Переконайтеся, що обраний режим роботи відповідає способу застосування інструмента.

## 9 Утилізація



### ПОПЕРЕДЖЕННЯ

**Ризик отримання травм внаслідок неналежної утилізації!** Небезпека для здоров'я внаслідок контакту з газами або рідинами, що виходять з акумуляторної батареї.

- Пошкоджені акумуляторні батареї забороняється пересилати поштою або кур'єрською службою!
- Закрийте контакти акумуляторних батарей електронепровідним матеріалом, щоб запобігти короткому замиканню.
- Утилізуйте акумуляторні батареї таким чином, щоб вони не потрапили до рук дітей.
- Щоб утилізувати акумуляторну батарею, передайте її до найближчого магазину **Hilti Store** або зверніться до представника відповідної компанії з утилізації відходів.



Більшість матеріалів, з яких виготовлено інструменти компанії **Hilti**, придатні для вторинної переробки. Передумовою для їхньої вторинної переробки є належне сортування відходів за типом матеріалу. У багатьох країнах світу компанія **Hilti** приймає старі інструменти для їхньої утилізації. Щоб отримати додаткову інформацію, звертайтеся до сервісної служби компанії **Hilti** або до свого торгового консультанта.



- ▶ Не викидайте електроінструменти, електронні пристрої та акумуляторні батареї у баки для побутового сміття!

## 10 RoHS (директива КНП про обмеження використання небезпечних речовин)

Щоб переглянути таблицю з інформацією про небезпечні речовини, будь ласка, перейдіть за такими посиланнями:

- SF 6-A22: [qr.hilti.com/r9370541](http://qr.hilti.com/r9370541)
- SF 6H-A22: [qr.hilti.com/r9370482](http://qr.hilti.com/r9370482)

Посилання на таблицю з інформацією про речовини, включені до директиви RoHS, наведене наприкінці цього документа у вигляді QR-коду.

## 11 Гарантійні зобов'язання виробника

- ▶ З питань гарантії, будь ласка, звертайтеся до найближчого партнера компанії **Hilti**.

# Түпнұсқа пайдалану бойынша нұсқаулық

## 1 Құжаттама бойынша деректер

### 1.1 Бұл құжаттама туралы



#### Импорттауыш және өндірушінің өкілетті ұйымы

- (RU) Ресей Федерациясы  
"Хилти Дистрибьюшн ЛТД" АҚ, 141402, Мәскеу облысы, Химки қ., Ленинградская көш., ғим. 25
- (BY) Беларусь Республикасы  
222750, Минск облысы, Дзержинский ауданы, Р-1, 18-ші км, 2 (Слободка ауылының жанында), 1-34 бөлімі
- (KZ) Қазақстан Республикасы  
Қазақстан Республикасы, индекс 050011, Алматы қ., Пугачев көш., 4-үйі
- (KG) Қырғыз Республикасы  
"Т AND Т" ЖШҚ, 720021, Қырғызстан, Бішкек қ., Ибраимов көш., 29 А үйі
- (AM) Армения Республикасы  
Эйч-Кон ЖШҚ, Армения Республикасы, Ереван қ., Бабаян көш., 10/1 үйі

Өндірілген елі: жабдықтағы белгілеу тақтайшасын қараңыз.

Өндірілген күні: жабдықтағы белгілеу тақтайшасын қараңыз.

Тісті сертификатты мына мекенжай бойынша табуға болады: [www.hilti.ru](http://www.hilti.ru)

Сақтау, тасымалдау және пайдалану шарттарына пайдалану бойынша нұсқаулықта белгіленгеннен басқа арнайы талаптар қойылмайды.

Өнімнің қызмет ету мерзімі 5 жыл.

- Іске қосу алдында осы құжаттаманы оқып шығыңыз. Бұл қауіпсіз жұмыс пен ақаусыз басқару үшін алғышарт болып табылады.
- Осы құжаттамадағы және өнімдегі қауіпсіздік және ескерту нұсқауларын орындаңыз.
- Пайдалану бойынша нұсқаулықты әрдайым өнімде сақтаңыз және оны басқа тұлғаларға тек осы нұсқаулықпен бірге тапсырыңыз.



## 1.2 Шартты белгілердің анықтамасы

### 1.2.1 Ескерту

Ескертулер өнімді қолдану барысындағы қауіптер туралы ескертеді. Төмендегі сигналдық сөздер пайдаланылады:

#### ҚАУІПТІ

##### ҚАУІПТІ !

- ▶ Ауыр жарақаттарға әкелетін немесе өмірге қауіп төндіретін тікелей қауіпті жағдайдың жалпы белгіленуі.

#### ЕСКЕРТУ

##### ЕСКЕРТУ !

- ▶ Ауыр жарақаттарға әкелуі немесе өмірге қауіп төндіруі мүмкін ықтимал қауіпті жағдайдың жалпы белгіленуі.

#### АБАЙЛАҢЫЗ

##### АБАЙЛАҢЫЗ !

- ▶ Жарақат алуға немесе мүлктің зақымдалуына әкелуі мүмкін ықтимал қауіпті жағдайдың жалпы белгіленуі.

### 1.2.2 Пайдалану бойынша нұсқаулықтағы белгілер

Бұл пайдалану бойынша нұсқаулықта төмендегі белгілер пайдаланылады:

	Пайдалану бойынша нұсқаулықты ұстану
	Аспапты пайдалану бойынша нұсқаулар және басқа пайдалы ақпарат
	Қайта пайдалануға болатын материалдармен жұмыс істеу
	Электр аспаптарды және аккумуляторларды тұрмыстық қоқысқа тастамаңыз
	<b>Hilti</b> Li-Ion аккумуляторы
	<b>Hilti</b> зарядтағыш құрылғысы

### 1.2.3 Суреттердегі белгілер

Суреттерде төмендегі белгілер қолданылады:

	Бұл сандар осы пайдалану бойынша нұсқаулықтың басындағы тиісті суретке сәйкес келеді.
	Нөмірлеу суреттегі жұмыс қадамдарының реттілігін білдіреді және мәтіндегі жұмыс қадамдарынан өзгешеленуі мүмкін.
	Позиция нөмірлері <b>Шолу</b> суретінде қолданылады және <b>Өнімге шолу</b> мақаласындағы шартты белгілердің нөмірлеріне сілтейді.
	Аталмыш белгілер өнімді қолдану барысында айрықша назарыңызды аудартады.

## 1.3 Өнімге қатысты белгілер

### 1.3.1 Өнімдегі белгілер

Өнімде төмендегі белгілер пайдаланылуы мүмкін:

	Өнім iOS және Android платформаларымен үйлесімді сымсыз дерек тасымалдау мүмкіндігіне қолдау көрсетеді.
	Пайдаланылған <b>Hilti</b> литий-ион аккумуляторларының сериясы. <b>Қолдану мақсаты</b> бөліміндегі нұсқауларды орындаңыз.



Li-Ion	Литий-иондық аккумулятор
	Аккумуляторды еш жағдайда соқпа құрал ретінде пайдаланбаңыз.
	Аккумуляторды құлатып жібермеңіз. Соққы тиген немесе басқа жолмен зақымдалған аккумуляторды пайдаланбаңыз.
	Тұрақты ток
	Соққысыз бұрғылау
	Соққымен бұрғылау (соғатын бұрғылау)
	II қорғау класы (қос изоляция)
n <sub>0</sub>	Жүктемесіз номиналды айналу жиілігі
/min	Минут ішіндегі айналымдар

#### 1.4 Өнім туралы ақпарат

**HILTI** өнімдері кәсіби пайдаланушыларға арналған және оларды тек қана өкілетті, білікті қызметкерлер пайдалануы, күтім және техникалық қызмет көрсетуі тиіс. Қызметкерлер қауіпсіздік техникасы бойынша арнайы нұсқау алуы керек. Өнім мен оның қосалқы құралдарын басқа мақсатта қолдану немесе олардың оқытылмаған қызметкерлердің тарапынан пайдаланылуы қауіпті.

Түр сипаттамасы мен сериялық нөмір фирмалық тақтайшада берілген.

- Сериялық нөмірді төмендегі кестеге көшіріп қойыңыз. Өнім туралы мәліметтерді өкілдігімізге немесе қызмет көрсету бөлімімізге сұрау беру арқылы алуға болады.

##### Өнім туралы мәліметтер

Бұрауыш дрель	SF 6-A22   SF 6H-A22
Буын	02
Сериялық нөмір	

#### 1.5 Сәйкестілік декларациясы

Біз осы нұсқаулықта сипатталған өнімнің қолданыстағы директивалар мен нормативтерге сәйкес келетінін толық жауапкершілікпен жариялаймыз. Сәйкестілік декларациясының суреті осы құжаттаманың соңында орналасқан.

Техникалық құжаттама мына жерде сақталған:

Hilti Entwicklungsgesellschaft mbH | Zulassung Geräte | Hiltistraße 6 | 86916 Kaufering, DE

## 2 Қауіпсіздік

### 2.1 Электр құралдары үшін қауіпсіздік техникасы бойынша жалпы нұсқаулар

**⚠ ЕСКЕРТУ** Бұл электр құралына арналған барлық қауіпсіздік нұсқауларын, нұсқауларды, суреттерді және техникалық деректерді оқып шығыңыз. Төменде берілген нұсқауларды орындамау электр тогының соғуына, өртке әкелуі мүмкін және/немесе ауыр жарақаттарды тудыруы мүмкін.

**Қауіпсіздік техникасы бойынша барлық нұсқауларды және нұсқауларды келесі пайдаланушы үшін сақтаңыз.**

Қауіпсіздік нұсқауларында қолданылатын «электр құралы» термині электр желісінен (желілік кабельмен) және аккумулятордан (желілік кабельсіз) жұмыс істейтін электр құралын білдіреді.

#### Жұмыс орны

- **Жұмыс орнындағы тазалықты және тәртіпті қадағалаңыз.** Жұмыс орнындағы ретсіздік және нашар жарық сәтсіз жағдайларға әкелуі мүмкін.
- **Жанғыш сұйықтықтар, газдар немесе шаң бар жарылыс қаупі бар аймақта электр құралын қолданбаңыз.** Жұмыс кезінде электр құралдары ұшқындар шығады және ұшқындар шаңды немесе буларды тұтандыруы мүмкін.
- **Балалардың және бөгде адамдардың жұмыс істеп тұрған электр құралына жақындауына рұқсат етпеңіз.** Жұмысқа көңіл бөлмегенде, электр құралын бақылау жоғалуы мүмкін.



### Электр қауіпсіздігі

- ▶ **Электр құралдың байланыс ашасы электр желісінің розеткасына сай болуы керек. Айырдың конструкциясын өзгертпеңіз. Қорғауыш жерге қосуы бар электр құралдарымен бірге өтпелі айырларды қолданбаңыз.** Түпнұсқа айырлар және оларға сай розеткалар электр тогының соғу қаупін азайтады.
- ▶ **Жерге қосылған беттерге, мысалы, құбырларға, жылыту құралдарына, пештерге (плиталарға) және тоңазытқыштарға тікелей тиюді болдырмаңыз.** Жерге қосылған заттарға тигенде электр тогының соғуының үлкен қауіп туындайды.
- ▶ **Электр құралдарды жаңбырдан немесе ылғал әсерінен сақтаңыз.** Электр құралға су тиюі нәтижесінде электр тогының соғу қаупі артады.
- ▶ **Байланыс сымын басқа мақсатта қолданбаңыз, мысалы, электр құралды тасымалдау, оны іліп қою немесе электр желісінің розеткасынан айырды шығару үшін.** Байланыс сымын жылу, май, өткір жиектер немесе жылжымалы бөліктерден алшақ ұстаңыз. Байланыс сымының зақымдалуы немесе қабаттасуы нәтижесінде электр тогының соғу қаупі артады.
- ▶ **Егер жұмыстар ашық ауада орындалса, тек бөлмелерден тыс қолдануға рұқсат етілген ұзартқыш сымдарды пайдаланыңыз.** Бөлмелерден тыс қолдануға жарамды ұзартқыш сымды пайдалану электр тогының соғу қаупін азайтады.
- ▶ **Егер электр құралмен ылғалдылық жағдайларында жұмыс істеуді болдырмау мүмкін емес болса, шығып кететін токтан қорғау автоматын қолданыңыз.** Шығып кететін токтан қорғау автоматын қолдану электр тогының соғу қаупін азайтады.

### Адамдардың қауіпсіздігі

- ▶ **Ұқыпты болыңыз, әрекеттеріңізге көңіл бөліңіз және электр құралымен жұмыс істеуге дұрыс қараңыз.** Шаршаған кезде немесе есірткі, алкоголь не дәрі қабылдаған соң электр құралын қолданбаңыз. Электр құралын қолданған кездегі зейінсіздік ауыр жарақаттарға апарып соғуы мүмкін.
- ▶ **Жеке қорғану құралдарын пайдаланыңыз және әрқашан міндетті түрде қорғауыш көзілдірікті киіңіз.** Электр құралының түріне және пайдалану жағдайларына байланысты жеке қорғану құралдарын, мысалы, шаңнан қорғайтын респираторды, сырғымайтын аяқ киімді, қорғауыш шлемді, естуді қорғау құралдарын қолдану жарақаттану қаупін азайтады.
- ▶ **Электр құралының кездейсоқ қосылуын болдырмаңыз.** Электр қуатына қосу және/немесе аккумуляторды қою, көтеру немесе тасымалдау алдында электр құралы өшірілгеніне көз жеткізіңіз. Электр құралын тасымалдағанда саусақтар сөндіргіште болатын немесе қосылған электр құралы желіге қосылатын жағдайлар сәтсіз жағдайларға әкелуі мүмкін.
- ▶ **Электр құралын қосу алдында реттеуші құрылғыларды және гайка кілтін алыңыз.** Электр құралының айналатын бөлігіндегі аспап немесе кілт жарақаттарға әкелуі мүмкін.
- ▶ **Жұмыс кезінде ыңғайсыз қалыптарға тұрмауға тырысыңыз.** Үнемі тұрақты күйді және тепе-теңдікті сақтаңыз. Бұл күтпеген жағдайларда электр құралын жақсырақ басқаруға мүмкіндік береді.
- ▶ **Арнайы киімді киіңіз. Өте бос киімді немесе әшекейлерді кимеңіз. Шашты, киімді және қолғапты электр құралының айналатын түйіндерінен сақтаңыз.** Бос киім, әшекейлер және ұзын шаш оларға ілінуі мүмкін.
- ▶ **Егер шанды жинау және кетіруге арналған құрылғыларды қосу қарастырылған болса, олар қосылғанына және мақсаты бойынша қолданылып жатқанына көз жеткізіңіз.** Шанды кетіру модулін пайдалану шаңның зиянды әсерін азайтады.
- ▶ **Өз мойныңызға қате қауіпсіздік сезімін алмаңыз және электр құралына арналған қауіпсіздік ережелерін бұзбаңыз, тіпті электр құралын жиі қолданатын тәжірибелі пайдаланушы болсаңыз.** Мұқиятсыз қолдану бірнеше секундта ауыр жарақаттануға апарып соғуы мүмкін.

### Электр құралын қолдану және оған қызмет көрсету

- ▶ **Аспапқа шамадан тыс жүктеме түсуін болдырмаңыз.** Нақ осы жұмысқа арналған электр құралын қолданыңыз. Бұл ережені сақтау көрсетілген қуат диапазонында жоғарырақ жұмыс сапасын және қауіпсіздігін қамтамасыз етеді.
- ▶ **Сөндіргіші бұзылған электр құралын қолданбаңыз.** Қосу немесе өшіру қиын электр құралы қауіпті және оны жөндеу керек.
- ▶ **Электр құралын реттеуге, саймандарды ауыстыруға кірісу алдында немесе жұмыстағы үзіліс алдында розеткадан ашаны және/немесе электр құралынан алмалы-салмалы аккумуляторды шығарыңыз.** Бұл сақтық шарасы электр құралының кездейсоқ қосылуын болдырмайды.
- ▶ **Қолданылмайтын электр құралдарын балалар жетпейтін жерде сақтаңыз.** Аспаппен тынас емес немесе осы нұсқауларды оқып шықпаған адамдарға аспапты пайдалануға рұқсат бермеңіз. Электр құралдары тәжірибесі жоқ пайдаланушылардың қолында қауіпті болады.



- ▶ **Электр құралдары мен керек-жарақтарға ұқыпты қараңыз.** Айналмалы бөліктердің мүлтіксіз қызмет ететінін, олардың жүрісінің жеңілдігін, барлық бөліктердің тұтастығын және электр құралының жұмысына теріс әсер етуі мүмкін зақымдардың жоқтығын тексеріңіз. Аспаптың зақымдалған бөліктерін оны қолдану алдында жөндеуге өткізіңіз. Электр құралына техникалық қызмет көрсету ережелерін сақтамау көп сәтсіз жағдайлардың себебі болып табылады.
- ▶ **Кескіш аспаптардың үшкір және таза болуын қадағалау керек.** Жұмыс күйінде сақталатын кескіш аспаптардың сыналануы сиректеу болады, оларды басқару жеңілдеу.
- ▶ **Электр құралын, саймандарды, көмекші құрылғыларды және т.б. нұсқауларға сай пайдаланыңыз.** Бұл кезде жұмыс жағдайларын және орындалатын жұмыстың сипатын ескеріңіз. Электр құралдарын басқа мақсаттарда қолдану қауіпті жағдайларға әкелуі мүмкін.
- ▶ **Тұтқыштар мен тұтқыш беттерін таза, құрғақ, май іздеріңіз ұстаңыз.** Сырғанақ тұтқыштар мен олардың беттері белгілі бір жағдайларда электр құралының қауіпсіз қолданылуы мен басқарылуына жол бермейді.

#### **Аккумуляторлық аспапты пайдалану және оған қарау**

- ▶ **Аккумуляторды тек өндіруші ұсынған зарядтағыш құрылғылардың көмегімен зарядтаңыз.** Зарядтағыш құрылғыны тиісті емес аккумулятор түрлерін зарядтау және қолданғанда өрт туындауы мүмкін.
- ▶ **Аспаппен жұмыс істеу үшін тек тиісті аккумуляторларды қолданыңыз.** Басқа аккумуляторларды пайдалану жарақаттарға әкелуі және өрт тудыруы мүмкін.
- ▶ **Пайдаланылмайтын аккумуляторларды контакттардың тұйықталуының себебі болуы мүмкін скрепкалардан, тиындардан, кілттерден, инелерден, винттерден және басқа металл заттардан ары сақтаңыз.** Аккумулятор контактарының тұйықталуы күйіктерге немесе тұтануға әкелуі мүмкін.
- ▶ **Аккумулятормен тиісті емес түрде жұмыс істегенде одан электролит ағып шығуы мүмкін. Оған тиюді болдырмаңыз.** Кездейсоқ тигенде сумен шайыңыз. Электролит көзге тигенде дәрігер көмегіне жүгініңіз. Аккумулятордан ағып шыққан электролит тері тітіркенуін немесе күйіктерді тудыруы мүмкін.
- ▶ **Зақымдалған не пішіні өзгертілген аккумуляторларды қолданбаңыз.** Зақымдалған не пішіні өзгертілген аккумуляторларды болжауға болмайды және олар өрт, жарылыс не жарақаттану қаупін тудырады.
- ▶ **Аккумуляторды өрт не жоғары температуралы аймақтардан алшақ ұстаңыз.** Өрт немесе 130 °C (265 °F) жоғары температуралар жарылыс тудыруы мүмкін.
- ▶ **Зарядтау үшін барлық нұсқауларды орындаңыз және аккумулятор не аккумуляторлық құралды ешқашан пайдалану бойынша нұсқаулықта берілген температура ауқымдарынан тыс зарядтамаңыз.** Қате зарядтау немесе рұқсатты температура ауқымдарынан тыс зарядтау аккумуляторды бұзуы және өрт қаупін арттыруы мүмкін.

#### **Қызмет**

- ▶ **Электр құралын жөндеуді тек түпнұсқа қосалқы бөлшектерді қолданатын білікті қызметкерлерге сеніп тапсырыңыз.** Бұл электр құралын қауіпсіз күйде сақтауды қамтамасыз етеді.
- ▶ **Зақымдалған аккумуляторларға ешқашан қызмет көрсетпеңіз.** Аккумулятордың толық күтімін тек өндіруші немесе өкілетті қызмет көрсету орталықтары орындауы тиіс.

## **2.2 Дрельдермен жұмыс істегендегі қауіпсіздік техникасы бойынша нұсқаулар**

### **Барлық жұмыстарға арналған қауіпсіздік техникасы бойынша нұсқаулар**

- ▶ **Соққымен бұрғылау кезінде қорғауыш құлаққапты киіңіз.** Шү әсерінің нәтижесінде есту қабілеті жоғалуы мүмкін.
- ▶ **Қосымша тұтқышты пайдаланыңыз.** Аспапты бақылауды жоғалту жарақаттарға әкелуі мүмкін.
- ▶ **Жұмыс құралы немесе бұрандалар жасырын электр сымдарына тиіп кетуі мүмкін болатын жұмыстарды жүзеге асыру кезінде электр құралын оқшауланған беттерінен ұстаңыз.** Электр сымдарына тигенде аспаптың қорғалмаған металл бөліктері кернеу астында болады. Бұл электр тогының соғуына әкелуі мүмкін.

### **Ұзын бұрғы пайдаланылған кездегі қауіпсіздік техникасы бойынша нұсқаулар**

- ▶ **Бұрғы үшін рұқсат етілген максималды айналу жиілігінен жоғары айналу жиілігімен еш жағдайда жұмыс істемеңіз.** Айналу жиілігі жоғары болған жағдайда бұрғы дайындамамен жанаспай еркін айналғаннан сәл қисайып кетуі және жарақаттануға апарып соғуы мүмкін.
- ▶ **Бұрғылау әрекетін әрдайым төмен айналу жиілігімен және бұрғы дайындамамен жанасып тұрғанда ғана бастаңыз.** Айналу жиілігі жоғары болған жағдайда бұрғы дайындамамен жанаспай еркін айналғаннан сәл қисайып кетуі және жарақаттануға апарып соғуы мүмкін.



- ▶ **Шамадан артық қысым қолданбаңыз және тек қана бойлық бағытпен бұрғылаңыз.** Бұрғылар қисайып жарылуы мүмкін немесе бақылау мүмкіндігінен айырылып, жарақат алуыңыз мүмкін.

### **Араластырығыш себеттер мен араластырығыш қалақшаларды пайдалану кезіндегі қауіпсіздік техникасы бойынша нұсқаулар**

- ▶ **Араластырығыш себет араластырылатын материалға қойылғанда ғана электр құралын қосыңыз немесе өшіріңіз.** Кері жағдайда бақылау мүмкіндігінен айырылып, жарақат алу қаупі туындауы мүмкін.

## **2.3 Қауіпсіздік техникасы бойынша қосымша нұсқаулар, гайка бұрауыш**

### **Адамдардың қауіпсіздігі**

- ▶ Өнімді және керек-жарақтарды тек техникалық мінсіз күйінде қолданыңыз.
- ▶ Өнімде немесе керек-жарақтарда ешқандай манипуляциялар не өзгерістер орындамаңыз.
- ▶ Өнім жинағына кіретін қосымша тұтқыштарды қолданыңыз. Бақылау мүмкіндігінен айырылу жарақат алуға әкелуі мүмкін.
- ▶ Өнімді әрқашан екі қолмен тұтқыштарынан берік ұстаңыз. Тұтқышты құрғақ әрі таза күйінде ұстаңыз.
- ▶ Аспаптың айналатын бөлшектеріне тиіменіз - жарақат алу қаупі бар!
- ▶ Өнімді қолданған кезде арнайы қорғауыш көзілдірік, қорғауыш шлем, құлаққап пен жеңіл респиратор киіп жүріңіз.
- ▶ Құралды алмастырған кезде қорғауыш қолғап киіңіз. Алмалы-салмалы аспапқа тию кесіктерге және күйіктерге апарып соғуы мүмкін.
- ▶ Қорғауыш көзілдіріктерді пайдаланыңыз. Материалдың сынықтары денені және көзді жарақаттауы мүмкін.
- ▶ Ажарлау, егеуқұм қағазымен тазалау, кесу және бұрғылау кезінде пайда болатын шаңның құрамында қауіпті химиялық заттар болуы мүмкін. Мысалдары келесідей: қорғасын немесе қорғасын негізіндегі бояулар; плитка, бетон және басқа кірпіш қалау өнімдері, табиғи тас және басқа силикаттық өнімдер; емен, шамшат және химиялық затпен өңделген сүрек сияқты белгілі бір сүрек түрлері; асбест немесе құрамында асбест бар материалдар. Пайдаланушы мен оның айналасындағы адамдарға әсер ету дәрежесін өңдеу орындалатын материалдардың қауіп класы бойынша анықтаңыз. Әсерді қауіпсіз деңгейде сақтау үшін шаң жинайтын жүйелерді пайдалану немесе арнайы тыныс алу органдарының қорғанысын киіп жүру сияқты қажетті шараларды қолданыңыз. Әсер ету дәрежесін азайту бойынша жалпы шараларға төмендегілер жатады:
  - ▶ Жақсы желдетілген аймақта жұмыс істеу,
  - ▶ Шаңның ұзақ уақыт бойы тиюіне жол бермеу,
  - ▶ Шаңды көз бен денеден алыстату,
  - ▶ Қорғаныс киімін киіп жүру және етілген жерлерді сумен және сабынмен жуу.
- ▶ Саусақтың қан айналымын жақсарту үшін жиі үзіліс жасап, жаттығу жасаңыз. Ұзақ уақыт жұмыс істеген кезде, қатты дірілдердің салдарынан саусақ, қол не буындардың қантамыры не жүйкесіне теріс әсер тиюі мүмкін.

### **Электр қауіпсіздігі**

- ▶ Жұмысты бастамас бұрын жұмыс аймағында жасырын сымдардың, газ бен су құбырларының бар-жоғын тексеріп шығыңыз. Қуыт сымына, газ немесе су құбырына зақым келтірген жағдайда, өнімнің сыртындағы металл бөліктер ток соғуға немесе жарылысқа әкелуі мүмкін.

### **Электр құралмен дұрыс жұмыс істеу және оны дұрыс пайдалану**

- ▶ Алмалы-салмалы аспап блокталған жағдайда, өнімді бірден өшіріңіз. Өнім бүйірімен ауытқуы мүмкін.
- ▶ Өнімді алып тастау алдында оның толығымен тоқтатылған күйге орнатылғанына дейін күтіңіз.

## **2.4 Аккумулятормен дұрыс жұмыс істеу және оны дұрыс пайдалану**

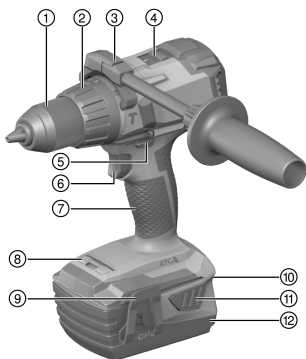
- ▶ Li-Ion аккумуляторын тасымалдау, сақтау және пайдалану бойынша арнайы нұсқаулардың талаптарын орындаңыз.
- ▶ Аккумуляторларды жоғары температуралар, тікелей күн сәулесі мен өрттен алшақ ұстаңыз.
- ▶ Аккумуляторларды бөлшектеуге, қысуға, 80°C (176°F) жоғары температураға дейін қыздыруға және жағуға тыйым салынады.
- ▶ Соққы тиген, бір метрден жоғары биіктіктен құлаған немесе басқа жолмен зақымдалған аккумуляторларды пайдалануға немесе зарядтауға болмайды. Мұндай жағдайда әрдайым **Hilti сервистік қызметіңізге** хабарласыңыз.
- ▶ Егер тиген кезде аккумулятор тым ыстық болса, ол ақаулы болуы мүмкін. Аккумуляторды тұтанғыш материалдардан жеткілікті қашықтықта орналасқан, жақсы көрінетін, тұтанбайтын жерге қойыңыз.



Аккумуляторды суытыңыз. Аккумулятор бір сағаттан кейін әлі де қолға ыстық болып тұрса, бұл оның ақаулы екендігін білдіреді. **Hilti қызмет көрсету орталығына** хабарласыңыз.

### 3 Сипаттама

#### 3.1 Шолу



- ① Жылдам тартылатын патрон
- ② Айналу моменті мен жұмысқа арналған реттеу сақинасы
- ③ Бүйірлік тұтқа
- ④ Жылдамдық ауыстырып-қосқышы
- ⑤ Қосу құлпы бар солға/оңға айналудың ауыстырып-қосқышы
- ⑥ Реттелетін негізгі сөндіргіш (айналу жиілігі электрондық түрде басқарылатын)
- ⑦ Тұтқа
- ⑧ Жұмыс орнындағы жарықтандыру
- ⑨ Белдікке ілуге арналған ілгек (таңдау бойынша)
- ⑩ Зарядтау деңгейінің және ақаулықтардың индикаторы (Li-Ion аккумуляторы)
- ⑪ Аккумуляторды босату түймесі
- ⑫ Аккумулятор

#### 3.2 Мақсатына сай қолдану

Сипатталған өнім қолмен басқарылатын аккумуляторлық бұрауыш дрель болып табылады. Ол болат, ағаш пен пластикте, жеңіл бетон мен кірпіш қалауда бұрғылауға және бұрандаларды бұрап енгізу және шығаруға арналған.

- ▶ Бұл өнім үшін тек В 22 сериялы **Hilti** Li-Ion аккумуляторларын ғана пайдаланыңыз.
- ▶ Бұл аккумуляторлар үшін тек C4/36 сериялы **Hilti** зарядтағыш құрылғысын пайдаланыңыз.

#### 3.3 Жеткізілім жинағы

Бұрауыш дрель, бүйірлік тұтқа, пайдалану бойынша нұсқаулық.

Оған қоса, өніміңіз үшін рұқсат етілген жүйелік өнімді **Hilti Store** дүкенінде немесе келесі веб-сайтта табуға болады: [www.hilti.group](http://www.hilti.group) | АҚШ: [www.hilti.com](http://www.hilti.com)

#### 3.4 Литий-иондық аккумулятор зарядының индикаторы

Li-Ion аккумуляторының зарядтау күйі және аспаптағы ақаулықтар Li-Ion аккумуляторының индикаторында көрсетіледі. Li-Ion аккумуляторы зарядының индикаторы екі аккумуляторды босату түймесін басу арқылы көрсетіледі.

Құралдың бөлшектері	Сипаттамасы
4 жарық диоды жанады.	Зарядтау күйі: 75 % - 100 %
3 жарық диоды жанады.	Зарядтау күйі: 50 % - 75 %
2 жарық диоды жанады.	Зарядтау күйі: 25 % - 50 %
1 жарық диоды жанады.	Зарядтау күйі: 10 % - 25 %
1 жарық диоды жыпылықтайды.	Зарядтау күйі: < 10 %
1 жарық диоды жыпылықтайды, аспап жұмысқа дайын емес.	Аккумулятор қызып кетті немесе заряды толығымен бітті.
4 жарық диоды жыпылықтайды, аспап жұмысқа дайын емес.	Аспап қызып кетті немесе оған шамадан тыс жүктеме түсті.





**i** Негізгі сөндіргіш басылып тұрғанда және негізгі сөндіргішті жібергеннен 5 секундтан кейін зарядтау күйіне сұрау салу мүмкін болмайды.

Аккумулятор индикаторының жарық диодтары жыпылықтаған жағдайда «Ақаулықтардағы көмек» бөліміндегі нұсқауларға назар аударыңыз.

### 3.5 АТС

Өнім электрондық апаттық тоқтату құралымен АТС (Active Torque Control) жабдықталған. Егер алмалы-салмалы аспап бұғатталса немесе қысылып қалса, өнім кенеттен кері бағытпен бақылаусыз айнала бастайды. АТС өнімнің мұндай кенет айналу қозғалысын анықтап, өнімді бірден тоқтатады.

**i** Өнім қалыпты жұмыс істеуі үшін айналу мүмкіндігін сақтауы тиіс. Жылдам өшіру орындалған соң, өнімді өшіріп қайта қосыңыз.

### 3.6 Артық жүктеме және қызып кету индикаторы

Аспап шамадан тыс жүктемелерден және қызып кетуден электрондық қорғаныспен жабдықталған. Шамадан тыс жүктеме түскен немесе қызып кеткен жағдайда аспап автоматты түрде өшеді. Негізгі сөндіргішті жіберіп, қайтадан бассаңыз, қайтадан қосылу күту уақыты аяқталғаннан (аспаптың суу кезеңі) кейін орындала алады.

## 4 Техникалық сипаттамалар

	SF 6-A22	SF 6H-A22
Номиналды кернеу	21,6 В <sub>DC</sub>	21,6 В <sub>DC</sub>
ЕРТА Procedure 01 бойынша салмағы, В228.0 аккумуляторын қоса	3,1 кг	3,1 кг
Айналу жылдамдығы	1. Беріліс	0 А/мин ... 490 А/мин
	2. Беріліс	0 А/мин ... 2000 А/мин
Айналу моменті (жұмсақ бұрандалы қосылым жасау) $\frac{1}{2}$	≤ 65 Н·м	≤ 65 Н·м
Соққылар жиілігі	•/•	36000 А/мин
Жұмыс кезіндегі қоршаған орта температурасы	-17 °C ... 60 °C	-17 °C ... 60 °C
Сақтау температурасы	-20 °C ... 70 °C	-20 °C ... 70 °C

### 4.1 Аккумулятор

Аккумулятордың жұмыс кернеуі	21,6 В
Жұмыс кезіндегі қоршаған орта температурасы	-17 °C ... 60 °C
Сақтау температурасы	-20 °C ... 40 °C
Зарядтаудың басындағы аккумулятор температурасы	-10 °C ... 45 °C

### 4.2 Алмалы-салмалы аспаптар үшін рұқсат етілген диаметр

Ø жылдам тартылатын патронның қысылу диапазоны	1,5 мм ... 13 мм
Ø ағаш бұрғысы (қатты)	1,5 мм ... 20 мм
Ø ағаш бұрғысы (жұмсақ)	1,5 мм ... 32 мм
Ø металл бұрғысы	1,5 мм ... 13 мм
Ø бетон/кірпіш қабырғада бұрғылау (соққымен бұрғылау)	4 мм ... 12 мм



### 4.3 EN 62841 стандарты бойынша шуыл туралы ақпарат және діріл мәні

Осы нұсқауларда көрсетілген дыбыс қысымы мен діріл деңгейі стандартты өлшеу әдісімен өлшенген және оны басқа электр құралдарымен салыстыру үшін пайдалануға болады. Сонымен бірге, ол экспозицияны алдын ала бағалау үшін жарайды.

Берілген деректер электр құралының негізгі жұмысын көрсетеді. Алайда, егер электр құралы басқа мақсаттарда, басқа жұмыс аспаптарымен қолданылса немесе оған қанағаттандырмайтын техникалық қызмет көрсетілсе, деректер өзгеше болуы мүмкін. Осының салдарынан аспаптың бүкіл жұмыс істеу кезеңінде экспозиция айтарлықтай артуы мүмкін.

Экспозицияны дәл анықтау үшін аспап сәндірілген күйде немесе бос жұмыс істейтін уақыт аралықтарын да ескеру керек. Осының салдарынан аспаптың бүкіл жұмыс істеу кезеңінде экспозиция айтарлықтай азаюы мүмкін.

Пайдаланушыны пайда болатын шуылдан және/немесе дірілден қорғау үшін қосымша сақтық шараларын қолданыңыз, мысалы: электр аспабына және жұмыс аспаптарына техникалық қызмет көрсету, қолдардың жылуын сақтау, жұмыс процестерін дұрыс ұйымдастыру.

#### Шуылдың эмиссиялық көрсеткіші

	SF 6-A22	SF 6H-A22
Эмиссиялық дыбыс қысымының деңгейі ( $L_{pA}$ )	78 дБ(A)	91 дБ(A)
Дыбыс қысымының деңгейі бойынша дәлсіздік ( $K_{pA}$ )	3 дБ(A)	3 дБ(A)
Дыбыс күшінің деңгейі ( $L_{WA}$ )	89 дБ(A)	102 дБ(A)
Дыбыс күшінің деңгейі бойынша дәлсіздік ( $K_{WA}$ )	3 дБ(A)	3 дБ(A)

#### Дірілдің жалпы көрсеткіші

	SF 6-A22	SF 6H-A22
Металл бойынша бұрғылауға арналған дірілдің эмиссиялық көрсеткіші ( $a_{n,D}$ )	1,4 м/с <sup>2</sup>	2,8 м/с <sup>2</sup>
Металл бойынша бұрғылау дәлсіздігі (K)	1,5 м/с <sup>2</sup>	1,5 м/с <sup>2</sup>
Дірілдің эмиссиялық көрсеткіші, бұрандалар ( $a_n$ )	0,8 м/с <sup>2</sup>	1,1 м/с <sup>2</sup>
Дәлсіздік, бұрау (K)	1,5 м/с <sup>2</sup>	1,5 м/с <sup>2</sup>
Бетон бойынша соққымен бұрғылауға арналған дірілдің эмиссиялық көрсеткіші ( $a_{n,10}$ )	*/*	15,4 м/с <sup>2</sup>
Бетон бойынша соққымен бұрғылаудың дәлсіздігі (K)	*/*	1,5 м/с <sup>2</sup>

## 5 Қызмет көрсету

### 5.1 Аккумуляторды орнату

#### ЕСКЕРТУ

**Жарақат алу қаупі қысқа тұйықталудан немесе аккумулятордың құлауынан!**

- ▶ Аккумуляторды орнату алдында аккумулятор контактілерінде және өнімдегі контактілерде бөгде заттардың жоқтығына көз жеткізіңіз.
- ▶ Аккумулятордың еркез дұрыс орнатылғанына көз жеткізіңіз.

1. Аккумуляторды алғаш рет іске қоспас бұрын зарядтаңыз.
2. Аккумуляторды өнімге шерту дыбысымен тірелгенше кіргізіңіз.
3. Аккумулятордың аспапқа берік бекітілгенін тексеріңіз.

### 5.2 Аккумуляторды шығару

1. Аккумулятордың босату түймелерін басыңыз.
2. Аккумуляторды аспаптан шығарыңыз.



### 5.3 Аккумуляторды зарядтау

1. Зарядтау алдында зарядтағыш құрылғының пайдалану бойынша нұсқаулығын оқып шығыңыз.
2. Аккумулятордағы және зарядтағыш құрылғыдағы контактілердің таза әрі құрғақ екендігіне көз жеткізіңіз.
3. Аккумуляторды рұқсат етілген зарядтағыш құрылғы ішінде зарядтаңыз. → Бет 58

### 5.4 Бүйірлік тұтқаны орнату 2

#### АБАЙЛАҢЫЗ

**Жарақат алу қаупі бар!** Перфоратор басқарудың жоғалуы.

- ▶ Бүйірлік тұтқа дұрыс орнатылғанын және берік бекітілгенін тексеріңіз. Қысқыштар арнайы ойықтарға тиісінше енгізілгеніне көз жеткізіңіз.
1. Оңға/солға айналу ауыстырып-қосқышын ортаңғы күйіне орнатыңыз.
  2. Бүйірлік тұтқаның қысқыштарын босату үшін тұтқаны бұраңыз.
  3. Бүйірлік тұтқаның ұстағышын корпусқа толықтай енгізіңіз және қысқыштарды арнайы ойықтарға кіргізіңіз.
  4. Бүйірлік тұтқаның ұстағышын керу үшін тұтқаны бұраңыз.

### 5.5 Белдікке ілуге арналған ілгекті орнату (қосымша) 3

#### ЕСКЕРТУ

**Жарақат алу қаупі.** Аспаптың құлауы сіз және басқа тұлғалар үшін қауіпті жағдайлар тудыруы мүмкін.

- ▶ Жұмысты бастау алдында белдік ілгегі берік бекітілгенін тексеріңіз.

Ілгек аспапты белдікке ілуге мүмкіндік береді. Белдікке ілуге арналған ілгекті оң және сол жақтан ұстау үшін орнатуға болады.

1. Аккумуляторды аспаптан шығарыңыз. → Бет 60
2. Белдікке ілуге арналған ілгекті өнімнің тірегіндегі арнайы саңылауға кіргізіңіз.
3. Белдікке ілуге арналған ілгекті екі бұрандамен бекітіңіз.
4. Аккумуляторды орнатыңыз. → Бет 60

### 5.6 Hilti бит ұстағышын орнату (қосымша) 4

1. Аккумуляторды аспаптан шығарыңыз. → Бет 60
2. Сол немесе оң жақ бит ұстағышын өнімнің тірегіндегі арнайы саңылауға кіргізіңіз.
3. Бит ұстағышын екі бұрандамен бекітіңіз.
4. Аккумуляторды орнатыңыз. → Бет 60

### 5.7 Hilti құлаудан қорғанысын орнату (қосымша) 5

#### НАЗАР АУДАРЫҢЫЗ

**Өнімнің және/немесе фалиннің зақымдалуы.** Қате қолдану нәтижесінде өнім және/немесе фалин зақымдалуы мүмкін.

- ▶ Металл шынжырларды фалин ретінде қолданбаңыз. Ұзындығы 2,0 m (6 ft) шамасынан артық фалиндерді қолданбаңыз.

Залалға жол бермеу үшін, биік жерде жұмыс істеген кезде **Hilti** құлаудан қорғанысын пайдаланған жөн.

Құлаудан қорғаныс ұстағыш арқандарды/ұстағыш таспаларды бекітуге мүмкіндік береді.

Биік жерде жұмыс істеу бойынша ұлттық директиваларды өніммен жұмыс істеген кезде міндетті түрде ұстаныңыз.

1. Аккумуляторды аспаптан шығарыңыз. → Бет 60
2. Құлаудан қорғаныстың екі ысырмасын құрылғы тірегінің екі жағындағы ойықтарға кіргізіңіз.
3. Құлаудан қорғанысты тиісті бұрандалармен бекітіңіз.



4. Аккумуляторды орнатыңыз. → Бет 60

## 5.8 Берілісті таңдау

- ▶ Берілісті таңдаңыз.

## 5.9 Айналу бағытын орнату



Бұғаттау электр қозғалтқышы жұмыс істеп тұрғанда бағытты ауыстырудан қорғайды. Ауыстырып-қосқыш ортаңғы күйде болғанда, негізгі сөндіргіш бұғатталған болады (қосуды құлыптау).

- ▶ Оңға/солға айналу ауыстырып-қосқышын оң не сол жақ айналуға орнатыңыз.

## 5.10 Алмалы-салмалы аспапты орнату/алып тастау

1. Оңға/солға айналу ауыстырып-қосқышын ортаңғы күйге орнатыңыз немесе аккумуляторды аспаптан ажыратыңыз.
2. Жылдам тартылатын патронды ашыңыз.
3. Алмалы-салмалы аспапты құрал бекіткішіне кіргізіңіз немесе одан шығарыңыз.
4. Жылдам тартылатын патронды бұрап бекітіңіз.
5. Алмалы-салмалы аспаптың берік бекітілгенін тексеріңіз.

## 5.11 Бұрғылау

### АБАЙЛАҢЫЗ

**Жарақат алу қаупі.** Алмалы-салмалы аспап кенет бұғатталып, аспаптың бүйірге ауытқып қалуына өкелуі мүмкін.

- ▶ Аспапты міндетті түрде тұтқасымен пайдаланыңыз және аспапты екі қолмен берік ұстаңыз.
- ▶ Бүйірлік тұтқаны әрқашан сыртынан ұстаңыз.

### АБАЙЛАҢЫЗ

**Жарақат алу қаупі.** Астыңғы беттен материал бөлектенуі мүмкін.

- ▶ Қорғауыш көзілдіріктерді пайдаланыңыз.

- ▶ Айналу моменті мен жұмысқа арналған реттеу сақинасын «Бұрғылау» белгісіне орнатыңыз.

## 5.12 Соққымен бұрғылау

SF 6H-A22

- ▶ Реттеу сақинасын «Соққымен бұрғылау» функциясына орнатыңыз.

## 5.13 Бұрап бекіту

- ▶ Айналу моменті мен функцияны реттеу сақинасында қажетті айналу моментін орнатыңыз.

## 5.14 Қосу

- ▶ Бұғаттаудан шығару түймесін басыңыз.
  - ▶ Айналу жиілігін минималды деңгейден максималды деңгейге дейін сатысыз таңдауға болады.

## 5.15 Өшіру

- ▶ Негізгі сөндіргішті жіберіңіз.



## 6 Күтім және техникалық қызмет көрсету

### ЕСКЕРТУ

**Аккумулятор енгізілген кезде жарақат алу қаупі бар !**

- ▶ Күтім және техникалық қызмет көрсету бойынша кез келген жұмыстарды орындамас бұрын әрдайым аккумуляторды шығарыңыз!

### Өнімге қызмет көрсету

- Қатты жабысып қалған кірді абайлап кетіріңіз.
- Бар болса, желдету саңылауларын құрғақ, жұмсақ қылшақпен жақсылап тазалаңыз.
- Корпусты сәл суланған шүберекпен ғана тазалаңыз. Ешқандай силикон қамтитын күтім құралдарын пайдаланбаңыз, себебі олар пластик бөліктерге зақым келтіре алады.
- Өнімнің контактілерін тазалау үшін таза, құрғақ шүберекті пайдаланыңыз.

### Литий-иондық аккумуляторға қызмет көрсету

- Еш жағдайда желдету саңылаулары бітелген аккумуляторды қолданбаңыз. Желдету саңылауларын құрғақ, жұмсақ қылшақпен жақсылап тазалаңыз.
- Аккумуляторға шаңның немесе кірдің қажетсіз тиюіне жол бермеңіз. Аккумуляторға қатты ылғалдың тиюіне ешқашан жол бермеңіз (мысалы, суға батыру немесе жаңбыр астына қою арқылы). Аккумулятор су болса, оны зақымдалған аккумулятор ретінде қарастырыңыз. Оны тұтанбайтын контейнерге оқшаулап, **Hilti** қызмет көрсету орталығына хабарласыңыз.
- Аккумуляторды бөгде май мен майлағыштан таза ұстаңыз. Аккумуляторда шаң не кірдің қажетсіз жиналуына жол бермеңіз. Аккумуляторды құрғақ, жұмсақ қылшақпен немесе таза, құрғақ шүберекпен тазалаңыз. Ешқандай силикон қамтитын күтім құралдарын пайдаланбаңыз, себебі олар пластик бөліктерге зақым келтіре алады. Аккумулятордың контактілеріне тиіменіз және зауыттан тыс қолданылған майды контактілерден кетіріңіз.
- Корпусты сәл суланған шүберекпен ғана тазалаңыз. Ешқандай силикон қамтитын күтім құралдарын пайдаланбаңыз, себебі олар пластик бөліктерге зақым келтіре алады.

### Техникалық қызмет көрсету

- Көзге көрінетін барлық бөлшектерде зақымдардың бар-жоғын және басқару элементтерінің ақаусыз жұмысын жиі тексеріп тұрыңыз.
- Өнім зақымдалған және/немесе ақаулы болған жағдайда, оны пайдаланушы болмаңыз. Өнімді міндетті түрде **Hilti** қызмет көрсету орталығында жөндеңіз.
- Күтім және техникалық қызмет көрсету жұмыстарынан кейін барлық қорғауш құрылғыларды орнатып, олардың ақаусыз жұмыс істегенін тексеріңіз.



Қауіпсіз қолдану үшін тек түпнұсқа қосалқы бөлшектер мен жұмсалатын материалдарды қолданыңыз. **Hilti** мақұлдаған қосалқы бөлшектер, шығын материалдары мен өнімге арналған керек-жарақтар **Hilti Store** дүкенінде немесе келесі веб-сайтта қолжетімді: [www.hilti.group](http://www.hilti.group)

## 7 Аккумуляторлық құралдар мен аккумуляторларды тасымалдау және сақтау

### Тасымалдау

### АБАЙЛАҢЫЗ

**Тасымалдау кезіндегі кенет іске қосылу !**

- ▶ Өніміңізді әрдайым аккумуляторын шығарып алып тасымалдаңыз!
- ▶ Аккумулятор(лар)ды шығарыңыз.
- ▶ Аккумуляторларды ешқашан үймеде тасымалдамаңыз. Тасымалдау барысында аккумуляторларды шамадан артық соққы мен дірілден қорғау және олардың басқа батарея полюстерімен жанасуына және қысқа тұйықталудың туындауына жол бермеу үшін кез келген ток өткізгіш материалдардан немесе басқа аккумуляторлардан оқшаулау керек. **Аккумуляторларға арналған жергілікті тасымалдау ережелерін сақтаңыз.**
- ▶ Аккумуляторларды поштамен жіберуге болмайды. Зақымдалмаған аккумуляторларды жіберу қажет болғанда, жеткізуші кәсіпорындарға хабарласыңыз.
- ▶ Өнім мен аккумуляторларды әр пайдаланбас бұрын және ұзақ уақыт бойы тасымалдағаннан кейін зақымдардың бар-жоғын тексеріп шығыңыз.



**Бүлінген немесе заряды таусылған аккумуляторлардан күтілмеген зақымдалу!**

- ▶ Өніміңізді әрдайым аккумуляторын шығарып алып сақтаңыз!

---

- ▶ Өнім мен аккумуляторларды салқын және құрғақ жерде сақтаңыз. Техникалық деректерде көрсетілген температураның шектік мәндерін ескеріңіз.
- ▶ Аккумуляторларды зарядтағыш құрылғыда сақтамаңыз. Аккумуляторды зарядтағаннан кейін әрдайым зарядтағыш құрылғыдан шығарыңыз.
- ▶ Аккумуляторларды еш жағдайда күн мен жылу көздерінің астында немесе шыны өйнек артында сақтамаңыз.
- ▶ Өнім мен аккумуляторларды балалар мен рұқсаты жоқ адамдардың қолы жетпейтін жерде сақтаңыз.
- ▶ Өнім мен аккумуляторларды әр пайдаланбас бұрын және ұзақ уақыт бойы сақтағаннан кейін зақымдардың бар-жоғын тексеріп шығыңыз.

## 8 Ақаулықтардағы көмек

Бұл кестеде келтірілмеген немесе өзіңіз түзете алмайтын ақаулықтар орын алғанда, **Hilti** қызмет көрсету орталығына хабарласыңыз.

### 8.1 Ақаулықтардағы көмек

Ақаулық	Ықтимал себеп	Шешім
Бұрауыш дрель жұмыс істемейді.	Аккумулятор дұрыс салынбаған.	▶ Аккумуляторды орнатыңыз. → Бет 60
	Аккумулятор заряды бос.	▶ Аккумуляторды алмастырып, бос аккумуляторды зарядтаңыз.
Барлық 4 жарық диоды жыпылықтайды. Бұрауыш дрель жұмыс істемейді.	Бұрауыш дрельге қысқа мерзімді артық жүктеме түсті.	▶ Негізгі сөндіргішті босатып, қайта басыңыз.
	Қызып кетуден қорғаныс	▶ Бұрауыш дрельді салқындатып, желдету саңылауын тазалаңыз.
1 жарық диоды жыпықтайды. Бұрауыш дрель жұмыс істемейді.	Аккумулятор заряды бос.	▶ Аккумуляторды алмастырып, бос аккумуляторды зарядтаңыз.
	Аккумулятор тым суық.	▶ Аккумуляторды ұсынылған жұмыс температурасына дейін жеткізіңіз.
	Аккумулятор тым ыстық.	▶ Аккумуляторды ұсынылған жұмыс температурасына дейін жеткізіңіз.
SF 6H-A22 Соққымен бұрғылау мүмкін емес.	Реттеу сақинасындағы функция дұрыс орнатылмаған.	▶ Реттеу сақинасын  «Соққымен бұрғылау» функциясына орнатыңыз.
Негізгі сөндіргіш басылмайды немесе бұғатталған.	Оңға/солға айналу ауыстырып-қосқышы ортаңғы күйде (тасымалдау күйінде).	▶ Оңға/солға айналу ауыстырып-қосқышын оңға немесе солға айналу бағытына орнатыңыз. → Бет 62
Бұрауыш дрельде немесе аккумуляторда қатты жылу пайда болды.	Электрлік ақаулық	▶ Бұрауыш дрельді бірден өшіріңіз, аккумуляторды шығарыңыз және <b>Hilti</b> қызмет көрсету орталығына хабарласыңыз.
	Бұрауыш дрельге артық жүктеме түсті (қолдану шегінен асты).	▶ Қолдану жағдайын тексеріңіз.



## 9 Кәдеге жарату

### ЕСКЕРТУ

**Қате жолмен кәдеге жаратудан жарақат алу қаупі бар!** Газдардың немесе сұйықтықтардың шығуынан денсаулыққа зиян келтіру қаупі бар.

- ▶ Зақымдалған аккумуляторларды жіберуге немесе жөнелтуге болмайды!
- ▶ Қысқа тұйықталуға жол бермеу үшін, қосылымдарды ток өткізбейтін материалмен жауып қойыңыз.
- ▶ Аккумуляторларды балалардың қолына жетпейтіндей етіп кәдеге жаратыңыз.
- ▶ Аккумуляторды **Hilti Store** дүкенінде кәдеге жаратыңыз немесе жергілікті кәдеге жарату кәсіпорнына хабарласыңыз.

**Hilti** өнімдері қайта өңдеу үшін жарамды көптеген материалдардың санынан тұрады. Кәдеге жарату алдында материалдарды мұқият сұрыптау керек. Көптеген елдерде **Hilti** компаниясы ескі аспаптарды кәдеге жарату үшін қабылдайды. **Hilti** қызмет көрсету орталығынан немесе дилерден сұраңыз.



- ▶ Электр құралдарды, электрондық құрылғылар мен аккумуляторларды тұрмыстық қоқыспен бірге тастамаңыз!

## 10 RoHS (зиянды заттектердің пайдаланылуын шектеу директивасы)

Төмендегі сілтемелер бойынша зиянды заттектердің кестесі берілген:

- SF 6-A22: [qr.hilti.com/r9370541](https://qr.hilti.com/r9370541)
- SF 6H-A22: [qr.hilti.com/r9370482](https://qr.hilti.com/r9370482)

RoHS кестесінің сілтемесі осы құжаттаманың соңында QR коды ретінде берілген.

## 11 Өндіруші кепілдігі

- ▶ Кепілдік шарттары туралы сұрақтарыңыз болса, жергілікті **Hilti** серіктесіне жолығыңыз.

# Оригинално Ръководство за експлоатация

## 1 Дәлелдер за документацията

### 1.1 Қым настоящата документация

- Преди въвеждане в експлоатация прочетете настоящата документация. Това е предпоставка за безопасна работа и безаварийна употреба.
- Съблюдавайте указанията за безопасност и предупреждение в настоящата документация и върху продукта.
- Съхранявайте Ръководството за експлоатация винаги заедно с продукта и предавайте продукта на други лица само заедно с настоящото ръководство.

### 1.2 Условни обозначения

#### 1.2.1 Предупредителни указания

Предупредителните указания предупреждават за опасност в зоната около продукта. Използват се следните сигнални думи:

### ОПАСНОСТ

#### ОПАСНОСТ !

- ▶ Отнася се за непосредствена опасност от заплаха, която води до тежки телесни наранявания или смърт.



**⚠ ПРЕДУПРЕЖДЕНИЕ**

**ПРЕДУПРЕЖДЕНИЕ !**

- ▶ Отнася се за възможна опасност от заплаха, която може да доведе до тежки телесни наранявания или смърт.

**⚠ ПРЕДПАЗЛИВОСТ**

**ВНИМАНИЕ !**

- ▶ Отнася се за възможна опасна ситуация, която може да доведе до телесни наранявания или материални щети.

**1.2.2 Символи в Ръководството за експлоатация**

В настоящото Ръководство за експлоатация се използват следните символи:

	Да се съблюдава Ръководството за експлоатация
	Препоръки при употреба и друга полезна информация
	Боравене с рециклируеми материали
	Не изхвърляйте електроуреди и акумулатори в битовите отпадъци
	<b>Hilti</b> Литиево-йонен акумулатор
	<b>Hilti</b> Зарядно устройство

**1.2.3 Символи във фигурите**

Във фигурите се използват следните символи:

	Тези числа препращат към съответната фигура в началото на настоящото Ръководство за експлоатация.
	Номерацията възпроизвежда последователното изпълнение на работните стъпки в изображението и може да се различава от работните стъпки в текста.
	Позиционните номера се използват във фигурата <b>Преглед</b> и препращат към номерата на легендата в Раздел <b>Преглед на продукта</b> .
	Този знак трябва да привлече Вашето специално внимание при работа с продукта.

**1.3 Символи в зависимост от продукта**

**1.3.1 Символи върху продукта**

Върху продукта може да се използват следните символи:

	Продуктът поддържа безжичен пренос на данни, който е съвместим с iOS- и Android платформи.
	Използвани типове <b>Hilti</b> литиево-йонни акумулатори. Съблюдавайте указанията в Раздел <b>Употреба по предназначение</b> .
	Литиево-йонен акумулатор
	Никога не използвайте акумулатора като ударен механизъм.
	Не оставяйте акумулатора да падне. Не използвайте акумулатор, който е бил ударен или е повреден по друг начин.
	Постоянен ток
	Безударно пробиване





	Ударно пробиване (пробиване с удар)
	Клас на защита II (двойна изолация)
$n_0$	Обороти на празен ход при измерване
/min	Обороти в минута

#### 1.4 Информация за продукта

**HILTI** Продуктите са предназначени за професионални потребители и могат да бъдат обслужвани, поддържани в изправност и ремонтирани само от оторизиран компетентен персонал. Този персонал трябва да бъде специално инструктиран за възможните опасности. Продуктът и неговите приспособления могат да бъдат опасни, ако бъдат експлоатирани неправомерно от неквалифициран персонал или ако бъдат използвани не по предназначение.

Обозначението на типа и серийният номер са отбелязани върху типовата табелка.

- ▶ Пренесете серийния номер в представената по-долу таблица. Вие се нуждаете от данните за продукта, когато се обръщате с въпроси към нашето представителство или сервизен отдел.

##### Данни за продукта

Пробивен винтоверт	SF 6-A22   SF 6H-A22
Поколение	02
Сериен №	

#### 1.5 Декларация за съответствие

Ние декларираме на собствена отговорност, че описаният тук продукт отговаря на действащите директиви и стандарти. Копие на Декларацията за съответствие ще намерите в края на настоящата документация.

Тук се съхранява Техническата документация:

Hilti Entwicklungsgesellschaft mbH | Zulassung Geräte | Hiltistraße 6 | 86916 Kaufering, DE

## 2 Безопасност

### 2.1 Общи указания за безопасност при електроинструменти

**⚠ ПРЕДУПРЕЖДЕНИЕ** Прочетете всички указания за безопасност, инструкции, илюстрации и технически характеристики, с които е снабден този електроинструмент. Пропуски при спазване на приведените по-долу инструкции могат да предизвикат електрически удар, пожар и/или тежки наранявания.

**Съхранявайте всички указания за безопасност и инструкции за бъдещи справки.**

Използването в указанията за безопасност понятие "електроинструмент" се отнася до захранвани от електрическата мрежа електроинструменти (със захранващ кабел) или до захранвани от акумулатор електроинструменти (без захранващ кабел).

#### Безопасност на работното място

- ▶ **Поддържайте работното си място чисто и добре осветено.** Безпорядъкът или недостатъчното осветление в работната зона може да доведат до злополуки.
- ▶ **Не работете с електроинструмента във взривоопасна среда, където има горими течности, газове или прах.** В електроинструментите се отделят искри, които могат да възпламенят праховے или изпарения.
- ▶ **Дръжте деца и странични лица на безопасно разстояние, докато работите с електроинструмента.** Ако вниманието Ви бъде отклонено, може да загубите контрол върху уреда.

#### Безопасност при работа с електроинструменти

- ▶ **Съединителният щепсел на електроинструмента трябва да бъде подходящ за контакта.** В никакъв случай не се допуска изменение на конструкцията на щепсела. Ако работите със заземени електроинструменти, не използвайте адаптери за щепсела. Използването на оригинални щепсели и подходящи контакти намалява риска от електрически удар.
- ▶ **Избягвайте допира на тялото Ви до заземени повърхности като тръби, отоплителни уреди, печки и хладилници.** Рискът от възникване на електрически удар се увеличава, ако тялото Ви е заземено.



- ▶ **Предпазвайте електроинструментите от дъжд или влага.** Проникването на вода в електроинструмента повишава опасността от възникване на електрически удар.
- ▶ **Не използвайте съединителния проводник за цели, за които не е предназначен, напр. за носене на електроинструмента, за окачване или за изваждане на щепсела от контакта.** Предпазвайте съединителния проводник от нагряване, масла, остри ръбове или движещи се части. Повредени или усукани съединителни проводници увеличават риска от електрически удар.
- ▶ **Ако работите с електроинструмент на открито, използвайте само удължителни кабели, които са подходящи и за работа навън.** Използването на удължителен кабел, предназначен за работа на открито, намалява риска от електрически удар.
- ▶ **Ако не можете да избегнете работа с електроинструмента във влажна среда, използвайте ключ с вградена дефектнотокова защита.** Използването на ключ с вградена дефектнотокова защита намалява риска от електрически удар.

#### **Безопасен начин на работа**

- ▶ **Бъдете концентрирани, следете внимателно действията си и постъпвайте разумно при работа с електроинструменти.** Не използвайте електроинструмент, ако сте уморени или се намирате под въздействие на наркотици, алкохол или медикаменти. Само един момент на невнимание при използването на електроинструмента може да доведе до сериозни наранявания.
- ▶ **Носете лични предпазни средства и работете винаги със защитни очила.** Носенето на лични предпазни средства, като прахозащитна маска, обезопасени обувки със стабилен грайфер, защитна каска или антифони, според вида и употребата на електроинструмента, намалява риска от наранявания.
- ▶ **Избягвайте неволно включване на електроинструмента.** Уверете се, че електроинструментът е изключен, преди да го свържете към електрозахранването и/или акумулатора, преди да го вземате или пренасяте. Ако при носене на електроинструмента държите пръста си върху пусковия прекъсвач или ако свържете включения уред към електрозахранването, съществува опасност от злополука.
- ▶ **Преди да включите електроинструмента, се уверете, че сте отстранили от него всички инструменти за настройка или гаечни ключове.** Инструмент или ключ, който се намира на въртящо се звено, може да доведе до наранявания.
- ▶ **Избягвайте неудобните положения на тялото. Работете при стабилно положение на тялото и пазете равновесие във всеки един момент.** Така ще можете да контролирате електроинструмента по-добре, ако възникнат неочаквани ситуации.
- ▶ **Работете с подходящо облекло.** Не работете с широки и дълги дрехи или украшения. Дръжте косата си, дрехите си и ръкавиците си на безопасно разстояние от въртящите се части. Свободните дрехи, украшенията или дългите коси могат да бъдат захванати и увлечени от въртящи се части.
- ▶ **Ако е възможно монтирайте на съоръжения за събиране и изсмукване на прах, се уверете, че те са включени и се използват правилно.** Използването на прахоуловител може да намали породените от прахове опасности.
- ▶ **Не се поддавайте на измамното усещане за сигурност и не пренебрегвайте правилата за безопасност за електроинструменти дори и след като много добре сте опознали електроинструмента и сте го използвали многократно.** Нехайното действие може да доведе за части от секундата до тежки наранявания.

#### **Използване и обслужване на електроинструмента**

- ▶ **Не претоварвайте уреда.** Използвайте електроинструмента само съобразно неговото предназначение. Ще работите по-добре и по-безопасно, ако използвате подходящия електроинструмент в посочения диапазон на мощност.
- ▶ **Не използвайте електроинструмент, чийто прекъсвач е повреден.** Електроинструмент, който не може повече да бъде включван или изключван, е опасен и трябва да бъде ремонтиран.
- ▶ **Издадете щепсела от контакта и/или отстранете разглобяемия акумулатор, преди да предприемете действия по настройките на уреда, смяната на принадлежности или прибирането на уреда.** Тази предпазна мярка предотвратява опасността от задействане на електроинструмента по невнимание.
- ▶ **Съхранявайте неизползвани в момента електроинструменти далеч от достъпа на деца.** Не допускате използването на уреда от лица, които не са запознати с него или не са прочели настоящите инструкции. В ръцете на неопитни потребители електроинструментите могат да бъдат опасни.
- ▶ **Отнасяйте се грижливо към електроинструменти и принадлежности.** Проверявайте дали подвижните елементи функционират безупречно и не заклинват, дали има счупени или повредени части, които нарушават функциите на електроинструмента. Преди да използвате



уреда, дайте повредените части за ремонт. Много злополуки се дължат на лошо поддържани електроинструменти.

- ▶ **Поддържайте режещите инструменти винаги добре заточени и чисти.** Добре поддържаните режещи инструменти с остри ръбове заклинват по-рядко и се водят по-лесно.
- ▶ **Използвайте електроинструменти, принадлежности, сменяеми инструменти и т.н. съгласно настоящите инструкции.** Съобразявайте се и с конкретните работни условия и с дейностите, които трябва да бъдат извършвани. Употребата на електроинструменти за цели, различни от предвидените от производителя, може да доведе до опасни ситуации.
- ▶ **Поддържайте ръкохватките и повърхностите за хващане сухи, чисти и незамазани от масла и смазки.** Хлъзгави ръкохватки и повърхности за хващане не позволяват безопасно обслужване и контрол на електроинструмента в непредвидени ситуации.

#### **Използване и обслужване на акумулаторния инструмент**

- ▶ **Зареждайте акумулаторите само с препоръчани от производителя зарядни устройства.** При зарядно устройство, подходящо за определен вид акумулатори, съществува опасност от пожар, ако то се използва с други акумулатори.
- ▶ **Използвайте в електроинструментите само предвидените за съответния модел акумулатори.** Употребата на други акумулатори може да доведе до наранявания и опасност от пожар.
- ▶ **Съхранявайте неизползваните акумулатори далече от кламери, монети, ключове, пирони, винтове или други дребни метални предмети, тъй като те могат да предизвикат късо съединение в контактите.** При късо съединение в контактите на акумулатора може да се получат изгаряния или да възникне пожар.
- ▶ **Ако акумулаторът се използва неправилно, от него може да излезе течност.** Избягвайте контакт с тази течност. При случаен контакт изплакнете мястото обилно с вода. Ако течността попадне в очите, потърсете допълнително лекарска помощ. Излизащата от акумулатора течност може да причини кожни раздразнения или изгаряния.
- ▶ **Не използвайте повреден или модифициран акумулатор.** Повредените или модифицирани акумулатори могат да имат непредвидимо поведение и да предизвикат огън, експлозия или да породят опасност от наранявания.
- ▶ **Не подлагайте акумулатора на въздействието на огън или твърде високи температури.** Огън или температури над 130 °C (265 °F) могат да предизвикат експлозия.
- ▶ **Следвайте всички инструкции относно зареждането и никога не зареждайте акумулатора или акумулаторния инструмент извън посочения в Ръководството за експлоатация температурен обхват.** Неправилното зареждане или зареждането извън допустимия температурен обхват може да разруши акумулатора и да повиши опасността от възникване на пожар.

#### **Сервизиране**

- ▶ **Ремонтът на електроинструмента трябва да се извършва само от квалифицирани специалисти и само с оригинални резервни части.** По този начин се гарантира безопасността на съхранението на уреда.
- ▶ **Никога не обслужвайте повредени акумулатори.** Цялостната поддръжка на акумулаторите следва да се извършва само от производителя или от оторизирани центрове за обслужване на клиенти.

## **2.2 Указания за безопасна работа с бормашини**

### **Указания за безопасност за всички дейности**

- ▶ **Носете антифони по време на ударното пробиване.** Въздействието на шума може да доведе до загуба на слуха.
- ▶ **Използвайте допълнителната ръкохватка.** Загубата на контрол може да доведе до наранявания.
- ▶ **Дръжте електроинструмента за изолираните повърхности за хващане, ако извършвате дейности, при които сменяемият инструмент или винтовете може да попаднат на скрита токопроводимост.** Контактът с тоководещи проводници може да постави под напрежение също и метални части на уреда и да доведе до възникване на електрически удар.

### **Указания за безопасност при използване на дълги свредла**

- ▶ **В никакъв случай не работете с по-високи обороти от определените за свредлото максимално допустими обороти.** При по-високи обороти свредлото може леко да се огъне, когато може да се върти свободно без контакт с детайла, и да причини наранявания.
- ▶ **Започвайте процеса на пробиване винаги с малък брой обороти и когато свредлото е в контакт с детайла.** При по-високи обороти свредлото може леко да се огъне, когато може да се върти свободно без контакт с детайла, и да причини наранявания.



- ▶ **Не прилагайте прекомерен натиск и пробивайте само в надлъжна посока.** Свредлата могат да се огънат и затова да се счупят или да причинят загуба на контрол и наранявания.

#### **Указания за безопасност при използване на разбъркващи глави и бъркалки**

- ▶ **Включвайте и изключвайте електроинструмента само ако разбъркващата глава се намира в материала, който ще се смесва.** В противен случай може да се стигне до загуба на контрол и поради това до опасност от нараняване.

### **2.3 Допълнителни указания за безопасност за винтоверт**

#### **Безопасен начин на работа**

- ▶ Използвайте продукта и принадлежностите само в технически изправно състояние.
- ▶ Никога не извършвайте манипулации или промени по продукта или принадлежностите.
- ▶ Използвайте доставените заедно с продукта допълнителни ръкохватки. Загубата на контрол може да доведе до наранявания.
- ▶ Винаги дръжте продукта здраво с две ръце за предвидените за целта ръкохватки. Поддържайте ракохватките сухи и чисти.
- ▶ Избягвайте допира до въртящи се части - опасност от нараняване!
- ▶ При експлоатация на продукта носете подходящи защитни очила, защитна каска, антифони и лека маска за дихателна защита.
- ▶ При смяната на инструменти носете защитни ръкавици. Допирът до сменяемия инструмент може да доведе до порезни рани и изгаряния.
- ▶ Използвайте защита за очите. Отломките от материала могат да наранят тялото и очите.
- ▶ При шлайфане, обработване с шкурка, рязане и пробиване се образува прах, който може да съдържа опасни химикали. Някои примери са: олово или боя, базирана на олово; тухли, бетон и други продукти за зидария, естествен камък и други силикатосъдържащи продукти; определени дървета, като дъб, бук и химически обработена дървесина; азбест или азбестосъдържащи материали. Определете експозицията на оператора и страничните наблюдатели според класа на опасност на материалите, върху които се работи. Вземете необходимите мерки, за да поддържате експозицията на безопасно ниво, като напр. използване на система за събиране на прах или носене на подходяща дихателна защита. Общите мерки за намаляване на експозицията включват:
  - ▶ Работете в добре проветриво помещение,
  - ▶ Избягвайте продължителен контакт с прах,
  - ▶ Почиствайте праха от лицето и тялото,
  - ▶ Носете защитно облекло и измивайте откритите места с вода и със сапун.
- ▶ Правете често работни паузи и упражнения за подобряване на кръвообращението в пръстите Ви. При продължителна работа вибрациите могат да предизвикат нарушения на кръвоносните съдове или нервната система в областта на пръстите, ръцете или китките.

#### **Безопасност при работа с електроинструменти**

- ▶ Преди началото на работния процес проверете работната зона за скрити електрически проводници, газо- и водопроводи. Външните метални части на продукта могат да предизвикат електрически удар или експлозия, ако сте повредили електрически кабел, газо- или водопроводна тръба.

#### **Грижливо боравене и употреба на електроинструменти**

- ▶ Изключете продукта незабавно, ако сменяемият инструмент блокира. Продуктът може да се отклони настрана.
- ▶ Преди да оставите продукта, изчакайте, докато продуктът спре напълно работа.

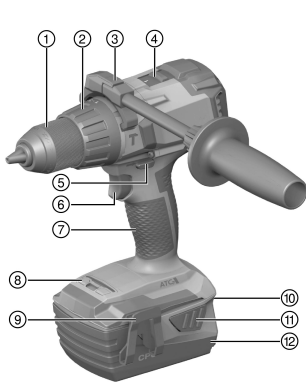
### **2.4 Грижливо отношение към акумулатори и внимателно боравене с тях**

- ▶ Спазвайте специалните нормативни изисквания за транспорт, съхранение и експлоатация на литиево-йонни акумулатори.
- ▶ Дръжте акумулаторите далече от високи температури, пряка слънчева светлина и огън.
- ▶ Акумулаторите не трябва да се разглобяват, смачкват, да се нагряват над 80°C (176°F) или да се изгарят.
- ▶ Не използвайте или не зареждайте акумулатори, които са били ударени, паднали са от височина повече от един метър или са били повредени по друг начин. В този случай винаги се свързвайте с Вашия **Hilti сервис**.
- ▶ Ако акумулаторът е много горещ на пипане, той може да има дефект. Поставете акумулатора на видимо, незапалимо място с достатъчно разстояние до запалими материали. Оставете акумулатора да се охлади. Ако след един час акумулаторът е все още твърде горещ на допир, той е неизправен. Свържете се с **Hilti сервис**.



### 3 Описание

#### 3.1 Преглед



- ① Бързозатягащ патронник
- ② Регулиращ пръстен за въртящ момент и функция
- ③ Странична ръкохватка
- ④ Превключвател на предавки
- ⑤ Превключвател за дясно/ляво въртене с блокировка срещу включване
- ⑥ Ключ за управление (с електронен регулатор на оборотите)
- ⑦ Ръкохватка
- ⑧ Осветление на работната среда
- ⑨ Кука за колан (опционално)
- ⑩ Индикатор за състояние на зареждане и грешка (литиево-йонен акумулатор)
- ⑪ Бутон за деблокиране на акумулатор
- ⑫ Акумулатор

#### 3.2 Употреба по предназначение

Описаният продукт представлява акумулаторен пробивен винтоверт с ръчно задвижване. Той е предназначен за пробиване в стомана, дърво и пластмаси, лек бетон и зидария, както и за завиване и отвиване на винтове.

- ▶ За този продукт използвайте само литиево-йонните акумулатори на **Hilti** от тип B 22.
- ▶ За тези акумулатори използвайте само зарядните устройства на **Hilti** от серия C4/36.

#### 3.3 Обем на доставката

пробивен винтоверт, странична ръкохватка, Ръководство за експлоатация.

Други системни продукти, разрешени за Вашия продукт, ще намерите във Вашия **Hilti Store** или онлайн на: [www.hilti.group](http://www.hilti.group) | CALL: [www.hilti.com](http://www.hilti.com)

#### 3.4 Индикатор на литиево-йонния акумулатор

Състоянието на зареждане на литиево-йонния акумулатор и смущенията в уреда се сигнализират чрез индикатора на литиево-йонния акумулатор. Състоянието на зареждане на литиево-йонния акумулатор се индикира след натискане на един от двата бутона за освобождаване на акумулатора.

Състояние	Значение
4 светодиода светят.	Състояние на зареждане: 75 % до 100 %
3 светодиода светят.	Състояние на зареждане: 50 % до 75 %
2 светодиода светят.	Състояние на зареждане: 25 % до 50 %
1 светодиод свети.	Състояние на зареждане: 10 % до 25 %
1 светодиод мига.	Състояние на зареждане: < 10 %
1 светодиод мига, уредът не е в готовност за работа.	Акумулаторът е прегрял или е напълно разреден.
4 светодиода мигат, уредът не е в готовност за работа.	Уредът е претоварен или е прегрял.

При задействан команден ключ и до 5 секунди след освобождаване на командния ключ прочитането на данните за състоянието на зареждане става невъзможно.

При мигащи светодиоди на индикатора на акумулатора, моля, съблюдавайте указанията в Раздел Помощ при наличие на смущения.



### 3.5 АТС

Продуктът е оборудван с електронно аварийно изключване АТС (Active Torque Control).

Ако сменяемият инструмент блокира или се заклези, продуктът внезапно започва неконтролируемо да се върти в противоположна посока. АТС разпознава това внезапно въртящо движение на продукта и незабавно изключва продукта.



Продуктът трябва да може да се върти, за да функционира изправно.

След успешно аварийно изключване изключете продукта и отново го включете.

### 3.6 Индикация за претоварване и прегряване

Уредът е оборудван с електронна защита от претоварване и защита от прегряване. При претоварване или прегряване уредът се изключва автоматично. Ако ключът за управление се освободи и се натисне отново, може да се получи забавяне при включване (фази на охлаждане на уреда).

## 4 Технически данни

		SF 6-A22	SF 6H-A22
Номинално напрежение		21,6 V <sub>DC</sub>	21,6 V <sub>DC</sub>
Тегло съгласно EPTA Procedure 01 включително акумулатор B22&.0		3,1 кг	3,1 кг
Обороти	1-ва скорост	0 об/мин ... 490 об/мин	0 об/мин ... 490 об/мин
	2-ра скорост	0 об/мин ... 2 000 об/мин	0 об/мин ... 2 000 об/мин
Въртящ момент (меко уплътнение за резбово съединение) $\frac{1}{2}$		≤ 65 Н·м	≤ 65 Н·м
Брой удари		*/•	36 000 об/мин
Температура на околната среда при работа		-17 °C ... 60 °C	-17 °C ... 60 °C
Температура на съхранение		-20 °C ... 70 °C	-20 °C ... 70 °C

### 4.1 Акумулатор

Работно напрежение на акумулатора	21,6 В
Температура на околната среда при работа	-17 °C ... 60 °C
Температура на съхранение	-20 °C ... 40 °C
Температура на акумулатора в началото на зареждането	-10 °C ... 45 °C

### 4.2 Допустим диаметър за сменяеми инструменти

Ø Диапазон на затягане бързозатягащ патронник	1,5 мм ... 13 мм
Ø Свредло за дърво (твърдо)	1,5 мм ... 20 мм
Ø Свредло за дърво (меко)	1,5 мм ... 32 мм
Ø Свредло за метал	1,5 мм ... 13 мм
Ø Пробиване в бетон/зидария (ударно пробиване)	4 мм ... 12 мм

### 4.3 Информация за шума и стойности на вибрациите съгласно EN 62841

Посочените в настоящите инструкции стойности на звуковото налягане и на вибрациите са били измерени в съответствие със стандартизиран метод на измерване и могат да бъдат използвани при сравняването на електроинструменти помежду им. Те са подходящи и за предварителна оценка на натоварването от трептения.

Посочените данни представят основните приложения на електроинструмента. Ако обаче електроинструментът се използва за други приложения, с различни сменяеми инструменти или при недостатъчна поддръжка, в данните може да се появят отклонения. Това може значително да повиши натоварването от трептения през целия период на експлоатация.



За точна преценка на натоварването от трептения трябва да се вземат предвид и периодите, в които уредът е изключен или работи, но не е в реална експлоатация. Това може значително да намали натоварването от трептения през целия период на експлоатация.

Определете допълнителни мерки за безопасност с цел защита на работещия срещу въздействието на звука и/или вибрациите, като например: поддръжка на електроинструмент и сменяеми инструменти, поддръжане на топли ръце, организация на работните процеси.

#### Стойности на шумовите емисии

	SF 6-A22	SF 6H-A22
Емисионно ниво на звуково налягане ( $L_{pA}$ )	78 дБ(A)	91 дБ(A)
Отклонение при ниво на звуково налягане ( $K_{pA}$ )	3 дБ(A)	3 дБ(A)
Ниво на звукова мощност ( $L_{WA}$ )	89 дБ(A)	102 дБ(A)
Отклонение при ниво на звукова мощност ( $K_{WA}$ )	3 дБ(A)	3 дБ(A)

#### Общи стойности на вибрациите

	SF 6-A22	SF 6H-A22
Емисионна стойност на вибрациите при пробиване в метал ( $a_{h,D}$ )	1,4 м/с <sup>2</sup>	2,8 м/с <sup>2</sup>
Отклонение при пробиване в метал (K)	1,5 м/с <sup>2</sup>	1,5 м/с <sup>2</sup>
Емисионна стойност на вибрациите при завинтване ( $a_h$ )	0,8 м/с <sup>2</sup>	1,1 м/с <sup>2</sup>
Отклонение при завинтване (K)	1,5 м/с <sup>2</sup>	1,5 м/с <sup>2</sup>
Емисионна стойност на вибрациите при ударно пробиване в бетон ( $a_{h,D}$ )	*/*	15,4 м/с <sup>2</sup>
Отклонение при ударно пробиване в бетон (K)	*/*	1,5 м/с <sup>2</sup>

## 5 Експлоатация

### 5.1 Поставяне на акумулатор

#### ПРЕДУПРЕЖДЕНИЕ

**Опасност от нараняване поради късо съединение или падащ акумулатор!**

- ▶ Преди поставянето на акумулатора се уверете, че контактите на акумулатора и контактите на продукта са почистени от замърсявания.
- ▶ Уверете се, че акумулаторът се застопорява винаги правилно.

1. Преди първото пускане в експлоатация зареждайте акумулатора докрай.
2. Плъзнете акумулатора в продукта, докато се застопори с ясно щракване.
3. Контролирайте стабилното положение на акумулатора.

### 5.2 Отстраняване на акумулатор

1. Натиснете бутоните за деблокиране на акумулатора.
2. Извадете акумулатора от уреда.

### 5.3 Зареждане на акумулатор

1. Преди зареждането прочетете Ръководството за експлоатация на зарядното устройство.
2. Уверете се, че контактите на акумулатора и на зарядното устройство са чисти и сухи.
3. Заредете акумулатора в одобрено зарядно устройство. → страница 71

### 5.4 Монтаж на странична ръкохватка 2

#### ПРЕДПАЗЛИВОСТ

**Опасност от нараняване!** Загуба на контрол върху ударно-пробивната машина.

- ▶ Уверете се, че страничната ръкохватка е монтирана правилно и е закрепена надлежно. Уверете се, че скобите са посавени надлежно в предвидените за целта слотове.

1. Поставете превключвателя за дясно/ляво въртене в средно положение.



2. Завъртете държката, за да освободите скобите на страничната ръкохватка.
3. Поставете държача на страничната ръкохватка изцяло върху корпуса и плъзнете скобите в предвидените за целта слотове.
4. Завъртете държката, за да затегнете държача на страничната ръкохватка.

### 5.5 Монтаж на кука за колан (опционално) 3



#### ПРЕДУПРЕЖДЕНИЕ

**Опасност от нараняване.** Падналият уред може да изложи на опасност Вас и други лица.

- Преди да започнете работа, проверете дали куката за колан е здраво закрепена.



С куката за колан можете да закрепите уреда за колана по продължение на тялото. Куката за колан може да бъде монтирана за носене от дясната или лявата страна.

1. Отстранете акумулатора. → страница 73
2. Плъзнете куката за колан в предвидения за целта отвор на крачето на продукта.
3. Затегнете куката за колан с двата винта.
4. Поставете акумулатора. → страница 73

### 5.6 Hilti Монтаж на държач за накрайници (опционално) 4

1. Отстранете акумулатора. → страница 73
2. Поставете държача за накрайници в посока надясно или наляво в предвидения за целта отвор на крачето на продукта.
3. Закрепете държача за накрайници с двата винта.
4. Поставете акумулатора. → страница 73

### 5.7 Hilti Монтиране на защитата срещу падане (опционално) 5



#### ВНИМАНИЕ

**Повреда на продукта и/или на въжето за привързване.** Поради неправилно боравене може да се стигне до повреда на продукта и/или на въжето за привързване.

- Не използвайте метални вериги като въже за привързване. Не използвайте въжета за привързване с дължина повече от 2,0 m (6 ft).



За да избегнете повреда, препоръчваме да използвате защитата срещу падане на **Hilti**, когато работите в повдигнато положение.

Защитата срещу падане позволява закрепване на поддържащи въжета/поддържащи ленти.

Трябва да се съблюдават местните директиви за дейности в повдигнато положение по време на работа с продукта.

1. Отстранете акумулатора. → страница 73
2. Вкарайте двете пластинки на защитата срещу падане в прорезите, разположени от двете страни на крачето на уреда.
3. Закрепете защитата срещу падане с предвидените за целта винтове.
4. Поставете акумулатора. → страница 73

### 5.8 Избор на скорост 6

- Изберете скоростта.

### 5.9 Настройка за дясно/ляво въртене 7



Заклучващ механизъм предотвратява превключването при работещ двигател.

В средно положение ключът за управление е блокиран (блокировка срещу включване).

- Поставете превключвателя за дясно/ляво въртене в положение дясно или ляво въртене.





### 5.10 Поставяне/изваждане на сменяем инструмент

1. Поставете превключвателя за дясно/ляво въртене в средно положение или извадете акумулатора от уреда.
2. Отворете бързозатягащия патронник.
3. Поставете сменяемия инструмент в патронника или го извадете.
4. Завъртете докрай бързозатягащия патронник.
5. Проверете надеждното закрепване на сменяемия инструмент.

### 5.11 Пробиване

#### ПРЕДПАЗЛИВОСТ

**Опасност от нараняване.** Сменяемият инструмент може да блокира внезапно и това да доведе до отклонение на уреда встрани.

- ▶ Използвайте уреда със страничната ръкохватка и винаги го дръжте здраво с две ръце.
- ▶ Винаги хващайте страничната ръкохватка отвън.

#### ПРЕДПАЗЛИВОСТ

**Опасност от нараняване.** От основата може да се отчупи материал.

- ▶ Използвайте защита за очите.
- ▶ Поставете регулиращия пръстен за въртящ момент и функция върху символа "Пробиване" .

### 5.12 Ударно пробиване

SF 6H-A22

- ▶ Поставете регулиращия пръстен на функция "Ударно пробиване" .

### 5.13 Завинтване

- ▶ С регулиращия пръстен за въртящ момент и функция настройте необходимия въртящ момент.

### 5.14 Включване

- ▶ Натиснете ключа за управление.
  - ▶ Оборотите са безстепенно избираеми от минимални до максимални обороти.

### 5.15 Изключване

- ▶ Освободете ключа за управление.

## 6 Обслужване и поддръжка

#### ПРЕДУПРЕЖДЕНИЕ

**Опасност от нараняване при поставен акумулатор !**

- ▶ Винаги изваждайте акумулатора преди всяка дейност по обслужване и поддръжка!

#### Грижи за продукта

- Отстранете внимателно упоритите замърсявания.
- Ако има вентилационни отвори, почистете същите внимателно със суха, мека четка.
- Почистете корпуса само с леко навлажнена кърпа. Не използвайте почистващи препарати, съдържащи силикон, тъй като те могат да увредят пластмасовите части.
- Използвайте чиста, суха кърпа за почистване, за да избършете контактите на продукта.

#### Грижи за литиево-йонни акумулатори

- Никога не използвайте акумулатор със запушени вентилационни отвори. Почиствайте вентилационните отвори внимателно със суха, мека четка.



- Избягвайте ненужното излагане на акумулатора на прах или замърсявания. Никога не излагайте акумулатора на висока влажност (напр. потопен във вода или оставен под дъжда). Ако акумулаторът е бил напоен с вода, третирайте го като повреден акумулатор. Изолирайте го в незапалим контейнер и се обърнете към сервиз на **Hilti**.
- Поддържайте акумулатора почистен от масла и смазки. Не позволявайте по акумулатора да се натрупват ненужно прах или замърсявания. Избърсвайте акумулатора със суха, мека четка или с чиста, суха кърпа за почистване. Не използвайте почистващи препарати, съдържащи силикон, тъй като те могат да увредят пластмасовите части. Не се допирайте до контактите на акумулатора и не отстранявайте фабрично нанесената грес от контактите.
- Почиствайте корпуса само с леко навлажнена кърпа. Не използвайте почистващи препарати, съдържащи силикон, тъй като те могат да увредят пластмасовите части.

#### Поддръжка

- Проверявайте редовно всички видими части за наличие на повреди, а елементите за управление - за изправно функциониране.
- Не работете с продукта при наличие на повреди и/или смущения във функциите. Предайте продукта незабавно в сервиз на **Hilti** за ремонт.
- След извършване на дейности по обслужване и поддръжка монтирайте всички защитни устройства и проверете за изправното им функциониране.



За безопасна работа използвайте само оригинални резервни части и консумативи. Разрешените от **Hilti** резервни части, консумативи и принадлежности за Вашия продукт ще намерите във Вашия **Hilti Store** или на: [www.hilti.group](http://www.hilti.group)

## 7 Транспортиране и съхранение на акумулаторни инструменти и акумулатори

### Транспорт

#### ПРЕДПАЗЛИВОСТ

#### Неволно включване при транспортиране !

- ▶ Винаги транспортирайте Вашите продукти без поставени акумулатори!
- ▶ Извадете акумулатора/ите.
- ▶ Никога не транспортирайте акумулаторите в насипно състояние. При транспортиране акумулаторите трябва да бъдат защитени от прекомерни удари и вибрации и изолирани от всякакви проводящи материали или други акумулатори, за да не се осъществи контакт с други полюси на батерии и да се избегне късо съединение. **Спазвайте местните транспортни наредби за акумулатори.**
- ▶ Акумулаторите не трябва да се изпращат по пощата. Свържете се със следителска фирма, ако искате да изпращате повредени акумулатори.
- ▶ Преди всяка употреба проверявайте продукта и акумулаторите за наличие на повреди, също преди и след продължително транспортиране.

### Съхранение

#### ПРЕДУПРЕЖДЕНИЕ

#### Неволна повреда, дължаща се на дефектни или изтичащи акумулатори !

- ▶ Винаги съхранявайте Вашите продукти без поставени акумулатори!
- ▶ Съхранявайте продукта и акумулаторите на хладно и сухо място. Съблюдавайте температурните гранични стойности, посочени в техническата спецификация.
- ▶ Не съхранявайте акумулатори в зарядното устройство. След зареждане винаги изваждайте акумулатора от зарядното устройство.
- ▶ Никога на съхранявайте акумулатори на слънце, върху източници на топлина или зад стъкло.
- ▶ Съхранявайте продукта и акумулаторите извън досега на деца и неоторизирани лица.
- ▶ Преди всяка употреба проверявайте продукта и акумулаторите за наличие на повреди, също преди и след продължително съхранение.

## 8 Помощ при наличие на смущения

При наличие на смущения, които не са посочени в таблицата или които Вие сами не можете да отстраните, моля, обърнете се към нашия сервиз на **Hilti**.



## 8.1 Помощ при наличие на смущения

Смущение	Възможна причина	Решение
Пробивният винтоверт не функционира.	Акумулаторът е поставен неправилно.	► Поставете акумулатора. → страница 73
	Акумулаторът е разреден.	► Сменете акумулатора и заредете изтощения акумулатор.
Всички 4 светодиода мигат. Пробивният винтоверт не функционира.	Ударният винтоверт е претоварен за кратко време.	► Освободете ключа за управление и отново го задействайте.
	Защита срещу прегряване	► Оставете пробивния винтоверт да се охлади и почистете вентилационните отвори.
1 светодиод мига. Пробивният винтоверт не функционира.	Акумулаторът е разреден.	► Сменете акумулатора и заредете изтощия акумулатор.
	Акумулаторът е твърде студен.	► Темперирайте акумулатора до препоръчаната работна температура.
	Акумулаторът е твърде горещ.	► Темперирайте акумулатора до препоръчаната работна температура.
SF 6H-A22 Ударното пробиване е невъзможно.	Функцията на регулирания пръстен не е настроена правилно.	► Поставете регулирания пръстен на функция "Ударно пробиване"
Ключът за управление не може да се натисне, респ. е блокиран.	Превключвателят за дясно/ляво въртене е в средно положение (транспортно положение).	► Поставете превключвателя за дясно/ляво въртене в положение дясно или ляво въртене. → страница 74
Пробивният винтоверт или акумулаторът са силно нагreti.	Електрическа повреда	► Незабавно изключете пробивния винтоверт, извадете акумулатора и се свържете със сервис на <b>Hilti</b> .
	Пробивният винтоверт е претоварен (премината е границата на приложение).	► Проверете Вашата област на приложение.

## 9 Третиране на отпадъци

### ПРЕДУПРЕЖДЕНИЕ

**Риск от нараняване поради неправилно третиране на отпадъците!** Опасности за здравето поради изпускане на газове и течности.

- Не доставяйте или не изпращайте повредени акумулатори!
- Покривайте връзките с непроводим материал, за да предотвратите къси съединения.
- Изхвърляйте акумулаторите по такъв начин, че да не могат да попаднат в ръцете на деца.
- Изхвърляйте акумулатора във Вашия **Hilti Store** или се свържете с местната компания за управление на отпадъците.

**Hilti** продуктите са произведени в по-голямата си част от материали за многократна употреба. Предпоставка за многократното им използване е тяхното правилно разделяне. В много страни **Hilti** взема Вашите употребявани уреди обратно за рециклиране. Попитайте отдела на **Hilti** за обслужване на клиенти или Вашия търговски консултант.



- Не изхвърляйте електроинструменти, електронни устройства и акумулатори в битовите отпадъци!



Таблица на опасни вещества ще намерите на следния линк:

- SF 6-A22: [qr.hilti.com/r9370541](http://qr.hilti.com/r9370541)
- SF 6H-A22: [qr.hilti.com/r9370482](http://qr.hilti.com/r9370482)

Линк към RoHS таблица ще намерите в края на настоящата документация като QR код.

## 11 Гаранция на производителя

- ▶ При въпроси относно гаранционните условия, моля, обърнете се към Вашия местен **Hilti** партньор.

# Manual de utilizare original

## 1 Date privind documentația

### 1.1 Referitor la această documentație

- Înainte de punerea în funcțiune, citiți complet această documentație. Aceasta este condiția necesară pentru un lucru în siguranță și pentru o manevrare fără defecțiuni.
- Aveți în vedere indicațiile de securitate și de avertizare din această documentație și de pe produs.
- Păstrați întotdeauna manualul de utilizare în preajma produsului și predați-l altor persoane numai împreună cu aceste manual.

### 1.2 Explicitarea simbolurilor

#### 1.2.1 Indicații de avertizare

Indicațiile de avertizare avertizează împotriva pericolelor care apar în lucrul cu produsul. Sunt utilizate următoarele cuvinte-semnal:

#### **PERICOL**

##### **PERICOL !**

- ▶ Pentru un pericol iminent și direct, care duce la vătămări corporale sau la accidente mortale.

#### **ATENȚIONARE**

##### **ATENȚIONARE !**

- ▶ Pentru un pericol iminent și posibil, care poate duce la vătămări corporale sau la accidente mortale.







#### **AVERTISMENT**

##### **AVERTISMENT !**

- ▶ Pentru o situație potențial periculoasă, care poate duce la vătămări corporale sau pagube materiale.

#### 1.2.2 Simboluri în manualul de utilizare

În acest manual de utilizare sunt utilizate următoarele simboluri:

	Respectați manualul de utilizare
	Indicații de folosire și alte informații utile
	Lucrul cu materiale reutilizabile
	Nu aruncați aparatele electrice și acumulatorii în containerele de gunoi menajer
	<b>Hilti</b> Acumulator Li-Ion
	<b>Hilti</b> Redresor



### 1.2.3 Simboluri în imagini

Următoarele simboluri sunt utilizate în imagini:

	Acest număr face trimitere la figura respectivă de la începutul acestui manual de utilizare.
	Numerotarea reflectă ordinea etapelor de lucru în imagine și poate să difere de etapele de lucru din text.
	Numerele pozițiilor sunt utilizate în figura <b>Vedere generală</b> și fac trimitere la numerele din legendă în paragraful <b>Vedere generală a produsului</b> .
	Acest semn are rolul de a stimula atenția dumneavoastră în lucrul cu produsul.

## 1.3 Simboluri în funcție de produs

### 1.3.1 Simboluri pe produs

Pe produs pot fi utilizate următoarele simboluri:

	Produsul este dublat de transmisie fără fir a datelor, care este compatibilă cu platformele iOS și Android.
	Seria de tip a acumulatorului Li-Ion <b>Hilti</b> utilizat. Rugăm aveți în vedere datele din capitolul <b>Utilizarea conformă cu destinația</b> .
Li-Ion	Acumulator Li-Ion
	Nu folosiți niciodată acumulatorul ca unealtă percutoare.
	Nu lăsați acumulatorul să cadă. Nu utilizați niciun acumulator care a suferit o lovitură sau este deteriorat într-un alt mod.
	Curent continuu
	Găurire fără percuție
	Găurire cu percuție (perforare cu ciocanul)
	Clasa de protecție II (cu izolație dublă)
$n_0$	Turația nominală de mers în gol
/min	rotații pe minut

## 1.4 Informații despre produs

Produsele sunt destinate utilizatorilor profesioniști, iar operarea cu acestea, întreținerea și repararea lor sunt activități permise numai personalului autorizat și instruit. Acest personal trebuie să fie instruit în mod special cu privire la potențialele pericole. Produsul și mijloacele sale auxiliare pot genera pericole dacă sunt utilizate necorespunzător sau folosite inadecvat destinației de către personal neinstruit. Indicativul de model și numărul de serie sunt indicate pe plăcuța de identificare.

- ▶ Transcrieți numărul de serie în tabelul următor. Datele despre produs vă sunt necesare în cazul solicitărilor de informații la reprezentanța noastră sau la centrul de service.

#### Date despre produs

Mașină de găurit și înșurubat	SF 6-A22   SF 6H-A22
Generația	02
Număr de serie	

## 1.5 Declarație de conformitate

Declarăm pe propria răspundere că produsul descris aici este conform cu directivele și normele în vigoare. O imagine a declarației de conformitate găsiți la finalul acestei documentații.

Documentațiile tehnice sunt stocate aici:

**Hilti** Entwicklungsgesellschaft mbH | Zulassung Geräte | Hiltistraße 6 | 86916 Kaufering, DE



### 2.1 Instrucțiuni de ordin general privind securitatea și protecția muncii pentru sculele electrice

**⚠ ATENȚIONARE** Consultați toate instrucțiunile de protecție a muncii, instrucțiunile de lucru, imaginile și datele tehnice cu care este prevăzută această sculă electrică. Neglijențele în respectarea următoarelor instrucțiuni pot provoca electrocutări, incendii și/ sau accidentări grave.

**Păstrați toate instrucțiunile de protecție a muncii și instrucțiunile de lucru pentru consultare în viitor.** Termenul de „sculă electrică” folosit în instrucțiunile de protecție a muncii se referă la sculele cu alimentare de la rețea (cu cablu de rețea) la sculele electrice cu alimentare de la acumulatori (fără cablu de rețea).

#### Securitatea în locul de muncă

- ▶ **Mențineți curățenia și un iluminat bun în zona de lucru.** Dezordinea sau iluminatul insuficient în zona de lucru pot constitui surse de accidente.
- ▶ **Nu lucrați cu scula electrică în medii cu pericol de explozie, în care sunt prezente lichide, gaze sau pulberi inflamabile.** Sculele electrice generează scânteii care pot aprinde pulberile sau vaporii.
- ▶ **Nu permiteți accesul copiilor și al altor persoane în zona de lucru pe parcursul utilizării sculei electrice.** În cazul distragerii atenției, puteți pierde controlul asupra aparatului.

#### Securitatea electrică

- ▶ **Fișa de racord a sculei electrice trebuie să se potrivească cu priza de alimentare. Orice gen de modificare a fișei este interzis. Nu folosiți niciun tip de fișe adaptore împreună cu scule electrice cu pământare de protecție.** Fișele nemodificate și prizele adecvate diminuează riscul de electrocutare.
- ▶ **Evitați contactul corpului cu suprafețele legate la pământ, cum ar fi țevile, sistemele de încălzire, pitele și frigiderele.** Există un risc major de electrocutare atunci când corpul se află în contact cu obiecte legate la pământ.
- ▶ **Feriți sculele electrice de influența ploii și umidității.** Pătrunderea apei în scula electrică crește riscul de electrocutare.
- ▶ **Nu utilizați cablul de legătură în scopuri pentru care nu este destinat, de exemplu pentru a transporta scula electrică, a suspenda scula electrică sau pentru a trage fișa din priza de alimentare. Feriți cablul de legătură de influențele căldurii, uleiului, muchiilor ascuțite sau componentelor aflate în mișcare.** Cablurile de legătură deteriorate sau înfășurate majorează riscul de electrocutare.
- ▶ **Dacă lucrați cu o sculă electrică în aer liber, utilizați numai cabluri prelungitoare care sunt adecvate și pentru folosirea în exterior.** Folosirea cablurilor prelungitoare adecvate lucrului în aer liber diminuează riscul de electrocutare.
- ▶ **Dacă punerea în exploatare a sculei electrice într-un mediu cu umiditate nu se poate evita, utilizați un întrerupător automat de protecție diferențial.** Utilizarea unui întrerupător automat de protecție diferențial diminuează riscul de electrocutare.

#### Securitatea persoanelor

- ▶ **Procedați cu atenție, concentrați-vă la ceea ce faceți și lucrați în mod rațional atunci când manevrați o sculă electrică. Nu folosiți nicio sculă electrică dacă sunteți obosit sau dacă vă aflați sub influența drogurilor, alcoolului sau medicamentelor.** Un moment de neatenție în folosirea sculei electrice poate duce la accidentări serioase.
- ▶ **Purtați echipament personal de protecție și, întotdeauna, ochelari de protecție.** Folosirea echipamentelor personale de protecție, ca de ex. masca anti-praf, încălțăminte antiderapantă, casca de protecție sau căștile antifonice, în funcție de tipul sculei electrice și de natura aplicației de lucru, duce la diminuarea riscului de accidentare.
- ▶ **Împiedicați pornirea involuntară a aparatului. Asigurați-vă că scula electrică este deconectată, înainte de a o racorda la alimentarea electrică și/ sau la acumulator, de a o lua din locul de lucru sau de a o transporta.** Situațiile în care transportați scula electrică ținând degetul pe întrerupător sau racordată aparatul în stare pornită la alimentarea electrică pot duce la accidente.
- ▶ **Înainte de a porni scula electrică, îndepărtați uneltele de reglaj sau cheile fixe.** Un accesoriu de lucru sau o cheie fixă, aflate într-o componentă rotativă a aparatului, pot provoca vătămări corporale.
- ▶ **Evitați o poziție anormală a corpului. Asigurați-vă o poziție stabilă și păstrați-vă întotdeauna echilibrul.** În acest fel, veți putea controla mai bine scula electrică în situații neașteptate.
- ▶ **Purtați îmbrăcăminte de lucru adecvată. Nu purtați haine largi sau bijuterii. Țineți părul, îmbrăcăminte și mânușile departe de componentele aflate în mișcare.** Îmbrăcăminte largă, bijuteriile sau părul lung pot fi prinse de piesele aflate în mișcare.
- ▶ **Dacă există posibilitatea montării unor accesorii de aspirare și captare a prafului, asigurați-vă că acestea sunt racordate și folosite corect.** Utilizarea unui sistem de aspirare a prafului poate diminua pericolul provocat de praf.



- ▶ **Nu vă bazați pe măsuri de securitate greșite și nu vă dispensați de reglementările de securitate pentru sculele electrice, chiar dacă sunteți familiarizat cu scula electrică după multiple folosiri ale acesteia.** Lucrul neatent poate duce în fracțiuni de secundă la accidentări grave.

#### Utilizarea și manevrarea sculei electrice

- ▶ **Nu suprasolicitați aparatul. Folosiți scula electrică special destinată lucrării dumneavoastră.** Cu scula electrică adecvată, lucrați mai bine și mai sigur în domeniul de putere specificat.
- ▶ **Nu folosiți nicio sculă electrică având întrerupătorul defect.** O sculă electrică ce nu mai permite pornirea sau oprirea sa este periculoasă și trebuie reparată.
- ▶ **Scoateți fișa din priză și/ sau înlăturați acumulatorul dacă este detașabil, înainte de executarea unor reglaje la aparat, înlocuirea accesoriilor sau depozitarea aparatului.** Această măsură de precauție reduce riscul unei porniri involuntare a sculei electrice.
- ▶ **Păstrați sculele electrice în locuri inaccesibile copiilor, atunci când nu le utilizați. Nu permiteți folosirea aparatului de către persoane care nu sunt familiarizate cu acesta sau care nu au citit instrucțiunile de față.** Sculele electrice sunt periculoase atunci când sunt folosite de persoane fără experiență.
- ▶ **Îngrijiți sculele electrice și accesoriile cu multă atenție. Controlați funcționarea impecabilă a componentelor mobile și verificați dacă acestea nu se blochează, dacă există piese sparte sau care prezintă deteriorări de natură să influențeze negativ funcționarea sculei electrice. Dispuneți repararea pieselor deteriorate înainte de punerea în exploatare a aparatului.** Multe accidente se produc din cauza întreținerii defectuoase a sculelor electrice.
- ▶ **Păstrați accesoriile așchietoare bine ascuțite și curate.** Accesoriile așchietoare întreținute atent, cu muchii așchietoare bine ascuțite se blochează mai greu și pot fi conduse mai ușor.
- ▶ **Utilizați scula electrică, accesoriile, dispozitivele de lucru etc. corespunzător acestor instrucțiuni. Țineți seama de condițiile de lucru și de activitatea care urmează a fi desfășurată.** Folosirea unor scule electrice destinate altor aplicații de lucru decât cele prevăzute poate conduce la situații periculoase.
- ▶ **Mențineți mânerul și suprafețele mânerelor în stare uscată, curată, fără ulei și unsoare.** Mânerul și suprafețele mânerelor nu permit utilizarea și controlul sculei electrice în siguranță în situații neprevăzute, dacă sunt alunecoase.

#### Utilizarea și manevrarea sculei cu acumulatori

- ▶ **Încărcați acumulatorii numai în redresoarele recomandate de producător.** Pentru un redresor adecvat unui anumit tip de acumulatori, apare pericolul de incendiu dacă acesta este utilizat cu alți acumulatori.
- ▶ **Utilizați numai acumulatorii prevăzuți special pentru sculele electrice.** Folosirea altor acumulatori poate duce la accidentări și poate provoca pericol de incendiu.
- ▶ **Țineți acumulatorii nefolosiți la distanță de agrafele de birou, monede, chei, cuie, șuruburi sau alte obiecte metalice mici, care ar putea provoca scurtcircuitarea contactelor.** Un scurtcircuit între contactele acumulatorului poate avea ca urmări arsuri sau incendii.
- ▶ **La folosirea în mod eronat, este posibilă eliminarea de lichid din acumulatori. Evitați contactul cu acesta. În cazul contactului accidental, spălați cu apă. Dacă lichidul ajunge în ochi, solicitați suplimentar asistență medicală.** Lichidul ieșit din acumulatori poate provoca iritații ale pielii sau arsuri.
- ▶ **Nu folosiți acumulatori deteriorați sau modificați.** Acumulatorii deteriorați sau modificați se pot comporta imprevizibil și pot provoca incendii, explozii sau pericol de accidentări.
- ▶ **Nu expuneți un acumulator la foc sau la temperaturi prea ridicate.** Focul sau temperaturile de peste 130 °C (265 °F) pot provoca o explozie.
- ▶ **Urmați toate instrucțiunile de încărcare și nu încărcați niciodată acumulatorul sau umealta cu acumulator la valori situate în afara domeniului de temperatură indicat în instrucțiunile de exploatare.** Încărcarea greșită sau încărcarea la valori în afara domeniului avizat de temperatură poate distruge acumulatorul și crește pericolul de incendiu.

#### Service

- ▶ **Încredințați repararea sculei electrice a dumneavoastră numai personalului calificat de specialitate și numai în condițiile folosirii pieselor de schimb originale.** În acest fel, este garantată menținerea siguranței de exploatare a aparatului.
- ▶ **Nu executați niciodată lucrări de întreținere la un acumulator deteriorat.** Toate lucrările de întreținere la acumulatori se vor executa numai de către producător sau de centrele de asistență pentru clienți, împuternicite de producător.



## 2.2 Instrucțiuni de protecție a muncii pentru mașini de găurire

### Instrucțiuni de protecție a muncii pentru toate lucrările

- ▶ **Purtați căști antifonice la găurirea cu percuție.** Efectele zgomotului pot conduce la pierderea auzului.
- ▶ **Folosiți mânerul suplimentar.** Pierderea controlului poate duce la accidentări.
- ▶ **Țineți scula electrică de suprafețele izolate ale mânerelor, când executați lucrări în care dispozitivul de lucru poate întâlni conductori electrici ascunși sau șuruburile.** Contactul cu un conductor parcurs de curent poate pune sub tensiune și piesele metalice ale aparatului și poate duce la electrocutări.

### Instrucțiuni de protecție a muncii în cazul utilizării unui burghiu lung

- ▶ **Nu lucrați în niciun caz cu turație mai ridicată decât turația maximă admisibilă pentru burghiu.** În cazul turațiilor mai ridicate, burghiul se poate îndoi ușor dacă este posibilă rotirea liberă a lui fără contact cu piesa care se prelucrează și apare posibilitatea de producere a unor accidentări.
- ▶ **Începeți întotdeauna procesul de găurire cu turație scăzută și cât timp burghiul are contact cu piesa care se prelucrează.** În cazul turațiilor mai ridicate, burghiul se poate îndoi ușor dacă este posibilă rotirea liberă a lui fără contact cu piesa care se prelucrează și apare posibilitatea de producere a unor accidentări.
- ▶ **Nu exercitați o presiune excesivă și apăsați numai pe direcție longitudinală pe burghiu.** Burghiele se pot îndoi și, ca urmare, se pot rupe sau apare posibilitatea de pierdere a controlului și de producere a unor accidentări.

### Instrucțiuni de protecție a muncii în cazul utilizării unor palete de agitare și tije de agitator

- ▶ **Porniți sau opriți scula electrică numai când paleta de agitare se află în materialul de amestecat.** În caz contrar, sunt posibile pierderea controlului și, ca urmare, apariția pericolului de accidentare.

## 2.3 Instrucțiuni suplimentare de protecție a muncii pentru mașina de înșurubat

### Securitatea persoanelor

- ▶ Folosiți produsul și accesoriile numai în stare tehnică impecabilă.
- ▶ Nu efectuați niciodată intervenții neautorizate sau modificări asupra produsului sau accesoriilor.
- ▶ Folosiți mânerul suplimentar livrat cu produsul. Pierderea controlului poate duce la accidentări.
- ▶ Țineți întotdeauna ferm produsul cu ambele mâini de mânerul special prevăzute. Țineți mânerul uscat și curat.
- ▶ Evitați atingerea pieselor în rotație - pericol de accidentare!
- ▶ Pe parcursul utilizării produsului, purtați ochelari de protecție adecvați, cască de protecție, căști antifonice și o mască ușoară de protecție respiratorie.
- ▶ Purtați mănuși de protecție la schimbarea accesoriilor de lucru. Atingerea dispozitivului de lucru poate duce la vătămări prin tăiere și arsuri.
- ▶ Utilizați o apăritoare pentru ochi. Materialul sub formă de așchii poate produce vătămări ale corpului și ochilor.
- ▶ Praful format în lucrările de șlefuire, șmirgheluire, tăiere și găurire poate conține substanțe chimice periculoase. Câteva exemple sunt: Plumb sau vopsele pe bază de plumb; Cărmămidă, beton și alte produse de zidărie, piatră naturală și alte produse care conțin siliciu; Anumite tipuri de lemn, cum sunt stejarul, fagul și lemnul tratat chimic; Azbest sau materiale care conțin azbest. Determinați expunerea operatorului și persoanelor din preajmă prin clasa de pericolozitate a materialelor la care se lucrează. Întreprindeți măsurile necesare pentru a menține valorile de expunerea la un nivel sigur, ca de ex. utilizarea unui sistem de colectare a prafului sau purtarea unei măști de protecție respiratorie adecvate. Din măsurile generale pentru diminuarea expunerii fac parte:
  - ▶ Lucrul într-un spațiu bine aerisit,
  - ▶ Evitarea contactului îndelungat cu praful,
  - ▶ Devierea prafului din zona feței și corpului,
  - ▶ Purtarea îmbrăcăminții de protecție și spălarea zonelor expuse cu apă și săpun.
- ▶ Faceți frecvent pauze și exerciții pentru îmbunătățirea circulației sanguine în degetele dumneavoastră. În cazul lucrărilor lungi, din cauza vibrațiilor intense sunt posibile tulburări la nivelul vaselor sanguine sau al sistemului nervos în degete, mâini sau articulațiile mâinilor.

### Securitatea electrică

- ▶ Verificați înainte de începerea lucrului dacă în zona de lucru există conductori electrici, conducte de gaz și țevi de apă acoperite. Piesele metalice aflate în contact exterior cu produsul pot cauza o electrocutare sau o explozie, dacă deteriorați un conductor electric, o conductă de gaz sau o țevă de apă.





## Manevrarea și folosirea cu precauție a sculelor electrice

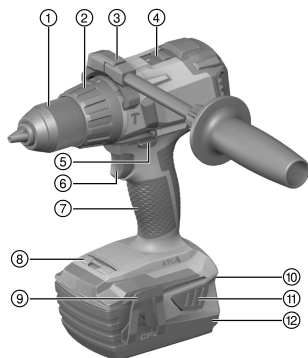
- ▶ Deconectați produsul imediat dacă accesoriul de lucru se blochează. Produsul poate devia în lateral.
- ▶ Așteptați până când produsul a ajuns în stare de repaus complet, înainte de a-l depune.

### 2.4 Manevrarea și folosirea cu precauție a acumulatorilor

- ▶ Respectați directivele speciale pentru transportul, depozitarea și exploatarea acumulatorilor Li-Ion.
- ▶ Feriți acumulatorii de influența temperaturilor înalte, de expunere directă la soare și de foc.
- ▶ Nu este permisă dezmembrarea, strivirea, încălzirea la peste 80°C (176°F) sau arderea acumulatorilor.
- ▶ Nu utilizați sau încărcăți niciun acumulator care a suferit o lovitură, a căzut de la peste un metru sau a fost deteriorat într-un alt mod. În acest caz, luați legătura cu întotdeauna cu **Hilti Service**.
- ▶ Dacă acumulatorul se înfierbântă prea puternic pentru a putea fi ținut în mână, este posibil ca el să fie defect. Așezați acumulatorul într-un loc vizibil, fără pericol de incendiu, la o distanță suficientă față de materialele inflamabile. Lăsați acumulatorul să se răcească. Dacă acumulatorul este încă prea fierbinte pentru a putea fi ținut în mână după o oră, atunci el este defect. Luați legătura cu centrul de **service Hilti**.

## 3 Descriere

### 3.1 Vedere generală



- 1 Mandrină cu strângere rapidă
- 2 Inel de reglare pentru cuplul de rotație și funcție
- 3 Mâner lateral
- 4 Selectorul treptei de viteză
- 5 Inversor pentru rotație dreapta/ stânga cu siguranță împotriva conectării
- 6 Comutator de comandă (cu sistem de comandă electronică pentru turație)
- 7 Mâner
- 8 Lampă pentru iluminarea spațiului de lucru
- 9 Agățătoarea de centură (opțional)
- 10 Indicatorul stării de încărcare și al erorilor (acumulator Li-Ion)
- 11 Tasta pentru deblocare pentru acumulator
- 12 Acumulator

### 3.2 Utilizarea conformă cu destinația

Produsul descris este o mașină de găurit și înșurubat cu dirijare manuală și cu alimentare de la acumulatori. El este destinat găuririi în oțel, lemn și material plastic, beton ușor și zidărie, precum și introducerii prin rotație și desfacerii șuruburilor.

- ▶ Utilizați pentru acest produs numai acumulatori Li-Ion **Hilti** din seria de tip B 22.
- ▶ Utilizați pentru acești acumulatori numai redresoarele **Hilti** din seria C4/36.

### 3.3 Setul de livrare

Mașină de găurit și înșurubat, mâner lateral, manual de utilizare.

Alte produse din sistem, avizate pentru produsul dumneavoastră, găsiți la centrul dumneavoastră **Hilti Store** sau online la: [www.hilti.group](http://www.hilti.group) | SUA: [www.hilti.com](http://www.hilti.com)

### 3.4 Indicatorul acumulatorului Li-Ion

Starea de încărcare a acumulatorului Li-Ion și defecțiunile la mașină sunt semnalizate prin indicatorul acumulatorului Li-Ion. Starea de încărcare a acumulatorului Li-Ion este indicată după atingerea uneia dintre cele două taste pentru deblocare cu acumulator.

Starea	Semnificație
4 LED-uri aprinse.	Starea de încărcare: 75 % până la 100 %



Starea	Semnificație
3 LED-uri aprinse.	Starea de încărcare: 50 % până la 75 %
2 LED-uri aprinse.	Starea de încărcare: 25 % până la 50 %
1 LED aprins.	Starea de încărcare: 10 % până la 25 %
1 LED se aprinde intermitent.	Starea de încărcare: < 10 %
1 LED se aprinde intermitent, mașina nu este pregătită de funcționare.	Acumulatorul este supraîncălzit sau complet descărcat.
4 LED-uri se aprind intermitent, mașina nu este pregătită de funcționare.	Mașina este suprasolicitată sau supraîncălzită.

**i** Când comutatorul de comandă este acționat și până la 5 secunde după eliberarea comutatorului de comandă, apelarea stării de încărcare nu este posibilă.

Dacă LED-urile indicatorului acumulatorului se aprind intermitent, vă rugăm să consultați indicațiile din capitolul Asistență în caz de avarii.

### 3.5 ATC

Produsul este echipată cu decuplare electronică rapidă ATC (Active Torque Control).

Dacă dispozitivul de lucru se blochează sau se înțepenește, produsul se rotește brusc necontrolat în sens opus. ATC detectează această mișcare bruscă de rotație a produsului și deconectează imediat produsul.

**i** Pentru o funcționare conformă cu prescripțiile, produsul trebuie să permită rotirea.

După ce decuplarea rapidă a reușit, deconectați și conectați din nou produsul.

### 3.6 Indicatorul de suprasarcină și de supraîncălzire

Mașina este echipată cu un dispozitiv electronic de protecție la suprasarcină și cu protecție la supraîncălzire. În caz de suprasolicitare sau de supraîncălzire, mașina se deconectează automat. Dacă se eliberează comutatorul de comandă și se apasă din nou, se pot produce întârzieri de conectare (fazele de răcire a mașinii).

## 4 Date tehnice

		SF 6-A22	SF 6H-A22
Tensiunea nominală		21,6 V <sub>DC</sub>	21,6 V <sub>DC</sub>
Greutate conform EPTA Procedure 01 inclusiv acumulator B22/8.0		3,1 kg	3,1 kg
Turație	Treapta 1	0 rot/min ... 490 rot/min	0 rot/min ... 490 rot/min
	Treapta 2	0 rot/min ... 2.000 rot/min	0 rot/min ... 2.000 rot/min
Cuplu de rotație (înșurubare în material moale) 		≤ 65 Nm	≤ 65 Nm
Frecvența de percuție		•/•	36.000 rot/min
Temperatura ambiantă în timpul funcționării		-17 °C ... 60 °C	-17 °C ... 60 °C
Temperatura de depozitare		-20 °C ... 70 °C	-20 °C ... 70 °C

### 4.1 Acumulator

Tensiunea de lucru a acumulatorului	21,6 V
Temperatura ambiantă în timpul funcționării	-17 °C ... 60 °C
Temperatura de depozitare	-20 °C ... 40 °C
Temperatura acumulatorului la începutul încărcării	-10 °C ... 45 °C



## 4.2 Diametrul admisibil pentru dispozitive de lucru

Ø interval de strângere mandrină rapidă	1,5 mm ... 13 mm
Ø burghiu pentru lemn (dur)	1,5 mm ... 20 mm
Ø burghiu pentru lemn (moale)	1,5 mm ... 32 mm
Ø burghiu pentru metal	1,5 mm ... 13 mm
Ø găurire în beton/zidărie (găurire cu percuție)	4 mm ... 12 mm

## 4.3 Datele privind zgomotul și valorile vibrațiilor conform EN 62841

Valorile presiunii acustice și ale vibrațiilor indicate în aceste instrucțiuni au fost măsurate corespunzător unui procedeu standardizat de măsură și pot fi utilizate pentru compararea reciprocă a sculelor electrice. Ele sunt adecvate și pentru o apreciere provizorie a valorilor de expunere.

Datele indicate se referă la aplicațiile principale de lucru ale sculei electrice. Firește că, dacă scula electrică este utilizată pentru alte aplicații de lucru cu dispozitive de lucru neprevăzute sau cu o întreținere insuficientă, datele pot să difere. Acest lucru poate ridica în mod considerabil valorile de expunere pe întreaga durată de lucru.

Pentru o apreciere exactă a valorilor de expunere, trebuie să se ia în calcul și timpii în care aparatul este deconectat sau în care el funcționează, dar nu execută efectiv nicio activitate. Acest lucru poate reduce în mod considerabil valorile de expunere pe întreaga durată de lucru.

Stabiliți măsuri de securitate suplimentare pentru protecția operatorului față de efectele sonore și ale vibrațiilor, ca de exemplu: întreținerea sculei electrice și a dispozitivelor de lucru, menținerea mâinilor în stare caldă, organizarea proceselor de lucru.

### Valorile emisiei de zgomot

	SF 6-A22	SF 6H-A22
Nivelul presiunii acustice emise ( $L_{pA}$ )	78 dB(A)	91 dB(A)
Insecuritatea pentru nivelul presiunii acustice ( $K_{pA}$ )	3 dB(A)	3 dB(A)
Nivelul puterii acustice ( $L_{WA}$ )	89 dB(A)	102 dB(A)
Insecuritatea pentru nivelul puterii acustice ( $K_{WA}$ )	3 dB(A)	3 dB(A)

### Valori totale ale vibrațiilor

	SF 6-A22	SF 6H-A22
Valoarea emisiei vibrațiilor pentru găurire în metal ( $a_{h,D}$ )	1,4 m/s <sup>2</sup>	2,8 m/s <sup>2</sup>
Insecuritatea la găurire în metal (K)	1,5 m/s <sup>2</sup>	1,5 m/s <sup>2</sup>
Valoarea emisiei vibrațiilor la înșurubare ( $a_h$ )	0,8 m/s <sup>2</sup>	1,1 m/s <sup>2</sup>
Insecuritatea la înșurubare (K)	1,5 m/s <sup>2</sup>	1,5 m/s <sup>2</sup>
Valoarea emisiei vibrațiilor pentru găurire cu percuție în beton ( $a_{h,D}$ )	*/*	15,4 m/s <sup>2</sup>
Insecuritatea la găurire cu percuție în beton (K)	*/*	1,5 m/s <sup>2</sup>

## 5 Modul de utilizare

### 5.1 Introducerea acumulatorului

#### ATENȚIONARE

#### Pericol de accidentare Prin scurtcircuit sau căderea acumulatorului!

- ▶ Înainte de introducerea acumulatorului, asigurați-vă că la contactele acumulatorului și la contactele de pe produs nu există corpuri străine.
- ▶ Asigurați-vă că acumulatorul este întotdeauna fixat corect în poziție.

1. Încărcați acumulatorul complet înainte de prima punere în funcțiune.
2. Introduceți prin glisare acumulatorul în produs până când acesta se înclichetează cu zgomotul caracteristic.
3. Controlați stabilitatea acumulatorului.



## 5.2 Îndepărtarea acumulatorului

1. Apăsăți tastele pentru deblocare ale acumulatorului.
2. Trageți acumulatorul afară din mașină.

## 5.3 Încărcarea acumulatorului

1. Înainte de încărcare, citiți manualul de utilizare al redresorului.
2. Aveți în vedere ca la contactele acumulatorului și ale redresorului să existe curățenie și acestea să fie uscate.
3. Încărcați acumulatorul într-un redresor avizat. → Pagina 83

## 5.4 Montarea mânerului lateral

### AVERTISMENT

**Pericol de accidentare!** Pierdere a controlului asupra mașinii de perforat rotopercutante.

- ▶ Asigurați-vă că mânerul lateral este montat și fixat corect. Asigurați-vă de poziția corectă a clemelor în canelurile prevăzute special.


1. Aduceți inversorul pentru rotație dreapta/ stânga în poziția centrală.
2. Rotiți de mâner, pentru a desface clemele mânerului lateral.
3. Introduceți suportul de susținere al mânerului lateral complet pe carcasă și introduceți prin glisare clemele în canelurile prevăzute special.
4. Rotiți de mâner, pentru a tensiona suportul de susținere de la mânerul lateral.

## 5.5 Montarea agățătorii de centură (opțional)

### ATENȚIONARE

**Pericol de accidentare.** O mașină care cade vă poate periclita pe dumneavoastră și alte persoane.

- ▶ Controlați înainte de începerea lucrului dacă agățătoarea de centură este fixată sigur.

 Cu agățătoarea de centură, puteți fixa mașina pe centură, în poziție lipită de corp. Agățătoarea de centură poate fi montată pentru purtare pe dreapta și stânga.

1. Îndepărtați acumulatorul. → Pagina 86
2. Introduceți agățătoarea de centură în deschiderea prevăzută special de la piciorul produsului.
3. Fixați agățătoarea de centură cu cele două șuruburi.
4. Introduceți acumulatorul. → Pagina 85

## 5.6 Hilti Montarea suportului de capete (opțional)

1. Îndepărtați acumulatorul. → Pagina 86
2. Introduceți suportul de capete în dreapta sau stânga în deschiderea prevăzută special de la piciorul produsului.
3. Fixați suportul de capete cu două șuruburi.
4. Introduceți acumulatorul. → Pagina 85

## 5.7 Hilti Montarea siguranței în caz de cădere (opțional)

### ATENȚIE

**Deteriorare a produsului și/ sau a corzii.** Manevrarea improprie poate duce la deteriorarea produsului și/ sau a corzii.

- ▶ Nu utilizați lanțuri metalice pe post de coardă. Nu utilizați corzi cu o lungime mai mare de 2,0 m (6 ft).



**i** Pentru evitarea deteriorărilor, se recomandă ca, în cazul lucrărilor în poziție înaltă, să utilizați siguranța în caz de cădere **Hilti**.

Siguranța în caz de cădere permite fixarea cablurilor/benzilor de susținere.

Directivile naționale pentru lucrări în poziție înaltă se vor respecta obligatoriu pe parcursul lucrului cu produsul.

1. Îndepărtați acumulatorul. → Pagina 86
2. Introduceți cele două lamele ale siguranței în caz de cădere în fantele aflate pe cele două părți ale piciorului mașinii.
3. Fixați siguranța în caz de cădere cu șuruburile aferente.
4. Introduceți acumulatorul. → Pagina 85

## 5.8 Selectarea treptei de viteză

- ▶ Alegeți treapta de viteză.

## 5.9 Reglarea rotației spre dreapta/ stânga

**i** Un sistem de blocare împiedică inversarea când motorul este în funcțiune.  
În poziția centrală, comutatorul de comandă este blocat (siguranța împotriva conectării).

- ▶ Fixați inversorul pentru rotație dreapta/ stânga pe rotație spre dreapta sau stânga.

## 5.10 Introducerea/extragerea dispozitivului de lucru

1. Poziționați inversorul pentru rotație dreapta/ stânga în poziție centrală sau detașați acumulatorul de la mașină.
2. Deschideți mandrina cu strângere rapidă.
3. Introduceți dispozitivul de lucru în mandrină sau extrageți-l.
4. Strângeți ferm prin rotire mandrina cu strângere rapidă.
5. Verificați stabilitatea dispozitivului de lucru.

## 5.11 Găurirea

### AVERTISMENT

**Pericol de accidentare.** Dispozitivul de lucru se poate bloca brusc și, ca urmare, poate devia mașina în lateral.

- ▶ Utilizați întotdeauna aparatul cu mânerul lateral și țineți-l ferm cu ambele mâini.
- ▶ Țineți întotdeauna mânerul lateral în exterior.

### AVERTISMENT

**Pericol de accidentare.** Din materialul de bază pot sări așchii de material.

- ▶ Utilizați o apărătoare pentru ochi.
- ▶ Poziționați inelul de reglare pentru cuplul de rotație și funcție pe simbolul "Găurire" .

## 5.12 Găurirea cu percuție

SF 6H-A22

- ▶ Poziționați inelul de reglare pentru funcții pe funcția "Găurire cu percuție" .

## 5.13 Înșurubarea

- ▶ Reglați inelul de reglare pentru cuplul de rotație și funcție pe cuplul de rotație necesar.



### 5.14 Conectarea

- ▶ Apăsăți pe comutatorul de comandă.
  - ▶ Turația se poate alege progresiv de la valoarea minimă până la cea maximă.

### 5.15 Deconectarea

- ▶ Eliberați comutatorul de comandă.

## 6 Îngrijirea și întreținerea



### ATENȚIONARE

#### Pericol de accidentare când acumulatorul este introdus !

- ▶ Înaintea tuturor lucrărilor de îngrijire și întreținere, extrageți întotdeauna acumulatorul!

#### Îngrijirea produsului

- Îndepărtați cu precauție murdăria aderentă.
- Dacă există, curățați cu precauție fantele de aerisire, folosind o perie uscată și moale.
- Curățați carcasa numai cu o cârpă ușor umezită. Nu utilizați produse de îngrijire care conțin silicon, deoarece acestea pot ataca piesele din plastic.
- Utilizați o cârpă curată și uscată, pentru a curăța contactele produsului.

#### Îngrijirea acumulatorilor Li-Ion

- Nu utilizați niciodată un acumulator cu fantele de aerisire astupate. Curățați fantele de aerisire cu multă atenție, folosind o perie uscată și moale.
- Evitați expunerea inutilă a acumulatorului la praf sau murdărie. Nu expuneți niciodată acumulatorul la umiditate ridicată (de ex. prin scufundare în apă sau lăsarea lui în ploaie). Dacă un acumulator este pătruns de umiditate, tratați-l ca pe un acumulator deteriorat. Izolați-l într-un recipient neinflamabil și adresați-vă centrului de service **Hilti**.
- Păstrați acumulatorul fără urme de ulei și unsoare de altă proveniență. Nu permiteți ca praful sau murdăria să se acumuleze inutil pe acumulator. Curățați acumulatorul cu o perie uscată și moale sau cu o cârpă curată și uscată. Nu utilizați produse de îngrijire care conțin silicon, deoarece acestea pot ataca piesele din plastic.
- Nu atingeți contactele acumulatorului și nu îndepărtați unsoarea aplicată din fabricație de pe contacte.
- Curățați carcasa numai cu o cârpă ușor umezită. Nu utilizați produse de îngrijire care conțin silicon, deoarece acestea pot ataca piesele din plastic.

#### Întreținerea

- Verificați regulat la toate piesele vizibile dacă există deteriorări și funcționarea impecabilă a elementelor de comandă.
- În caz de deteriorări și/ sau disfuncționalități, nu puneți produsul în exploatare. Dispuneți urgent repararea produsului la centrul de service de la **Hilti**.
- După lucrările de îngrijire și întreținere, atașați toate dispozitivele de protecție și verificați funcționarea impecabilă a acestora.



Pentru o exploatare sigură utilizați numai piese de schimb și materiale consumabile originale. Piese de schimb, materiale consumabile și accesorii avizate de **Hilti** pentru produs găsiți la centrul dumneavoastră **Hilti Store** sau la: [www.hilti.group](http://www.hilti.group)

## 7 Transportul și depozitarea accesoriilor de lucru cu acumulator și a acumulatorilor

### Transportul



### AVERTISMENT

#### Pornire involuntară la transport !

- ▶ Transportați întotdeauna produsele dumneavoastră fără acumulatori introduși!
- ▶ Extrageți acumulatorul/ acumulatorii.
- ▶ Nu transportați niciodată acumulatorii în vrac. Pe parcursul transportului, acumulatorii trebuie protejați împotriva șocurilor și vibrațiilor excesive și izolați de orice materiale conductoare electric sau de alți



acumulator, astfel încât să nu ajungă în contact cu alte borne de baterie și să cauzeze un scurtcircuit.

**Aveți în vedere prescripțiile de transport locale, valabile pentru acumulatori în zona dumneavoastră.**

- ▶ Trimiterea acumulatorilor prin poștă nu este permisă. Adresați-vă unei companii de expedieri dacă doriți să trimiteți acumulatori nedeteriorați.
- ▶ Controlați înainte de fiecare utilizare, precum și înaintea unui transport lung și după acesta, dacă produsul și acumulatorii prezintă deteriorări.

### Depozitarea

#### ATENȚIONARE

**Deteriorare involuntară cauzată de acumulatori defecți sau din care iese lichid !**

- ▶ Depozitați întotdeauna produsele dumneavoastră fără acumulatori introduși!
- ▶ Depozitați produsul și acumulatorii în spații răcoase și uscate. Aveți în vedere valorile limită de temperatură, indicate în Date tehnice.
- ▶ Nu păstrați acumulatorii în redresor. Scoateți întotdeauna acumulatorul de la redresor după procesul de încărcare.
- ▶ Nu depozitați niciodată acumulatorii în soare, pe surse de căldură sau în spatele geamurilor de sticlă.
- ▶ Depozitați produsul și acumulatorii în spații inaccesibile pentru copii și pentru persoanele neautorizate.
- ▶ Controlați înainte de fiecare utilizare, precum și înaintea unei depozitări lungi și după aceasta, dacă produsul și acumulatorii prezintă deteriorări.

## 8 Asistență în caz de avarii

În cazul avariilor care nu sunt prezentate în acest tabel sau pe care nu le puteți remedia prin mijloace proprii, vă rugăm să vă adresați centrul nostru de service **Hilti**.

### 8.1 Asistență în caz de avarii

Avarie	Cauza posibilă	Soluție
Mașina de găurit și înșurubat nu funcționează.	Acumulatorul nu este introdus corespunzător.	▶ Introduceți acumulatorul. → Pagina 85
	Acumulatorul este descărcat.	▶ Schimbați acumulatorul și încărcați acumulatorul gol.
Toate 4 LED-urile se aprind intermitent.	Mașina de găurit și înșurubat este suprasolicitată pe o durată scurtă.	▶ Eliberați comutatorul de comandă și acționați-l din nou.
Mașina de găurit și înșurubat nu funcționează.	Protecția la supraîncălzire	▶ Lăsați mașina de găurit și înșurubat să se răcească și curățați fantele de aerisire.
1 LED se aprinde intermitent. Mașina de găurit și înșurubat nu funcționează.	Acumulatorul este descărcat.	▶ Schimbați acumulatorul și încărcați acumulatorul gol.
	Acumulatorul este prea rece.	▶ Aduceți acumulatorul la temperatura de lucru recomandată.
	Acumulatorul este prea fierbinte.	▶ Aduceți acumulatorul la temperatura de lucru recomandată.
SF 6H-A22 Găurirea cu percuție nu este posibilă.	Funcția nu este reglată corect la inelul de reglare.	▶ Poziționați inelul de reglare pentru funcții pe funcția "Găurire cu percuție" .
Comutatorul de comandă nu permite apăsarea, respectiv este blocat.	Inversorul pentru rotație dreapta/stânga este în poziția centrală (poziția de transport).	▶ Fixați inversorul pentru rotație dreapta/ stânga pe rotație spre dreapta sau stânga. → Pagina 87
În mașina de găurit și înșurubat sau acumulator are loc o dezvoltare intensă de căldură.	Defect electric	▶ Deconectați imediat mașina de găurit și înșurubat, extrageți acumulatorul și solicitați asistență la centrul de service <b>Hilti</b> .



Avarie	Cauza posibilă	Soluție
În mașina de găurit și înșurubat sau acumulator are loc o dezvoltare intensă de căldură.	Mașina de găurit și înșurubat este suprasolicitată (limita de aplicabilitate este depășită).	► Verificați cazul aplicativ al dumneavoastră.

## 9 Dezafectarea și evacuarea ca deșeurii

### ATENȚIONARE

**Pericol de accidentare prin dezafectarea și evacuarea improprie a deșeurilor!** Pericole pentru sănătate din cauza ieșirii de gaze sau lichide.

- Nu expediați sau trimiteți niciun acumulator deteriorat!
- Acoperiți racordurile cu un material neconductor electric, pentru a evita scurtcircuitele.
- Evacuați ca deșeu acumulatorii astfel încât ei să nu poată ajunge în mâinile copiilor.
- Evacuați acumulatorul ca deșeu la magazinul dumneavoastră **Hilti Store** sau adresați-vă companiei responsabile cu deșeurile din zona dumneavoastră.

Produsele **Hilti** sunt fabricate într-o proporție mare din materiale reutilizabile. Condiția necesară pentru reciclare este separarea corectă a materialelor. În multe țări, **Hilti** preia înapoi mașina dumneavoastră veche pentru valorificare. Solicitați informații de la centrul pentru clienți **Hilti** sau de la consilierul dumneavoastră de vânzări.



- Nu aruncați sculele electrice, aparatele electronice și acumulatorii în containerele de gunoi menajer!

## 10 RoHS (directiva privind limitarea utilizării substanțelor periculoase)

Sub link-ul următor găsiți tabelul substanțelor periculoase:

- SF 6-A22: [qr.hilti.com/r9370541](https://qr.hilti.com/r9370541)
- SF 6H-A22: [qr.hilti.com/r9370482](https://qr.hilti.com/r9370482)

Un link referitor la tabelul RoHS găsiți la finalul acestei documentații sub formă de cod QR.

## 11 Garanția producătorului

- Pentru relații suplimentare referitoare la condițiile de garanție legală, vă rugăm să vă adresați partenerului dumneavoastră local **Hilti**.

# Μετάφραση οδηγιών χρήσης από το πρωτότυπο

## 1 Στοιχεία για την τεχνική τεκμηρίωση

### 1.1 Σχετικά με την παρούσα τεκμηρίωση

- Πριν από την πρώτη θέση σε λειτουργία διαβάστε την παρούσα τεκμηρίωση. Αποτελεί προϋπόθεση για ασφαλή εργασία και απρόσκοπτο χειρισμό.
- Προσέξτε τις υποδείξεις ασφαλείας και προειδοποίησης στην παρούσα τεκμηρίωση και στο προϊόν.
- Φυλάξτε τις οδηγίες χρήσης πάντα στο προϊόν και δίνετε το προϊόν σε άλλα πρόσωπα μόνο μαζί με αυτές τις οδηγίες χρήσης.

### 1.2 Επεξήγηση συμβόλων

#### 1.2.1 Υποδείξεις προειδοποίησης

Οι υποδείξεις προειδοποίησης προειδοποιούν από κινδύνους κατά την εργασία με το προϊόν. Χρησιμοποιούνται οι ακόλουθες λέξεις επισήμανσης:





**⚠ ΚΙΝΔΥΝΟΣ**

**ΚΙΝΔΥΝΟΣ !**

- ▶ Για μια άμεσα επικίνδυνη κατάσταση, που οδηγεί σε σοβαρό ή θανατηφόρο τραυματισμό.

**⚠ ΠΡΟΕΙΔΟΠΟΙΗΣΗ**

**ΠΡΟΕΙΔΟΠΟΙΗΣΗ !**

- ▶ Για μια πιθανά επικίνδυνη κατάσταση, που μπορεί να οδηγήσει σε σοβαρό ή θανατηφόρο τραυματισμό.

**⚠ ΠΡΟΣΟΧΗ**

**ΠΡΟΣΟΧΗ !**

- ▶ Για μια πιθανόν επικίνδυνη κατάσταση, που ενδέχεται να οδηγήσει σε τραυματισμούς ή υλικές ζημιές.

**1.2.2 Σύμβολα στις οδηγίες χρήσης**

Στις παρούσες οδηγίες χρήσης χρησιμοποιούνται τα ακόλουθα σύμβολα:

	Προσέξτε τις οδηγίες χρήσης
	Υποδείξεις χρήσης και άλλες χρήσιμες πληροφορίες
	Χειρισμός ανακυκλώσιμων υλικών
	Μην πετάτε τα ηλεκτρικά εργαλεία και τις μπαταρίες στον κάδο οικιακών απορριμμάτων
	<b>Hilti</b> Επαναφορτιζόμενη μπαταρία Li-Ion
	<b>Hilti</b> Φορτιστής

**1.2.3 Σύμβολα σε εικόνες**

Στις εικόνες χρησιμοποιούνται τα ακόλουθα σύμβολα:

	Αυτοί οι αριθμοί παραπέμπουν στην εκάστοτε εικόνα στην αρχή αυτών των οδηγιών χρήσης.
	Η αρίθμηση δείχνει τη σειρά των βημάτων εργασίας στην εικόνα και ενδέχεται να διαφέρει από τα βήματα εργασίας στο κείμενο.
	Οι αριθμοί θέσης χρησιμοποιούνται στην εικόνα <b>Επισκόπηση</b> και παραπέμπουν στους αριθμούς του υπομνήματος στην ενότητα <b>Συνοπτική παρουσίαση προϊόντος</b> .
	Αυτό το σύμβολο έχει σκοπό να επιστήσει ιδιαίτερα την προσοχή σας κατά την εργασία με το προϊόν.

**1.3 Σύμβολα ανάλογα με το προϊόν**

**1.3.1 Σύμβολα στο προϊόν**

Στο προϊόν μπορεί να χρησιμοποιούνται τα ακόλουθα σύμβολα:

	Το προϊόν υποστηρίζει ασύρματη μεταφορά δεδομένων, που είναι συμβατή με τις πλατφόρμες iOS και Android.
	Σειρά τύπου επαναφορτιζόμενης μπαταρίας Li-Ion <b>Hilti</b> . Προσέξτε τα στοιχεία στο κεφάλαιο <b>Κατάλληλη χρήση</b> .
	Επαναφορτιζόμενη μπαταρία Li-Ion
	Μην χρησιμοποιείτε την επαναφορτιζόμενη μπαταρία ποτέ ως κρουστικό εργαλείο.
	Μην αφήνετε την επαναφορτιζόμενη μπαταρία να πέσει κάτω. Μην χρησιμοποιείτε μια επαναφορτιζόμενη μπαταρία, η οποία έχει δεχτεί χτύπημα ή έχει υποστεί ζημιά με διαφορετικό τρόπο.
	Συνεχές ρεύμα



	Διάτρηση χωρίς κρούση
	Διάτρηση με κρούση (κρουστική διάτρηση)
	Κατηγορία προστασίας II (διπλής μόνωσης)
$n_0$	Ονομαστικός αριθμός στροφών χωρίς φορτίο
/min	Στροφές ανά λεπτό

#### 1.4 Πληροφορίες προϊόντος

Τα προϊόντα της προορίζονται για τον επαγγελματία χρήστη και ο χειρισμός, η συντήρηση και η επισκευή τους επιτρέπεται μόνο από εξουσιοδοτημένο, ενημερωμένο προσωπικό. Το προσωπικό αυτό πρέπει να έχει ενημερωθεί ειδικά για τους κινδύνους που ενδέχεται να παρουσιαστούν. Από το προϊόν και τα βοηθητικά του μέσα ενδέχεται να προκληθούν κίνδυνοι, όταν ο χειρισμός τους γίνεται με ακατάλληλο τρόπο από μη εκπαιδευμένο προσωπικό ή όταν δεν χρησιμοποιούνται με κατάλληλο τρόπο.

Η περιγραφή τύπου και ο αριθμός σειράς αναγράφονται στην πινακίδα τύπου.

- ▶ Αντιγράψτε τον αριθμό σειράς στον ακόλουθο πίνακα. Θα χρειαστείτε τα στοιχεία προϊόντος για ερωτήματα προς την αντιπροσωπεία μας ή το σέρβις μας.

##### Στοιχεία προϊόντος

Δραπανοκαταβίδο	SF 6-A22   SF 6H-A22
Γενιά	02
Αρ. σειράς	

#### 1.5 Δήλωση συμμόρφωσης

Δηλώνουμε ως μόνοι υπεύθυνοι, ότι το προϊόν που περιγράφεται εδώ συμφωνεί με τις ισχύουσες οδηγίες και τα ισχύοντα πρότυπα. Ένα αντίγραφο της δήλωσης συμμόρφωσης υπάρχει στο τέλος αυτής της τεκμηρίωσης. Τα έγγραφα τεχνικής τεκμηρίωσης υπάρχουν εδώ:

Hilti Entwicklungsgesellschaft mbH | Zulassung Geräte | Hiltistraße 6 | 86916 Kaufering, DE

## 2 Ασφάλεια

### 2.1 Γενικές υποδείξεις για την ασφάλεια για ηλεκτρικά εργαλεία

**⚠ ΠΡΟΕΙΔΟΠΟΙΗΣΗ Διαβάστε όλες τις υποδείξεις ασφαλείας, τις οδηγίες, τις εικόνες και τα τεχνικά χαρακτηριστικά τα οποία υπάρχουν σε αυτό το ηλεκτρικό εργαλείο.** Η παράβλεψη των ακόλουθων οδηγιών μπορεί να προκαλέσει ηλεκτροπληξία, πυρκαγιά και/ή σοβαρούς τραυματισμούς.

**Φυλάξτε όλες τις υποδείξεις για την ασφάλεια και τις οδηγίες για μελλοντική χρήση.**

Ο όρος "ηλεκτρικό εργαλείο" που χρησιμοποιείται στις υποδείξεις για την ασφάλεια αναφέρεται σε ηλεκτρικά εργαλεία που λειτουργούν συνδεδεμένα τα στο ηλεκτρικό δίκτυο (με καλώδιο τροφοδοσίας) και σε ηλεκτρικά εργαλεία που λειτουργούν με επαναφορτιζόμενες μπαταρίες (χωρίς καλώδιο τροφοδοσίας).

#### Ασφάλεια χώρου εργασίας

- ▶ Διατηρείτε το χώρο εργασίας σας καθαρό και με καλό φωτισμό. Η αταξία στο χώρο εργασίας και οι μη φωτισμένες περιοχές μπορεί να οδηγήσουν σε ατυχήματα.
- ▶ Μην εργάζεστε με το ηλεκτρικό εργαλείο σε περιβάλλον επικίνδυνο για εκρήξεις, στο οποίο υπάρχουν εύφλεκτα υγρά, αέρια ή σκόνη. Από τα ηλεκτρικά εργαλεία δημιουργούνται σπινθήρες, οι οποίοι μπορεί να αναφλέξουν τη σκόνη ή τις αναθυμιάσεις.
- ▶ Κατά τη χρήση του ηλεκτρικού εργαλείου κρατάτε μακριά τα παιδιά και άλλα πρόσωπα. Εάν σας αποσπάσουν την προσοχή, μπορεί να χάσετε τον έλεγχο του εργαλείου.

#### Ηλεκτρική ασφάλεια

- ▶ Το φως σύνδεσης του ηλεκτρικού εργαλείου πρέπει να ταιριάζει στην πρίζα. Δεν επιτρέπεται σε καμία περίπτωση η μετατροπή του φως. Μην χρησιμοποιείτε αντάπτορες φως μαζί με γειωμένα ηλεκτρικά εργαλεία. Τα φως που δεν έχουν υποστεί μετατροπές και οι κατάλληλες πρίζες μειώνουν τον κίνδυνο ηλεκτροπληξίας.
- ▶ Αποφεύγετε την επαφή του σώματος με γειωμένες επιφάνειες, όπως σωλήνες, καλοριφέρ, ηλεκτρικές κουζίνες και ψυγεία. Υπάρχει αυξημένος κίνδυνος ηλεκτροπληξίας, όταν το σώμα σας είναι γειωμένο.



- ▶ **Μην εκθέτετε τα ηλεκτρικά εργαλεία σε βροχή ή σε υγρασία.** Η εισχώρηση νερού στο ηλεκτρικό εργαλείο αυξάνει τον κίνδυνο ηλεκτροπληξίας.
- ▶ **Μην χρησιμοποιείτε το καλώδιο σύνδεσης για να μεταφέρετε ή να αναρτήσετε το ηλεκτρικό εργαλείο ή για να τραβήξετε το φως από την πρίζα.** Κρατάτε το καλώδιο σύνδεσης μακριά από υψηλές θερμοκρασίες, λάδια, αιχμηρές ακμές ή κινούμενα μέρη. Τα ελαττωματικά ή τα περιστραμμένα καλώδια σύνδεσης αυξάνουν τον κίνδυνο ηλεκτροπληξίας.
- ▶ **Όταν εργάζεστε με το ηλεκτρικό εργαλείο σε υπαίθριους χώρους, χρησιμοποιείτε μόνο καλώδια προέκτασης (μπαλαντέζες), που είναι κατάλληλα για χρήση σε εξωτερικούς χώρους.** Η χρήση ενός καλωδίου προέκτασης κατάλληλου για χρήση σε υπαίθριους χώρους μειώνει τον κίνδυνο ηλεκτροπληξίας.
- ▶ **Εάν δεν μπορεί να αποφευχθεί η λειτουργία του ηλεκτρικού εργαλείου σε περιβάλλον με υγρασία, χρησιμοποιήστε αυτόματο ρελέ.** Η χρήση ενός αυτόματου ρελέ μειώνει τον κίνδυνο ηλεκτροπληξίας.

#### Ασφάλεια προσώπων

- ▶ **Να είσαστε πάντα προσεκτικοί, να προσέχετε τι κάνετε και να εργάζεστε με το ηλεκτρικό εργαλείο με περίσκεψη.** Μην χρησιμοποιείτε ηλεκτρικά εργαλεία, όταν είστε κουρασμένοι ή όταν βρίσκεστε υπό την επήρεια ναρκωτικών ουσιών, οινοπνεύματος ή φαρμάκων. Μία στιγμή απροσεξίας κατά τη χρήση του ηλεκτρικού εργαλείου μπορεί να οδηγήσει σε σοβαρούς τραυματισμούς.
- ▶ **Φοράτε προσωπικό εξοπλισμό προστασίας και πάντα προστατευτικά γυαλιά.** Φορώντας προσωπικό εξοπλισμό προστασίας, όπως μάσκα προστασίας από τη σκόνη, αντιολισθητικά υποδήματα ασφαλείας, προστατευτικό κράνος ή ωτοασπίδες, ανάλογα με το είδος και τη χρήση του ηλεκτρικού εργαλείου, μειώνεται ο κίνδυνος τραυματισμών.
- ▶ **Αποφεύγετε την ακούσια θέση σε λειτουργία του εργαλείου.** Βεβαιωθείτε ότι είναι απενεργοποιημένο το ηλεκτρικό εργαλείο, πριν το συνδέσετε στην παροχή ρεύματος και/ή πριν τοποθετήσετε την μπαταρία και πριν το μεταφέρετε. Εάν μεταφέροντας το ηλεκτρικό εργαλείο έχετε το δάκτυλό σας στον διακόπτη ή συνδέσετε το εργαλείο στο ρεύμα ενώ ο διακόπτης είναι στο ON, μπορεί να προκληθούν ατυχήματα.
- ▶ **Απομακρύνετε τα εργαλεία ρύθμισης ή τα κλειδιά από το ηλεκτρικό εργαλείο, πριν το θέσετε σε λειτουργία.** Ένα εργαλείο ή κλειδί που βρίσκεται σε κάποιο περιστρεφόμενο εξάρτημα του ηλεκτρικού εργαλείου, μπορεί να προκαλέσει τραυματισμούς.
- ▶ **Αποφύγετε τις αφύσικες στάσεις του σώματος.** Φροντίστε για την ασφαλή στήριξη του σώματός σας και διατηρείτε πάντα την ισορροπία σας. Έτσι μπορείτε να ελέγχετε καλύτερα το ηλεκτρικό εργαλείο σε μη αναμενόμενες καταστάσεις.
- ▶ **Φοράτε κατάλληλα ρούχα.** Μην φοράτε φαρδιά ρούχα ή κοσμήματα. Κρατάτε τα μαλλιά, τα ρούχα και τα γάντια μακριά από περιστρεφόμενα εξαρτήματα. Τα φαρδιά ρούχα, τα κοσμήματα ή τα μακριά μαλλιά μπορεί να παγιδευτούν από περιστρεφόμενα εξαρτήματα.
- ▶ **Εάν υπάρχει η δυνατότητα σύνδεσης συστημάτων αναρρόφησης και συλλογής σκόνης, βεβαιωθείτε ότι είναι συνδεδεμένα και ότι χρησιμοποιούνται σωστά.** Η χρήση συστήματος αναρρόφησης σκόνης μπορεί να μειώσει τους κινδύνους που προέρχονται από τη σκόνη.
- ▶ **Μην εκτιμάτε λάθος την ασφάλεια και μην παραβλέπετε τους κανόνες ασφαλείας για ηλεκτρικά εργαλεία, ακόμη και όταν, μετά από πολλές χρήσεις, έχετε εξοικειωθεί με το ηλεκτρικό εργαλείο.** Από απρόσεκτες ενέργειες μπορούν να προκληθούν σοβαροί τραυματισμοί εντός κλάσματος δευτερολέπτου.

#### Χρήση και αντιμετώπιση του ηλεκτρικού εργαλείου

- ▶ **Μην υπερφορτίζετε το εργαλείο.** Χρησιμοποιείτε για την εργασία σας το ηλεκτρικό εργαλείο που προορίζεται για αυτήν. Με το κατάλληλο ηλεκτρικό εργαλείο εργάζεστε καλύτερα και με μεγαλύτερη ασφάλεια στην αναφερόμενη περιοχή ισχύος.
- ▶ **Μην χρησιμοποιείτε ποτέ ένα ηλεκτρικό εργαλείο, ο διακόπτης του οποίου είναι χαλασμένος.** Ένα ηλεκτρικό εργαλείο το οποίο δεν μπορεί να τεθεί πλέον σε λειτουργία ή εκτός λειτουργίας είναι επικίνδυνο και πρέπει να επισκευαστεί.
- ▶ **Αποσυνδέστε το φως από την πρίζα και/ή απομακρύνετε μια αποσπώμενη μπαταρία πριν διεξάγετε ρυθμίσεις στο εργαλείο, αντικαταστήσετε κάποιο αξεσουάρ ή αποθηκεύσετε το εργαλείο.** Αυτό το προληπτικό μέτρο ασφαλείας αποτρέπει την ακούσια εκκίνηση του ηλεκτρικού εργαλείου.
- ▶ **Φυλάτε τα ηλεκτρικά εργαλεία που δεν χρησιμοποιείτε μακριά από παιδιά.** Μην αφήνετε να χρησιμοποιήσουν το εργαλείο άτομα που δεν είναι εξοικειωμένα με αυτό ή που δεν έχουν διαβάσει αυτές τις οδηγίες χρήσης. Τα ηλεκτρικά εργαλεία είναι επικίνδυνα, όταν χρησιμοποιούνται από άπειρα πρόσωπα.
- ▶ **Φροντίζετε σχολαστικά τα ηλεκτρικά εργαλεία και τα αξεσουάρ.** Ελέγχετε, εάν τα κινούμενα μέρη λειτουργούν άψογα και δεν μπλοκάρουν, εάν έχουν σπάσει κάποια εξαρτήματα ή έχουν υποστεί τέτοια ζημιά ώστε να επηρεάσετε αρνητικά η λειτουργία του ηλεκτρικού εργαλείου. Δώστε τα χαλασμένα εξαρτήματα για επισκευή πριν χρησιμοποιήσετε ξανά το εργαλείο. Πολλά ατυχήματα οφείλονται σε κακά συντηρημένα ηλεκτρικά εργαλεία.



- ▶ Διατηρείτε τα εξαρτήματα κοπής αιχμηρά και καθαρά. Τα σχολαστικά συντηρημένα εξαρτήματα κοπής με αιχμηρές ακμές κολλάνε σπανιότερα και καθοδηγούνται με μεγαλύτερη ευκολία.
- ▶ Χρησιμοποιείτε το ηλεκτρικό εργαλείο, τα αξεσουάρ, τα εργαλεία ρύθμισης κτλ. σύμφωνα με τις παρούσες οδηγίες. Λαμβάνετε ταυτόχρονα υπόψη τις συνθήκες εργασίας και την προς εκτέλεση εργασία. Η χρήση ηλεκτρικών εργαλείων για εργασίες διαφορετικές από τις προβλεπόμενες μπορεί να οδηγήσει σε επικίνδυνες καταστάσεις.
- ▶ Διατηρείτε τις λαβές και επιφάνειες συγκράτησης στεγνές, καθαρές και απαλλαγμένες από λάδια και γράσα. Οι ολισθηρές λαβές και επιφάνειες συγκράτησης δεν επιτρέπουν ασφαλή χειρισμό και έλεγχο του ηλεκτρικού εργαλείου σε απρόβλεπτες καταστάσεις.

#### Χρήση και αντιμετώπιση του επαναφορτιζόμενου εργαλείου

- ▶ Φορτίζετε τις μπαταρίες μόνο με φορτιστές που προτείνονται από τον κατασκευαστή. Υπάρχει κίνδυνος πυρκαγιάς σε φορτιστές που είναι κατάλληλοι για ένα συγκεκριμένο είδος μπαταριών, όταν χρησιμοποιούνται με άλλες μπαταρίες.
- ▶ Χρησιμοποιείτε μόνο τις προβλεπόμενες για τα ηλεκτρικά εργαλεία επαναφορτιζόμενες μπαταρίες. Η χρήση άλλων μπαταριών μπορεί να προκαλέσει τραυματισμούς και κίνδυνο πυρκαγιάς.
- ▶ Κρατήστε τις μπαταρίες που δεν χρησιμοποιείτε μακριά από συνδετήρες, κέρματα, κλειδιά, καρφιά, βίδες και άλλα μεταλλικά μικροαντικείμενα, που θα μπορούσαν να προκαλέσουν γεφύρωση των επαφών. Ένα βραχυκύκλωμα μεταξύ των επαφών της μπαταρίας μπορεί να έχει ως συνέπεια εγκαύματα ή πυρκαγιά.
- ▶ Σε περίπτωση λανθασμένης χρήσης μπορούν να διαρρεύσουν υγρά από την μπαταρία. Αποφεύγετε κάθε είδους επαφή. Σε περίπτωση ακούσιας επαφής, ξεπλύνετε με νερό. Εάν τα υγρά έρθουν σε επαφή με τα μάτια σας, επισκεφθείτε επιπρόσθετα ένα γιατρό. Τα υγρά της μπαταρίας ενδέχεται να προκαλέσουν ερεθισμούς ή εγκαύματα στο δέρμα.
- ▶ Μην χρησιμοποιείτε μπαταρίες που έχουν υποστεί ζημιά ή έχουν υποστεί μετατροπές. Οι μπαταρίες που έχουν υποστεί ζημιά ή μετατροπές μπορεί να συμπεριφερθούν απρόβλεπτα και να προκαλέσουν φωτιά, έκρηξη ή κίνδυνο τραυματισμού.
- ▶ Μην εκθέτετε την μπαταρία σε φωτιά ή σε πολύ υψηλές θερμοκρασίες. Η φωτιά ή οι θερμοκρασία άνω των 130 °C (265 °F) μπορεί να προκαλέσει έκρηξη.
- ▶ Ακολουθήστε όλες τις οδηγίες για τη φόρτιση και μην φορτίζετε την μπαταρία ή το επαναφορτιζόμενο εργαλείο ποτέ εκτός του εύρους θερμοκρασιών που αναφέρεται στο παρόν γχειρίδιο οδηγιών χρήσης. Η λανθασμένη φόρτιση ή η φόρτιση εκτός του επιτρεπόμενου εύρους θερμοκρασίας μπορεί να καταστρέψει την μπαταρία και να αυξήσει τον κίνδυνο πυρκαγιάς.

#### Σέρβις

- ▶ Αναθέτετε την επισκευή του ηλεκτρικού εργαλείου μόνο σε κατάλληλο εξειδικευμένο προσωπικό με χρήση μόνο γνήσιων ανταλλακτικών. Με αυτόν τον τρόπο διασφαλίζεται ότι θα διατηρηθεί η ασφάλεια του εργαλείου.
- ▶ Μην συντηρείτε ποτέ μπαταρίες που έχουν υποστεί ζημιά. Κάθε συντήρηση μπαταριών θα πρέπει να πραγματοποιείται μόνο από τον κατασκευαστή ή από εξουσιοδοτημένα σέρβις.

## 2.2 Υποδείξεις ασφαλείας για δράπανα

#### Υποδείξεις ασφαλείας για όλες τις εργασίες

- ▶ Φοράτε ωτασπίδες κατά την κρουστική διάτρηση. Η επίδραση του θορύβου μπορεί να προκαλέσει απώλεια ακοής.
- ▶ Χρησιμοποιήστε την πρόσθετη χειρολαβή. Η απώλεια του ελέγχου μπορεί να προκαλέσει τραυματισμούς.
- ▶ Κρατάτε το ηλεκτρικό εργαλείο από τις μονωμένες επιφάνειες συγκράτησης, όταν εκτελείτε εργασίες κατά τις οποίες το εξάρτημα που χρησιμοποιείτε ή οι βίδες ενδέχεται να έρθουν σε επαφή με καλυμμένα ηλεκτρικά καλώδια. Η επαφή με καλώδιο που βρίσκεται υπό τάση μπορεί να θήσει υπό τάση ακόμη και τα μεταλλικά μέρη του εργαλείου και να προκαλέσει ηλεκτροπληξία.

#### Υποδείξεις ασφαλείας σε περίπτωση χρήσης τρυπανιών μεγάλου μήκους

- ▶ Μην εργάζεστε σε καμία περίπτωση με υψηλότερο αριθμό στροφών από τον μέγιστο επιτρεπόμενο αριθμό στροφών για το τρυπάνι. Σε υψηλότερους αριθμούς στροφών μπορεί να λυγίσει ελαφρώς το τρυπάνι, όταν μπορεί να περιστραφεί ελεύθερα χωρίς επαφή με το κατεργαζόμενο αντικείμενο και να προκληθούν τραυματισμοί.
- ▶ Αρχίστε τη διαδικασία διάτρησης πάντα με χαμηλό αριθμό στροφών και ενώ το τρυπάνι είναι σε επαφή με το κατεργαζόμενο αντικείμενο. Σε υψηλότερους αριθμούς στροφών μπορεί να λυγίσει ελαφρώς το τρυπάνι, όταν μπορεί να περιστραφεί ελεύθερα χωρίς επαφή με το κατεργαζόμενο αντικείμενο και να προκληθούν τραυματισμοί.



- ▶ **Μην ασκείτε υπερβολική πίεση και μόνο σε διαμήκη κατεύθυνση προς το τρυπάνι.** Τα τρυπάνια μπορούν να λυγίσουν και επομένως να σπάσουν ή να προκαλέσουν απώλεια του ελέγχου και τραυματισμούς.

#### Υποδείξεις ασφαλείας σε περίπτωση χρήσης αναδευτήρων

- ▶ **Ενεργοποιείτε ή απενεργοποιείτε το ηλεκτρικό εργαλείο μόνο, όταν ο αναδευτήρας βρίσκεται μέσα στο προς ανάμιξη υλικό.** Διαφορετικά μπορεί να προκληθεί απώλεια του ελέγχου και επομένως κίνδυνος τραυματισμού.

### 2.3 Πρόσθετες υποδείξεις για την ασφάλεια για κατασβίδια

#### Ασφάλεια προσώπων

- ▶ Χρησιμοποιείτε το προϊόν και τα αξεσουάρ μόνο σε τεχνικά άφογη κατάσταση.
- ▶ Μην πραγματοποιείτε ποτέ παραποιήσεις ή μετατροπές στο προϊόν ή σε αξεσουάρ.
- ▶ Χρησιμοποιείτε τις πρόσθετες χειρολαβές που παραλάβατε μαζί με το προϊόν. Η απώλεια του ελέγχου μπορεί να προκαλέσει τραυματισμούς.
- ▶ Συγκρατείτε το προϊόν πάντα και με τα δύο χέρια από τις προβλεπόμενες χειρολαβές. Διατηρείτε τις χειρολαβές στεγνές και καθαρές.
- ▶ Αποφύγετε να ακουμπάτε περιστρεφόμενα εξαρτήματα - Κίνδυνος τραυματισμού!
- ▶ Φοράτε κατά τη χρήση του προϊόντος κατάλληλα προστατευτικά γυαλιά, προστατευτικό κράνος, ωτοασπίδες και ελαφριά μάσκα αναπνοής.
- ▶ Φοράτε προστατευτικά γάντια κατά την αντικατάσταση εξαρτημάτων. Η επαφή με το εξάρτημα μπορεί να προκαλέσει τραυματισμό από κοπή και εγκαύματα.
- ▶ Χρησιμοποιείτε προστατευτικά γυαλιά. Τα θραύσματα του υλικού μπορεί να προκαλέσουν τραυματισμούς στο σώμα και στα μάτια.
- ▶ Η σκόνη, η οποία σχηματίζεται κατά τη λείανση, το γυαλοχαρτάρισμα, την κοπή και τη διάτρηση ενδέχεται να περιέχει επικίνδυνες χημικές ουσίες. Ορισμένα παραδείγματα είναι: Μόλυβδος ή χρώματα με βάση μόλυβδο, Τούβλα, μπετόν και άλλα προϊόντα τοιχοποιίας, φυσικές πέτρες και άλλα προϊόντα που περιέχουν πυρίτιο, Συγκεκριμένα ξύλα, όπως δρυς, οξιά και χημικά επεξεργασμένα ξύλα, Αμιάντος ή υλικά που περιέχουν αμίαντο. Προσδιορίστε την έκθεση του χειριστή και των παρακείμενων προσώπων από την κατηγορία κινδύνου των υλικών, με τα οποία εργάζεστε. Λάβετε τα αναγκαία μέτρα για τη διατήρηση της έκθεσης σε ένα ασφαλές επίπεδο, όπως π.χ. χρησιμοποιώντας ένα σύστημα συλλογής σκόνης ή μια κατάλληλη μάσκα προστασίας της αναπνοής. Στα γενικά μέτρα για τη μείωση της έκθεσης ανήκουν τα εξής:
  - ▶ Εργασία σε μια περιοχή με καλό αερισμό,
  - ▶ Αποφυγή παρατεταμένης επαφής με σκόνη,
  - ▶ Καθοδήγηση σκόνης μακριά από το πρόσωπο και το σώμα,
  - ▶ Χρήση προστατευτικής ένδυσης και πλύσιμο των εκτεθειμένων περιοχών με νερό και σαπούνι.
- ▶ Κάνετε συχνά διαλείμματα και ασκήσεις για καλύτερη αιμάτωση των δακτύλων σας. Σε παρατεταμένη εργασία ενδέχεται να προκληθούν από έντονους κραδασμούς προβλήματα σε αιμοφόρα αγγεία ή στο νευρικό σύστημα στα δάχτυλα, στα χέρια ή στις αρθρώσεις των χεριών.

#### Ηλεκτρική ασφάλεια

- ▶ Ελέγξτε την περιοχή εργασίας πριν από την έναρξη της εργασίας για καλυμμένα ηλεκτρικά καλώδια, σωληνες αερίου και ύδρευσης. Από εξωτερικά μεταλλικά μέρη στο προϊόν μπορεί να προκληθεί ηλεκτροπληξία, ή έκρηξη, εάν κατά λάθος προκαλέσετε ζήμια σε ηλεκτρικό καλώδιο, σε σωλήνα αερίου ή σωλήνα νερού.

#### Επιμελής χειρισμός και χρήση ηλεκτρικών εργαλείων

- ▶ Απενεργοποιήστε αμέσως το προϊόν, όταν το εξάρτημα κολλήσει. Το προϊόν μπορεί να εκτραπεί προς το πλάι.
- ▶ Περιμένετε μέχρι να σταματήσει εντελώς το προϊόν πριν το αποθέσετε.

### 2.4 Επιμελής χειρισμός και χρήση επαναφορτιζόμενων μπαταριών

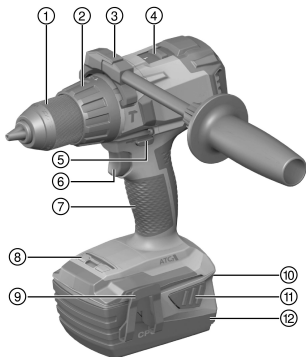
- ▶ Προσέξτε τις ειδικές οδηγίες για τη μεταφορά, την αποθήκευση και τη λειτουργία των επαναφορτιζόμενων μπαταριών Li-Ion.
- ▶ Κρατάτε τις επαναφορτιζόμενες μπαταρίες μακριά από υψηλές θερμοκρασίες, άμεση ηλιακή ακτινοβολία και φωτιά.
- ▶ Δεν επιτρέπεται να αποσυναρμολογείτε, να συμπιέζετε, να θερμαίνετε πάνω από τους 80°C (176°F) ή να καίτε τις επαναφορτιζόμενες μπαταρίες.



- ▶ Μην χρησιμοποιείτε και μην φορτίζετε επαναφορτιζόμενες μπαταρίες, που έχουν χτυπηθεί, έχουν πέσει από ύψος μεγαλύτερο του ενός μέτρου ή έχουν υποστεί άλλου είδους ζημιά. Επικοινωνείτε σε αυτή την περίπτωση πάντα με το **σέρβις** της **Hilti**.
- ▶ Εάν η μπαταρία καίει υπερβολικά όταν την ακουμπάτε, ενδέχεται να έχει υποστεί ζημιά. Τοποθετήστε την μπαταρία σε ένα σημείο στο οποίο έχετε ορατότητα, μη εύφλεκτο και με επαρκή απόσταση από εύφλεκτα υλικά. Αφήστε την επαναφορτιζόμενη μπαταρία να κρυώσει. Εάν η μπαταρία εξακολουθεί να καίει υπερβολικά μετά από μία ώρα όταν την ακουμπάτε, τότε έχει υποστεί ζημιά. Επικοινωνήστε με το **σέρβις** της **Hilti**.

### 3 Περιγραφή

#### 3.1 Συνοπτική παρουσίαση



- ① Ταχυστάκ
- ② Δακτύλιος ρύθμισης για ροπή και λειτουργία
- ③ Πλαϊνή χειρολαβή
- ④ Διακόπτης επιλογής ταχυτήτων
- ⑤ Διακόπτης εναλλαγής δεξιόστροφης/αριστερόστροφης λειτουργίας με φραγή ενεργοποίησης
- ⑥ Διακόπτης ελέγχου (με ηλεκτρονική ρύθμιση στροφών)
- ⑦ Χειρολαβή
- ⑧ Φωτισμός χώρου εργασίας
- ⑨ Άγκιστρο ζώνης (προαιρετικά)
- ⑩ Ένδειξη κατάστασης φόρτισης και βλαβών (επαναφορτιζόμενη μπαταρία Li-Ion)
- ⑪ Πλήκτρο απασφάλισης επαναφορτιζόμενης μπαταρίας
- ⑫ Επαναφορτιζόμενη μπαταρία

#### 3.2 Κατάλληλη χρήση

Το προϊόν που περιγράφεται είναι ένα επαναφορτιζόμενο δραπανοκατσάβιδο καθοδηγούμενο με το χέρι. Προορίζεται για το βίδωμα και ξεβίδωμα βιδών καθώς και για διάτρηση σε χάλυβα, ξύλο και πλαστικό, πορομπετόν και τοιχοποιία.

- ▶ Χρησιμοποιείτε για αυτό το προϊόν μόνο τις επαναφορτιζόμενες μπαταρίες Li-Ion της **Hilti** της σειράς τύπου B 22.
- ▶ Χρησιμοποιείτε για αυτές τις επαναφορτιζόμενες μπαταρίες μόνο τους φορτιστές **Hilti** της σειράς C4/36.

#### 3.3 Έκταση παράδοσης

Δραπανοκατσάβιδο, πλαϊνή χειρολαβή, οδηγίες χρήσης.

Περισσότερα, εγκεκριμένα για το προϊόν σας συστήματα θα βρείτε στο **Hilti Store** ή online στη διεύθυνση: [www.hilti.group](http://www.hilti.group) | ΗΠΑ: [www.hilti.com](http://www.hilti.com)

#### 3.4 Ένδειξη επαναφορτιζόμενης μπαταρίας Li-Ion

Η κατάσταση φόρτισης της επαναφορτιζόμενης μπαταρίας Li-Ion και οι βλάβες του εργαλείου υποδηλώνονται με την ένδειξη της επαναφορτιζόμενης μπαταρίας Li-Ion. Η κατάσταση φόρτισης της επαναφορτιζόμενης μπαταρίας Li-Ion εμφανίζεται πατώντας κάποιο από τα δύο πλήκτρα απασφάλισης μπαταρίας.

Κατάσταση	Σημασία
4 LED αναμμένα.	Κατάσταση φόρτισης: 75 % έως 100%
3 LED αναμμένα.	Κατάσταση φόρτισης: 50 % έως 75%
2 LED αναμμένα.	Κατάσταση φόρτισης: 25 % έως 50%
1 LED αναμμένο.	Κατάσταση φόρτισης: 10 % έως 25 %
1 LED αναβοσβήνει.	Κατάσταση φόρτισης: < 10 %



Κατάσταση	Σημασία
1 LED αναβοσβήνει, το εργαλείο δεν είναι σε ετοιμότητα λειτουργίας.	Η μπαταρία έχει υπερθερμανθεί ή έχει εκφορτιστεί τελείως.
4 LED αναβοσβήνουν, το εργαλείο δεν είναι σε ετοιμότητα λειτουργίας.	Το εργαλείο έχει υποστεί υπερφόρτωση ή υπερθέρμανση.



Όταν είναι πατημένος ο διακόπτης ελέγχου και έως και 5 δευτερόλεπτα αφού αφήσετε τον διακόπτη ελέγχου δεν είναι δυνατή η εμφάνιση της κατάστασης φόρτισης.

Όταν αναβοσβήνουν τα LED της ένδειξης της μπαταρίας, προσέξτε τις υποδείξεις στο κεφάλαιο Βοήθεια για προβλήματα.

### 3.5 ATC

Το προϊόν είναι εξοπλισμένο με την ηλεκτρονική γρήγορη απενεργοποίηση ATC (Active Torque Control). Εάν μπλοκάρει ή κολλήσει το εξάρτημα, το προϊόν περιστρέφεται ξαφνικά ανεξέλεγκτα προς την αντίθετη κατεύθυνση. Η λειτουργία ATC αναγνωρίζει αυτή την ξαφνική περιστροφική κίνηση του προϊόντος και απενεργοποιεί αμέσως το προϊόν.



Για τη σωστή λειτουργία πρέπει να μπορεί να περιστρέφεται το προϊόν.

Μετά από μια γρήγορη απενεργοποίηση, απενεργοποιήστε και ενεργοποιήστε ξανά το προϊόν.

### 3.6 Ένδειξη υπερφόρτωσης και υπερθέρμανσης

Το εργαλείο είναι εξοπλισμένο με ηλεκτρονική προστασία υπερφόρτωσης και υπερθέρμανσης. Σε περίπτωση υπερφόρτωσης ή υπερθέρμανσης, το εργαλείο απενεργοποιείται αυτόματα. Εάν αφήσετε ελεύθερο τον διακόπτη ελέγχου και τον πατήσετε ξανά, μπορεί να παρουσιαστούν καθυστερήσεις στην ενεργοποίηση (ενδιάμεσα στάδια για να κρυώσει το εργαλείο).

## 4 Τεχνικά χαρακτηριστικά

		SF 6-A22	SF 6H-A22
Όνομαστική τάση		21,6 V <sub>DC</sub>	21,6 V <sub>DC</sub>
Βάρος κατά EPTA Procedure 01 συμπερ. επαναφορτιζόμενης μπαταρίας B228.0		3,1 kg	3,1 kg
Αριθμός στροφών	1η ταχύτητα	0/min ... 490/min	0/min ... 490/min
	2η ταχύτητα	0/min ... 2.000/min	0/min ... 2.000/min
Ροπή (εύκολη βίδα) $\uparrow$		≤ 65 Nm	≤ 65 Nm
Αριθμός κρούσεων		*/•	36.000/min
Θερμοκρασία περιβάλλοντος κατά τη λειτουργία		-17 °C ... 60 °C	-17 °C ... 60 °C
Θερμοκρασία αποθήκευσης		-20 °C ... 70 °C	-20 °C ... 70 °C

### 4.1 Επαναφορτιζόμενη μπαταρία

Τάση λειτουργίας επαναφορτιζόμενης μπαταρίας	21,6 V
Θερμοκρασία περιβάλλοντος κατά τη λειτουργία	-17 °C ... 60 °C
Θερμοκρασία αποθήκευσης	-20 °C ... 40 °C
Θερμοκρασία μπαταρίας στην έναρξη φόρτισης	-10 °C ... 45 °C

### 4.2 Επιτρεπόμενη διάμετρος για εξαρτήματα

Ø Εύρος έκτασης ταχυτσόκ	1,5 mm ... 13 mm
Ø Τρυπάνι ξύλου (σκληρό)	1,5 mm ... 20 mm
Ø Τρυπάνι ξύλου (μαλακό)	1,5 mm ... 32 mm



<b>Ø Τρυπάνι μέταλλου</b>	1,5 mm ... 13 mm
<b>Ø Διάτρηση σε μπετόν/τοιχώ (κρουστική διάτρηση)</b>	4 mm ... 12 mm

### 4.3 Πληροφορίες θορύβου και τιμές κραδασμών κατά EN 62841

Οι αναφερόμενες στις παρούσες οδηγίες τιμές ηχητικής πίεσης και κραδασμών έχουν μετρηθεί σύμφωνα με μια τυποποιημένη μέθοδο μέτρησης και μπορούν να χρησιμοποιηθούν για τη σύγκριση μεταξύ ηλεκτρικών εργαλείων. Είναι επίσης κατάλληλες για πρόχειρη εκτίμηση των εκθέσεων.

Τα αναφερόμενα στοιχεία αντιπροσωπεύουν τις κύριες εφαρμογές του ηλεκτρικού εργαλείου. Εάν ωστόσο το ηλεκτρικό εργαλείο χρησιμοποιηθεί σε άλλες εφαρμογές, με διαφορετικά εξαρτήματα ή με ελλιπή συντήρηση, ενδέχεται να διαφέρουν τα στοιχεία. Το γεγονός αυτό μπορεί να αυξήσει σημαντικά τις εκθέσεις σε όλη τη διάρκεια του χρόνου εργασίας.

Για μια ακριβή εκτίμηση της έκθεσης θα πρέπει να συνυπολογίζονται και οι χρόνοι, στους οποίους είναι απενεργοποιημένο το εργαλείο ή λειτουργεί μιν, αλλά δεν χρησιμοποιείται πραγματικά. Το γεγονός αυτό μπορεί να μειώσει σημαντικά τις εκθέσεις σε όλη τη διάρκεια του χρόνου εργασίας.

Καθορίστε πρόσθετα μέτρα ασφαλείας για την προστασία του χρήστη από την επίδραση του θορύβου και/ή των κραδασμών, όπως για παράδειγμα: Συντήρηση ηλεκτρικού εργαλείου και εξαρτημάτων, διατήρηση χεριών σε κανονική θερμοκρασία, οργάνωση των σταδίων εργασίας.

#### Τιμές εκπομπής θορύβου

	SF 6-A22	SF 6H-A22
<b>Επίπεδο ηχητικής πίεσης (<math>L_{pA}</math>)</b>	78 dB(A)	91 dB(A)
<b>Ανακρίβεια επιπέδου ηχητικής πίεσης (<math>K_{pA}</math>)</b>	3 dB(A)	3 dB(A)
<b>Επίπεδο στάθμης ήχου (<math>L_{WA}</math>)</b>	89 dB(A)	102 dB(A)
<b>Ανακρίβεια επιπέδου στάθμης ήχου (<math>K_{WA}</math>)</b>	3 dB(A)	3 dB(A)

#### Συνολικές τιμές κραδασμών

	SF 6-A22	SF 6H-A22
<b>Τιμή κραδασμών για διάτρηση σε μέταλλο (<math>a_{h,D}</math>)</b>	1,4 m/s <sup>2</sup>	2,8 m/s <sup>2</sup>
<b>Ανακρίβεια Διάτρηση σε μέταλλο (K)</b>	1,5 m/s <sup>2</sup>	1,5 m/s <sup>2</sup>
<b>Τιμή κραδασμών Βιδώμα (<math>a_h</math>)</b>	0,8 m/s <sup>2</sup>	1,1 m/s <sup>2</sup>
<b>Ανακρίβεια βιδώματος (K)</b>	1,5 m/s <sup>2</sup>	1,5 m/s <sup>2</sup>
<b>Τιμή κραδασμών για κρουστική διάτρηση σε μπετόν (<math>a_{h,ID}</math>)</b>	*/•	15,4 m/s <sup>2</sup>
<b>Ανακρίβεια Κρουστική διάτρηση σε μπετόν (K)</b>	*/•	1,5 m/s <sup>2</sup>

## 5 Χειρισμός

### 5.1 Τοποθέτηση μπαταρίας

#### ΠΡΟΕΙΔΟΠΟΙΗΣΗ

#### Κίνδυνος τραυματισμού από βραχυκύκλωμα ή πτώση της μπαταρίας!

- ▶ Βεβαιωθείτε ότι δεν υπάρχουν ξένα αντικείμενα στις επαφές στην μπαταρία και στις επαφές στο προϊόν, πριν τοποθετήσετε την επαναφορτιζόμενη μπαταρία.
- ▶ Βεβαιωθείτε ότι η επαναφορτιζόμενη μπαταρία κουμπώνει πάντα σωστά.

1. Φορτίζετε πλήρως την μπαταρία πριν από την πρώτη θέση σε λειτουργία.
2. Εισάγετε την επαναφορτιζόμενη μπαταρία στο προϊόν, μέχρι να κουμπώσει με χαρακτηριστικό ήχο.
3. Βεβαιωθείτε ότι εδράζει καλά η μπαταρία.

### 5.2 Αφαίρεση επαναφορτιζόμενης μπαταρίας

1. Πατήστε τα πλήκτρα απασφάλισης της επαναφορτιζόμενης μπαταρίας.
2. Τραβήξτε την μπαταρία από το εργαλείο.

### 5.3 Φορτίστε την μπαταρία

1. Διαβάστε πριν από τη φόρτιση τις οδηγίες χρήσης του φορτιστή.





- Βεβαιωθείτε ότι οι επαφές της επαναφορτιζόμενης μπαταρίας και του φορτιστή είναι καθαρές και στεγνές.
- Φορτίστε την επαναφορτιζόμενη μπαταρία σε έναν εγκεκριμένο φορτιστή. → σελίδα 96

#### 5.4 Τοποθέτηση πλαϊνής χειρολαβής 2

##### ΠΡΟΣΟΧΗ

**Κίνδυνος τραυματισμού!** Απώλεια του ελέγχου του κρουστικού δράπανου.

- ▶ Βεβαιωθείτε ότι η πλαϊνή χειρολαβή έχει τοποθετηθεί και στερεωθεί σωστά. Βεβαιωθείτε ότι οι σφιγκτήρες εφαρμόζουν σωστά στις προβλεπόμενες εγκοπές.
- Ρυθμίστε τον διακόπτη εναλλαγής δεξιόστροφης/αριστερόστροφης λειτουργίας στη μεσαία θέση.
  - Περιστρέψτε τη λαβή, για να λύσετε τους σφιγκτήρες της πλαϊνής χειρολαβής.
  - Τοποθετήστε το στήριγμα της πλαϊνής χειρολαβής τελείως στο περίβλημα και ωθήστε τους σφιγκτήρες στις προβλεπόμενες εγκοπές.
  - Περιστρέψτε τη λαβή, για να σφίξετε το στήριγμα της πλαϊνής χειρολαβής.

#### 5.5 Τοποθέτηση άγκιστρου ζώνης (προαιρετικά) 3

##### ΠΡΟΕΙΔΟΠΟΙΗΣΗ

**Κίνδυνος τραυματισμού.** Ένα εργαλείο που πέφτει κάτω μπορεί να θέσει σε κίνδυνο εσάς και άλλους.

- ▶ Βεβαιωθείτε πριν από την έναρξη της εργασίας ότι είναι καλά στερεωμένο το άγκιστρο της ζώνης.



Με το άγκιστρο ζώνης μπορείτε να στερεώσετε το εργαλείο εφαρμοστά στη ζώνη σας. Το άγκιστρο ζώνης μπορεί να τοποθετηθεί για μεταφορά στη δεξιά και στην αριστερή πλευρά.

- Απομακρύνετε την μπαταρία. → σελίδα 98
- Τοποθετήστε το άγκιστρο ζώνης στην προβλεπόμενη οπή στο πόδι του προϊόντος.
- Στερεώστε το άγκιστρο ζώνης με τις δύο βίδες.
- Τοποθετήστε την επαναφορτιζόμενη μπαταρία. → σελίδα 98

#### 5.6 Τοποθέτηση υποδοχής για μύτες Hilti (προαιρετικά) 4

- Απομακρύνετε την μπαταρία. → σελίδα 98
- Τοποθετήστε την υποδοχή για μύτες δεξιά ή αριστερά στην προβλεπόμενη οπή στο πόδι του προϊόντος.
- Στερεώστε την υποδοχή για μύτες με τις δύο βίδες.
- Τοποθετήστε την επαναφορτιζόμενη μπαταρία. → σελίδα 98

#### 5.7 Τοποθέτηση ασφάλειας πτώσης Hilti (προαιρετικά) 5

##### ΠΡΟΣΟΧΗ

**Ζημιά του προϊόντος ή/και του σχοινιού πτώσης.** Από ακατάλληλο χειρισμό ενδέχεται να προκληθεί ζημιά του προϊόντος ή/και του σχοινιού πτώσης.

- ▶ Μην χρησιμοποιείτε μεταλλικές αλυσίδες ως σχοινί πτώσης. Μην χρησιμοποιείτε σχοινιά πτώσης με μήκος μεγαλύτερο από 2,0 m (6 ft).



Για την αποφυγή ζημιών προτείνεται, σε εργασίες σε ψηλά σημεία, η χρήση της ασφάλειας πτώσης της Hilti.

Η ασφάλεια πτώσης επιτρέπει τη στερέωση σχοινιών συγκράτησης/μάντων συγκράτησης.

Κατά την εργασία με το προϊόν, πρέπει να λαμβάνετε οπωσδήποτε υπόψη τις εθνικές οδηγίες για εργασίες σε ύψος.

- Απομακρύνετε την μπαταρία. → σελίδα 98
- Εισάγετε τις δύο γλωττίδες της ασφάλειας πτώσης στις σχισμές που υπάρχουν στις δύο πλευρές του ποδιού της συσκευής.
- Στερεώστε την ασφάλεια πτώσης με τις σχετικές βίδες.
- Τοποθετήστε την επαναφορτιζόμενη μπαταρία. → σελίδα 98



## 5.8 Επιλογή ταχύτητας

- ▶ Επιλέξτε την ταχύτητα.

## 5.9 Ρύθμιση δεξιόστροφης/αριστερόστροφης λειτουργίας

Ένας μηχανισμός φραγής αποτρέπει την εναλλαγή λειτουργίας όσο λειτουργεί το μοτέρ. Στη μεσαία θέση, ο διακόπτης ελέγχου είναι μπλοκαρισμένος (φραγή ενεργοποίησης).

- ▶ Ρυθμίστε τον διακόπτη εναλλαγής δεξιόστροφης/αριστερόστροφης λειτουργίας σε δεξιόστροφη ή αριστερόστροφη λειτουργία.

## 5.10 Τοποθέτηση/αφαίρεση εξαρτήματος

1. Φέρτε τον διακόπτη εναλλαγής δεξιόστροφης/αριστερόστροφης λειτουργίας στη μεσαία θέση ή αφαιρέστε την μπαταρία από το εργαλείο.
2. Ανοίξτε το ταχυτόκ.
3. Εισάγετε το εξάρτημα στο τσοκ ή αφαιρέστε το.
4. Σφίξτε το ταχυτόκ.
5. Βεβαιωθείτε ότι εδράζει καλά το εξάρτημα.

## 5.11 Διάτρηση

### ΠΡΟΣΟΧΗ

**Κίνδυνος τραυματισμού.** Το εξάρτημα μπορεί να κολλήσει ξαφνικά και έτσι να εκτραπεί λοξά το εργαλείο.

- ▶ Χρησιμοποιείτε το εργαλείο με την πλαϊνή χειρολαβή και συγκρατείτε το εργαλείο πάντα και με τα δύο χέρια.
- ▶ Πιάνετε την πλαϊνή χειρολαβή πάντα από την εξωτερική πλευρά.

### ΠΡΟΣΟΧΗ

**Κίνδυνος τραυματισμού.** Από το υπόστρωμα ενδέχεται να εξοστρακιστεί υλικό.

- ▶ Χρησιμοποιείτε προστατευτικά γυαλιά.
- ▶ Ρυθμίστε τον δακτύλιο ρύθμισης για τη ροπή και τη λειτουργία στο σύμβολο "Διάτρηση"

## 5.12 Κρουστική διάτρηση

SF 6H-A22

- ▶ Θέστε τον δακτύλιο ρύθμισης στη λειτουργία "Κρουστική διάτρηση"

## 5.13 Βίδωμα

- ▶ Ρυθμίστε με τον δακτύλιο ρύθμισης ροπής και λειτουργίας την απαραίτητη ροπή.

## 5.14 Ενεργοποίηση

- ▶ Πατήστε τον διακόπτη ελέγχου.
  - ▶ Ο αριθμός στροφών ρυθμίζεται αδιαβάθμητα από τον ελάχιστο μέχρι τον μέγιστο αριθμό στροφών.

## 5.15 Απενεργοποίηση

- ▶ Αφήστε ελεύθερο το διακόπτη ελέγχου.

## 6 Φροντίδα και συντήρηση

### ΠΡΟΕΙΔΟΠΟΙΗΣΗ

**Κίνδυνος τραυματισμού από τοποθετημένη μπαταρία !**

- ▶ Πριν από κάθε εργασία φροντίδας και συντήρησης αφαιρέστε πάντα την μπαταρία!



### Φροντίδα του προϊόντος

- Απομακρύνετε με προσοχή τους ρύπους που έχουν επικαθίσει.
- Εφόσον υπάρχουν, καθαρίζετε τις σχισμές αερισμού προσεκτικά με μια στεγνή, μαλακή βούρτσα.
- Καθαρίζετε το περίβλημα μόνο με ένα ελαφρώς βρεγμένο πανί. Μην χρησιμοποιείτε υλικά φροντίδας με περιεκτικότητα σε σιλικόνη, διότι ενδέχεται να προσβάλλουν τα πλαστικά μέρη.
- Χρησιμοποιήστε ένα καθαρό, στεγνό πανί, για να καθαρίσετε τις επαφές του προϊόντος.

### Φροντίδα επαναφορτιζόμενων μπαταριών Li-Ion

- Μην χρησιμοποιείτε ποτέ μια επαναφορτιζόμενη μπαταρία με βουλωμένες σχισμές αερισμού. Καθαρίζετε τις σχισμές αερισμού προσεκτικά με μια στεγνή, μαλακή βούρτσα.
- Αποφύγετε την άσκοπη έκθεση της επαναφορτιζόμενης μπαταρίας σε σκόνη ή ρύπους. Μην εκθέτετε ποτέ την επαναφορτιζόμενη μπαταρία σε μεγάλη υγρασία (π.χ. βύθιση σε νερό ή παραμονή σε βροχή). Εάν έχει βραχεί μια επαναφορτιζόμενη μπαταρία, αντιμετωπίστε την όπως μια μπαταρία που έχει υποστεί ζημιά. Απομονώστε τη σε ένα μη εύφλεκτο δοχείο και απευθυνθείτε στο σέρβις της **Hilti**.
- Διατηρείτε την άσκοπη φορτιζόμενη μπαταρία καθαρή από ξένα λάδια και γράσα. Μην επιτρέπετε να συγκεντρώνονται άσκοπα σκόνες ή ρύποι στην επαναφορτιζόμενη μπαταρία. Καθαρίζετε την επαναφορτιζόμενη μπαταρία με μια στεγνή, μαλακή βούρτσα ή ένα καθαρό, στεγνό πανί. Μην χρησιμοποιείτε υλικά φροντίδας με περιεκτικότητα σε σιλικόνη, διότι ενδέχεται να προσβάλλουν τα πλαστικά μέρη.  
Μην ακουμπάτε τις επαφές της επαναφορτιζόμενης μπαταρίας και μην απομακρύνετε από τις επαφές το εργοστασιακό γράσο.
- Καθαρίζετε το περίβλημα μόνο με ένα ελαφρώς βρεγμένο πανί. Μην χρησιμοποιείτε υλικά φροντίδας με περιεκτικότητα σε σιλικόνη, διότι ενδέχεται να προσβάλλουν τα πλαστικά μέρη.

### Συντήρηση

- Ελέγχετε τακτικά όλα τα ορατά μέρη για τυχόν ζημιές και την άψογη λειτουργία όλων των χειριστηρίων.
- Μην χρησιμοποιείτε το προϊόν σε περίπτωση ζημιών ή/και δυσλειτουργιών. Αναθέστε άμεσα την επισκευή του προϊόντος στο σέρβις της **Hilti**.
- Μετά από εργασίες φροντίδας και συντήρησης, τοποθετήστε όλα τα συστήματα προστασίας και ελέγξτε την απόρροια λειτουργία τους.



Για μια ασφαλή λειτουργία χρησιμοποιείτε μόνο γνήσια ανταλλακτικά και αναλώσιμα. Εγκεκριμένα από τη **Hilti** ανταλλακτικά, αναλώσιμα και αξεσουάρ για το προϊόν σας θα βρείτε στο πλησιέστερο **Hilti Store** ή στη διεύθυνση: [www.hilti.group](http://www.hilti.group)

## 7 Μεταφορά και αποθήκευση επαναφορτιζόμενων εργαλείων και επαναφορτιζόμενων μπαταριών

### Μεταφορά



#### ΠΡΟΣΟΧΗ

#### Ακούσια ενεργοποίηση κατά τη μεταφορά !

- ▶ Μεταφέρετε τα προϊόντα σας πάντα χωρίς τις μπαταρίες τοποθετημένες!
- ▶ Αφαιρέστε την/τις επαναφορτιζόμενες μπαταρίες.
- ▶ Μην μεταφέρετε επαναφορτιζόμενες μπαταρίες ποτέ χυδόν. Κατά τη μεταφορά θα πρέπει οι επαναφορτιζόμενες μπαταρίες να προστατεύονται από υπερβολικές κρούσεις και δονήσεις και να απομονώνονται από κάθε είδους αγωγίμα υλικά ή άλλες επαναφορτιζόμενες μπαταρίες, ώστε να μην έρθουν σε επαφή με άλλους πόλους μπαταριών και προκληθεί βραχυκύκλωμα. **Λάβετε υπόψη τις τοπικές προδιαγραφές μεταφοράς για επαναφορτιζόμενες μπαταρίες.**
- ▶ Δεν επιτρέπεται η αποστολή επαναφορτιζόμενων μπαταριών μέσω ταχυδρομείου. Απευθυνθείτε σε μια μεταφορική εταιρεία, όταν θέλετε να αποστείλετε άθικτες επαναφορτιζόμενες μπαταρίες.
- ▶ Ελέγχετε το προϊόν και τις επαναφορτιζόμενες μπαταρίες για τυχόν ζημιές πριν από κάθε χρήση καθώς και πριν και μετά από μεγαλύτερης διάρκειας μεταφορά.

### Αποθήκευση



#### ΠΡΟΕΙΔΟΠΟΙΗΣΗ

#### Ακούσια πρόκληση ζημιάς από ελαττωματικές μπαταρίες. !

- ▶ Αποθηκεύετε τα προϊόντα σας πάντα χωρίς τις μπαταρίες τοποθετημένες!
- ▶ Αποθηκεύετε τα προϊόν και τις επαναφορτιζόμενες μπαταρίες σε δροσερό και στεγνό χώρο. Προσέξτε τις οριακές τιμές θερμοκρασίας, που αναφέρονται στα τεχνικά χαρακτηριστικά.



- ▶ Μην φυλάτε επαναφορτιζόμενες μπαταρίες πάνω στον φορτιστή. Μετά τη διαδικασία φόρτισης, αφαιρείτε πάντα την επαναφορτιζόμενη μπαταρία από τον φορτιστή.
- ▶ Μην αποθηκεύετε ποτέ τις επαναφορτιζόμενες μπαταρίες στον ήλιο, πάνω σε πηγές θερμότητας ή πίσω από τζάμια.
- ▶ Αποθηκεύετε το προϊόν και τις επαναφορτιζόμενες μπαταρίες σε σημείο στο οποίο δεν έχουν πρόσβαση παιδιά και αναρμόδια άτομα.
- ▶ Ελέγχετε το προϊόν και τις επαναφορτιζόμενες μπαταρίες για τυχόν ζημιές πριν από κάθε χρήση καθώς και πριν και μετά από μεγαλύτερες διάρκειες αποθήκευσης.

## 8 Βοήθεια για προβλήματα

Σε βλάβες που δεν αναφέρονται σε αυτόν τον πίνακα ή δεν μπορείτε να αποκαταστήσετε μόνοι σας, απευθυνθείτε στο σέρβις της **Hilti**.

### 8.1 Βοήθεια για προβλήματα

Βλάβη	Πιθανή αιτία	Λύση
Το δραπανοκατσάβιδο δεν λειτουργεί.	Η μπαταρία δεν έχει τοποθετηθεί σωστά.	▶ Τοποθετήστε την επαναφορτιζόμενη μπαταρία. → σελίδα 98
	Η μπαταρία είναι αποφορτισμένη.	▶ Αντικαταστήστε την μπαταρία και φορτίστε την άδεια μπαταρία.
Αναβοσβήνουν και τα 4 LED. Το δραπανοκατσάβιδο δεν λειτουργεί.	Σύντομη υπερφόρτωση του δραπανοκατσάβιδου.	▶ Αφήστε ελεύθερο τον διακόπτη ελέγχου και πατήστε τον Ξανά.
	Προστασία υπερθέρμανσης	▶ Αφήστε το δραπανοκατσάβιδο να κρυώσει και καθαρίστε τις σχισμές αερισμού.
1 LED αναβοσβήνει. Το δραπανοκατσάβιδο δεν λειτουργεί.	Η μπαταρία είναι αποφορτισμένη.	▶ Αντικαταστήστε την μπαταρία και φορτίστε την άδεια μπαταρία.
	Η μπαταρία είναι πολύ κρύα.	▶ Φέρτε την μπαταρία στην προτεινόμενη θερμοκρασία λειτουργίας.
	Η μπαταρία καίει υπερβολικά.	▶ Φέρτε την μπαταρία στην προτεινόμενη θερμοκρασία λειτουργίας.
SF 6H-A22 Δεν είναι δυνατή η κρουστική διάτρηση.	Η λειτουργία στον δακτύλιο ρύθμισης δεν είναι ρυθμισμένη σωστά.	▶ Θέστε τον δακτύλιο ρύθμισης στη λειτουργία "Κρουστική διάτρηση" <b>ΣΤ</b> .
Δεν υπάρχει η δυνατότητα πίεσης του διακόπτη ελέγχου ή έχει μπλοκάρει.	Ο διακόπτης εναλλαγής δεξιόστροφης/αριστερόστροφης λειτουργίας είναι στη μεσαία θέση (θέση μεταφοράς).	▶ Ρυθμίστε τον διακόπτη εναλλαγής δεξιόστροφης/αριστερόστροφης λειτουργίας σε δεξιόστροφη ή αριστερόστροφη λειτουργία. → σελίδα 100
Έντονη αύξηση θερμοκρασίας στο δραπανοκατσάβιδο ή στην μπαταρία.	Ηλεκτρική βλάβη	▶ Απενεργοποιήστε αμέσως το δραπανοκατσάβιδο, αφαιρέστε την επαναφορτιζόμενη μπαταρία και απευθυνθείτε στο σέρβις της <b>Hilti</b> .
	Το δραπανοκατσάβιδο έχει υπερφορτωθεί (υπέρβαση ορίου χρήσης).	▶ Ελέγξτε τη δική σας περίπτωση χρήσης.



## 9 Διάθεση στα απορρίμματα



### ΠΡΟΕΙΔΟΠΟΙΗΣΗ

**Κίνδυνος τραυματισμού από ακατάλληλη διάθεση στα απορρίμματα!** Κίνδυνοι για την υγεία από εερχόμενα αέρια ή υγρά.

- ▶ Μην αποστέλλετε επαναφορτιζόμενες μπαταρίες που έχουν υποστεί ζημιά!
- ▶ Καλύψτε τις συνδέσεις με ένα μη αγώγιμο υλικό, για να αποφύγετε βραχυκυκλώματα.
- ▶ Πετάξτε τις μπαταρίες έτσι ώστε να μην μπορούν να καταλήξουν στα χέρια παιδιών.
- ▶ Απορρίψτε την μπαταρία στο **Hilti Store** ή απευθυνθείτε στην αρμόδια επιχείρηση διάθεσης απορριμμάτων.



Τα προϊόντα της **Hilti** είναι κατασκευασμένα σε μεγάλο ποσοστό από ανακυκλώσιμα υλικά. Προϋπόθεση για την ανακύκλωσή τους είναι ο κατάλληλος διαχωρισμός των υλικών. Σε πολλές χώρες, η **Hilti** παραλαμβάνει το παλιό σας εργαλείο για ανακύκλωση. Απευθυνθείτε στο σέρβις της **Hilti** ή στον σύμβουλο πωλήσεων.



- ▶ Μην πετάτε τα ηλεκτρικά εργαλεία, της ηλεκτρονικές συσκευές και τις επαναφορτιζόμενες μπαταρίες στον κάδο οικιακών απορριμμάτων!

## 10 RoHS (οδηγία για τον περιορισμό της χρήσης επικίνδυνων ουσιών)

Στους ακόλουθους συνδέσμους θα βρείτε τον πίνακα επικίνδυνων ουσιών:

- SF 6-A22: [qr.hilti.com/r9370541](http://qr.hilti.com/r9370541)
- SF 6H-A22: [qr.hilti.com/r9370482](http://qr.hilti.com/r9370482)

Έναν σύνδεσμο για τον πίνακα RoHS θα βρείτε στο τέλος αυτής της τεκμηρίωσης ως κωδικό QR.

## 11 Εγγύηση κατασκευαστή

- ▶ Για ερωτήσεις σχετικά με τους όρους εγγύησης απευθυνθείτε στον τοπικό συνεργάτη της **Hilti**.

## Original kullanım kılavuzu

### 1 Dokümantasyon verileri

#### 1.1 Bu doküman için

- Çalıştırmadan önce bu dokümanı okuyunuz. Bu, güvenli çalışma ve arzasız kullanım için ön koşuldur.
- Bu dokümanda ve ürün üzerinde bulunan güvenlik ve uyarı bilgilerine dikkat ediniz.
- Kullanım kılavuzunu her zaman ürün üzerinde bulundurunuz ve ürünü sadece bu kılavuz ile birlikte başka kişilere veriniz.

#### 1.2 Resim açıklaması

##### 1.2.1 Uyarı bilgileri

Uyarı bilgileri, ürün ile çalışırken ortaya çıkabilecek tehlikelere karşı uyandır. Aşağıdaki uyarı metinleri kullanılır:



### TEHLİKE

#### TEHLİKE !

- ▶ Ağır vücut yaralanmalarına veya doğrudan ölüme sebep olabilecek tehlikeler için.



### İKAZ

#### İKAZ !

- ▶ Ağır yaralanmalara veya ölüme neden olabilecek tehlikeler için.



**DİKKAT**
**DİKKAT !**

► Vücut yaralanmalarına veya maddi hasarlara yol açabilecek olası tehlikeli durumlar için.

**1.2.2 Kullanım kılavuzundaki semboller**

Bu kullanım kılavuzunda aşağıdaki semboller kullanılmıştır:

	Kullanım kılavuzuna dikkat edilmelidir
	Kullanım uyarıları ve diğer gerekli bilgiler
	Geri dönüşümlü malzemeler ile çalışma
	Elektrikli aletleri ve aküleri evdeki çöplere atmayınız
	<b>Hilti</b> Lityum İyon akü
	<b>Hilti</b> Şarj cihazı

**1.2.3 Resimlerdeki semboller**

Resimlerde aşağıdaki semboller kullanılmıştır:

	Bu sayılar, kullanım kılavuzunun başlangıcındaki ilgili çizime atanmıştır.
	Numaralandırma, resimdeki çalışma adımlarının sırasını göstermektedir ve metindeki çalışma adımlarından farklı olabilir.
	Pozisyon numaraları <b>Genel bakış</b> resminde kullanılır ve <b>Ürüne genel bakış</b> bölümündeki açıklama numaralarına referans niteliğindedir.
	Bu işaret, ürün ile çalışırken dikkatinizi çekmek için koyulmuştur.

**1.3 Ürüne bağlı semboller**
**1.3.1 Üründeki semboller**

Üründe aşağıdaki semboller kullanılabilir:

	Ürün, iOS ve Android platformları ile uyumlu kablosuz veri aktarımını destekler.
	Kullanılan <b>Hilti</b> Lityum İyon akü tip serisi. <b>Usulüne uygun kullanım</b> bölümündeki bilgileri dikkate alınız.
	Lityum İyon akü
	Aküyü asla darbe aleti olarak kullanmayınız.
	Aküyü düşürmeyiniz. Darbe almış veya hasar görmüş bir aküyü kullanmayınız.
	Doğru akım
	Darbesiz delme
	Darbe ile delme (darbeli delme)
	Koruma sınıfı II (çift izolasyonlu)
	Ölçüm rölanti devir sayısı
	/min Dakika başına devir



## 1.4 Ürün bilgileri

**HILTI** ürünleri profesyonel kullanıcıların kullanımı için öngörülmüştür ve sadece yetkili personel tarafından kullanılabilir ve bakımı yapılabilir. Bu personel, meydana gelebilecek tehlikeler hakkında özel olarak eğitim görmüş olmalıdır. Aletin ve ilgili yardımcı gereçlerin eğitimsiz personel tarafından usulüne uygun olmayan şekilde kullanılması ve amaçları dışında çalıştırılması sonucu tehlikeli durumlar söz konusu olabilir. Tip tanımı ve seri numarası, tip plakası üzerinde belirtilmiştir.

- Seri numarasını aşağıdaki tabloya aktarınız. Ürün bilgileri acente veya servis merkezini aradığınızda sorulabilir.

### Ürün bilgileri

Delme/vidalama makinesi	SF 6-A22   SF 6H-A22
Nesil	02
Seri no.	

## 1.5 Uygunluk beyanı

Burada tanımlanan ürünün, geçerli yönetmeliklere ve normlara uygun olduğunu kendi sorumluluğumuzda beyan ederiz. Bu dokümantasyonun sonunda uygunluk beyanının bir kopyasını bulabilirsiniz.

Teknik dokümantasyonlar eklidir:

Hilti Entwicklungsgesellschaft mbH | Zulassung Geräte | Hiltistraße 6 | 86916 Kaufering, DE

## 2 Güvenlik

### 2.1 Elektrikli el aletleri için genel güvenlik uyarıları

**⚠ İKAZ Bu elektrikli el aletine yönelik tüm güvenlik uyarılarını, talimatları, resimli açıklamaları ve teknik verileri dikkatlice okuyunuz.** Aşağıdaki talimatlara uyulmaması durumunda elektrik çarpması, yangın ve/veya ağır yaralanmalar söz konusu olabilir.

**Tüm güvenlik uyarılarını ve kullanım talimatlarını muhafaza ediniz.**

Güvenlik uyarılarında kullanılan "Elektrikli el aleti terimi, şebeke işletimli elektrikli el aletleri (şebeke kablosu ile) veya akü işletimli elektrikli el aletleri (şebeke kablosu olmadan) ile ilgilidir.

#### İş yeri güvenliği

- **Çalışma alanınızı temiz ve aydınlık tutunuz.** Düzensiz veya aydınlatma olmayan çalışma alanları kazalara yol açabilir.
- **Yanıcı sıvıların, gazların veya tozların bulunduğu patlama tehlikesi olan yerlerde elektrikli el aleti ile çalışmayınız.** Elektrikli el aletleri, toz veya buharı yakabilecek kıvılcım oluşturur.
- **Elektrikli el aletini kullanırken çocukları ve diğer kişileri uzak tutunuz.** Dikkatiniz dağılırsa aletin kontrolünü kaybedebilirsiniz.

#### Elektrik güvenliği

- **Elektrikli el aletinin bağlantı fişi prize uygun olmalıdır. Fiş hiçbir şekilde değiştirilmemelidir. Adaptör fişini topraklama korumalı elektrikli el aletleri ile birlikte kullanmayınız.** Değiştirilmemiş fişler ve uygun prizler elektrik çarpması riskini azaltır.
- **Borular, radyatörler, fırınlar ve buzdolapları gibi toprağa temas eden üst yüzeylere vücudunuzla temas etmekten kaçınınız.** Vücudunuzun toprakla teması var ise yüksek bir elektrik çarpması riski söz konusudur.
- **Elektrikli el aletini yağmurdan veya ıslaklıktan uzak tutunuz.** Elektrikli el aletine su girmesi, elektrik çarpması riskini artırır.
- **Elektrikli el aletini taşımak, asmak veya fişi prizden çekmek için bağlantı kablosunu kullanım amacı dışında kullanmayınız. Bağlantı kablosunu sıcağtan, yağdan, keskin kenarlardan ve hareketli parçalardan uzak tutunuz.** Hasarlı veya dolanmış bağlantı kabloları elektrik çarpması riskini artırır.
- **Elektrikli bir el aleti ile açık alanda çalışacaksanız, sadece dışarıda kullanımına izin verilen uzatma kabloları kullanınız.** Dış mekanlar için uygun olan uzatma kablolarının kullanılması elektrik çarpması riskini azaltır.
- **Elektrikli el aleti işletiminin nemli ortamda yapılması kaçınılmaz ise bir kaçak akım koruma şalteri kullanınız.** Bir kaçak akım koruma şalterinin kullanımı elektrik çarpması riskini azaltır.

#### Kişilerin güvenliği

- **Dikkatli olunuz, ne yaptığınıza dikkat ediniz ve elektrikli el aleti ile mantıklı bir şekilde çalışınız.** Yorgunsanız veya uyuşturucu, alkol veya ilaç etkisi altında olduğunuzda elektrikli el aleti kullanmayınız. Elektrikli el aletini kullanırken bir anlık dikkatsizlik ciddi yaralanmalara neden olabilir.



- ▶ **Kişisel koruyucu donanım ve her zaman bir koruyucu gözlük takınız.** Elektrikli el aletinin türüne ve kullanımına göre toz maskesi, kaymayan güvenlik ayakkabısı, koruyucu kask veya kulaklık gibi kişisel koruyucu donanımların kullanılması yaralanma riskini azaltır.
- ▶ **İstem dışı çalışmayı önleyiniz. Güç kaynağına ve/veya aküyü bağlamadan, girişini yapmadan veya taşımadan önce elektrikli el aletinin kapalı olduğundan emin olunuz.** Elektrikli el aletini taşırken parmağınız şalterde ise veya alet açık konumda güç kaynağına takılırsa bu durum kazalara yol açabilir.
- ▶ **Elektrikli el aletini devreye almadan önce ayar aletlerini veya vidalama anahtarlarını çıkartınız.** Dönen bir alet parçasında bulunan bir alet veya anahtar yaralanmalara yol açabilir.
- ▶ **Aşın bir vücut hareketinden sakınınız. Güvenli bir duruş sağlayınız ve her zaman dengeli tutunuz.** Böylece beklenmedik durumlarda elektrikli el aletini daha iyi kontrol edebilirsiniz.
- ▶ **Uygun kıyafetler giyiniz. Bol kıyafetler giymeyiniz veya takı takmayınız. Saçları, kıyafetleri ve eldivenleri hareket eden parçalardan uzak tutunuz.** Bol kıyafetler, takı veya uzun saçlar hareket eden parçalara takılabilir.
- ▶ **Toz emme ve tutma tertibatları monte edilebiliyorsa bunların bağlı olduğundan ve doğru kullanıldığından emin olunuz.** Bu toz emme tertibatının kullanımı tozdan kaynaklanabilecek tehlikeleri azaltabilir.
- ▶ **Kendi güvenliğinizi riske atmayınız ve elektrikli el aletleri kullanımında son derece tecrübeli olanız bile ilgili güvenlik kurallarını ihlal etmeyiniz.** Dikkatsiz kullanım saniyeler içerisinde ciddi yaralanmalara neden olabilir.

#### Elektrikli el aletinin kullanımı ve çalıştırılması

- ▶ **Aleti çok fazla zorlamayın. Çalışması için uygun olan elektrikli el aletini kullanın.** Uygun elektrikli el aleti ile bildirilen hizmet alanında daha iyi ve güvenli çalışırsınız.
- ▶ **Şalteri bozuk olan elektrikli el aletini kullanmayınız.** Açılıp kapatılmayan bir elektrikli el aleti tehlikelidir ve tamir edilmesi gerekir.
- ▶ **Alet ayarlarını yapmadan, aksesuar parçalarını değiştirmeden veya aleti bir yere koymadan önce fişi prizden ve/veya (çıkarılabilir) aküyü aletten çıkarınız.** Bu önlem, elektrikli el aletinin istem dışı çalışmasını engeller.
- ▶ **Kullanılmayan elektrikli el aletlerini çocukların erişemeyeceği yerde muhafaza edin. Aleti iyi tanımayan veya bu talimatları okumamış kişilere aleti kullanırmayınız.** Elektrikli el aletleri bilgisiz kişiler tarafından kullanılırsa tehlikelidir.
- ▶ **Elektrikli el aletlerinin ve aksesuarlarının bakımını titizlikle yapınız. Hareketli parçaların kusursuz çalıştığı ve sıkışmadığı, parçaların kırılıp kırılmadığı veya hasar görüp görmediği, elektrikli el aleti fonksiyonlarının kısıtlanma durumlarını kontrol ediniz. Hasarlı parçaları aleti kullanmadan önce tamir ettiriniz.** Birçok kazanın nedeni bakımı kötü yapılan elektrikli el aletleridir.
- ▶ **Kesme aletlerini keskin ve temiz tutun.** Özenle bakımı yapılmış keskin bıçak kenarı olan kesme aletleri daha az sıkışır ve kullanımı daha rahattır.
- ▶ **Elektrikli el aletini, aksesuarları, ek aletleri vb. bu talimatlara göre kullanın. Çalışma şartlarını ve yapılacak işi de ayrıca göz önünde bulundurun.** Elektrikli el aletlerinin öngörülen kullanımı dışında kullanılması tehlikeli durumlara yol açabilir.
- ▶ **Tutamağı ve tutamak yüzeylerini daima temiz ve yağ ve gresten arındırılmış durumda tutunuz.** Kaygan tutamaklar ve tutamak yüzeyleri güvenli bir kullanımı ve öngörülemeden durumlarda elektrikli el aletinin kontrolünü engeller.

#### Akülü el aletinin kullanımı ve çalıştırılması

- ▶ **Aküleri sadece üretici tarafından tavsiye edilen şarj cihazları ile şarj ediniz.** Belirli bir akü için uygun olan bir şarj cihazı, başka akülerle kullanılırsa yanma tehlikesi vardır.
- ▶ **Elektrikli el aletlerinde sadece bunun için öngörülen aküler kullanılmalıdır.** Başka akülerin kullanılması yaralanmalara ve yanma tehlikelerine yol açabilir.
- ▶ **Kullanılmayan aküleri, kontakların köprülenmesine sebep olabilecek ataçlar, madeni paralar, anahtarlar, çiviler, vidalar veya diğer küçük metal cisimlerden uzak tutunuz.** Akü kontakları arasındaki kısa devre yanmalara veya alev oluşumuna sebep olabilir.
- ▶ **Yanlış kullanımda aküden sıvı çıkabilir. Bunlar ile teması önleyiniz. Yanlışlıkla temasta su ile durulayınız. Sıvı gözlere temas ederse ayrıca doktor yardımı isteyiniz.** Dışarı akan akü sıvısı cilt tahrişine ve yanmalarına yol açabilir.
- ▶ **Hasarlı veya değiştirilmiş aküleri kullanmayınız.** Hasarlı veya değiştirilmiş aküler öngörülemeden şekilde yangın, patlama veya yaralanma tehlikesi içeren tutumlara neden olabilir.
- ▶ **Aküleri açık ateş yakınına koymayınız veya yüksek sıcaklıklara maruz bırakmayınız.** Açık ateş veya 130°C'nin (265°F) üzerinde sıcaklıklar patlama tehlikesine neden olabilir.
- ▶ **Tüm şarj talimatlarına uyunuz ve aküyü veya akülü aleti kullanım kılavuzunda öngörülen sıcaklık aralığının dışında şarj etmeyiniz.** Hatalı şarj veya öngörülen sıcaklık aralığının dışındaki şarj işlemleri akünün zarar görmesine ve yangın tehlikesine neden olabilir.





## Servis

- ▶ **Elektrikli el aletinizi sadece kalifiye uzman personele ve sadece orijinal yedek parçalar ile tamir ettiriniz.** Böylece aletin güvenliğinin korunduğundan emin olunur.
- ▶ **Hasarlı akülere bakım yapmayınız.** Akülere yönelik tüm bakım çalışmaları sadece üretici veya yetkili müşteri hizmetleri tarafından yapılmalıdır.

## 2.2 Matkaplar için güvenlik uyarıları

### Tüm çalışmalara yönelik güvenlik uyarıları

- ▶ **Darbeli delme işlemi yaparken kulaklık takınız.** Aşırı sestten dolayı duyma kaybı meydana gelebilir.
- ▶ **İlave tutamağı kullanınız.** Kontrol kaybı yaralanmalara yol açabilir.
- ▶ **Ek aletin veya civataların gizli elektrik kablolarına temas edebileceği yerlerde çalışıyorsanız elektrikli el aletini izole edilmiş tutamak yüzeyinden tutunuz.** Elektrik ileten bir hat ile temasta metal parçalar da gerilim altında kalır ve elektrik çarpmasına neden olabilir.

### Uzun matkap ucu kullanımına yönelik güvenlik uyarıları

- ▶ **Asla matkap ucu için izin verilen devir sayısının üzerinde bir devir sayısı ile çalışmayınız.** Bunun üzerindeki devir sayılarında matkap ucu hafifçe bükülerek iş parçasına temas etmeden serbestçe dönebilir ve yaralanmalara neden olabilir.
- ▶ **Delme işlemine her zaman düşük devir sayısı ile başlayınız ve matkap ucunun iş parçasına temas etmesini bekleyiniz.** Bunun üzerindeki devir sayılarında matkap ucu hafifçe bükülerek iş parçasına temas etmeden serbestçe dönebilir ve yaralanmalara neden olabilir.
- ▶ **Aşırı baskı uygulamayınız ve sadece matkap ucuna göre uzunlamasına yönde baskı uygulayınız.** Matkap ucu bükülebilir, bu nedenle kırılabilir veya kontrolün kaybedilmesine ve yaralanmalara neden olabilir.

### Karıştırıcıların ve karıştırma pedallarının kullanımına yönelik güvenlik uyarıları

- ▶ **Elektrikli el aletini sadece, karıştırma sepeti karıştırılacak malzemenin içinde olduğunda açınız veya kapatınız.** Aksi takdirde kontrol kaybedilebilir ve yaralanma tehlikesi söz konusu olabilir.

## 2.3 Vidalama makinesi ek güvenlik uyarıları

### Kişilerin güvenliği

- ▶ Ürün ve aksesuarı sadece teknik açıdan sorunsuz durumda kullanınız.
- ▶ Ürün veya aksesuar üzerinde asla manipülasyon veya değişiklik yapılmamalıdır.
- ▶ Ürünle birlikte verilen ek tutamakları kullanınız. Kontrol kaybı yaralanmalara yol açabilir.
- ▶ Ürünü her zaman iki elinizle öngörülen tutamaklardan sıkıca tutunuz. Tutamakları kuru ve temiz tutunuz.
- ▶ Dönen parçalara temas etmekten kaçınınız - Yaralanma tehlikesi!
- ▶ Ürünün kullanımı sırasında standardına uygun koruyucu gözlük, koruyucu kask, kulaklık ve hafif solunum koruma maskesi kullanınız.
- ▶ Alet değişimi sırasında koruyucu eldiven takılmalıdır. Ek alete takılan uçlara dokunmak kesik ve yanık türünde yaralanmalara yol açabilir.
- ▶ Koruyucu gözlük kullanın. Etrafa sıçrayan malzeme vücudu ve gözleri yaralayabilir.
- ▶ Taşlama, zımparalama, kesme ve delme işlemleri sonucunda oluşan tozlar tehlikeli kimyasallar içerebilir. Bazı örnekler şunlardır: Kurşun temelli kurşun veya boya; Tuğla, beton ve diğer duvar ürünleri, doğal taş ve diğer silikat içeren ürünler; Meşe, kayın gibi belirli ahşaplar ve kimyasal işlem görmüş ahşap; Asbest veya asbest içerikli malzemeler. Çalışılan malzemenin tehlike sınıfına göre kullanıcının ve çevredeki kişilerin maruziyetini belirleyiniz. Maruziyeti güvenli bir seviyede tutmak için bir toz toplama sisteminin kullanımı veya uygun bir solunum koruma maskesinin kullanımı gibi gerekli önlemleri alınız. Maruziyeti azaltmaya yönelik genel önlemler aşağıdakilerdir:
  - ▶ İyi havalandırılan bir alanda çalışma,
  - ▶ Toz ile uzun süreli temastan kaçınma,
  - ▶ Yüz ve vücuttaki tozları giderme,
  - ▶ Koruyucu kıyafet kullanma ve maruz kalan alanları su ve sabunla yıkama.
- ▶ Parmaklarınızdaki kan dolaşımının daha iyi olması için sık sık molalar veriniz ve parmak egzersizleri yapınız. Uzun süren çalışmalarda yüksek titreşim, parmaklar, eller veya bileklerdeki sinir sisteminde veya kan damarlarında rahatsızlıklara neden olabilir.

### Elektrik güvenliği

- ▶ Çalışmaya başlamadan önce çalışma alanında üzeri örtülü elektrik kablosu, gaz ve su borusu bulunup bulunmadığını kontrol ediniz. Bir elektrik hattına, bir gaz veya su borusuna zarar verilmesi halinde, ürünün dışındaki metal parçalar elektrik çarpmasına veya patlamaya neden olabilir.



## Elektrikli el aletleri ile dikkatli çalışılması ve aletin doğru kullanılması

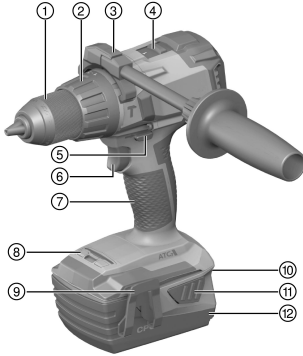
- ▶ Ek aletin bloke olması halinde ürünü derhal kapatınız. Ürün yana doğru kayabilir.
- ▶ Yere koymadan önce ürünün tamamen durmasını bekleyiniz.

### 2.4 Akülü aletlerin özenli çalıştırılması ve kullanımı

- ▶ Lityum İyon akülerin taşıma, depolama ve kullanımına yönelik özel talimatları dikkate alın.
- ▶ Aküler, yüksek sıcaklıklarda, doğrudan güneş ışığından ve ateşten uzak tutulmalıdır.
- ▶ Aküler parçalarına ayrılmamalı, ezilmemeli, 80°C (176°F) üzerine ısıtılmamalı veya yakılmamalıdır.
- ▶ Darbe almış, bir metreden daha yüksek bir yerden düşmüş veya başka bir şekilde hasar görmüş aküleri kullanmayınız veya şarj etmeyiniz. Bu durumda her zaman **Hilti servisi** ile irtibat kurunuz.
- ▶ Akü tutulamayacak kadar sıcaksa arızalı olabilir. Pili, yanıcı malzemelere yeterli mesafede, görünür ve yanıcı olmayan bir yere yerleştiriniz. Aküyü soğumaya bırakınız. Akü bir saat sonra hala dokunulamayacak kadar sıcaksa, arızalı demektir. **Hilti servisi** ile iletişim kurunuz.

## 3 Tanımlama

### 3.1 Genel bakış



- ① Anahtarsız mandren
- ② Tork ve fonksiyon için ayar halkası
- ③ Yan tutamak
- ④ Vites seçim şalteri
- ⑤ Çalıştırma kilidi olan sağa/sola dönüş değiştirme şalteri
- ⑥ Kumanda şalteri (elektronik devir sayısı kumandalı)
- ⑦ Tutamak
- ⑧ Çalışma alanı aydınlatması
- ⑨ Kemer kancası (opsiyonel)
- ⑩ Şarj durumu ve hata göstergesi (Lityum İyon akü)
- ⑪ Akü kilidi açma tuşu
- ⑫ Akü

### 3.2 Usulüne uygun kullanım

Tanımlanan ürün, elle kullanılan, aküyle çalışan bir delme/vidalama makinesidir. Çelik, ahşap ve plastik, hafif beton ve duvar yüzeylerdeki delme işleri ve civataların vidalanması ve sökülmesi için tasarlanmıştır.

- ▶ Bu ürün için sadece B 22 tip serisi **Hilti** Lityum İyon aküler kullanılmalıdır.
- ▶ Bu aküler için sadece C4/36 serisi **Hilti** şarj cihazları kullanınız.

### 3.3 Teslimat kapsamı

Delme/vidalama makinesi, yan tutamak, kullanım kılavuzu.

Ürünleriniz için izin verilen diğer sistem ürünlerini **Hilti Store** veya internetteki şu adreste bulabilirsiniz: [www.hilti.group](http://www.hilti.group) | USA: [www.hilti.com](http://www.hilti.com)

### 3.4 Lityum İyon akü göstergesi

Lityum İyon akülerin şarj durumu ve aletin arızaları Lityum İyon akülerin göstergesiyle görüntülenir. Lityum İyon akülerin şarj durumu, her iki kilit açma tuşuna hafifçe basarak görüntülenebilir.

Durum	Anlamı
4 LED yanıyor.	Şarj durumu: %75 ile %100 arası
3 LED yanıyor.	Şarj durumu: %50 ile %75 arası
2 LED yanıyor.	Şarj durumu: %25 ile %50 arası
1 LED yanıyor.	Şarj durumu: %10 ile %25 arası



Durum	Anlamı
1 LED yanıp sönüyor.	Şarj durumu: < %10
1 LED yanıp sönüyor, alet çalışmaya hazır değil.	Akü aşırı ısınmış veya tamamen boşalmış.
4 LED yanıp sönüyor, alet çalışmaya hazır değil.	Alet aşırı yüklü veya aşırı ısınmış.

**i** Kumanda şalterine basılıyken ve kumanda şalteri bırakıldıktan sonra 5 saniye içinde şarj durumu sorgusu yapmak mümkün değildir.  
Akü göstergesinin LED'leri yanıp söndüğünde lütfen Arızalar bölümündeki uyarıları dikkate alınız.

### 3.5 ATC

Ürün, elektronik hızlı kapatma donanımına ATC (Active Torque Control) sahiptir. Ek alet takılır veya sıkışır, ürün aniden kontrolsüz şekilde ters yönde dönmeye başlar. ATC, ürünün bu ani dönme hareketini algılar ve ürünü derhal kapatır.

**i** Usulüne uygun çalışma durumu için ürünün dönebilmesi gereklidir.  
Başarılı hızlı kapatmanın ardından, ürünü kapatınız ve tekrar açınız.

### 3.6 Aşırı yük ve aşırı ısınma göstergesi

Alet, elektronik bir aşırı zorlanma ve aşırı ısınma emniyetine sahiptir. Aşırı yüklenme ve aşırı ısınma durumunda alet otomatik olarak kapanır. Kumanda şalteri serbest bırakılıp tekrar basıldığında aletin çalışmasında gecikmeler (aletin soğuma kademeleri) olabilir.

## 4 Teknik veriler

	SF 6-A22	SF 6H-A22
Nominal gerilim	21,6 V <sub>DC</sub>	21,6 V <sub>DC</sub>
EPTA Procedure 01 uyarınca B228.0 akümülatör dahil ağırlık	3,1 kg	3,1 kg
Devir sayısı	1. vites	0 dev/dak ... 490 dev/dak
	2. vites	0 dev/dak ... 2.000 dev/dak
Sıkma torku (yumuşak vidalama durumu) $\frac{1}{2}$	≤ 65 Nm	≤ 65 Nm
Darbe sayısı	*/•	36.000 dev/dak
İşletim sırasındaki ortam sıcaklığı	-17 °C ... 60 °C	-17 °C ... 60 °C
Depolama sıcaklığı	-20 °C ... 70 °C	-20 °C ... 70 °C

### 4.1 Akü

Akü çalışma gerilimi	21,6 V
İşletim sırasındaki ortam sıcaklığı	-17 °C ... 60 °C
Depolama sıcaklığı	-20 °C ... 40 °C
Şarj başlangıcında akü sıcaklığı	-10 °C ... 45 °C

### 4.2 Ek aletler için izin verilen çap

Ø Anahtarsız mandren sıkma alanı	1,5 mm ... 13 mm
Ø Ahşap delim ucu (sert)	1,5 mm ... 20 mm
Ø Ahşap delim ucu (yumuşak)	1,5 mm ... 32 mm
Ø Metal delim ucu	1,5 mm ... 13 mm
Ø Beton/Duvar yüzeylerde delme (darbeli delme)	4 mm ... 12 mm



### 4.3 EN 62841 uyarınca ses bilgisi ve titreşim değerleri

Bu talimatlarda belirtilen ses basıncı ve titreşim değerleri, ilgili normlara uygun bir ölçüm metodu ile ölçülmüştür ve elektrikli el aletlerinin birbirleri ile karşılaştırılması için kullanılabilir. Zorlanmaların geçici olarak değerlendirilmesine de uygundur.

Belirtilen değerler, elektrikli el aletinin ana kullanım alanlarını temsil eder. Elektrikli el aletinin, farklı ek aletlerle veya yetersiz bakım yapılmış şekilde kullanılması durumunda, veriler sapma gösterebilir. Bu durum, toplam çalışma süresi boyunca zorlanmayı belirgin şekilde yükseltebilir.

Doğru bir zorlanma değerlendirmesi için aletin kapatıldığı veya çalışır konumda olduğu ve ayrıca kullanımda olmadığı zamanlar da dikkate alınmalıdır. Bu durum, toplam çalışma süresi boyunca zorlanmayı belirgin şekilde azaltabilir.

Kullanıcıyı ses ve/veya titreşimin etkilerinden koruyacak ek güvenlik önlemleri belirleyiniz, örneğin: Elektrikli el aletinin ve ek aletlerin bakımının yapılması, ellerin sıcak tutulması, iş akışlarının düzenlenmesi.

#### Ses emisyonu değerleri

	SF 6-A22	SF 6H-A22
Emisyon ses basıncı seviyesi ( $L_{pA}$ )	78 dB(A)	91 dB(A)
Ses basıncı seviyesi için emniyetsizlik ( $K_{pA}$ )	3 dB(A)	3 dB(A)
Ses gücü seviyesi ( $L_{WA}$ )	89 dB(A)	102 dB(A)
Emniyetsizlik ses gücü seviyesi ( $K_{WA}$ )	3 dB(A)	3 dB(A)

#### Toplam titreşim değerleri

	SF 6-A22	SF 6H-A22
Metalde delme için titreşim emisyon değeri ( $a_{h,D}$ )	1,4 m/sn <sup>2</sup>	2,8 m/sn <sup>2</sup>
Metalde delme için emniyetsizlik (K)	1,5 m/sn <sup>2</sup>	1,5 m/sn <sup>2</sup>
Cıvata titreşim emisyon değeri ( $a_n$ )	0,8 m/sn <sup>2</sup>	1,1 m/sn <sup>2</sup>
Emniyetsizlik vidalama (K)	1,5 m/sn <sup>2</sup>	1,5 m/sn <sup>2</sup>
Betonda darbeli delme için titreşim emisyon değeri ( $a_{h,1D}$ )	•/•	15,4 m/sn <sup>2</sup>
Betonda darbeli delme için emniyetsizlik (K)	•/•	1,5 m/sn <sup>2</sup>

## 5 Kullanım

### 5.1 Akünün yerleştirilmesi



#### İKAZ

**Yaralanma tehlikesi kısa devre veya akünün düşmesi nedeniyle!**

- ▶ Aküyü yerleştirmeden önce, akü kontaklarında ve ürün içindeki kontaklarda yabancı cisim bulunmadığından emin olunuz.
- ▶ Akünün her zaman tam oturduğundan emin olunuz.

1. İlk kullanım öncesinde akü tamamen şarj edilmelidir.
2. Aküyü ürüne, duyulur şekilde yerine oturana kadar itiniz.
3. Akünün alette emniyetli bir şekilde yerleşip yerleşmediğini kontrol ediniz.

### 5.2 Akünün çıkartılması

1. Akünün serbest bırakma düğmelerine basınız.
2. Aküyü aletten çıkartınız.

### 5.3 Akünün şarj edilmesi

1. Şarj etmeden önce şarj cihazının kullanım kılavuzunu okuyunuz.
2. Akü ve şarj cihazının kontaklarının temiz ve kuru olmasına dikkat ediniz.
3. Aküyü izin verilen şarj cihazında şarj ediniz. → Sayfa 108



#### 5.4 Yan tutamak montajı 2

##### DİKKAT

**Yaralanma tehlikesi!** Kırıcı - delici yön kontrolünün kaybedilmesi tehlikesi.

- ▶ Yan tutamağın doğru monte edildiğinden ve usulüne uygun şekilde sabitlendiğinden emin olunuz. Kıskaçların öngörülen oluklara usulüne uygun şekilde oturduğundan emin olunuz.

1. Sağa / Sola döndürme şalterini orta konuma getiriniz.
2. Yan tutamak kıskaçlarını açmak için tutamağı çeviriniz.
3. Yan tutamak tutucusunu tamamen gövdeye yerleştiriniz ve kıskaçları öngörülen oluklara itiniz.
4. Yan tutamak tutucusunu germek için tutamağı çeviriniz.

#### 5.5 Kemer kancasının takılması (opsiyonel) 3

##### İKAZ

**Yaralanma tehlikesi.** Aletin düşmesi, size veya etrafınızdakilere zarar verebilir.

- ▶ Çalışmaya başlamadan önce kemer halkasının emniyetli bir şekilde sabitlenip sabitlenmediğini kontrol ediniz.



Kemer kancası ile aleti vücuda bitişik şekilde kemerden sabitleyebilirsiniz. Kemer kancası, sağda veya solda taşıma için monte edilebilir.

1. Aküyü çıkarınız. → Sayfa 110
2. Kemer kancasını, ürünün ayağındaki öngörülen deliğe takınız.
3. Kemer kancasını iki vida ile sabitleyiniz.
4. Aküyü yerleştiriniz. → Sayfa 110

#### 5.6 Hilti uç tutucu montajı (opsiyonel) 4

1. Aküyü çıkarınız. → Sayfa 110
2. Sağ veya sol uç tutucuyu, ürünün ayağındaki öngörülen deliğe takınız.
3. Uç tutucuyu iki civatayla sabitleyiniz.
4. Aküyü yerleştiriniz. → Sayfa 110

#### 5.7 Hilti düşme emniyeti montajı (opsiyonel) 5

##### DİKKAT

**Ürünün ve/veya düşme hattının hasar görmesi.** Usulüne uygun olmayan kullanım nedeniyle üründe ve/veya düşme hattında hasarlar oluşabilir.

- ▶ Düşme hattı olarak metal zincirler kullanılmamalıdır. 2,0 m (6 ft)'den uzun düşme halatları kullanmayınız.



Hasarların önlenmesi için yüksek pozisyonlardaki çalışmalarda Hilti düşme emniyetinin kullanılması önerilir.

Düşme emniyeti tutma halatlarının/tutma bantlarının sabitlenmesini mümkün kılmaktadır.

Ürün ile çalışırken, yüksek pozisyonlardaki çalışmalar için geçerli ulusal yönetmelikler mutlaka dikkate alınmalıdır.

1. Aküyü çıkarınız. → Sayfa 110
2. Düşme emniyetinin her iki tutamağını alet ayağının her iki tarafında bulunan yivlere geçiriniz.
3. Düşme emniyetini ilgili civatalar ile sabitleyiniz.
4. Aküyü yerleştiriniz. → Sayfa 110

#### 5.8 Kademenin seçilmesi 6

- ▶ Vitesi seçiniz.



## 5.9 Sağa/Sola doğru çalışma ayarı



Bir kilit, motor çalışırken değiştirmeyi engeller.  
Kumanda şalterinin orta konumu bloke olmuştur (çalıştırma kilidi).

- ▶ Sağa/sola dönüş değiştirme şalteriyle sağa veya sola doğru çalıştırmayı ayarlayınız.

## 5.10 Ek aletin takılması/sökülmesi

1. Sağa/sola dönüş değiştirme şalterini orta konuma getiriniz veya aküyü aletten ayırınız.
2. Anahtarsız mandreni açınız.
3. Ek aleti ilgili alet bağlantı yerine yerleştiriniz veya ucu çıkarınız.
4. Anahtarsız mandreni sıkınız.
5. Ek aletin yerine oturup oturmadığını kontrol ediniz.

## 5.11 Delme


### DİKKAT

**Yaralanma tehlikesi.** Ek alet aniden bloke olabilir ve bu sırada alet yana kayabilir.

- ▶ Aleti her zaman yan tutamak ile kullanınız ve aleti her iki elinizle sabit tutunuz.
- ▶ Yan tutamağı her zaman dış kısımdan tutunuz.


### DİKKAT

**Yaralanma tehlikesi.** Zeminden malzeme çıkışı olabilir.

- ▶ Göz koruması kullanınız.
- ▶ Tork ve fonksiyon ayar halkasını "Delme"  sembolüne getiriniz.

## 5.12 Darbeli delme

SF 6H-A22

- ▶ Fonksiyon ayar halkasını "Darbeli delme"  fonksiyonuna ayarlayınız.

## 5.13 Vidalama

- ▶ Tork ve fonksiyon ayar halkası üzerinden gerekli torku ayarlayınız.

## 5.14 Açma

- ▶ Kumanda şalterine basınız.
  - ▶ Devir sayısı kademesiz olarak minimum ile maksimum devir sayısı aralığında seçilebilir.

## 5.15 Kapatılması

- ▶ Kumanda şalterini bırakınız.

## 6 Bakım ve onarım

### İKAZ

**Takılı aküden dolayı yaralanma tehlikesi !**

- ▶ Tüm bakım ve onarım çalışmalarından önce her zaman aküyü çıkarınız!

### Ürün bakımı

- Yapışmış olan kiri dikkatlice çıkarınız.
- Eğer varsa, havalandırma deliklerini kuru, yumuşak bir fırça ile dikkatlice temizleyiniz.
- Gövdeyi sadece hafif nemli bir temizlik bezi ile temizleyiniz. Plastik parçalara yapışabileceğinden silikon içerikli bakım maddeleri kullanmayınız.



- Ürünün kontaklarını temizlemek için temiz, kuru bir bez kullanınız.

### Lityum İyon akülerin bakımı

- Bir aküyü asla havalandırma delikleri tıkalıyken kullanmayınız. Havalandırma deliklerini kuru, yumuşak bir fırça ile dikkatlice temizleyiniz.
- Akünün gereksiz toz veya kire maruz kalmasını önleyiniz. Aküyü asla yüksek neme maruz bırakmayınız (örn. suya daldırma veya yağmurda bırakma). Bir akü ıslandıysa, bu aküye hasarlı akü muamelesi yapınız. Yanmayan bir kabın içinde izole ediniz ve **Hilti** servisiyle irtibat kurunuz.
- Aküyü yabancı yağ ve gresten uzak tutunuz. Gereksiz toz veya kirin aküde birikmesini önleyiniz. Aküyü kuru, yumuşak bir fırça veya temiz, kuru bir bezle temizleyiniz. Plastik parçalara yapışabileceğinden silikon içerikli bakım maddeleri kullanmayınız. Akünün kontaklarına dokunmayınız ve fabrika tarafında sürülen gresi kontaklardan temizlemeyiniz.
- Gövdeyi sadece hafif nemli bir temizlik bezi ile temizleyiniz. Plastik parçalara yapışabileceğinden silikon içerikli bakım maddeleri kullanmayınız.

### Onarım

- Görünür tüm parçalarda hasar olup olmadığını ve kumanda elemanlarının sorunsuz şekilde çalışıp çalışmadığını düzenli olarak kontrol ediniz.
- Hasar ve/veya fonksiyon arızaları durumunda ürünü çalıştırmayınız. Ürünün derhal **Hilti** servisi tarafından onarılmasını sağlayınız.
- Bakım ve onarım çalışmalarından sonra tüm koruma tertibatlarını yerleştiriniz ve bunları sorunsuz fonksiyon bakımından kontrol ediniz.



Güvenli çalışma için sadece orijinal yedek parçalar ve sarf malzemeleri kullanınız. **Hilti** tarafından onaylanmış, yedek parçaları, aksesuarları ve sarf malzemelerini **Hilti Store** veya şu adreste bulabilirsiniz: [www.hilti.group](http://www.hilti.group)

## 7 Akülü aletlerin ve akülerin taşınması ve depolanması

### Taşıma

#### DİKKAT

#### Taşıma sırasında aletin istem dışı çalışması !

- ▶ Ürünlerinizi her zaman aküler takılı olmadan taşıyınız!
- ▶ Aküleri çıkartınız.
- ▶ Aküleri kesinlikle sıkıca bağlanmamış koruma ile nakletmeyiniz. Nakliye sırasında, aküler aşırı şok ve titreşimlerden korunmalı ve başka akü kutupları ile temas ederek kısa devreye neden olmaları için, her türlü iletken malzeme veya diğer akülerden izole edilmiş olmalıdır. **Aküler için yerel taşıma talimatlarını dikkate alınız.**
- ▶ Aküler posta ile gönderilmemelidir. Hasarsız aküleri sevk etmek istememeniz halinde, bir nakliye şirketine başvurunuz.
- ▶ Ürünün ve akülerin hasar görmüş olup olmadığını her kullanımdan önce olduğu gibi uzun taşımaldan önce ve sonra kontrol ediniz.

### Depolama

#### İKAZ

#### Arızalı veya akan aküler nedeniyle beklenmeyen hasar oluşumu !

- ▶ Ürünlerinizi her zaman aküleri yerleştirmeden depolayınız!
- ▶ Ürünü ve aküleri serin ve kuru bir yerde muhafaza ediniz. Teknik verilerde belirtilen sıcaklık sınırı değerlerini dikkate alınız.
- ▶ Aküleri şarj cihazının üzerinde muhafaza etmeyiniz. Şarj işleminden sonra her zaman aküyü şarj cihazından çıkartınız.
- ▶ Aküleri kesinlikle güneşte, ısı kaynakları üzerinde veya cam arkasında muhafaza etmeyiniz.
- ▶ Ürünü ve aküleri çocukların ve yetkisiz kişilerin ulaşamayacağı yerlerde muhafaza ediniz.
- ▶ Ürünün ve akülerin hasar görmüş olup olmadığını her kullanımdan önce olduğu gibi uzun süreli depolamalardan önce ve sonra kontrol ediniz.



## 8 Arıza durumunda yardım

Bu tabloda listelenmemiş veya kendi başınıza gideremediğiniz arızalarda lütfen yetkili **Hilti** servisimiz ile irtibat kurunuz.

### 8.1 Arıza durumunda yardım

Arıza	Olası sebepler	Çözüm
Delme/vidalama makinesi çalışmıyor.	Akü usulüne uygun yerleştirilmemiş. Akü deşarj olmuş.	► Aküyü yerleştiriniz. → Sayfa 110 ► Aküyü değiştiriniz ve boş aküyü şarj ediniz.
4 LED'in tümü yanıp söner. Delme/vidalama makinesi çalışmıyor.	Delme/vidalama makinesi kısa süre için aşırı yüklenmiş. Aşırı sıcaklık koruması	► Kumanda şalterini bırakınız ve şaltare sonra yeniden basınız. ► Delme/vidalama makinesini soğuması için bırakınız ve havalandırma kanallarını temizleyiniz.
1 LED yanıp sönüyor. Delme/vidalama makinesi çalışmıyor.	Akü deşarj olmuş. Akü çok soğuk. Akü çok sıcak.	► Aküyü değiştiriniz ve boş aküyü şarj ediniz. ► Aküyü tavsiye edilen çalışma sıcaklığına getiriniz. ► Aküyü tavsiye edilen çalışma sıcaklığına getiriniz.
SF 6H-A22 Darbeli delme mümkün değil.	Ayar halkasındaki fonksiyon doğru ayarlanmamış.	► Fonksiyon ayar halkasını "Darbeli delme"  fonksiyonuna ayarlayınız.
Kumanda şalterine basılamıyor veya bloke olmuş.	Sağ/Sol devre şalteri orta konumda (nakliye konumu).	► Sağa/Sola dönüş değiştirme şalterini, sağa veya sola dönüş ayarlayınız. → Sayfa 112
Delme/vidalama makinesinde veya aküde yoğun ısı oluşumu mevcut.	Elektrik arızası Delme/vidalama makinesi aşırı yük- lendi (kullanım sınırı aşıldı).	► Delme/vidalama makinesini derhal kapatınız, aküyü çıkarınız ve <b>Hilti</b> servis departmanına haber veriniz. ► Kullanım durumunu kontrol ediniz.

## 9 İmha

### İKAZ

**Usulüne uygun olmayan imha nedeniyle yaralanma tehlikesi!** Dışarı çıkan gaz ve sıvılar nedeniyle sağlık sorunları.

- Hasar görmüş aküleri hiç bir şekilde göndermeyiniz!
- Kısa devreleri önlemek için, akünün bağlantılarını iletken olmayan bir malzeme ile kapatınız.
- Aküleri, çocukların ellerine geçmeyecek şekilde imha ediniz.
- Aküyü size en yakın **Hilti Store**'da imha ediniz veya imha etmek için yetkili şirketinize başvurunuz.

**Hilti** ürünleri yüksek oranda tekrar kullanılabilen malzemelerden üretilmiştir. Geri dönüşüm için gerekli koşul, usulüne uygun malzeme ayrımıdır. Çoğu ülkede **Hilti** eski aletlerini yeniden değerlendirmek üzere geri alır. Bu konuda **Hilti** müşteri hizmetlerinden veya satış temsilcinizden bilgi alabilirsiniz.



- Elektrikli el aletlerini, elektronik cihazları ve aküleri evdeki çöplere atmayınız!

## 10 RoHS (Tehlikeli madde kullanımını kısıtlama direktifi)

Tehlikeli maddeler tablosunu aşağıdaki internet bağlantılarında bulabilirsiniz:

- SF 6-A22: [qr.hilti.com/r9370541](http://qr.hilti.com/r9370541)





- SF 6H-A22: [qr.hilti.com/r9370482](http://qr.hilti.com/r9370482)

RoHS tablosunun linkini bu dokümanın sonunda QR kodu olarak bulabilirsiniz.

## 11 Üretici garantisi

---

- Garanti koşullarına ilişkin sorularınız için lütfen yerel **Hilti** iş ortağınıza başvurunuz.



## 1 بيانات المستند

## 1.1 حول هذا المستند

- اقرأ هذه المستندات بالكامل قبل التشغيل. يعتبر هذا شرطاً للعمل بشكل آمن والاستخدام بدون اختلالات.
- تراعى إرشادات الأمان والإرشادات التحذيرية الواردة في هذا المستند وعلى الجهاز.
- احتفظ بدليل الاستعمال دائماً مع المنتج، ولا تعطي الجهاز لآخرين إلا مرفقاً بهذا الدليل.

## 2.1 شرح العلامات

## 1.2.1 إرشادات تحذيرية

تنبه الإرشادات التحذيرية إلى الأخطار الناشئة عند التعامل مع الجهاز. يتم استخدام الكلمات الدلالية التالية:



خطر

خطر!

◀ تشير لخطر مباشر يؤدي لإصابات جسدية خطيرة أو إلى الوفاة.



تحذير

تحذير!

◀ تشير لخطر محتمل قد يؤدي لإصابات جسدية خطيرة أو إلى الوفاة.



احترس:

احترس!

◀ تشير لموقف خطر محتمل يمكن أن يؤدي لإصابات جسدية أو أضرار مادية.

## 2.2.1 الرموز في دليل الاستعمال

يتم استخدام الرموز التالية في دليل الاستعمال هذا:

يُراعى دليل الاستعمال	
إرشادات الاستخدام ومعلومات أخرى مفيدة	
التعامل مع مواد قابلة لإعادة التدوير	
لا تتخلص من الأجهزة الكهربائية البطاريات ضمن القمامة المنزلية	
Hilti بطارية أيونات الليثيوم	
Hilti جهاز الشحن	

## 3.2.1 الرموز في الصور

تستخدم الرموز التالية في الرسوم التوضيحية:

2	تشير هذه الأعداد إلى الصورة المعنية في بداية دليل الاستعمال هذا.
3	ترقيم الصور يمثل ترتيب خطوات العمل في الصور، وقد يختلف عن ترقيم خطوات العمل في النص.
11	يتم استخدام أرقام المواضع في صورة العرض العام وهي تشير إلى أرقام تعليق الصورة في فصل عرض عام للمنتج.
!	هذه العلامة من شأنها أن تثير انتباهك جيداً عند التعامل مع المنتج.



### 3.1 الرموز المرتبطة بالمنتج

#### 1.3.1 الرموز على المنتج

قد تكون الرموز التالية مستخدمة على المنتج:

يدعم المنتج عملية نقل البيانات لاسلكياً، والتي تتوافق مع أجهزة آيفون وأندرويد.	
بطاريات أيونات الليثيوم Hilti المستخدمة من النوع. احرص على مراعاة التعليمات الواردة في الفصل الاستخدام المطابق للتعليمات.	
بطارية أيونات الليثيوم	Li-Ion
لا تستخدم البطارية أبداً كمطرقة.	
لا تدع البطارية تسقط. لا تستخدم بطارية تعرضت لصدمة أو أي نوع آخر من التلفيات.	
تيار مستمر	
الثقب بدون طرق	
الثقب بالطرق (الثقب المطرقي)	
فئة الحماية II (عزل مزدوج)	
عدد اللفات الاسمي في الوضع الممايد	n <sub>0</sub>
عدد اللفات في الدقيقة	/min

### 4.1 معلومات المنتج

منتجات **Hilti** مصممة للمستخدمين المحترفين ويقصر استعمالها وصيانتها وإصلاحها على الأشخاص المعتمدين والمدربين جيداً. هؤلاء الأشخاص يجب أن يكونوا قد تلقوا تدريباً خاصاً على الأخطار الطارئة. قد يتسبب الجهاز وأدواته المساعدة في حدوث أخطار إذا تم التعامل معها بشكل غير سليم فنياً من قبل أشخاص غير مدربين أو تم استخدامها بشكل غير مطابق للتعليمات.

يوجد مسمى الطراز والرقم المسلسل على لوحة الصنع.

انقل الرقم المسلسل في الجدول التالي. ستحتاج إلى بيانات المنتج في حالة الاستفسارات الموجهة إلى ممثلينا أو مركز الخدمة.

#### بيانات المنتج

SF 6-A22   SF 6H-A22	المفك الآلي الثقاب
02	الجيل
	الرقم المسلسل

### 5.1 بيان المطابقة

نقر على مسؤوليتنا الفردية بأن المنتج المشروح هنا متوافق مع التشريعات والمواصفات المعمول بها. تجد صورة لبيان المطابقة في نهاية هذا المستند.

المستندات الفنية محفوظة هنا:

Hilti Entwicklungsgesellschaft mbH | Zulassung Geräte | Hiltistraße 6 | 86916 Kaufering, DE

## 2 السلامة

### 1.2 إرشادات السلامة العامة المتعلقة بالأدوات الكهربائية

**⚠ تحذير احرص على قراءة جميع إرشادات السلامة، التوجيهات، الصور التوضيحية والمواصفات الفنية المرفقة مع هذه الأداة الكهربائية.** أي تقصير أو إهمال في الالتزام بالتعليمات التالية قد يتسبب في حدوث صعق كهربائي، نشوب حريق و/أو وقوع إصابات خطيرة.

احتفظ بجميع مستندات إرشادات السلامة والتعليمات لاستخدامها عند الحاجة إليها فيما بعد.



يقصد بمصطلح «الأداة الكهربائية» المذكور في إرشادات السلامة الأدوات الكهربائية المشغلة بالكهرباء (باستخدام كابل الكهرباء) أو الأدوات الكهربائية المشغلة بالبطاريات (بدون كابل الكهرباء).

#### سلامة مكان العمل

- ◀ حافظ على نطاق عملك نظيفاً ومضاءً بشكل جيد. الفوضى أو أماكن العمل غير المضاءة يمكن أن تؤدي لوقوع حوادث.
- ◀ لا تعمل بالأداة الكهربائية في محيط معرض لخطر الانفجار يتواجد به سوائل أو غازات أو أنواع غبار قابلة للاشتعال. الأدوات الكهربائية تولد شرراً يمكن أن يؤدي لإشعال الغبار والأبفرة.
- ◀ احرص على إبعاد الأطفال والأشخاص الآخرين أثناء استخدام الأداة الكهربائية. في حالة انصراف انتباهك قد تفقد السيطرة على الجهاز.

#### السلامة الكهربائية

- ◀ يجب أن يكون قابس توصيل الأداة الكهربائية متلائماً مع المقبس. لا يجوز تعديل القابس بأي حال من الأحوال. لا تستخدم قوايس مهايأة مع أدوات كهربائية ذات وصلة أرضي محمية. القوايس غير المعدلة والمقابس الملائمة تقلل من خطر حدوث صدمة كهربائية.
- ◀ تجنب حدوث تلامس للجسم مع أسطح مؤرضة مثل الأسطح الخاصة بالمواسير وأجهزة التدفئة والمواقد والتلاجات. ينشأ خطر متزايد من حدوث صدمة كهربائية عندما يكون جسمك متصلاً بالأرض.
- ◀ أبعد الأدوات الكهربائية عن الأمطار أو البلل. تسرب الماء إلى داخل الأداة الكهربائية يزيد من خطر حدوث صدمة كهربائية.
- ◀ لا تستخدم كابل التوصيل لحمل الأداة الكهربائية أو تعليقها أو لسحب القابس من المقبس. احتفظ بكابل التوصيل بعيداً عن السخونة والزيت والحواف الحادة والأجزاء المتحركة. كابلات التوصيل التالفة أو المتشابكة تزيد من خطر حدوث صق كهربائي.
- ◀ عندما تعمل بأداة كهربائية في مكان مكشوف، فلا تستخدم سوى كابلات الإطالة المناسبة للعمل في النطاق الخارجي. استخدام كابل إطالة مناسب للعمل في النطاق الخارجي يقلل من خطر حدوث صق كهربائي.
- ◀ إذا تعذر تجنب تشغيل الأداة الكهربائية في محيط رطب، فاستخدم مفتاح حماية من تسرب التيار. استخدام مفتاح الحماية من تسرب التيار يقلل خطر حدوث صدمة كهربائية.

#### سلامة الأشخاص

- ◀ كن يقظاً وانتبه لما تفعل وتعامل مع الأداة الكهربائية بتعقل عند العمل بها. لا تستخدم الأداة الكهربائية عندما تكون متعباً أو تحت تأثير المخدرات أو الكحوليات أو العقاقير. فقد يتسبب عدم الانتباه للحظة واحدة أثناء الاستخدام في حدوث إصابات بالغة.
- ◀ ارتد تجهيزات وقاية شخصية وارتد دائماً نظارة واقية. ارتداء تجهيزات وقاية شخصية، مثل قناع الوقاية من الغبار وأحذية الأمان المضادة للانزلاق وخوذة الوقاية أو واقى السمع، تبعاً لنوع واستخدام الأداة الكهربائية، يقلل من خطر الإصابات.
- ◀ تجنب التشغيل بشكل غير مقصود. تأكد أن الأداة الكهربائية مطفأة قبل توصيلها بالكهرباء و/أو بالبطارية وقبل رفعها أو حملها. إذا كان إصبعك على المفتاح عند حمل الأداة الكهربائية أو كان الجهاز في وضع التشغيل عند التوصيل بالكهرباء، فقد يؤدي ذلك لوقوع حوادث.
- ◀ أبعد أدوات الضبط أو مفاتيح ربط البراغي قبل تشغيل الأداة الكهربائية. الأداة أو المفتاح المتواجد في جزء دوار من الجهاز يمكن أن يؤدي لحدوث إصابات.
- ◀ تجنب اتخاذ وضع غير طبيعي للجسم. احرص على أن تكون واقفاً بأمان وحافظ على توازنك في جميع الأوقات. من خلال ذلك تستطيع السيطرة على الأداة الكهربائية بشكل أفضل في المواقف المفاجئة.
- ◀ ارتد ملابس مناسبة. لا ترتد ملابس فضفاضة أو حلي. احرص على أن يكون الشعر والملابس والقفازات بعيدة عن الأجزاء المتحركة. الملابس الفضفاضة أو الحلي أو الشعر الطويل يمكن أن تشبك في الأجزاء المتحركة.
- ◀ إذا أمكن تركيب تجهيزات شطف وتجميع الغبار، فتأكد أنها موصلة ومستخدمة بشكل سليم. استخدام تجهيز شطف الغبار يمكن أن يقلل الأخطار الناتجة عن الغبار.
- ◀ لا تعتقد بأنك في مأمن عن الخطر ولا تتجاهل تشريعات السلامة المعنية للأدوات الكهربائية، حتى وإن كنت على دراية بالأداة الكهربائية بعد تكرار استخدامها. التعامل مع الجهاز بدون حذر قد يؤدي إلى وقوع إصابات بالغة في جزء من الثانية.

#### استخدام الأداة الكهربائية والتعامل معها

- ◀ لا تفرط في التحميل على الجهاز. استخدم الأداة الكهربائية المناسبة للعمل الذي تقوم به. استخدام الأداة الكهربائية المناسبة يتيح لك العمل بشكل أفضل وأكثر أماناً في نطاق العمل المقرر.



- ◀ لا تستخدم أداة كهربائية ذات مفتاح تالف. الأداة الكهربائية التي لم يعد يمكن تشغيلها أو إطفائها تمثل خطورة ويجب إصلاحها.
- ◀ اسحب القابس من المقبس و/أو اخلع البطارية القابلة للخلع من الجهاز قبل إجراء عمليات الضبط، أو استبدال أجزاء الملحقات أو عند ترك الجهاز. هذا الإجراء الوقائي يمنع بدء تشغيل الأداة الكهربائية دون قصد.
- ◀ احتفظ بالأدوات الكهربائية غير المستخدمة بعيدا عن متناول الأطفال. لا تسمح باستخدام الجهاز من قبل أشخاص ليسوا على دراية به أو لم يقرءوا هذه التعليمات. الأدوات الكهربائية خطيرة في حالة استخدامها من قبل أشخاص ليست لديهم الخبرة الواجبة.
- ◀ اعتني جيدا بالأدوات الكهربائية والملحقات. افحص الأجزاء المتحركة من حيث أداؤها لوظيفتها بدون مشاكل وعدم انحصارها وافحصها من حيث وجود أجزاء مكسورة أو متعرضة للضرر يمكن أن تؤثر سلبا على وظيفة الأداة الكهربائية. اعمل على إصلاح الأجزاء التالفة قبل استخدام الجهاز. الكثير من الحوادث مصدرها الأدوات الكهربائية التي تم صيانتها بشكل رديء.
- ◀ حافظ على أدوات القطع حادة ونظيفة. تتميز أدوات القطع ذات حواف القطع المادة المعتنى بها بدقة بأنها أقل عرضة للتعثرو وأسهل في التعامل.
- ◀ استخدم الأداة الكهربائية والملحقات وأدوات العمل وخلافه طبقا لهذه التعليمات. احرص في هذه الأثناء على مراعاة اشتراطات العمل والمهمة المراد تنفيذها. استخدام الأدوات الكهربائية في تطبيقات غير تلك المقررة لها يمكن أن يؤدي لمواقف خطيرة.
- ◀ حافظ على المقابض ومواقع المسك في حالة جافة ونظيفة وخالية من الزيت والشحم. المقابض ومواقع المسك الانزلاقية تحول دون استعمال الأداة الكهربائية والتحكم بها بشكل آمن في المواقف غير المتوقعة.

#### استخدام الأداة العاملة بالبطارية والتعامل معها

- ◀ لا تشحن البطارية إلا في أجهزة شحن موصى بها من قبل الجبة الصانعة. بالنسبة لجهاز الشمن المناسب لنوع معين من البطاريات، ينشأ خطر الحريق عند استخدامه مع بطاريات أخرى.
- ◀ لا تضع في الأدوات الكهربائية سوى البطاريات المخصصة لها. استخدام بطاريات أخرى يمكن أن يؤدي لوقوع إصابات وخطر الحريق.
- ◀ أبعد البطارية غير المستخدمة عن مشابك الورق وقطع النقود المعدنية والمفاتيح والمسامير والبراغي أو الأشياء المعدنية الصغيرة الأخرى التي يمكن أن تتسبب في توصيل الملامسين لبعضهما. حدوث قفلة كهربائية بين أطراف توصيل البطارية يمكن أن ينتج عنه حدوث حروق أو نشوب حريق.
- ◀ عند الاستخدام بشكل خاطئ يمكن أن يتسرب سائل من البطارية. تجنب ملامسته. اشطفه بالماء في حالة ملامسته عن طريق الخطأ. إذا وصل السائل للعينين، فتوجه للطبيب علاوة على ذلك. سائل البطارية المتسرب يمكن أن يؤدي لتبيح البشرة أو حدوث حروق.
- ◀ لا تستخدم بطارية تالفة أو مختلفة. البطاريات التالفة أو المختلفة قد تتفاعل مع نفسها بشكل غير متوقع مما يؤدي لنشوب حريق أو حدوث انفجار أو وقوع إصابات.
- ◀ لا تعرض البطارية للنار أو لدرجات حرارة مرتفعة للغاية. حيث قد تؤدي النار ودرجات الحرارة الزائدة عن 130 °م (265 °ف) إلى حدوث انفجار.
- ◀ التزم بكافة التعليمات المعنية بالشحن، ولا تقم أبدا بشحن البطارية أو الأداة العاملة بالبطارية خارج نطاق درجة الحرارة الوارد ذكره في دليل التشغيل. الشمن بشكل خاطئ أو خارج نطاق درجة الحرارة المسموح به قد يتلف البطارية ويزيد من خطر الحريق.

#### الخدمة

- ◀ اعمل على إصلاح أدواتك الكهربائية على أيدي فنيين معتمدين فقط والاقصر على استخدام قطع الغيار الأصلية. وبذلك تتأكد من الحفاظ على سلامة الجهاز.
- ◀ لا تقم أبدا بصيانة البطاريات التالفة. يجب أن تتم جميع أعمال الصيانة بمعرفة الجبة الصانعة فقط أو من خلال مراكز خدمة العملاء المعتمدين.

## 2.2 إرشادات السلامة للمثاقب

### إرشادات السلامة لجميع الأعمال

- ◀ احرص على ارتداء واقية للأذنين عند الثقب بالطرق. لذا يرجى مراعاة أن الضجيج الصاخب يمكن أن يُفقد القدرة على السمع.
- ◀ استخدم المقبض الإضافي. فقدان السيطرة يمكن أن يؤدي لوقوع إصابات.



- ◀ احرص على مسك الأداة الكهربائية من مواضع المسك المعزولة عند إجراء أعمال يحتمل فيها أن تتلامس الأداة الكهربائية أو البراغي مع أسلاك كهربائية مخفية. حيث أن ملامسة سلك يسري فيه التيار الكهربائي يمكن أن ينقل الجهد الكهربائي للأجزاء المعدنية بالجهاز ويؤدي لحدوث صدمة كهربائية.
- ◀ إرشادات السلامة في حالة استخدام ريشة ثقب طويلة
- ◀ لا تعمل بأي حال من الأحوال بعدد لفات أعلى من عدد اللفات الأقصى المسموح به لريشة الثقب. عند العمل بعدد لفات أعلى يمكن أن تنتهي ريشة الثقب بسهولة، إذا دارت دون تلامس مع قطعة الشغل، وتؤدي إلى وقوع إصابات.
- ◀ ابدأ عملية الثقب دائماً بعدد لفات منخفض وعندما تكون ريشة الثقب ملامسة لقطعة الشغل. عند العمل بعدد لفات أعلى يمكن أن تنتهي ريشة الثقب بسهولة، إذا دارت دون تلامس مع قطعة الشغل، وتؤدي إلى وقوع إصابات.
- ◀ اضغط على ريشة الثقب بدون إفراط وفي اتجاه طولي فقط. فقد تتعرض ريشة الثقب للانثناء والانكسار من جراء ذلك، أو من الممكن أن تفقد السيطرة عليها وتتسبب في وقوع إصابات.
- ◀ إرشادات السلامة في حالة استخدام مضارب التقليل وخلطات التقليل
- ◀ لا تقم بتشغيل أو إيقاف الأداة الكهربائية إلا إذا كان مضرب التقليل موجود في المادة المراد خلطها. وإلا فقد تفقد السيطرة على الأداة وتتعرض لخطر الإصابة.

### 3.2 إرشادات السلامة الإضافية المتعلقة بالملفك الآلي

#### سلامة الأشخاص

- ◀ اقتصر على استخدام المنتج والملحقات وهم في حالة سليمة من الناحية الفنية.
- ◀ لا تقم أبداً بأية تدخلات أو تغييرات على المنتج أو الملحقات.
- ◀ استخدم المقابض الإضافية الموردة مع المنتج. فقدان السيطرة يمكن أن يؤدي لوقوع إصابات.
- ◀ أمسك الجهاز دائماً بكلتا اليدين من المقابض المخصصة لذلك. حافظ على جفاف ونظافة المقابض.
- ◀ تجنب ملامسة الأجزاء الدوارة - خطر الإصابة!
- ◀ احرص أثناء استخدام المنتج على استعمال نظارة واقية وملئمة وخوذة حماية وواق للسمع وكمامة خفيفة للتنفس.
- ◀ قم بارتداء قفازا واقيا أثناء تغيير الأدوات. ملامسة أداة الشغل قد تؤدي لوقوع إصابات بجروح قطعية وإصابة بحروق.
- ◀ استخدم واقيا للعينين. الشظايا المتطايرة يمكن أن تصيب الجسم والعيونين.
- ◀ يمكن أن يحتوي الغبار الناتج عن التجليخ والسفرة والقطع والثقب على مواد كيميائية خطيرة. بعض الأمثلة: الرصاص أو الدهانات التي تحتوي على الرصاص، القرميد والخرسانة ومنتجات البناء الأخرى وأمجار البناء الطبيعية والمنتجات الأخرى المحتوية على السيليكات، بعض الأخشاب مثل البلوط والزان والأخشاب المعالجة كيميائياً، الأسبستوس أو الخامات المحتوية على الأسبستوس. قم بتحديد مدى تعرض المستخدم والأشخاص المحيطين لفترة خطر الخامات التي يجري العمل عليها. اتخذ التدابير اللازمة للحفاظ على مدى التعرض في مستوى آمن، على سبيل المثال، استخدام نظام تجميع الغبار أو ارتداء كمامة مناسبة للتنفس. تشمل التدابير العامة للحد من مدى التعرض ما يلي:
- ◀ العمل في نطاق جيد التهوية،
- ◀ تجنب ملامسة الغبار لفترة طويلة،
- ◀ إزالة الغبار عن الوجه والجسم،
- ◀ ارتداء بزة واقية وغسل المناطق المكشوفة بالماء والصابون.
- ◀ خذ قسطاً من الراحة بشكل متكرر و قم بتمازج لسريان الدم في الأصابع بشكل أفضل. عند القيام بأعمال لفترات طويلة، فقد تحدث اضطرابات في الأوعية الدموية أو الجهاز العصبي بسبب كثرة الاهتزازات على الأصابع أو الأيدي أو معصم اليد.

#### السلامة الكهربائية

- ◀ قبل بدء الأعمال افحص نطاق العمل من حيث وجود توصيلات كهربائية مدفونة أو مواسير للغاز والماء. الأجزاء المعدنية الخارجية بالمنتج يمكن أن تتسبب في صدمة كهربائية أو انفجار، إذا قمت بإتلاف إحدى توصيلات التيار أو ماسورة الغاز أو الماء.

#### الاستخدام والتعامل بعناية مع الأدوات الكهربائية

- ◀ قم بإيقاف المنتج على الفور، بمجرد تعرض أداة الشغل للإعاقة. يمكن أن ينحرف الجهاز جانباً.
- ◀ انتظر حتى يتوقف المنتج تماماً قبل تخزينه.



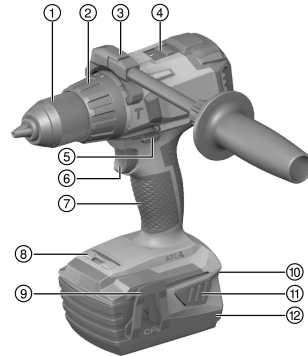
## 4.2 التعامل بعناية مع الأجهزة العاملة بالبطاريات واستخدامها

- ◀ تراعى التعليمات الخاصة لنقل وتخزين وتشغيل بطاريات أيونات الليثيوم.
- ◀ أبعد البطاريات عن النار ودرجات الحرارة المرتفعة وأشعة الشمس المباشرة.
- ◀ لا يجوز تفكيك البطاريات أو سحقها أو وضعها في درجة حرارة أعلى من 80°م (176°ف) أو حرقها.
- ◀ لا تستخدم أو تشحن البطاريات التي تعرضت لصدمات، أو سقطت من ارتفاع يزيد على متر أو تعرضت لأية أضرار أخرى. في هذه الحالة، تواصل دائماً مع خدمة Hilti.
- ◀ في حالة السفونة الشديدة للبطارية بحيث يتعذر الإمساك بها، فقد تكون تالفة. احرص على وضع البطارية في مكان مرني وغير قابل للاشتعال مع وجود مسافة كافية من الخامات القابلة للاشتعال. اترك البطارية تبرد. إذا ظلت البطارية ساخنة بعد مرور ساعة لدرجة تعذر لمسها، فيذا يعني أنها تالفة. اتصل بمركز خدمة Hilti.

## 3 الشرح

### 1.3 عرض عام 1

- ① ملقمة ريش الثقب سريعة الربط
- ② حلقة ضبط عزم الربط والأداء الوظيفي
- ③ المقبض الجانبي
- ④ مفتاح اختيار السرعة
- ⑤ مفتاح تحويل الدوران يميناً/يساراً ومزود بمانع تشغيل
- ⑥ مفتاح تحكم (مزود بنظام تحكم إلكتروني في عدد اللفات)
- ⑦ المقبض
- ⑧ لمبة إضاءة نطاق العمل
- ⑨ خطاف الحزام (تجهيز اختياري)
- ⑩ بيان حالة الشحن وبيان الأخطاء (بطارية أيونات الليثيوم)
- ⑪ زر تحرير البطارية
- ⑫ البطارية



### 2.3 الاستخدام المطابق للتعليمات

- المنتج المشروح عبارة عن مفك آلي ثقاب عامل بالبطارية ويدوي التوجيه. وهو مخصص لعمل الثقوب في الفولاذ والأخشاب والبلاستيك والفرسانة الخفيفة والجدران ولربط وفك البراغي.
- ◀ اقتصر على استخدام بطاريات أيونات الليثيوم Hilti من النوع B 22 مع هذا المنتج.
  - ◀ اقتصر على استخدام شواحن Hilti من الفئة C4/36 لهذه البطاريات.

### 3.3 مجموعة التجهيزات الموردة

- المفك الآلي الثقاب، المقبض الجانبي، دليل الاستعمال.
- تجد المزيد من منتجات النظام المسموع بها لمنتجك لدى متجر **Hilti Store** أو على موقع الإنترنت: [www.hilti.com](http://www.hilti.com) | الولايات المتحدة الأمريكية: [www.hilti.com](http://www.hilti.com)

### 4.3 بيان حالة بطارية أيونات الليثيوم

- يتم الإشارة إلى حالة شحن بطارية أيونات الليثيوم واختلالات الجهاز عن طريق مبدن بطارية أيونات الليثيوم. يتم عرض حالة شحن بطارية أيونات الليثيوم بعد النقر على أحد زرّي تحرير البطارية.

الحالة	الاستعمال
4 لمبات LED تضيء.	حالة الشحن: 75 % إلى 100 %
3 لمبات LED تضيء.	حالة الشحن: 50 % إلى 75 %
لمبتا LED تضيئان.	حالة الشحن: 25 % إلى 50 %
لمبة LED واحدة تضيء.	حالة الشحن: 10 % إلى 25 %



الحالة	الاستعمال
لمبة LED واحدة تومض.	حالة الشحن: > 10 %
تومض لمبة LED واحدة، الجهاز غير مستعد للتشغيل.	البطارية شديدة السخونة أو شمنتها فرغت تماما.
تومض أربع لمبات LED، الجهاز غير مستعد للتشغيل.	يوجد تحميل زائد على الجهاز أو الجهاز شديد السخونة.

**i** لا يمكن الاستعمال عن حالة شحن البطارية عند الضغط على مفتاح التحكم أو مرور 5 ثوانٍ من ترك مفتاح التحكم.  
في حالة وميض لمبات LED الخاصة بمبين البطارية، يرجى مراعاة الإرشادات الواردة في فصل المساعدة في حالات الاختلالات.

### 5.3 ATC

المنتج مزود بخاصية الإيقاف الإلكتروني السريع (ATC (Active Torque Control). في حالة إعاقة أداة الشغل أو انحصارها، فإن المنتج يدور بشكل مفاجئ على نحو غير محكوم في الاتجاه المعاكس. وتتعرف وظيفة ATC على هذه الحركة المفاجئة للدوران بالمنتج وتقوم بإيقاف المنتج على الفور.

**i** يجب ألا يكون هناك عائق أمام دوران المنتج حتى يعمل بشكل سليم.  
بعد الإيقاف السريع، قم بإيقاف المنتج ثم أعد تشغيله.

### 6.3 مابين التحميل الزائد والسخونة الزائدة

الجهاز مزود بوسيلة حماية إلكترونية من التحميل الزائد والسخونة المفرطة. في حالة التحميل الزائد أو السخونة المفرطة يتوقف الجهاز أو توماتيكيا. وعند ترك مفتاح التحكم والضغط عليه من جديد قد يتأخر التشغيل في بعض الأحيان (مراحل تبريد الجهاز).

## 4 المواصفات الفنية

SF 6H-A22	SF 6-A22	الجهد الكهربائي الاسمي	
21.6 فلت تيار مستمر	21.6 فلت تيار مستمر	الوزن حسب EPTA Procedure 01 شاملا البطارية B22&0	
3.1 كجم	3.1 كجم	عدد اللغات	السرعة الأولى
0 لفة/دقيقة ... 490 لفة/دقيقة	0 لفة/دقيقة ... 490 لفة/دقيقة		
0 لفة/دقيقة ... 2,000 لفة/دقيقة	0 لفة/دقيقة ... 2,000 لفة/دقيقة	عزم الربط (الربط في الأجسام اللينة)	السرعة الثانية
≥ 65 نيوتن متر	≥ 65 نيوتن متر		
36,000 لفة/دقيقة	•/•	عدد الطرقات	
17- ... 60 °م	17- ... 60 °م	درجة الحرارة المحيطة أثناء التشغيل	
20- ... 70 °م	20- ... 70 °م	درجة حرارة التخزين	

### 1.4 البطارية

21.6 فلت	جهد تشغيل البطارية
17- ... 60 °م	درجة الحرارة المحيطة أثناء التشغيل
20- ... 40 °م	درجة حرارة التخزين
10- ... 45 °م	درجة حرارة البطارية عند بدء الشحن

### 2.4 القطر المسموح به لأدوات الشغل

1.5 مم ... 13 مم	Ø نطاق ربط ملقمة ريش الثقب السريعة
1.5 مم ... 20 مم	Ø ريشة ثقب الخشب (صلب)





1.5 مم ... 32 مم	Ø ريشة ثقب الخشب (طري)
1.5 مم ... 13 مم	Ø ريشة ثقب المعادن
4 مم ... 12 مم	Ø الثقب في الخرسانة/الجران (الثقب بالطرق)

#### 3.4 قيم الضوضاء والاهتزاز طبقا للمواصفة EN 62841

تم قياس ضغط الصوت وقيم الاهتزاز الواردة في هذا الدليل طبقا لحد معايير القياس المحددة ويمكن الاستعانة بها في إجراء مقارنة بين الأدوات الكهربائية مع بعضها البعض. وهي مناسبة أيضا لتقدير حجم المخاطر بصورة أولية.

المواصفات الواردة تتعلق بالاستخدامات الأساسية للأداة الكهربائية. أما إذا تم استخدام الأداة الكهربائية في تطبيقات أخرى مع أدوات شغل مخالفة للمواصفات أو دون صيانة كافية، ففي هذه الحالة قد تختلف المواصفات. وقد يزيد هذا من نسبة المخاطر طوال مدة العمل بصورة واضحة.

وللحصول على تقدير دقيق لحجم المخاطر ينبغي أيضا مراعاة الأوقات التي يتم فيها إيقاف الجهاز أو التي يتم فيها تشغيل الجهاز ولكن دون استخدام حقيقي. وقد يقلل هذا من نسبة المخاطر طوال مدة العمل بصورة واضحة. احرص على اتخاذ إجراءات إضافية للسلامة من شأنها حماية المستخدم من تأثير الضجيج و/أو الاهتزازات مثل: صيانة الأداة الكهربائية وأدوات الشغل والمفاظ على الأيدي في حالة دافئة وتنظيم مراحل العمل.

#### قيم الضجيج المنبعث

SF 6H-A22	SF 6-A22	
91 ديسيبل (A)	78 ديسيبل (A)	مستوى ضغط الصوت المنبعث ( $L_{pM}$ )
3 ديسيبل (A)	3 ديسيبل (A)	نسبة التفاوت لمستوى ضغط الصوت ( $K_{pM}$ )
102 ديسيبل (A)	89 ديسيبل (A)	مستوى شدة الصوت ( $L_{WA}$ )
3 ديسيبل (A)	3 ديسيبل (A)	نسبة التفاوت لمستوى شدة الصوت ( $K_{WA}$ )

#### قيم الاهتزاز الإجمالية

SF 6H-A22	SF 6-A22	
2.8 م/ثانية <sup>2</sup>	1.4 م/ثانية <sup>2</sup>	قيمة الاهتزاز المنبعث للثقب في المعادن ( $a_{hD}$ )
1.5 م/ثانية <sup>2</sup>	1.5 م/ثانية <sup>2</sup>	نسبة التفاوت للثقب في المعادن (K)
1.1 م/ثانية <sup>2</sup>	0.8 م/ثانية <sup>2</sup>	قيمة الاهتزاز المنبعث لربط البراغي ( $a_h$ )
1.5 م/ثانية <sup>2</sup>	1.5 م/ثانية <sup>2</sup>	نسبة التفاوت لربط البراغي (K)
15.4 م/ثانية <sup>2</sup>	•/•	قيم الاهتزازات المنبعثة للثقب بالطرق في الخرسانة ( $a_{hD}$ )
1.5 م/ثانية <sup>2</sup>	•/•	نسبة التفاوت للثقب بالطرق في الخرسانة (K)

#### 5 الاستعمال

##### 1.5 تركيب البطارية



تحذير

**خطر الإصابة من خلال قفلة كهربائية أو سقوط البطارية!**

- تأكد قبل تركيب البطاريات في الجهاز من عدم وجود أجسام غريبة بين أطراف توصيل البطارية والجهاز.
- تأكد من تثبيت البطارية بشكل صحيح دائما.

1. اشمن البطارية لآخرها تماما قبل التشغيل لأول مرة.
2. قم بتحرك البطارية في المنتج إلى أن تستقر في موضعها بصوت مسموع.
3. تفحص البطارية من حيث ثباتها في موضعها بشكل جيد.

##### 2.5 خلع البطارية

1. اضغط على أزرار تحرير البطارية.
2. اخلع البطارية من الجهاز.



### 3.5 شحن البطارية

1. قبل الشحن، قم بقراءة دليل استعمال جهاز الشحن.
2. احرص على أن تكون أطراف تلامس البطارية وجهاز الشحن نظيفة وجافة.
3. قم بشحن البطارية باستخدام شاحن مصرع به. ← صفحة 121

### 4.5 تركيب المقبض الجانبي 2

#### ⚠️ احترس:

**خطر الإصابة!** فقدان السيطرة على المثقاب المطرقي.

- تأكد أن المقبض الجانبي مركب ومثبت بشكل سليم. تأكد من استقرار القامطات بشكل سليم في الحزوز المخصصة لذلك.

1. اضبط مفتاح التحويل يمينا/يسارا في الوضع الأوسط.
2. أدر المقبض، وذلك لغرض فك قامطات المقبض الجانبي.
3. قم بتركيب وسيلة تثبيت المقبض الجانبي بشكل كامل على الجسم وأدخل القامطات في الحزوز المخصصة لذلك.
4. أدر المقبض لشد وسيلة تثبيت المقبض الجانبي.

### 5.5 تركيب خطاف الحزام (اختياري) 3

#### ⚠️ تحذير

**خطر الإصابة.** الجهاز الذي يتعرض للسقوط قد يعرضك أنت والآخرين للخطر.

- تأكد قبل بدء العمل أن خطاف الحزام مثبت جيدا.

عن طريق خطاف الحزام يمكنك تثبيت الجهاز في الحزام بحيث يكون ملتصقا بالجسم. يمكن تركيب خطاف الحزام للارتداء على الجانب الأيمن والأيسر.

1. اخلع البطارية. ← صفحة 123
2. أدخل خطاف الحزام في الفتحة المخصصة بقاعدة المنتج.
3. ثبت خطاف الحزام باستخدام البرغيين.
4. قم بتركيب البطارية. ← صفحة 123

### 6.5 قم بتركيب ماسك الريش Hilti (اختياري) 4

1. اخلع البطارية. ← صفحة 123
2. أدخل ماسك الريش يمينا أو يسارا في الفتحة المخصصة لذلك بقاعدة المنتج.
3. قم بتثبيت ماسك الريش باستخدام البرغيين.
4. قم بتركيب البطارية. ← صفحة 123

### 7.5 تركيب تجهيزة التأمين ضد السقوط Hilti (تجهيز اختياري) 5

#### ⚠️ تنبيه

**أضرار بالمنتج و/أو حبل الإنزال.** في حالة الاستخدام غير المطابق للتعليمات فقد تلحق أضرار بالمنتج و/أو حبل الإنزال.

- لا تستخدم سلاسل معدنية كحبل إنزال. لا تستخدم أحبال إنزال تزيد أطوالها على 2,0 m (6 ft).

لتجنب حدوث أضرار، ينصح عند إجراء أعمال في وضعية مرتفعة استخدام تجهيزة التأمين ضد السقوط Hilti. تتبع تجهيزة التأمين ضد السقوط تثبيت أحبال حماية/أحزمة حماية. يُراعى ضرورة الالتزام باللوائح المحلية في حالة إجراء أعمال في وضعية مرتفعة أثناء العمل باستخدام المنتج.

1. اخلع البطارية. ← صفحة 123
2. قم بتمرير طرفي تجهيزة التأمين ضد السقوط داخل الفتحات الموجودة على جانبي قاعدة الجهاز.



3. قم بتثبيت تجهيزة التأمين ضد السقوط باستخدام البرغيين الخاصين بها.
4. قم بتركيب البطارية. ← صفحة 123

### 8.5 اختيار السرعة

← اختر السرعة.

### 9.5 ضبط الدوران جهة اليمين/اليسار

يوجد قفل يمنع التحويل عند ما يكون الموتور دائرا. في الوضع الأوسط يكون مفتاح التحكم مقفلا (مانع التشغيل).

← اضبط مفتاح تحويل الدوران جهة اليمين/اليسار حسب الدوران جهة اليمين أو اليسار.

### 10.5 تركيب/خلع أداة الشغل

1. اجعل مفتاح تحويل الدوران جهة اليمين/اليسار في الوضع الأوسط أو افضل البطارية من الجهاز.
2. افتح ملقمة الريش سريعة الربط.
3. أدخل أداة الشغل في ظرف تركيب الأدوات أو قم بخلعها.
4. أمكّم ربط ملقمة الريش سريعة الربط.
5. تأكد من الثبات الجيد لأداة الشغل.

### 11.5 الثقب

**احترس:**

**خطر الإصابة.** قد تتعرض أداة الشغل للإعاقة فجأة وبالتالي ينصرف الجهاز جانبا.  
← استخدم الجهاز دائما بواسطة المقبض الجانبي وأمسك الجهاز بكلتا اليدين.  
← أمسك المقبض الجانبي دائما من الخارج.

**احترس:**

**خطر الإصابة.** يمكن أن تتناثر أجزاء من المادة من خلال التعامل مع الأرضية.  
← استخدم واقياً للعينين.

← اضبط حلقة ضبط عزم الدوران والوظيفة على الرمز "ثقب" .

### 12.5 الثقب بالطرق

SF 6H-A22

← اضبط حلقة الضبط على وظيفة "الثقب بالطرق" .

### 13.5 ربط وحل البراغي

← اضبط عزم الدوران المطلوب من خلال حلقة ضبط عزم الدوران والوظيفة.

### 14.5 التشغيل

← اضغط على مفتاح التحكم.  
← يمكن اختيار عدد اللفات بسلاسة بدءاً من الحد الأدنى ووصولاً إلى الحد الأقصى لعدد اللفات.

### 15.5 الإيقاف

← اترك مفتاح التحكم.





تحذير

خطر الإصابة عند تكون البطارية مركبة!

◀ احرص على خلع البطارية دائما قبل جميع أعمال الإصلاح والعناية!

### العناية بالمنتج

- احرص على إزالة الاتساخات شديدة الالتصاق مع توخي الحرص.
- في حالة وجودها، قم بتنظيف فتحات التهوية بحرص باستخدام فرشاة جافة وناعمة.
- قم بتنظيف جسم المنتج باستخدام قطعة قماش مُبللة بعض الشيء. لا تستخدم مواد عناية محتوية على سيليكون، نظرًا لأنها قد تؤدي إلى تلف الأجزاء البلاستيكية.
- استخدم قطعة قماش نظيفة وجافة لتنظيف ملامسات المنتج.

### العناية ببطاريات أيونات الليثيوم

- لا تقم مطلقًا باستخدام بطارية ذات فتحات تهوية مسدودة. قم بتنظيف فتحات التهوية بحرص باستخدام فرشاة جافة وناعمة.
- تجنب تعريض البطارية للغبار أو الاتساخات دون داع. لا تقم مطلقًا بتعريض البطارية للرطوبة المرتفعة (على سبيل المثال، غمرها في الماء أو تركها تحت الأمطار).
- في حالة بلل البطارية، تعامل معها كبطارية تالفة. اعزل البطارية في وعاء غير قابل للاشتعال وتوجه إلى مركز خدمة Hilti.
- حافظ على البطارية خالية من الزيت والشحم الخارجي. لا تسمح للغبار أو الاتساخات بالتراكم دون داع على البطارية. قم بتنظيف البطارية باستخدام فرشاة جافة وناعمة أو قطعة قماش نظيفة وجافة. لا تستخدم مواد عناية محتوية على سيليكون، نظرًا لأنها قد تؤدي إلى تلف الأجزاء البلاستيكية.
- لا تلمس ملامسات البطارية ولا تقم بإزالة الشحم الموجود من قبل المصنع عن الملامسات.
- قم بتنظيف جسم المنتج باستخدام قطعة قماش مُبللة بعض الشيء. لا تستخدم مواد عناية محتوية على سيليكون، نظرًا لأنها قد تؤدي إلى تلف الأجزاء البلاستيكية.

### الصيانة

- احرص بصورة منتظمة على فحص الأجزاء المرئية من حيث وجود أضرار وافحص عناصر الاستعمال من حيث كفاءتها الوظيفية.
- لا تقم بتشغيل الجهاز في حالة وجود أضرار و/أو اختلالات وظيفية. احرص على إصلاح الجهاز على وجه السرعة لدى خدمة Hilti.
- بعد أعمال العناية والإصلاح قم بتركيب جميع تجهيزات الحماية وافحصها من حيث الأداء الوظيفي السليم.



للتشغيل الآمن اقتصر على استخدام قطع الغيار الأصلية وخامات الشغل. تجد قطع الغيار وخامات الشغل والملحقات المصرح بها من Hilti للمنتج الخاص بك في متجر Hilti Store أو على موقع الإنترنت: [www.hilti.group](http://www.hilti.group)

## 7 نقل وتخزين أدوات الشغل العاملة ببطارية والبطاريات

### النقل



احترس:

التشغيل غير مقصود عند النقل!

◀ قم بنقل المنتج دائما بدون البطاريات!

- ◀ اخلع البطارية/البطاريات.
- ◀ لا تقم بنقل البطاريات بكميات كبيرة. ينبغي أثناء النقل حماية البطاريات من الاصطدام العنيف والاهتزازات، وكذلك عزلها عن أية مواد موصلة للكهرباء أو أية بطاريات أخرى، وذلك حتى لا تتلامس مع أقطاب بطاريات أخرى ومن ثم حدوث قفلة كهربائية. احرص على مراعاة تعليمات النقل المحلية للبطاريات.
- ◀ لا يجوز إرسال البطاريات عن طريق البريد. توجه إلى شركة شحن، إذا كنت ترغب في إرسال بطاريات غير تالفة.
- ◀ افحص المنتج والبطاريات من حيث وجود أضرار قبل كل استخدام وقبل وبعد النقل لمسافة طويلة.



**أضرار غير مقصودة بسبب البطاريات التالفة أو التي بها تسريب!**

- ◀ قم بتخزين المنتج دائماً بدون البطاريات!
- ◀ احرص على تخزين المنتج والبطاريات في مكان بارد وجاف. احرص على مراعاة القيم الحدية لدرجات الحرارة الواردة في المواصفات الفنية.
- ◀ لا تحتفظ بالبطاريات على جهاز الشحن. قم دائماً بإزالة البطارية من الشاحن بعد انتهاء عملية الشحن.
- ◀ لا تقم أبداً بتخزين البطاريات تحت أشعة الشمس أو في مصادر الحرارة أو خلف الزجاج.
- ◀ احرص على تخزين المنتج والبطاريات والاحتفاظ به بعيداً عن تناول الأطفال والأشخاص غير المصرح لهم.
- ◀ افحص المنتج والبطاريات من حيث وجود أضرار قبل كل استخدام وقبل وبعد التخزين لفترة طويلة.

**8 المساعدة في حالات الاختلالات**

عند حدوث اختلالات غير مذكورة في الجدول أو يتعذر عليك معالجتها بنفسك، فيرجى التوجه إلى مركز خدمة Hilti.

**1.8 المساعدة في حالات الاختلالات**

الخلل	السبب المحتمل	الحل
المفك الآلي الثقاب لا يعمل.	البطارية غير مركبة بشكل سليم.	◀ قم بتركيب البطارية. ← صفحة 123
جميع لمبات LED الأريج تومض.	هناك تحميل زائد على المفك الآلي الثقاب لفترة قصيرة	◀ قم بتغيير البطارية واشحن البطارية الفارغة.
المفك الآلي الثقاب لا يعمل.	الحماية من السخونة المفرطة	◀ اترك مفتاح التحكم واضغط عليه مجدداً.
لمبة LED واحدة تومض.	المفك الآلي الثقاب لا يعمل.	◀ اترك المفك الآلي الثقاب يبرد وقم بتنظيف فتحات التهوية.
المفك الآلي الثقاب لا يعمل.	البطارية فارغة الشحن.	◀ قم بتغيير البطارية واشحن البطارية الفارغة.
البطارية شديدة البرودة.	اجعل البطارية تصل إلى درجة حرارة العمل الموصى بها.	◀ اجعل البطارية تصل إلى درجة حرارة العمل الموصى بها.
البطارية شديدة السخونة.	اجعل البطارية تصل إلى درجة حرارة العمل الموصى بها.	◀ اجعل البطارية تصل إلى درجة حرارة العمل الموصى بها.
يتعذر الثقب بالطرق.	وظيفة حلقة الضبط غير مضبوطة بشكل صحيح.	◀ اضبط حلقة الضبط على وظيفة "الثقب بالطرق"
لا يمكن الضغط على مفتاح التحكم أو المفتاح مقفل.	مفتاح تحويل الدوران يمينا/يسارا في الوضع الأوسط (وضع النقل).	◀ اضبط مفتاح التحويل يمينا/يسارا على وضع الدوران جهة اليمين أو اليسار. ← صفحة 125
سخونة شديدة بالمفك الآلي الثقاب أو البطارية.	عطل كهربائي	◀ أوقف المفك الآلي الثقاب على الفور، وأخرج البطارية، وتوجه إلى مركز خدمة Hilti.
هناك تحميل زائد على المفك الآلي الثقاب (تم تجاوز حد الاستخدام).	افحص حالة الاستخدام.	◀ افحص حالة الاستخدام.

**9 التكبين**

- خطر الإصابة من جراء التكبين غير المطابق للتعليمات! خطر على الصحة من جراء الغازات والسوائل المتسربة.**
- ◀ لا تقم بإرسال أو توريد بطاريات تالفة!
  - ◀ قم بتغطية التوصيلات باستخدام مادة غير موصلة للكهرباء وذلك لتجنب حدوث قفلات كهربائية.
  - ◀ تخلص من البطاريات بحيث لا تصل إلى تناول الأطفال.
  - ◀ تخلص من البطارية لدى متجر Hilti Store أو توجه إلى مركز التخلص من النفايات المختص.



منتجات Hilti مصنوعة بنسبة كبيرة من مواد قابلة لإعادة التدوير. يشترط إعادة التدوير أن يتم فصل الخامات بشكل سليم فنياً. في كثير من الدول تقوم Hilti باستعادة جهازك القديم لإعادة الانتفاع به. توجه بأستلثك لخدمة عملاء Hilti أو لمستشار المبيعات.

◀ لا تُلِق الأدوات الكهربائية، الأجهزة الإلكترونية والبطاريات ضمن القمامة المنزلية!



## 10 مواصفة RoHS (مواصفة تقييد استخدام المواد الخطيرة)

تجد جدولاً بالمواد الخطرة في الروابط التالية:

- [qr.hilti.com/r9370541](http://qr.hilti.com/r9370541) :SF 6-A22
  - [qr.hilti.com/r9370482](http://qr.hilti.com/r9370482) :SF 6H-A22
- تجد رابطاً بخصوص جدول RoHS في نهاية هذا المستند ككود QR.

## 11 ضمان الجبة الصانعة

◀ في حالة وجود أية استفسارات بخصوص شروط الضمان، يرجى التوجه إلى وكيل Hilti المحلي التابع لك.



# オリジナル取扱説明書

## 1 文書について

### 1.1 本書について

- ご使用前に本書をすべてお読みください。このことは、安全な作業と問題のない取扱いのための前提条件となります。
- 本書および製品に記載されている安全上の注意と警告表示に注意してください。
- 取扱説明書は常に製品とともに保管し、他の人が使用する場合には、製品と取扱説明書を一緒にお渡しください。

### 1.2 記号の説明

#### 1.2.1 警告表示

警告表示は製品の取扱いにおける危険について警告するものです。以下の注意喚起語が使用されています：



**危険**

危険！

- ▶ この表記は、重傷あるいは死亡事故につながる危険性がある場合に注意を促すために使われます。



**警告**

警告！

- ▶ この表記は、重傷あるいは死亡事故につながる可能性がある場合に注意を促すために使われます。



**注意**

注意！

- ▶ この表記は、身体の負傷あるいは物財の損傷が発生する可能性がある場合に使われます。

#### 1.2.2 取扱説明書の記号

この取扱説明書では、以下の記号が使用されています：

	取扱説明書に注意してください
	本製品を効率良く取り扱うための注意事項や役に立つ情報
	リサイクル可能な部品の取扱い
	電動工具およびバッテリーを一般ゴミとして廃棄してはなりません
	Hilti Li-Ion バッテリー
	Hilti 充電器

#### 1.2.3 図中の記号

図中では以下の記号が使用されています：

	この数字は本取扱説明書冒頭にある該当図を示しています。
3	付番は図中の作業手順の順序に対応していて、本文の作業手順とは一致しない場合があります。
	概要図には項目番号が付されていて、製品概要セクションの凡例の番号に対応しています。
	この記号は、製品の取扱いの際に特に注意が必要なことを示しています。



### 1.3 製品により異なる記号

#### 1.3.1 製品に表示されている記号

製品には以下の記号が使用されている場合があります：

	本製品は、iOS および Android プラットフォームと互換性のある無線データ転送をサポートしていません。
	使用されているHilti Li-Ion バッテリーのモデルシリーズ。正しい使用の章の記載に注意してください。
Li-Ion	Li-Ionen バッテリー
	バッテリーは決して打撃工具として使用しないでください。
	バッテリーは落下させないでください。ぶつかけたり、あるいはその他の理由で損傷しているバッテリーは使用しないでください。
==	直流
	回転のみ
	回転 + 打撃 (回転 + 打撃)
	電気絶縁保護クラス II (二重絶縁)
$n_0$	無負荷回転数
/min	毎分回転数

#### 1.4 製品情報

製品はプロ仕様で製作されており、その使用、保守、修理を行うのは、認定を受けトレーニングされた人のみに限ります。これらの人は、遭遇し得る危険に関する情報を入手していなければなりません。製品およびアクセサリの使用法を知らない者による誤使用、あるいは規定外の使用は危険です。機種名および製造番号は銘板に表示されています。

▶ 製造番号を以下の表に書き写しておいてください。ヒルティ代理店やサービスセンターへお問い合わせの際には、製品データが必要になります。

##### 製品データ

ドリルドライバー	SF 6-A22   SF 6H-A22
製品世代	02
製造番号：	

#### 1.5 適合宣言

当社は、単独の責任において本書で説明している製品が有効な基準と標準規格に適合していることを宣言します。適合宣言書の複写は本書の末尾にあります。

技術資料は本書の後続の頁に記載されています：

Hilti Entwicklungsgesellschaft mbH | Zulassung Geräte | Hiltistraße 6 | 86916 Kaufering, DE

## 2 安全

### 2.1 電動工具の一般安全注意事項

**⚠ 警告事項** 本電動工具に付属のすべての安全上の注意、指示事項、図、および製品仕様をお読みください。以下の指示を守らないと、感電、火災および / または重傷事故の危険があります。

安全上の注意および指示事項が書かれた説明書はすべて大切に保管してください。

安全上の注意で使用する用語「電動工具」とは、お手持ちの電動ツール（電源コード使用）またはバッテリーツール（コードレス）を指します。





## 作業環境に関する安全

- ▶ 作業場はきれいに保ち、十分に明るくしてください。ちらかった暗い場所での作業は事故の原因となります。
- ▶ 爆発の危険性のある環境（可燃性液体、ガスおよび粉じんのある場所）では電動工具を使用しないでください。電動工具から火花が飛散し、粉じんや揮発性ガスに引火する恐れがあります。
- ▶ 電動工具の使用時、子供や無関係者を作業場へ近づけないでください。作業中に気がそらされると、本体のコントロールを失ってしまう恐れがあります。

## 電気に関する安全注意事項

- ▶ 電動工具の接続プラグは電源コンセントにきちんと適合しなければなりません。プラグは絶対に変更しないでください。保護接地した電動工具と一緒にアダプタープラグを使用しないでください。オリジナルのプラグと適切なコンセントを使用することにより、感電の危険を小さくすることができます。
- ▶ パイプ、ラジエーター、電子レンジ、冷蔵庫などのアースされた面に体の一部が触れないようにしてください。体が触れると感電の危険が大きくなります。
- ▶ 電動工具を雨や湿気から保護してください。電動工具に水が浸入すると、感電の危険が大きくなります。
- ▶ 電動工具を持ち運んだり、吊り下げたり、コンセントからプラグを抜いたりするときは、必ず本体を持ち、電源コードを持ったり引っ張ったりしないでください。電源コードを火気、オイル、鋭利な刃物、可動部等に触れる場所に置かないでください。電源コードが損傷したり絡まったりしていると、感電の危険が大きくなります。
- ▶ 屋外工事の場合には、必ず屋外専用の延長コードを使用してください。屋外専用の延長コードを使用すると、感電の危険が小さくなります。
- ▶ 湿った場所で電動工具を動作させる必要がある場合は、漏電遮断器を使用してください。漏電遮断器を使用すると、感電の危険が小さくなります。

## 作業者に関する安全

- ▶ 電動工具を使用の際には、油断せずに十分注意し、常識をもった作業をおこなってください。疲れている場合、薬物、医薬品服用およびアルコール飲用による影響下にある場合には電動工具を使用しないでください。電動工具使用中の一瞬の不注意が重傷の原因となることがあります。
- ▶ 個人用保護具および保護メガネを常に着用してください。負傷の危険を低減するために、電動工具の使用状況に応じた粉じんマスク、耐滑性の安全靴、ヘルメット、耳栓などの個人用保護具を着用してください。
- ▶ 電動工具の意図しない始動を防止して下さい。電動工具を電源および / またはバッテリーに接続する前や本体を持ち上げたり運んだりする前に、本体がオフになっていることを必ず確認してください。オン / オフスイッチが入っている状態で電動工具のスイッチに指を掛けたまま運んだり、電源に接続したりすると、事故の原因となります。
- ▶ 電動工具のスイッチを入れる前に、必ず調節キーやレンチを取り外してください。調節キーやレンチが本体の回転部に装着されたままでは、けがの原因となる恐れがあります。
- ▶ 作業中は不安定な姿勢をとらないでください。足を安定させ、常にバランスを保つようにしてください。これにより、万一電動工具が異常状況に陥った場合にも、適切な対応が可能となります。
- ▶ 作業に適した作業着を着用してください。だぶだぶの衣服や装身具を着用しないでください。髪、衣服、手袋を本体の可動部に近づけないでください。だぶだぶの衣服、装身具、長い髪が可動部に巻き込まれる恐れがあります。
- ▶ 吸じんシステムの接続が可能な場合には、これらのシステムが適切に接続、使用されていることを確認してください。吸じんシステムを利用することにより、粉じん公害を防げます。
- ▶ 電動工具の取扱いに熟練している場合にも、正しい安全対策を遵守し、電動工具に関する安全規則を無視しないでください。不注意な取扱いは、ほんの一瞬で重傷事故を招くことがあります。

## 電動工具の使用および取扱い

- ▶ 無理のある使用を避けてください。作業用途に適した電動工具を使用してください。適切な電動工具の使用により、効率よく、スムーズかつ安全な作業が行えます。
- ▶ スwitchが故障している場合には、電動工具を使用しないでください。スイッチで始動および停止操作のできない電動工具は危険ですので、修理が必要です。
- ▶ 本体の設定やアクセサリーの交換を行う前や本体を保管する前には電源プラグをコンセントから抜き、および / または脱着式のバッテリーを取り外してください。この安全処置により、電動工具の意図しない始動を防止することができます。
- ▶ 電動工具をご使用にならない場合には、子供の手の届かない場所に保管してください。電動工具に関する知識のない方、本説明書をお読みでない方による本体のご使用は避けてください。未経験者による電動工具の使用は危険です。
- ▶ 電動工具とアクセサリーは慎重に手入れしてください。可動部分が引っ掛かりなく正常に作動しているか、電動工具の運転に影響を及ぼす各部分が破損・損傷していないかを確認してください。電動工具をご使用になる前に、損傷部分の修理を依頼してください。事故の多くは保守管理の不十分な電動工具の使用が原因となっています。



- ▶ 先端工具は鋭利で汚れのない状態を保ってください。お手入れのゆきとどいた先端工具を使用すると、作業が簡単かつ、スムーズになります。
- ▶ 電動工具、アクセサリ、先端工具などは、それらの説明書に記載されている指示に従って使用してください。その際は、作業環境および用途についてもご注意ください。指定された用途以外に電動工具を使用すると危険な状況をまねく恐れがあります。
- ▶ グリップとグリップ面は乾燥した清潔な状態に保ち、オイルやグリスの付着がないようにしてください。グリップやグリップ面が滑りやすい状態になっていると、予期していない状況が発生した際に電動工具を安全に使用 / 制御できません。

#### バッテリー工具の使用および取扱い

- ▶ バッテリーを充電する場合は、必ずメーカー推奨の充電器を使用してください。特定タイプのバッテリー専用の充電器を他のバッテリーに使用すると、火災の恐れがあります。
- ▶ 電動工具には、必ず指定されたバッテリーを使用してください。指定以外のバッテリーを使用すると、負傷や火災の恐れがあります。
- ▶ 使用されていないバッテリーの近くに、事務用クリップ、硬貨、キー、釘、ネジ、その他の小さな金属物を置かないでください。電気接点の短絡が起こることがあります。バッテリーの電気接点間が短絡すると、火傷や火災が発生する危険があります。
- ▶ 正しく使用しないと、液漏れが発生することがあります。その場合、漏れた液には触れないでください。もしも触れてしまった場合は、水で洗い流してください。バッテリー液が眼に入った場合は、水で洗い流してから医師の診察を受けてください。流出したバッテリー液により、皮膚が刺激を受けたり火傷を負う恐れがあります。
- ▶ 損傷したあるいは変更が加えられたバッテリーは使用しないでください。損傷したあるいは変更が加えられたバッテリーは、予測不可能な挙動により爆発あるいは負傷事故を発生させる危険があります。
- ▶ バッテリーは火気あるいは高温に曝さないでください。火気あるいは 130 °C (265 °F) を超える高温は、爆発の原因となることがあります。
- ▶ 充電に関するすべての指示事項に従い、バッテリーあるいはバッテリー工具は、決して取扱説明書に記載された温度範囲外で充電しないでください。正しくない充電あるいは許容温度範囲外での充電により、バッテリーが破壊され火災が発生する危険があります。

#### サービス

- ▶ 電動工具の修理は必ず認定サービスセンターにお申し付けください。また、必ず純正部品を使用してください。これにより電動工具の安全性が確実に維持されます。
- ▶ 損傷したバッテリーは決して手入れや保守を行わないでください。バッテリーの保守作業はすべて、メーカーあるいは権限のあるお客様サービスセンターが行うものとします。

## 2.2 ドリルに関する安全上の注意

### すべての作業に関する安全上の注意

- ▶ 打撃 + 回転の際は耳栓を着用してください。騒音により、聴覚に悪影響が出る恐れがあります。
- ▶ 補助グリップを使用してください。コントロールを失うと負傷の危険があります。
- ▶ 隠れた電線に先端工具またはねじが接触する可能性のある作業を行う場合は、電動工具を絶縁されたグリップ面で保持するようにしてください。通電しているケーブルと接触すると、本体の金属部分にも電圧がかかり、感電の危険があります。

### 長いドリルビットを使用する際の安全上の注意

- ▶ 決してドリルビットの最大許容回転数を超過する回転数で作業しないでください。回転数が高くてドリルビットが作業材料と接触せず自由に回転できる状態にあると、ドリルビットは簡単に曲がってしまふことがあり、これが負傷の原因となることがあります。
- ▶ 穿孔作業は、常にドリルビットが作業材料と接触している状態で低い回転数から始めるようにしてください。回転数が高くてドリルビットが作業材料と接触せず自由に回転できる状態にあると、ドリルビットは簡単に曲がってしまうことがあり、これが負傷の原因となることがあります。
- ▶ 過度な力を加えず、常にドリルビットの縦方向にのみ力が作用するようにしてください。ドリルビットは曲がって折れてしまうこと、あるいはコントロールを失って負傷の原因となることがあります。

### 攪拌バスケットおよび攪拌ブランジャーを使用する際の安全上の注意

- ▶ 電動工具のオン / オフは、必ず攪拌バスケットが攪拌する物質内にある状態で行ってください。そうしないと、コントロールを失って負傷する危険があります。

## 2.3 スクリュードライバーに関するその他の安全上の注意

### 作業者に関する安全

- ▶ 本製品とアクセサリは、必ず技術的に問題のない状態で使用してください。
- ▶ 本製品あるいはアクセサリには、決して加工や改造を加えないでください。



- ▶ 製品と一緒に納品された補助ハンドルを使用してください。コントロールを失うとけがをする恐れがあります。
- ▶ 本製品は、常に両手でグリップを掴んでしっかりと保持してください。グリップは乾燥した清潔な状態を保ってください。
- ▶ 回転部品に触れないでください - 負傷の危険！
- ▶ 本製品の使用中は、適切な保護メガネ、保護ヘルメット、耳栓および防じんマスクを着用してください。
- ▶ 先端工具の交換時には保護手袋を着用してください。先端工具に触れると、切創事故や火傷の原因となることがあります。
- ▶ アイシールドを着用してください。破片が身体の一部、眼などを傷つけることもあります。
- ▶ 研磨、紙やすり研磨、切断および穿孔の際に発生する粉じんは、化学物質を含んでいる場合があります。これには、鉛、あるいは鉛ベースの塗料、レンガ、コンクリートおよびその他の壁用資材、自然石およびその他の珪酸塩含有製品、樫、樺などの特定の木材、および化学処理の施された木材、アスベストあるいはアスベストが含まれる母材、などが考えられます。作業対象の資材の危険等級により、作業者および周囲の人員の曝露を確認してください。曝露を安全なレベルに維持するために、粉じん吸引システムの使用、あるいは適切な防じんマスクの着用などの必要な処置を取ってください。曝露の低減のための一般的な処置としては、以下のようなものがあります：
  - ▶ 十分に換気された領域での作業
  - ▶ 粉じんと長時間の接触の回避
  - ▶ 粉じんを顔や体から遠ざける
  - ▶ 保護服を着用し、水と石鹼で曝露領域を洗浄する。
- ▶ 頻繁に休憩を取って、指を動かして血行を良くするように心がけてください。長時間作業の際には、強い振動により指、手あるいは手首の関節の血管あるいは神経系に障害が発生する可能性があります。

#### 電気に関する安全注意事項

- ▶ 作業を開始する前に、作業領域に埋設された電線、ガス管や水道管がないかを調査してください。電線、ガス管あるいは水道管を損傷すると、本製品外側の金属部分での感電事故、あるいは爆発が発生する可能性があります。

#### 電動工具の慎重な取扱いおよび使用

- ▶ 先端工具がブロックしたら直ちに本製品をオフにします。本製品が横にそれることがあります。
- ▶ 本製品は完全に停止するまで置かないでください。

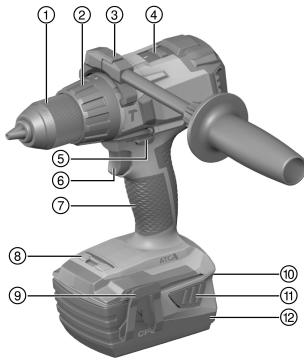
#### 2.4 バッテリーの慎重な取扱いおよび使用

- ▶ Li-Ion バッテリーの搬送、保管、作動については特別規定を守ってください。
- ▶ バッテリーは高温、直射日光および火気を避けて保管してください。
- ▶ バッテリーを分解したり、挟んだり、80 °C (176°F) 以上に加熱したり、燃やしたりしないでください。
- ▶ 衝撃を受けたことのあるバッテリー、1 m を超える高さから落下したことのあるバッテリー、あるいはその他の損傷を被っているバッテリーを使用あるいは充電しないでください。この場合には、必ず最寄りの Hilti サービスセンターにご連絡ください。
- ▶ バッテリーが掴むことのできないほどに熱くなっている場合は、故障している可能性があります。バッテリーを、目視確認が可能で可燃物のない場所に、可燃性の資材から十分な距離を設けて置いてください。バッテリーを冷ます。1 時間の経過後にも掴むことのできないほどに熱い場合は、そのバッテリーは故障している可能性があります。Hilti サービスセンターに連絡してください。



### 3 製品の説明

#### 3.1 概要



- ① クイックリリースチャック
- ② トルクおよび機能の設定リング
- ③ サイドハンドル
- ④ 速度選択スイッチ
- ⑤ 正回転 / 逆回転切り替えスイッチ (スイッチオンロック付き)
- ⑥ 無段変速スイッチ (回転数電子制御式)
- ⑦ グリップ
- ⑧ 作業用照明
- ⑨ ベルトフック (オプション)
- ⑩ 充電状態および故障インジケーター (Li-Ion バッテリー)
- ⑪ バッテリーリリースボタン
- ⑫ バッテリー

#### 3.2 正しい使用

本書で説明している製品は、手持ち式の充電式ドリルドライバーです。この製品は、鋼材、木材、プラスチック、軽量コンクリート、レンガへの穿孔、およびねじの取付け / 取外しのためのものです。

- ▶ 本製品には、必ず **Hilti** の B 22 シリーズの Li-Ion バッテリーを使用してください。
- ▶ これらのバッテリーには、必ず **Hilti** の C4/36 シリーズの充電器を使用してください。

#### 3.3 本体標準セット構成

ドリルドライバー、サイドハンドル、取扱説明書。

その他の本製品用に許可されたシステム製品については、弊社営業担当または **Hilti Store** にお問い合わせいただくか、あるいは [www.hilti.group](http://www.hilti.group) | USA: [www.hilti.com](http://www.hilti.com) でご確認ください。

#### 3.4 Li-Ion バッテリーのインジケーター

Li-Ion バッテリーの充電状態および本体の不具合は、Li-Ion バッテリーのインジケーターにより表示されます。Li-Ion バッテリーの充電状態は、2つのバッテリーリリースボタンのいずれかを押すと表示されます。

状態	意味
4 個の LED が点灯。	充電状態 : 75 %...100 %
3 個の LED が点灯。	充電状態 : 50 %...75 %
2 個の LED が点灯。	充電状態 : 25 %...50 %
1 個の LED が点灯。	充電状態 : 10 %...25 %
1 個の LED が点滅。	充電状態 : < 10 %
1 個の LED が点滅、本体は作動不能状態。	バッテリーが過熱あるいは完全に放電している。
4 個の LED が点滅、本体は作動不能状態。	本体の過負荷あるいは過熱。

- i** コントロールスイッチの操作中、およびこのスイッチから指を放してから 5 秒が経過するまでの間は、充電状態を確認することはできません。  
バッテリーのインジケーターの LED が点滅している場合は、「故障時のヒント」の章の注意事項を確認してください。

#### 3.5 ATC

製品は、アクティブトルクコントロール ATC (Active Torque Control) を装備しています。

先端工具がブロックしたりあるいは噛むと、製品は突然に作業者の操作によらずに反対方向へ回転します。ATC は製品のこの突然の回転動作を検知し、製品を直ちにオフにします。





正しく動作するためには製品が回転できる必要があります。  
シャットオフ機能が正常に作動した後は、製品をオフにして再びオンにします。

### 3.6 過負荷および過熱インジケータ

本体には電子過負荷保護機構および過熱保護機構が装備されています。過負荷あるいは過熱の際、本体は自動的にオフになります。コントロールスイッチを放して押し直すと、オンになるまでに時間がかかる場合があります（本体の冷却段階）。

## 4 製品仕様

	SF 6-A22	SF 6H-A22
定格電圧	21.6 V <sub>DC</sub>	21.6 V <sub>DC</sub>
EPTA Procedure 01 に準拠した重量 (B228.0 バッテリーを含む)	3.1 kg	3.1 kg
全負荷回転数	1 速	0/min ... 490/min
	2 速	0/min ... 2,000/min
トルク (軟材質ネジ用)	≤ 65 Nm	≤ 65 Nm
全負荷打撃数	*/*	36,000/min
作動時の周囲温度	-17 °C ... 60 °C	-17 °C ... 60 °C
保管温度	-20 °C ... 70 °C	-20 °C ... 70 °C

### 4.1 バッテリー

バッテリー作動電圧	21.6 V
作動時の周囲温度	-17 °C ... 60 °C
保管温度	-20 °C ... 40 °C
充電開始時のバッテリー温度	-10 °C ... 45 °C

### 4.2 先端工具の許容直径

Ø クイックリリースチャックのクランプ範囲	1.5 mm ... 13 mm
Ø 木工用ドリルビット (ハード)	1.5 mm ... 20 mm
Ø 木工用ドリルビット (ソフト)	1.5 mm ... 32 mm
Ø 鉄工用ドリルビット	1.5 mm ... 13 mm
Ø コンクリート / 石材への穿孔 (打撃 + 回転)	4 mm ... 12 mm

### 4.3 騒音および振動値について (EN 62841 準拠)

本説明書に記載されているサウンドプレッシャー値および振動値は、規格に準拠した測定方法に基づいて測定したものです。電動工具を比較するのにご使用いただけます。曝露値の暫定的な予測にも適しています。記載されているデータは、電動工具の主要な使用方法に対する値です。電動工具を他の用途で使用したり、異なる先端工具を取り付けて使用したり、手入れや保守が十分でないまま使用した場合には、データが異なることがあります。このような相違により、作業時間全体で曝露値が著しく高くなる可能性があります。曝露値を正確に予測するためには、本体のスイッチをオフにしている時間や、本体が作動していても実際には使用していない時間も考慮しなければなりません。このような相違により、作業時間全体で曝露値が著しく低くなる可能性があります。

作業者を騒音および / または振動による作用から保護するために、他にも安全対策を立ててください（例：電動工具および先端工具の手入れや保守、手を冷やさないようにする、作業手順の編成）。

#### 騒音排出値

	SF 6-A22	SF 6H-A22
排出サウンドプレッシャーレベル (L <sub>pA</sub> )	78 dB(A)	91 dB(A)
サウンドプレッシャーレベルの不確か性 (K <sub>pA</sub> )	3 dB(A)	3 dB(A)



	SF 6-A22	SF 6H-A22
サウンドパワーレベル ( $L_{WA}$ )	89 dB(A)	102 dB(A)
サウンドパワーレベルの不確か性 ( $K_{WA}$ )	3 dB(A)	3 dB(A)

#### 合計振動値

	SF 6-A22	SF 6H-A22
金属への穿孔の排出振動値 ( $a_{h, D}$ )	1.4 m/s <sup>2</sup>	2.8 m/s <sup>2</sup>
金属への穿孔の不確か性 (K)	1.5 m/s <sup>2</sup>	1.5 m/s <sup>2</sup>
ねじ締めへの排出振動値 ( $a_n$ )	0.8 m/s <sup>2</sup>	1.1 m/s <sup>2</sup>
ねじ締めの不確か性 (K)	1.5 m/s <sup>2</sup>	1.5 m/s <sup>2</sup>
コンクリートへの回転 + 打撃の排出振動値 ( $a_{h, D}$ )	*/•	15.4 m/s <sup>2</sup>
コンクリートへの回転 + 打撃の不確か性 (K)	*/•	1.5 m/s <sup>2</sup>

## 5 ご使用方法

### 5.1 バッテリーを装着する

#### 警告

負傷の危険 短絡あるいはバッテリーの落下！

- ▶ バッテリーを装着する前に、バッテリーの電気接点と製品の電気接点に異物がないことを確認してください。
- ▶ バッテリーが正しくロックされていることを常に確認してください。

1. はじめてお使いになる前にバッテリーをフル充電してください。
2. ロックの音が聞こえるまでバッテリーを製品へとスライドさせます。
3. バッテリーがしっかりと装着されていることを確認してください。

### 5.2 バッテリーを取り外す

1. バッテリーのリリースボタンを押します。
2. 本体からバッテリーを抜き取ります。

### 5.3 バッテリーを充電する

1. 充電の前に充電器の取扱説明書をお読みください。
2. バッテリーと充電器の電気接点は汚れがなく、乾燥していることを確認してください。
3. バッテリーは許可された充電器で充電してください。→ 頁 134

### 5.4 サイドハンドルを取り付ける

#### 注意

負傷の危険！ ロータリーハンマードリルのコントロールの喪失。

- ▶ サイドハンドルが正しく取り付けられ、しっかりと固定されていることを確認してください。クランプが溝に正しくはまっていることを確認してください。

1. 正回転 / 逆回転切り替えスイッチを中立の位置にします。
2. グリップを回してサイドハンドルのクランプを緩めます。
3. サイドハンドルのホルダーを完全に本体に取り付け、クランプをスライドさせて溝へはめ込みます。
4. グリップを回してサイドハンドルのホルダーを張ります。

### 5.5 ベルトフックを取り付ける (オプション)

#### 警告

負傷の危険。本体が落下してご自身あるいは他の方が怪我をする恐れがあります。

- ▶ 作業を開始する前に、ベルトフックが確実に固定されていることを確認してください。



**i** ベルトフックにより、本体を体に接触させてベルトに固定することができます。ベルトフックは、体の右側で使用するようにも左側で使用するようにも取り付けすることができます。

1. バッテリーを取り外します。→ 頁 136
2. ベルトフックを本製品脚部の開口部に差し込みます。
3. ベルトフックを 2 本のねじで固定します。
4. バッテリーを装着します。→ 頁 136

#### 5.6 Hilti ビットホルダーを取り付ける (オプション)

1. バッテリーを取り外します。→ 頁 136
2. ビットホルダーを本製品脚部左または右の開口部に差し込みます。
3. ビットホルダーを 2 本のねじで固定します。
4. バッテリーを装着します。→ 頁 136

#### 5.7 Hilti 落下暴発防止装置を取り付ける (オプション)

##### 注意

製品および / または落下防止ロープの損傷。不適切な取扱は、製品および / または落下防止ロープの損傷の原因となることがあります。

- ▶ 金属チェーンを落下防止ロープとして使用しないでください。2,0 m (6 ft) を超過する落下防止ロープは使用しないでください。

**i** 損傷を防止するために、高い位置での作業の際にはHilti 落下暴発防止装置を使用されることをお勧めします。

落下暴発防止装置は、保持ザイル / 保持ベルトによる固定を可能にします。

本製品を使用しての高所での作業の際は、各国の定めるガイドラインを必ず守ってください。

1. バッテリーを取り外します。→ 頁 136
2. 落下暴発防止装置の両方のラグを、本体脚部の両側にあるスリットに差し込みます。
3. 落下暴発防止装置を付属のネジで固定します。
4. バッテリーを装着します。→ 頁 136

#### 5.8 速度を選択する

- ▶ 速度を選択します。

#### 5.9 正逆回転を設定する

**i** モーター回転中は、ロック機能によりスイッチの切り替えができなくなります。中立の位置では、コントロールスイッチはブロックされます (スイッチオンロック)。

- ▶ 正回転 / 逆回転切り替えスイッチを正回転あるいは逆回転位置にします。

#### 5.10 先端工具を装着 / 取り外す

1. 正回転 / 逆回転切り替えスイッチを中立位置にするか、またはバッテリーを本体から取り外します。
2. クイックリリースチャックを開きます。
3. 先端工具をチャックに装着します / チャックから取り外します。
4. クイックリリースチャックを回してしっかりと締めます。
5. 先端工具がしっかりと固定されているか確認します。



## 5.11 穿孔 (回転のみ)

### 注意

負傷の危険。先端工具が突然停止して本体が側方へ降られることがあります。

- ▶ 本体はサイドハンドルを付けて使用し、常に両手で確実に保持してください。
- ▶ サイドハンドルは常に外側を掴んでください。

### 注意

負傷の危険。母材の破片が生じる危険があります。

- ▶ アイシールドを着用してください。

- ▶ トルクおよび機能の設定リングを「穿孔 (回転のみ)」 の印に合わせます。

## 5.12 打撃 + 回転

SF 6H-A22

- ▶ 設定リングを「打撃 + 回転」 機能に設定します。

## 5.13 ねじ締め

- ▶ トルクおよび機能の設定リングで必要なトルクを設定します。

## 5.14 スイッチオン

- ▶ コントロールスイッチを押します。
  - ▶ 最小回転数から最大回転数までを無段階で選択できます。

## 5.15 スイッチオフ

- ▶ コントロールスイッチから指を放します。

## 6 手入れと保守

### 警告

バッテリーを装着した状態における負傷の危険！

- ▶ 手入れや保守作業の前に必ずバッテリーを取り外してください！

### 製品の手入れ

- 付着した汚れを慎重に除去してください。
- 汚れが付着している場合は、通気溝を乾いた柔らかいブラシを使用して慎重に掃除してください。
- 必ず少し湿した布でハウジングを拭いてください。シリコンを含んだ磨き粉はプラスチック部品をいためる可能性があるため使用しないでください。
- 本製品の電気接点を清掃するには、清潔な乾いた布を使用してください。

### Li-Ion バッテリーの手入れ

- 通気溝が詰まっているバッテリーは決して使用しないでください。通気溝を乾いた柔らかいブラシを使用して慎重に掃除してください。
- バッテリーを不必要に粉じんや汚れに曝さないようにしてください。バッテリーは、決して高い湿度に曝さないでください (例：水中に沈める、あるいは雨中に放置する)。  
水分が浸入したバッテリーは、損傷したものとして取り扱ってください。そのようなバッテリーは不燃性の容器に隔離し、Hilti サービスセンターにご連絡ください。
- バッテリーには、本製品に使用しているのではないオイルやグリスが付着しないようにしてください。バッテリーに不必要な粉じんあるいは汚れが堆積しないようにしてください。バッテリーは、乾いた柔らかいブラシまたは乾いた布で清掃してください。シリコンを含んだ磨き粉はプラスチック部品をいためる可能性があるため使用しないでください。  
バッテリーの電気接点に手を触れないでください、また、工場出荷時に塗布されているグリスを電気接点からぬぐい取らないでください。
- 必ず少し湿した布でハウジングを拭いてください。シリコンを含んだ磨き粉はプラスチック部品をいためる可能性があるため使用しないでください。





## 保守

- 目視確認可能なすべての部品については損傷の有無を、操作エレメントについては問題なく機能することを定期的に点検してください。
- 損傷および/または機能に問題のある場合は、本製品を使用しないでください。速やかにHilti サービスセンターに本製品の修理を依頼してください。
- 手入れおよび保守作業の後は、すべての安全機構を取り付けて、それらが問題なく作動するか点検してください。



安全な作動のために、必ず純正のスペアパーツと消耗品を使用してください。本製品向けにHilti が承認したスペアパーツ、消耗品およびアクセサリは、弊社営業担当またはHilti Store お問い合わせいただくか、あるいは[www.hilti.group](http://www.hilti.group)

## 7 バッテリー式工具およびバッテリーの搬送および保管

### 搬送



#### 注意

#### 搬送時の予期しない始動！

- お使いの製品は、必ずバッテリーを装着していない状態で搬送してください！
- バッテリーを取り外してください。
- バッテリーは決して梱包しない状態で搬送しないでください。搬送中のバッテリーは、他のバッテリー電極と接触して短絡の原因となることを防ぐために、過大な衝撃や振動から保護し、あらゆる導電性の物体あるいは他のバッテリーから隔離する必要があります。バッテリーの搬送に関する各国（地域）の規則を遵守してください。
- バッテリーは郵送しないでください。損傷していないバッテリーを送付する場合は、運送業者を手配してください。
- 使用の前にその都度、また長距離の搬送の前には、製品とバッテリーに損傷がないか点検してください。

### 保管上の注意事項



#### 警告

#### 故障したあるいは液漏れしたバッテリーによる予期しない損傷！

- お使いの製品は、必ずバッテリーを装着していない状態で保管してください！
- 製品とバッテリーは涼しく乾燥した場所に保管してください。製品仕様に記載されている温度の限界値に注意してください。
- バッテリーは充電器内で保管しないでください。充電の後は、必ずバッテリーを充電器から取り出してください。
- バッテリーを太陽の直射下、熱源の上、窓際等で保管しないでください。
- 製品およびバッテリーは、子供や権限のない人が手を触れることのないようにして保管してください。
- 使用の前にその都度、また長期にわたる保管の前には、製品とバッテリーに損傷がないか点検してください。

## 8 故障時のヒント

この表に記載されていない、あるいはご自身で解消することのできない故障が発生した場合には、弊社営業担当またはHilti サービスセンターにご連絡ください。

### 8.1 故障時のヒント

故障	考えられる原因	解決策
ドリルドライバーが作動しない。	バッテリーが正しく装着されていない。	▶ バッテリーを装着します。 → 頁 136
	バッテリーが放電している。	▶ バッテリーを交換し、空のバッテリーを充電する。
4 個の全ての LED が点滅。 ドリルドライバーが作動しない。	ドリルドライバーに短期的に過負荷がかかっている。	▶ コントロールスイッチから指を放し、改めてコントロールスイッチを操作する。



故障	考えられる原因	解決策
4 個の全ての LED が点滅。 ドリルドライバーが作動しない。	過熱保護機構	▶ ドリルドライバーを冷まし、通気溝を清掃する。
1 個の LED が点滅。 ドリルドライバーが作動しない。	バッテリーが放電している。	▶ バッテリーを交換し、空のバッテリーを充電する。
	バッテリーの温度が低すぎる。	▶ バッテリーを推奨運転温度にする。
	バッテリーの温度が高すぎる。	▶ バッテリーを推奨運転温度にする。
SF 6H-A22 打撃 + 回転が不可能。	設定リングの機能が正しく設定されていない。	▶ 設定リングを「打撃 + 回転」 機能に設定する。
コントロールスイッチが押せない、あるいは動かない。	正回転 / 逆回転切り替えスイッチが中立位置 (トランスポートロック位置)。	▶ 正回転 / 逆回転切り替えスイッチを正回転あるいは逆回転位置にします。→ 頁 137
ドリルドライバーあるいはバッテリーが熱くなっている。	電氣的故障	▶ ドリルドライバーを直ちにオフにしてバッテリーを取り外し、Hilti サービスセンターに連絡する。
	ドリルドライバーの過負荷 (適用基準を超えている)。	▶ 使用条件を確認する。

## 9 廃棄

### 警告

誤った廃棄による負傷の危険！ 漏出するガスあるいはバッテリー液により健康を損なう危険があります。

- ▶ 損傷したバッテリーを送付しないでください！
- ▶ 短絡を防止するために接続部を非導電性のもので覆ってください。
- ▶ バッテリーは子供が手を触れることのないように廃棄してください。
- ▶ バッテリーの廃棄は、最寄りのHilti Store あるいは適切な廃棄物処理業者に依頼してください。

Hilti 製品の大部分の部品はリサイクル可能です。リサイクル前にそれぞれの部品は分別して回収されなければなりません。多くの国でHilti は、古い工具をリサイクルのために回収しています。詳細については弊社営業担当またはHilti 代理店・販売店にお尋ねください。



- ▶ 電動工具、電子機器およびバッテリーを一般ゴミとして廃棄してはなりません！

## 10 RoHS (有害物質使用制限に関するガイドライン)

下記のリンクより、有害物質を記載した表を確認できます：

- SF 6-A22: [qr.hilti.com/r9370541](http://qr.hilti.com/r9370541)
- SF 6H-A22: [qr.hilti.com/r9370482](http://qr.hilti.com/r9370482)

本書の最終ページに RoHS 表にリンクした QR コードがあります。

## 11 メーカー保証

- ▶ 保証条件に関するご質問は、最寄りのHilti 代理店・販売店までお問い合わせください。



# 오리지널 사용 설명서

## 1 문서 관련 기재사항

### 1.1 본 문서에 대해

- 처음 사용하기 전에 본 문서 전체를 읽으십시오. 안전하게 작업하고 문제 없이 취급하기 위한 전제가 됩니다.
- 본 문서 및 제품에 나와 있는 안전 지침 및 경고 지침에 유의하십시오.
- 항상 제품에 있는 사용 설명서를 잘 보관하고 제품은 반드시 본 지침과 함께 다른 사람에게 전달하십시오.

### 1.2 기호 설명

#### 1.2.1 경고사항

본 제품을 다루면서 발생할 수 있는 위험에 대한 경고사항. 다음과 같은 시그널 워드가 사용됩니다.

#### 위험

위험!

- ▶ 이 기호는 직접적인 위험을 표시합니다. 만약 지키지 않으면 심각한 부상을 당하거나 사망할 수도 있습니다.

#### 경고

경고!

- ▶ 이 기호는 잠재적인 위험을 표시합니다. 만약 지키지 않으면 심각한 부상을 당하거나 사망할 수도 있습니다.

#### 주의

주의!

- ▶ 이 기호는 잠재적인 위험 상황을 표시합니다. 만약 지키지 않으면 부상 또는 물적 손실을 입을 수 있습니다.

#### 1.2.2 사용 설명서에 사용된 기호

본 사용 설명서에서 사용되는 기호는 다음과 같습니다.

	사용 설명서에 유의하십시오
	적용 지침 및 기타 유용한 사용정보
	재사용이 가능한 자재 취급방법
	전기 기기 및 배터리를 일반 가정의 쓰레기처럼 폐기해서는 안 됨
	Hilti 리튬 이온 배터리
	Hilti 충전기

#### 1.2.3 그림에 사용된 기호

그림에 다음과 같은 기호가 사용됩니다.

<b>2</b>	이 숫자는 본 사용 설명서 첫 부분에 있는 해당 그림을 나타냅니다.
3	매겨진 숫자는 작업 단계의 순서를 나타내며, 텍스트에 매겨진 작업 단계와 차이가 있을 수 있습니다.
<b>11</b>	항목 번호는 개요 그림에서 사용되며, 제품 개요 단락에 나와 있는 기호 설명 번호를 나타냅니다.
	이 표시는 제품을 다룰 때, 특별히 주의할 사항을 나타냅니다.



### 1.3 제품 관련 기호

#### 1.3.1 제품에 사용된 기호

제품에 사용되는 기호는 다음과 같습니다.

	본 제품은 무선 데이터 전송을 지원하며, iOS 및 Android 플랫폼과 호환 가능합니다.
	사용한 Hilti 리튬이온 배터리 모델 시리즈. 규정에 맞는 사용 단원에 제시된 내용에 유의하십시오.
Li-Ion	리튬이온 배터리
	배터리는 절대 타격 공구로 사용해서는 안 됩니다.
	배터리를 떨어뜨리지 마십시오. 타격을 받은 적이 있거나 다른 손상이 있는 배터리는 사용하지 마십시오.
	직류
	함마링 컷아웃
	타격하여 드릴링(함마드릴링)
	보호 등급 III(이중 절연)
$n_0$	무부하 회전속도
/min	분당 회전수

### 1.4 제품 정보

**HILTI** 제품은 전문가용으로 설계되어 있으며, 해당 교육을 이수한 공인된 작업자를 통해서만 조작, 유지 보수 및 수리 작업을 진행할 수 있습니다. 이 기술자는 발생할 수 있는 위험에 대해 특별 교육을 받은 상태여야 합니다. 교육을 받지 않은 사람이 제품을 부적절하게 취급하거나 규정에 맞지 않게 사용할 경우에는 기기와 그 보조기구에 의해 부상을 당할 위험이 있습니다.

형식 명칭 및 일련 번호는 형식 라벨에 제시되어 있습니다.

▶ 일련 번호를 다음의 표에 옮기십시오. 대리점 또는 서비스 센터에 문의할 경우 제품 제원이 필요합니다.

#### 제품 제원

드릴 드라이버	SF 6-A22   SF 6H-A22
세대	02
일련 번호	

### 1.5 적합성 선언

폐사는 전적으로 책임을 지고 여기에 기술된 제품이 통용되는 기준과 규격에 일치함을 공표합니다. 적합성 증명서 사본은 본 문서 끝 부분에서 확인할 수 있습니다.

기술 문서는 이곳에 기술되어 있습니다.

Hilti Entwicklungsgesellschaft mbH | Zulassung Geräte | Hiltistraße 6 | 86916 Kaufering, DE

## 2 안전

### 2.1 전동 공구에 대한 일반적인 안전상의 주의사항

**⚠ 경고** 해당 전동 공구와 함께 동봉된 모든 안전상의 주의 사항, 지침, 그림 및 기술자료를 숙지하십시오. 다음과 같은 지침 내용을 준수하지 않으면 전기 충격, 화재가 발생하거나 그리고/또는 중상을 입을 수 있습니다. 앞으로 모든 안전상의 주의사항과 지침을 보관하십시오.

안전상의 주의사항에서 사용되는 "전동 공구"라는 개념은 전원에 연결하여 사용하는 전동 공구(전원 케이블 있음) 또는 배터리를 사용하는 전동 공구(전원 케이블 없음)를 의미합니다.

#### 작업장 안전수칙

▶ 작업장을 항상 깨끗이 하고 조명이 잘 들도록 하십시오. 어수선한 작업환경 또는 어두운 작업장은 사고를 초래할 수 있습니다.



- ▶ 인화성 액체, 가스 또는 먼지가 있어 폭발 위험이 있는 환경에서는 전동 공구를 사용하지 마십시오. 전동 공구는 먼지나 증기를 점화시킬 수 있는 스파크를 일으킵니다.
- ▶ 전동 공구를 사용할 때, 어린이들이나 다른 사람들이 작업장에 접근하지 못하도록 하십시오. 다른 사람의 방해로 인해 기기를 통제하기 어렵습니다.

#### 전기에 관한 안전수칙

- ▶ 전동 공구의 전원 플러그가 소켓에 잘 끼워져야 합니다. 플러그를 절대 변형시켜서는 안됩니다. 접지된 전동 공구와 함께 아답타 플러그를 사용하지 마십시오. 변형되지 않은 플러그와 적합한 소켓을 사용하면 감전의 위험을 줄일 수 있습니다.
- ▶ 파이프, 히터, 전기레인지, 냉장고와 같은 접지 표면에 신체 접촉을 피하십시오. 신체에 닿을 경우 감전될 위험이 높습니다.
- ▶ 전동 공구가 비에 맞지 않도록 하고 습한 장소에 두지 마십시오. 전동 공구에 물이 들어가면 감전될 위험이 높습니다.
- ▶ 전원 케이블만 잡고 전동 공구를 운반하거나 걸어 놓아서는 안되며, 소켓에서 전원 플러그를 빼낼 때 케이블만 잡은 채로 빼내지 마십시오. 전원 케이블이 열, 오일, 날카로운 모서리 또는 부품의 가동 부위에 접촉하지 않도록 주의하십시오. 손상되거나 서로 꼬인 전원 케이블은 감전 위험을 높입니다.
- ▶ 실외에서 전동 공구를 이용하여 작업할 때, 실외용으로 승인된 연장 케이블만 사용하십시오. 실외용 연장 케이블을 사용하면 감전의 위험을 줄여줍니다.
- ▶ 전동 공구를 습한 환경에서 사용하는 것을 피할 수 없을 경우, 누전 차단기를 사용하십시오. 누전 차단기를 사용하면 감전 위험을 줄일 수 있습니다.

#### 사용자 안전수칙

- ▶ 신중하게 작업하십시오. 작업에 정신을 집중하고 전동 공구를 사용할 때 경솔하게 행동하지 마십시오. 피곤하거나 항정신성 약물, 술 또는 약물 복용시에는 전동 공구를 사용하지 마십시오. 전동 공구 사용 시 이에 유의하지 않을 경우 심각한 부상을 초래할 수 있습니다.
- ▶ 안전 장비를 갖추고 보안경을 착용하십시오. 전동 공구의 종류와 사용에 따라, 먼지 보호 마스크, 미끄럼 방지용 안전 신발, 안전모 또는 귀마개 등과 같은 안전한 보호장비를 착용하면 부상의 위험을 줄일 수 있습니다.
- ▶ 실수로 기기가 작동하지 않도록 주의하십시오. 전동 공구를 전원 그리고/또는 배터리에 연결하기 전, 보관 또는 운반 전에 전동 공구가 스위치 OFF 상태인지 확인하십시오. 전동 공구 운반 시 스위치에 손가락을 대거나 스위치가 켜진 상태에서 전원을 연결하면 사고를 유발할 수 있습니다.
- ▶ 전동 공구의 스위치를 켜기 전, 조정공구 또는 렌치를 제거하십시오. 기기 회전부에 남아있는 공구나 렌치로 인해 부상을 입을 수 있습니다.
- ▶ 작업 시 비정상적인 자세는 피하십시오. 안전한 작업자세가 되도록 하고, 항상 균형을 유지하십시오. 이렇게 하여 예기치 않은 상황에서도 전동 공구를 잘 제어할 수 있습니다.
- ▶ 적합한 작업복을 착용하십시오. 헐렁한 복장이나 장식품을 착용하지 마십시오. 작동하는 기기 가동 부위에 머리, 옷 그리고 장갑이 가까이 닿지 않도록 주의하십시오. 헐렁한 복장, 장식품 혹은 긴 머리가 가동 부위에 말려 들어갈 수 있습니다.
- ▶ 먼지 제거장치나 수거장치를 설치할 수 있는 기기의 경우, 이 장치들이 연결되어 있는지 그리고 제대로 작동되는지를 확인하십시오. 먼지 포집장치 사용은 먼지로 인한 위험을 줄여줄 수 있습니다.
- ▶ 이 전동 공구를 여러번 사용해왔다고 해서 안전하다고 안심하지 말고 전동 공구에 해당되는 안전 규칙을 무시하지 마십시오. 부주의하게 행할 경우 아주 짧은 순간에 중상을 입을 수 있습니다.

#### 전동 공구의 취급과 사용

- ▶ 기기에 과부하가 걸리지 않도록 하십시오. 귀하의 작업에 적합한 전동 공구를 사용하십시오. 적합한 전동 공구를 사용하면, 지정된 성능 한도 내에서 더 효율적으로 안전하게 작업할 수 있습니다.
- ▶ 스위치가 고장난 전동 공구는 사용하지 마십시오. 스위치가 작동되지 않는 전동 공구는 위험하므로, 반드시 수리를 해야 합니다.
- ▶ 기기 세팅을 실행, 액세서리를 교환 또는 기기를 보관하기 전에 컨택터를 전원소켓에서 그리고/또는 탈착식 배터리를 기기에서 빼놓으십시오. 이러한 조치는 실수로 전동 공구가 작동하지 않도록 방지합니다.
- ▶ 사용하지 않는 전동 공구는 어린이들의 손이 닿지 않는 곳에 보관하십시오. 기기 사용에 익숙치 않거나 또는 이 안전수칙을 읽지 않은 사람이 기기를 사용해서는 안 됩니다. 비숙련자가 전동 공구를 사용하면 위험합니다.
- ▶ 전동 공구 및 액세서리를 유의해서 관리하십시오. 기기의 가동 부위가 완벽하게 작동하는지, 끼어 있지 않은지, 혹은 부품이 손상되거나 파손되어 있어 전동 공구의 기능을 저하시키지 않는지 점검하십시오. 기기 사용 전 손상된 부품을 수리하도록 하십시오. 제대로 관리되지 않은 전동 공구는 많은 사고를 유발합니다.
- ▶ 절단기기는 날카롭고 깨끗하게 관리하십시오. 날카로운 절단면이 있고 잘 관리된 절단기기는 끼이는 경우가 드물고 조절하기도 쉽습니다.
- ▶ 본 지침에 따라 전동 공구, 액세서리, 공구 비트 등을 사용하십시오. 이 때 작업 조건과 실시하려는 작업 내용을 고려하십시오. 원래 사용 분야가 아닌 다른 작업에 전동 공구를 사용할 경우, 위험한 상황을 초래할 수 있습니다.



- ▶ 손잡이 및 손잡이 표면은 건조하고 깨끗하게, 그리고 오일과 그리스가 묻어있지 않도록 해야 합니다. 미끄러운 손잡이 및 손잡이 표면은 예상치 못한 상황에서 전동 공구를 안전하게 조작하고 제어할 수 없습니다.

#### 배터리 공구의 취급과 사용

- ▶ 제조회사가 권장한 충전기에만 배터리를 충전시키십시오. 특정한 형식의 배터리를 사용하도록 규정되어 있는 충전기에 다른 배터리를 사용할 경우 화재 발생의 위험이 있습니다.
- ▶ 전동 공구에 적합하게 규정된 배터리만 사용하십시오. 다른 배터리를 사용하면 부상을 입을 수 있고, 화재가 발생할 수 있습니다.
- ▶ 배터리를 사용하지 않을 경우 클립, 동전, 키, 못, 나사 또는 다른 소형 금속 물질로부터 사용하지 않는 배터리를 멀리 떨어뜨려 놓아주십시오. 배터리 간 단락으로 인한 연소 또는 화재를 초래할 수 있습니다.
- ▶ 잘못 사용할 경우, 배터리로부터 전해액이 흘러나올 수 있습니다. 전해액을 직접 만지지 마십시오. 실수로 만졌을 경우, 물로 씻으십시오. 전해액이 눈에 들어갔으면, 의사와 상담하십시오. 배터리로부터 흘러나온 전해액은 피부를 손상시킬 수 있으며, 화재를 발생시킬 수 있습니다.
- ▶ 손상된 배터리 또는 변경된 배터리를 사용하지 마십시오. 손상된 배터리 또는 변경된 배터리는 예상치 못한 상황 및 화재, 폭발 또는 부상 위험을 초래할 수 있습니다.
- ▶ 배터리에서 불꽃이 발생하거나 또는 배터리가 너무 높은 온도에 노출되지 않게 하십시오. 불꽃 또는 온도 가 130 °C (265 °F)를 넘으면 폭발을 일으킬 수 있습니다.
- ▶ 충전에 관한 모든 지침을 준수하여 배터리 또는 배터리 공구를 절대 사용 설명서에 제시된 범위를 벗어난 온도에서 충전하지 마십시오. 잘못 충전하거나 허용된 범위를 벗어난 온도에서 충전하면 배터리가 파손되어 화재 발생 위험이 높아질 수 있습니다.

#### 서비스

- ▶ 전동 공구는 반드시 자격을 갖춘 전문가에 의해 그리고 순정 대체부품만 이용하여 수리해야 합니다. 이렇게 하여 기기의 안전성을 계속해서 유지할 수 있습니다.
- ▶ 손상된 배터리를 절대 수리하지 마십시오. 배터리 수리는 제조회사 또는 권한을 위임받은 고객 서비스센터에서만 이루어져야 합니다.

## 2.2 드릴링 머신에 대한 안전상의 주의사항

### 모든 작업에 대한 안전상의 주의사항

- ▶ 함마드릴링 작업 시 귀마개를 착용하십시오. 소음은 청각 상실을 유발할 수 있습니다.
- ▶ 보조 손잡이를 사용하십시오. 기기를 제어하지 못하면 부상을 입을 수 있습니다.
- ▶ 숨겨진 전선에 공구 비트 또는 스크류가 접촉할 수 있는 작업을 실행할 경우, 항상 전동 공구의 절연된 손잡이 부분을 잡으십시오. 전류가 흐르는 전선과 접촉하면 전동 공구의 금속 부위를 통해 감전이 될 수도 있습니다.

### 긴 드릴 사용 시 안전상의 주의 사항

- ▶ 어떠한 경우에도 드릴에 허용되는 최고 속도보다 더 높은 속도로 작업하지 마십시오. 더 높은 속도로 작업하는 경우 드릴이 공작물에 닿지 않은 상태에서 회전하면 쉽게 구부러져 부상을 입을 수 있습니다.
- ▶ 드릴 작업은 항상 낮은 속도로 드릴이 공작물에 닿은 상태로 시작하십시오. 더 높은 속도로 작업하는 경우 드릴이 공작물에 닿지 않은 상태에서 회전하면 쉽게 구부러져 부상을 입을 수 있습니다.
- ▶ 과도한 힘을 가하지 말고 드릴이 작동하는 방향으로만 힘을 가하십시오. 드릴이 휘어져 파손되거나 통제력을 잃어 부상을 유발할 수 있습니다.

### 교반기 사용 시 안전상의 주의 사항

- ▶ 전동 공구는 교반기가 혼합된 소재에 머물러 있을 경우에만 전원을 켜거나 끄십시오. 그렇지 않으면 통제력을 잃고 부상을 입을 수 있습니다.

## 2.3 그 외 스크류 드라이버에 관한 안전상의 주의사항

### 사용자 안전수칙

- ▶ 기술적 하자가 없는 상태에서만 제품 및 액세서리를 사용하십시오.
- ▶ 어떠한 경우에도 제품 또는 액세서리를 변경하거나 개조하지 마십시오.
- ▶ 제품과 함께 공급된 보조 손잡이를 사용하십시오. 기기를 제어하지 못하면 부상을 입을 수 있습니다.
- ▶ 항상 양손으로 제품의 손잡이를 잡고 공구를 고정시키십시오. 손잡이는 건조하고 깨끗하게 유지하십시오.
- ▶ 회전하는 부품에 접촉하지 않도록 하십시오. - 부상 위험!
- ▶ 제품을 사용하는 동안 적절한 보안경, 안전모, 귀마개 및 보호마스크를 착용해야 합니다.
- ▶ 공구 교체 시 보호장갑을 착용하십시오. 공구 비트에 닿으면 부상을 입거나 화상을 당할 수 있습니다.
- ▶ 보안경을 착용하십시오. 재료의 파편으로 인해 눈 등 신체에 부상을 입을 수 있습니다.



- ▶ 샌딩, 연마, 절단 및 드릴링 작업 시 발생하는 먼지에는 위험한 화학물질이 함유되어 있을 수 있습니다. 예를 들어 납 또는 납 계열의 페인트, 벽돌, 콘크리트 및 기타 조적 벽돌 제품, 자연석 및 기타 실리콘 함유 제품, 참나무, 너도밤나무 및 화학 처리된 목재 등과 같은 특정 목재, 석면 또는 석면이 함유된 자재 등이 있을 수 있습니다. 작업하는 자재의 위험 등급을 따라 조작자 및 주변에 있는 사람들의 노출 정도를 결정하십시오. 안전한 수준에서 노출이 이루어질 수 있도록 예를 들어 먼지 포집장치 사용 또는 적합한 보호 마스크 착용 등 필요한 조치를 취하십시오. 노출을 줄일 수 있는 일반적인 조치:
  - ▶ 환기가 잘 되는 곳에서 작업하기,
  - ▶ 장시간 먼지 접촉 피하기,
  - ▶ 얼굴 및 신체의 먼지를 다른 곳으로 털어내기,
  - ▶ 보호 복장 착용 및 노출된 영역을 비누와 물로 세척하기.
- ▶ 손가락의 혈액순환이 잘 되도록 자주 휴식시간을 갖고, 휴식하는 동안 손가락 운동을 하십시오. 장시간 작업하면 강한 진동으로 인해 혈관 장애 또는 손가락, 손 및 손목의 신경 체계에 이상이 있을 수 있습니다.

#### 전기에 관한 안전수칙

- ▶ 작업을 시작하기 전에, 작업장에서 가려져 있거나 덮혀 있는 전기 배선, 가스 파이프 그리고 하수도관이 있는지를 점검하십시오. 전기 배선, 가스 파이프 또는 하수도관을 손상시킨 경우, 제품 바깥쪽에 있는 금속 부품에서 감전 또는 폭발을 유발할 수 있습니다.

#### 전동 공구의 올바른 사용방법과 취급방법

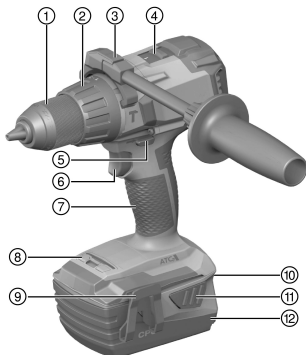
- ▶ 공구 비트가 블로킹된 경우 즉시 제품의 전원을 끄십시오. 제품이 옆으로 기울어질 수 있습니다.
- ▶ 제품을 내려놓기 전에 제품이 완전히 정지할 때까지 기다리십시오.

### 2.4 배터리의 올바른 사용방법과 취급방법

- ▶ 리튬 이온 배터리의 운반, 보관 및 사용에 대한 특수 지침에 유의하십시오.
- ▶ 배터리를 고열, 직사광선 및 화염 근처에 두지 마십시오.
- ▶ 배터리를 분해하거나 강한 압력 또는 80°C (176°F) 이상의 열을 가하거나 연소시켜서는 안됩니다.
- ▶ 충격을 받은 적이 있거나, 1미터가 넘는 높이에서 떨어진 적이 있거나 혹은 다른 방식으로 손상된 배터리는 절대 사용하거나 충전하지 마십시오. 이러한 경우 항상 Hilti 서비스 센터로 문의해 주시기 바랍니다.
- ▶ 배터리를 잡기에 너무 뜨거운 경우에는 고장일 수 있습니다. 배터리를 인화성 물질과 충분한 거리를 둔 상태에서 눈에 잘 띄며 불이 잘 붙지 않는 장소에 두십시오. 배터리를 냉각시키십시오. 한 시간 후에도 계속 해서 배터리를 잡기에 너무 뜨거운 경우에는 배터리에 결함이 있을 수 있습니다. Hilti 서비스 센터에 문의하십시오.

## 3 제품 설명

### 3.1 개요 1



- ① 신축 교환식 드릴 척
- ② 토크와 기능 세팅링
- ③ 측면 손잡이
- ④ 기어 선택 스위치
- ⑤ 정회전/역회전 스위치, 스위치ON로크 있음
- ⑥ 컨트롤 스위치(회전속도 전자제어기는 포함)
- ⑦ 손잡이
- ⑧ 작업 공간 조명
- ⑨ 벨트 후크(선택사양)
- ⑩ 충전상태 표시 및 고장 표시(리튬 이온 배터리)
- ⑪ 배터리 잠금해제 버튼
- ⑫ 배터리

### 3.2 규정에 맞는 사용

기술된 제품은 배터리 구동식 소형 드릴 드라이버입니다. 스크류를 돌려 끼우고 풀기 위한 용도 및 강철, 목재, 플라스틱, 경량 콘크리트 및 조적벽돌 소재에 드릴 작업하기 위한 용도로 사용됩니다.

- ▶ 본 제품에는 모델시리즈 B 22의 Hilti 리튬 이온 배터리만 사용하십시오.
- ▶ 이 배터리에는 Hilti 충전기 C4/36 시리즈만 사용하십시오.



### 3.3 공급품목

드릴 드라이버, 측면 손잡이, 사용 설명서.

해당 제품에 허용되는 기타 시스템 제품은 **Hilti Store** 또는 온라인에서 확인할 수 있습니다. [www.hilti.group](http://www.hilti.group)  
| 미국: [www.hilti.com](http://www.hilti.com)

### 3.4 리튬 이온 배터리 표시

리튬 이온 배터리의 충전 상태 및 기기의 문제 사항은 리튬 이온 배터리의 표시를 통해 나타냅니다. 리튬 이온 배터리의 충전 상태는 배터리 잠금 해제 버튼 둘 중 하나를 누르면 표시됩니다.

상태	의미
4개의 LED가 점등됨.	충전 상태: 75 % ~ 100 %
3개의 LED가 점등됨.	충전 상태: 50 % ~ 75 %
2개의 LED가 점등됨.	충전 상태: 25 % ~ 50 %
1개 LED가 점등됨.	충전 상태: 10 % ~ 25 %
1개 LED가 깜박임.	충전 상태: < 10 %
1개 LED 깜박임, 기기 작동 준비 상태되지 않음.	배터리가 과열 또는 완전히 방전되었음.
4개 LED 깜박임, 기기 작동 준비 상태되지 않음.	공구가 과부하 또는 과열되었음.

컨트롤 스위치가 조작된 상태에서 컨트롤 스위치에서 손을 떼 후 5초까지는 충전 상태를 조회해볼 수 없습니다.

배터리 표시기의 LED가 점멸할 경우, "고장 시 대책" 장의 지침에 유의하십시오.

### 3.5 ATC

본 제품에는 전자 제어식 급속 차단장치 ATC (Active Torque Control)가 장착되어 있습니다.

공구 비트가 막히거나 또는 끼어 움직이지 않게 되면, 제품은 제어되지 않은 상태에서 갑작스럽게 반대 방향으로 돌아갑니다. ATC는 제품의 이러한 갑작스런 회전 움직임을 감지하고 즉시 제품의 전원을 차단합니다.

올바르게 작동하려면 제품이 회전할 수 있어야 합니다.

급속 차단한 후 제품을 꺾다가 다시 켜십시오.

### 3.6 과부하 표시 및 과열 표시

기기에는 전자식 과부하 방지 기능과 과열방지장치가 갖추어져 있습니다. 과부하 또는 과열 시 기기가 자동으로 꺼집니다. 컨트롤 스위치에서 손을 떼었다가 다시 누르면, 스위치ON 지연(기기의 냉각 단계) 상태로 할 수 있습니다.

## 4 기술자료

		SF 6-A22	SF 6H-A22
정격 전압		21.6V <sub>DC</sub>	21.6V <sub>DC</sub>
EPTA Procedure 01에 따른 무게(B228.0 배터리 포함)		3.1kg	3.1kg
회전속도	1단	0/min ... 490/min	0/min ... 490/min
	2단	0/min ... 2,000/min	0/min ... 2,000/min
토크 (부드러운 소재에서 작업할 경우)		≤ 65Nm	≤ 65Nm
타격 속도		•/•	36,000/min
작동 시 주변 온도		-17 °C ... 60 °C	-17 °C ... 60 °C
보관 온도		-20 °C ... 70 °C	-20 °C ... 70 °C

### 4.1 배터리

배터리 모드 전압	21.6V
작동 시 주변 온도	-17 °C ... 60 °C





보관 온도	-20 °C ... 40 °C
충전 시작 시 배터리 온도	-10 °C ... 45 °C

#### 4.2 기기 비트에 허용되는 직경

Ø 드릴 척 클램핑 범위	1.5mm ... 13mm
Ø 목재 드릴 (하드 타입)	1.5mm ... 20mm
Ø 목재 드릴 (소프트 타입)	1.5mm ... 32mm
Ø 금속 드릴	1.5mm ... 13mm
Ø 콘크리트/벽돌 소재 드릴 작업 (함마 드릴링)	4mm ... 12mm

#### 4.3 EN 62841에 따른 소음 정보 및 진동값

이 치함에 제시된 음압 및 진동수준은 표준화된 측정방법에 따라 측정된 것이며, 전동 공구를 서로 비교하기 위한 용도로 사용할 수 있습니다. 음압 및 진동 수준은 노출 정도를 사전에 예측하는 데에도 유용하게 사용할 수 있도록 설계되어 있습니다.

제시된 데이터는 전동 공구의 주된 용도를 나타냅니다. 그러나 전동 공구를 다른 용도로 사용하거나 다른 공구 비트를 사용할 경우 또는 유지보수를 충분히 하지 않은 상태에서는 데이터에 편차가 있을 수 있습니다. 이러한 경우 전 작업시간에 걸쳐 노출이 현저하게 증가할 수 있습니다.

노출을 정확하게 평가하기 위해서는 기기 작동이 멈춰 있거나 또는 작동 중이지만 실제로는 사용하지 않는 시간도 고려해야 합니다. 이러한 경우 전 작업시간에 걸쳐 노출이 현저하게 감소할 수 있습니다.

사용자를 보호하기 위해 음파 그리고/또는 진동이 작동하기 전에 다음과 같은 추가적인 안전 조치를 취하십시오. 전동 공구와 공구 비트의 유지보수, 손을 따뜻하게 유지, 작업순서 정하기 등.

##### 소음 배출 값

	SF 6-A22	SF 6H-A22
방출 음압 수준 ( $L_{pA}$ )	78dB(A)	91dB(A)
음압 수준 허용공차 ( $K_{pA}$ )	3dB(A)	3dB(A)
소음 수준 ( $L_{WA}$ )	89dB(A)	102dB(A)
소음 수준 허용공차 ( $K_{WA}$ )	3dB(A)	3dB(A)

##### 진동 총 값

	SF 6-A22	SF 6H-A22
금속에서의 드릴링 진동 배출값 ( $a_{h,D}$ )	1.4m/s <sup>2</sup>	2.8m/s <sup>2</sup>
금속에서의 드릴링 허용공차 (K)	1.5m/s <sup>2</sup>	1.5m/s <sup>2</sup>
스크류 작업 진동 배출 값 ( $a_n$ )	0.8m/s <sup>2</sup>	1.1m/s <sup>2</sup>
스크류 허용공차 (K)	1.5m/s <sup>2</sup>	1.5m/s <sup>2</sup>
콘크리트에서의 함마드릴링 진동 배출 값 ( $a_{h,ID}$ )	*/•	15.4m/s <sup>2</sup>
콘크리트에서의 함마드릴링 허용공차 (K)	*/•	1.5m/s <sup>2</sup>

## 5 조작

### 5.1 배터리 삽입

#### 경고

부상 위험 부상 위험!

- ▶ 배터리를 끼우기 전에 배터리의 접점 및 제품의 접점에 이물질이 남아 있지 않은지 확인하십시오.
- ▶ 배터리가 제대로 고정되었는지 확인하십시오.

1. 처음으로 사용하기 전, 배터리를 완전히 충전하십시오.
2. 배터리가 제품에 고정되는 소리가 들릴 때까지 미십시오.
3. 배터리가 정확하게 설치되어 있는지 점검하십시오.

### 5.2 배터리 제거

1. 배터리의 잠금 해제 버튼을 누르십시오.
2. 배터리를 기기에서 빼내십시오.



### 5.3 배터리 충전

1. 충전하기 전에 충전기의 사용 설명서를 읽으십시오.
2. 배터리 및 충전기의 접점이 청결하고 건조한 상태인지 확인하십시오.
3. 허용되는 충전기에서 배터리를 충전하십시오. → 페이지 145

### 5.4 측면 손잡이 조립

#### 주의

부상 위험! 로터리 합마 드릴 점검 생략.

▶ 측면 손잡이가 정확하게 설치되고 올바르게 고정되어 있는지 확인하십시오. 클램프가 지정된 홈에 위치하는지 확인하십시오.


1. 정회전/역회전 스위치를 중간 위치로 설정하십시오.
2. 손잡이를 돌려서 측면 손잡이의 클램프를 푸십시오.
3. 측면 손잡이의 홈대를 끝까지 하우징에 끼운 후 지정된 홈에 클램프를 밀어 넣으십시오.
4. 손잡이를 돌려서 측면 손잡이 홈대를 조이십시오.

### 5.5 벨트 후크 조립(옵션)

#### 경고

부상 위험. 기기가 떨어질 경우 작업자 및 다른 사람이 다칠 수 있습니다.

▶ 작업 시작 전 벨트 후크가 확실하게 고정되었는지 점검하십시오.

 벨트 후크로 기기를 신체에 밀착시켜 벨트에 고정시킬 수 있습니다. 벨트 후크는 우측 및 좌측에 착용할 수 있도록 조립할 수 있습니다.

1. 배터리를 제거하십시오. → 페이지 147
2. 벨트 후크를 제품 하단 개구부에 끼우십시오.
3. 벨트 후크를 두 개의 볼트로 고정시킵니다.
4. 배터리를 삽입하십시오. → 페이지 147

### 5.6 Hilti 비트 홀더(옵션)


1. 배터리를 제거하십시오. → 페이지 147
2. 비트 홀더를 제품 하단 개구부의 좌측 또는 우측에 끼우십시오.
3. 비트 홀더를 두 개의 볼트로 고정시킵니다.
4. 배터리를 삽입하십시오. → 페이지 147

### 5.7 Hilti 낙하방지장치 장착(옵션)

#### 주의

제품 그리고/또는 밧줄 손상. 부적절하게 취급할 경우 제품 그리고/또는 밧줄이 손상될 수 있습니다.

▶ 금속 체인을 밧줄 용도로 사용하지 마십시오. 길이가 2,0 m (6 ft)가 넘는 밧줄은 사용하지 마십시오.

 높은 위치에서 작업 시 손상을 방지할 수 있도록 Hilti 낙하방지장치를 사용할 것을 권장합니다. 낙하방지장치를 이용하여 고정핀/고정 밴드를 고정할 수 있습니다. 제품을 이용해 작업하는 도중 높은 위치에서 작업할 경우, 반드시 관련 국가 규정에 유의하십시오.

1. 배터리를 제거하십시오. → 페이지 147
2. 낙하방지장치의 양쪽 러그를 기기 홀더 양쪽에 있는 슬롯에 끼우십시오.
3. 해당 스크류를 이용하여 낙하방지장치를 고정시키십시오.
4. 배터리를 삽입하십시오. → 페이지 147

### 5.8 기어 선택

▶ 기어를 선택하십시오.



## 5.9 정회전/역회전 방향 설정



잠금기능은 모터가 작동하는 동안 절환되는 것을 방지합니다.  
중간 위치에서는 컨트롤 스위치가 블로킹됩니다(스위치ON로크).

- ▶ 정회전/역회전 스위치를 정회전 또는 역회전 위치에 두십시오.

## 5.10 공구 비트 삽입/분리

1. 정회전/역회전 스위치를 중간 위치로 조정하거나 또는 배터리를 기기로부터 분리하십시오.
2. 신속 교환식 드릴 척을 여십시오.
3. 비트를 척 아답타에 끼우거나 빼내십시오.
4. 신속 교환식 드릴 척을 돌려 조이십시오.
5. 공구 비트가 완전히 고정되었는지 점검하십시오.

## 5.11 드릴링

### 주의

부상 위험. 기기 비트가 갑자기 블로킹되면서 기기가 측면으로 젖혀질 수 있습니다.

- ▶ 항상 측면 손잡이를 이용하여 공구를 사용하고, 공구를 양손으로 움직이지 않게 잡으십시오.
- ▶ 측면 손잡이는 항상 바깥쪽을 잡으십시오.

### 주의

부상 위험. 모재에서 소재가 분리되어 날릴 수 있습니다.

- ▶ 보안경을 착용하십시오.
- ▶ 토크 및 기능에 대한 설정 링을 "드릴" 기호에 맞추십시오.

## 5.12 함마드릴링

SF 6H-A22

- ▶ 설정 링을 "함마드릴링" 기능으로 설정하십시오.

## 5.13 스크류 작업

- ▶ 토크 및 기능에 대한 설정 링에서 필요한 토크를 설정하십시오.

## 5.14 스위치 켜기

- ▶ 컨트롤 스위치를 누르십시오.
  - ▶ 회전속도는 최소 단계부터 최대 단계까지 자유롭게 선택 가능합니다.

## 5.15 스위치 끄기

- ▶ 컨트롤 스위치에서 손을 떼십시오.

## 6 관리 및 유지보수

### 경고

배터리가 끼워진 상태에서 부상 위험 !

- ▶ 관리 및 수리 작업을 진행하기 전에 항상 배터리를 제거하십시오!

### 제품 관리

- 공구에 부착되어 있는 오염물질을 조심스럽게 제거하십시오.
- 오염물질이 있는 경우, 부드러운 마른 솔로 환기 솔룩을 조심스럽게 청소하십시오.
- 약간 물기가 있는 수건으로만 하우징을 청소해 주십시오. 플라스틱 부품을 손상시킬 수 있으므로 절대로 실리콘이 함유된 보호제를 사용하지 마십시오.
- 제품의 접점을 청소하려면 깨끗하고 마른 천을 사용하십시오.



### 리튬 이온 배터리 관리

- 환기 슬롯이 막힌 상태에서는 절대 배터리를 사용하지 마십시오. 부드러운 마른 솔로 환기 슬롯을 조심스럽게 청소하십시오.
- 배터리가 불필요하게 먼지 또는 오염물에 노출되지 않도록 하십시오. 배터리를 절대 습도가 높은 곳에 두지 마십시오(예: 물 속에 담그거나 비내리는 곳에 두는 행위).  
배터리에 물이 들어가면, 손상된 배터리처럼 취급하십시오. 물이 들어간 배터리는 비가연성 용기에서 절연시킨 후, **Hilti** 서비스 센터에 문의해 주십시오.
- 배터리를 외부 오일 및 그리스가 묻지 않도록 깨끗하게 유지하십시오. 배터리에 불필요하게 먼지 또는 오염물이 쌓이지 않도록 하십시오. 배터리를 부드러운 마른 솔 또는 깨끗하고 마른 걸레로 닦아내십시오. 플라스틱 부품을 손상시킬 수 있으므로 절대로 실리콘이 함유된 보호제를 사용하지 마십시오.  
배터리의 접점에 접촉하지 말고, 접점에서 공구축에 부착된 그리스를 제거하지 마십시오.
- 약간 물기가 있는 수건으로만 하우징을 청소해 주십시오. 플라스틱 부품을 손상시킬 수 있으므로 절대로 실리콘이 함유된 보호제를 사용하지 마십시오.

### 유지보수

- 눈에 보이는 모든 부품은 정기적으로 손상 여부를 점검하고 조작성요소가 아무 문제 없이 작동하는지 점검하십시오.
- 손상되었거나 기능 장애가 있는 경우에는 제품을 작동하지 마십시오. 즉시 **Hilti** 서비스 센터에 제품 수리를 의뢰하십시오.
- 관리 및 수리 작업 후 모든 보호장치를 가져와 기능에 이상이 없는지 점검하십시오.



안전한 사용을 위해서 순정 예비 부품 및 소모품만을 사용하십시오. **Hilti**에서 승인한 예비 부품, 소모품 및 액세서리는 **Hilti Store** 또는 [www.hilti.group](http://www.hilti.group)

## 7 충전식 공구 및 배터리 운반 및 보관

### 운반



#### 주의

운반 시 돌발적으로 작동됨!

- ▶ 제품은 항상 배터리를 장착하지 않은 상태로 운반하십시오!
- ▶ 배터리를 분리하십시오.
- ▶ 배터리를 고정하지 않은 채로 운반해서는 절대 안 됩니다. 운반하는 도중 배터리에 과도한 충격을 받거나 진동이 발생하지 않게 하고 모든 전도성 소재 또는 다른 배터리로부터 분리시켜 다른 배터리 전극에 닿지 않고 단락이 발생하지 않게 하십시오. 배터리와 관련된 현지 운반 규정에 유의하십시오.
- ▶ 배터리는 우편을 통해 전달할 수 없습니다. 손상이 없는 배터리를 전송하고자 하는 경우 배송업체에 문의하십시오.
- ▶ 제품 및 배터리를 사용하기 전에 그리고 장시간 운반한 후에는 항상 손상 여부를 점검하십시오.

### 보관



#### 경고

배터리 결함 또는 방전으로 인한 돌발적인 손상!

- ▶ 제품은 항상 배터리를 장착하지 않은 상태로 보관하십시오!
- ▶ 제품 및 배터리를 냉각 및 건조시켜 보관하십시오. 기술자료에 제시된 허용 온도 한계값에 유의하십시오.
- ▶ 배터리를 충전기에 보관하지 마십시오. 충전 후에는 항상 배터리를 충전기에서 분리하십시오.
- ▶ 배터리는 절대 직사광선이 들어오는 곳, 열원 위 또는 유리 뒤쪽에 보관하지 마십시오.
- ▶ 제품 및 배터리는 건조한 상태로 어린이나 외부인의 손이 닿지 않는 곳에 보관하십시오.
- ▶ 제품 및 배터리를 사용하기 전에 그리고 장시간 보관한 후에는 항상 손상 여부를 점검하십시오.

## 8 문제 발생 시 도움말

본 도표에 제시되어 있지 않거나 스스로 해결할 수 없는 문제가 발생한 경우 **Hilti** 서비스 센터에 문의해 주십시오.

### 8.1 문제 발생 시 도움말

장애	예상되는 원인	해결책
드릴 드라이버가 작동하지 않음.	배터리가 올바르게 삽입되지 않음.	▶ 배터리를 삽입하십시오. → 페이지 147



장애	예상되는 원인	해결책
드릴 드라이버가 작동하지 않음.	배터리가 방전되었음.	▶ 배터리를 교체하고 방전된 배터리를 충전하십시오.
4개 LED 모두 깜박임. 드릴 드라이버가 작동하지 않음.	잠깐 동안 드릴 드라이버 과부하.	▶ 컨트롤 스위치에서 손을 떼고 스위치를 다시 조작하십시오.
	과열방지장치	▶ 드릴 드라이버를 냉각시키고 환기 슬롯을 청소하십시오.
1개 LED 깜박임. 드릴 드라이버가 작동하지 않음.	배터리가 방전되었음.	▶ 배터리를 교체하고 방전된 배터리를 충전하십시오.
	배터리가 너무 차가움.	▶ 배터리를 권장된 작동온도 상태로 유지합니다.
	배터리가 너무 뜨거움.	▶ 배터리를 권장된 작동온도 상태로 유지합니다.
SF 6H-A22 함마드릴링 작업 불가능.	설정 링의 기능이 정확하게 설정되지 않음.	▶ 설정 링을 "함마드릴링" 기호로 설정하십시오.
컨트롤 스위치를 누를 수가 없음 또는 블로킹됨.	정회전/역회전 스위치가 중간위치에 있음(운반 위치).	▶ 정회전/역회전 스위치를 정회전 또는 역회전 위치에 두십시오. → 페이지 149
드릴 드라이버 또는 배터리에 서 열 발생이 심함.	전기적 결함	▶ 즉시 드릴 드라이버의 전원을 끄고 배터리를 분리한 후 Hilti 서비스 센터를 방문하십시오.
	드릴 드라이버 과부하(사용 한계 초과).	▶ 적용 사례를 점검하십시오.

## 9 폐기

### 경고

부적절한 폐기로 인한 부상 위험! 새어나오는 가스 또는 용액으로 인한 건강상의 위험.

- ▶ 손상된 배터리는 전달하지 마십시오!
- ▶ 비전도성 소재로 연결 단자를 막아 두어 단락이 발생하지 않게 하십시오.
- ▶ 배터리가 어린이의 손에 닿지 않도록 폐기하십시오.
- ▶ Hilti Store에서 배터리를 폐기하거나 또는 담당 폐기물 처리 업체에 문의하십시오.

Hilti 제품은 대부분 재사용이 가능한 소재로 제작되었습니다. 재활용을 위해 개별 부품을 분리하여 주십시오. Hilti는 대부분의 국가에서 재활용을 위해 노후기기를 수거해 갑니다. Hilti 고객 서비스 센터 또는 판매 상담자에게 문의하십시오.



- ▶ 전동 공구, 전자식 기기 및 배터리를 일반 가정 쓰레기로 폐기하지 마십시오!

## 10 RoHS (유해물질 사용 제한 지침)

아래 링크에서 유해물질에 관한 도표를 확인할 수 있습니다.

- SF 6-A22: [qr.hilti.com/r9370541](http://qr.hilti.com/r9370541)
- SF 6H-A22: [qr.hilti.com/r9370482](http://qr.hilti.com/r9370482)

RoHS 도표로 이어지는 링크는 본 문서 끝에 QR 코드 형식으로 제시되어 있습니다.

## 11 제조회사 보증

- ▶ 보증 조건에 관한 질문사항은 현지 Hilti 파트너사에 문의하십시오.



# 原始操作說明

## 1 文件相關資訊

### 1.1 關於此文件

- 初次操作或使用前，請先詳讀此文件。本文件包含安全前提、疑難排解處理和產品使用。
- 請遵守本文件中與產品上的安全說明和警告。
- 操作說明應與產品一起保管，產品交予他人時必須連同操作說明一起轉交。

僅適用於台灣

進口商: 喜利得股份有限公司

地址: 新北市板橋區

新站路16號24樓22041

電話: 0800-221-036

### 1.2 已使用的符號解釋

#### 1.2.1 警告

警告您在操作或使用本產品時可能發生之危險。採用了以下標示文字：



**危險**

危險！

- ▶ 此標語警示會發生對人造成嚴重傷害甚至致死的危險情形。



**警告**

警告！

- ▶ 此標語警示會造成嚴重傷害甚至致死危險的潛在威脅。



**注意**

注意！

- ▶ 請小心會造成人員受傷或對設備及其他財產造成損害的潛在危險情況。

#### 1.2.2 操作說明中的符號

本操作說明中採用以下符號：

	請遵照操作說明
	使用操作說明與其他資訊
	處理可回收的材料
	不可將電子設備與電池當作家庭廢棄物處置
	Hilti 鋰電池
	Hilti 充電器

#### 1.2.3 圖解中的符號

圖解中採用了以下符號：

	號碼對應操作說明的開始處的圖解。
	編號代表圖解中的操作步驟順序，可能與內文中的步驟有所不同。
	概覽圖解中使用位置編號，方便您對應到產品概覽段落中的圖例編號。
	這些特色是為了讓您在操作本產品時可以注意某些重點。



### 1.3 產品專屬符號

#### 1.3.1 產品上的符號

產品上會採用下列符號：

	本產品支援相容於iOS及Android平台的無線資料傳輸。
	使用Hilti鋰電池類型系列。請遵守用途一節所提供之資訊。
Li-Ion	鋰電池
	請勿將電池使用作為敲擊工具。
	避免電池掉落。不得使用遭受衝擊或其他原因遭成損壞的電池。
	直流電 (DC)
	鑽孔時無鎚擊動作
	以鎚擊動作進行鑽孔 (鎚擊鑽孔)
	防護等級II (雙重絕緣)
$n_0$	無負載下額定轉速
/min	每分轉數

### 1.4 產品資訊

**HILTI** 產品是針對專業使用者設計，故僅經訓練、認可的人員可操作、維修與維護本產品。必須告知上述人員關於可能遭遇到的特殊危險。若因未經訓練人員操作錯誤或未依照其原本的用途操作，則本產品和它的輔助工具設備有可能會發生危險。

類型名稱和序號都標示於額定銘牌上。

- ▶ 在下方表格中填入序號。與Hilti維修中心或當地Hilti機關聯絡查詢產品相關事宜時，我們需要您提供產品詳細資訊。

#### 產品資訊

電鑽 / 起子	SF 6-A22   SF 6H-A22
產品代別	02
序號	

### 1.5 符合聲明

基於我們唯一的責任，本公司在此聲明本產品符合適用的指示或標準。本文件結尾處有符合聲明之副本。技術文件已歸檔：

Hilti Entwicklungsgesellschaft mbH | Tool Certification | Hiltistrasse 6 | 86916 Kaufering, Germany

## 2 安全性

### 2.1 一般電動機具安全警告

**⚠ 警告** 請詳閱本電動機具提供的所有安全警告、指示、圖解和說明。未能遵守以下所有指示可能會造成電擊事故、火災和 / 或嚴重的傷害。

妥善保存所有警告及說明，以供將來參考。

注意事項中的「機具」係指使用電源（有線）或電池（無線）的電動機具。

#### 工作區域安全

- ▶ 請保持工作區的清潔與採光充足。雜亂而昏暗的工作區會導致意外發生。
- ▶ 勿在容易發生爆炸的環境中使用機具，例如有可燃性液體、瓦斯或粉塵存在的環境。機具產生的火花可能會引燃塵埃或煙霧。



2231428

- ▶ 操作機具時，請與兒童及旁人保持距離。注意力不集中時容易發生失控的情形。

#### 電力安全

- ▶ 機具插頭與插座須能互相搭配。勿以任何方式改裝插頭。勿將任何變壓器插頭與與地面接觸（接地）的電動機具搭配使用。未經改裝的插頭以及能互相搭配的插座可減少發生電擊的危險。
- ▶ 避免讓身體碰觸到如管線、散熱器、爐灶與冰箱等與土地或地表接觸之物品。如果您的身體接觸到地表或地面，將增加電擊的危險。
- ▶ 請勿將機具曝露在下雨或潮濕的環境中。若水氣進入機具中將增加觸電的危險。
- ▶ 勿濫用電纜線。勿以電纜線吊掛、拖拉機具或拔下機具插頭。電纜線應避開熱氣、油、銳利的邊緣或移動性零件。電纜線損壞或纏繞會增加發生電擊事故的危險。
- ▶ 於室外操作機具時，須使用適用於戶外的延長線。使用適合戶外使用的延長線可降低觸電的風險。
- ▶ 如果無法避免在潮濕的地點操作機具，請使用漏電斷路器（RCD）保護電源供應器。使用漏電斷路器（RCD）可降低電擊的風險。

#### 人員安全

- ▶ 操作機具時，請提高警覺，注意進行中的工作並善用常識。感到疲勞或受到藥物、酒精或治療的影響時勿使用機具。操作機具時稍不留神就可能造成嚴重的人員傷亡。
- ▶ 穿戴個人防護裝備。請隨時穿戴眼罩。適當使用防塵面罩、防滑鞋、安全帽及耳罩等安全防護配備可減少人員的傷害。
- ▶ 避免不經意的啟動。在接上電源或電池組、抬起或攜帶機具之前，務必確認開關處於關閉的位置。攜帶機具時，如果把手指放在開關上，或在開關開啟時，將機具插上插頭容易發生意外。
- ▶ 啟動機具前，應將所有調整鑰匙或扳手移開。將扳手或鑰匙留在機具的旋轉零件中可能會造成人員傷害。
- ▶ 勿將手伸出過遠。隨時站穩並維持平衡。這可讓您在意外情況發生時，對機具有較好的控制。
- ▶ 穿著適當服裝。請勿穿著寬鬆的衣服或佩戴珠寶。頭髮、衣服與手套應遠離移動性零件。移動性零件可能會夾到寬鬆的衣服、珠寶或長髮。
- ▶ 如果機具可連接吸塵裝置與集塵設備，請連接並適當使用這些設備。使用集塵裝置可降低與粉塵有關的危險。
- ▶ 請勿因頻繁而習慣使用機具便疏於遵守或忽略機具的安全規範。草率使用可能在轉眼間便造成嚴重的傷害。

#### 機具使用與保養

- ▶ 不可強制使用機具。依據用途使用正確的機具。根據設計的速率使用機具可更快速安全地完成工作。
- ▶ 若開關無法啟動或關閉電動工具時，請勿使用電動工具。任何無法以開關控制的機具都很危險且需要維修。
- ▶ 在進行任何調整、更換配件、或貯放電動機具前，請先將插頭拔離插座和 / 或將電池組自電動機具卸下（如可拆卸）。此預防安全措施可降低機具意外啟動的風險。
- ▶ 將閒置的機具貯放在兒童拿不到的地方，勿讓不熟悉或未詳閱本說明的人員操作本機具。機具在未經訓練的使用者手中是很危險的。
- ▶ 維護機具與配件。請檢查移動性零件有無偏移或黏合的情形、零件有無破損，以及任何會影響機具運轉的狀況。如果機具受損，請先維修後再使用。很多意外便是由維護不當的機具造成的。
- ▶ 保持切割機具的銳利與清潔。具銳利切割邊緣的切割機具如果得到適當的維護，便較不會發生黏合的現象，且較容易控制。
- ▶ 遵守本指示說明使用機具、配件和工具組等，並考量工作條件與待進行的工作。將機具用在原目的之外用途可能會造成危險。
- ▶ 保持握把與其表面的乾燥、清潔且不要讓上面出現油漬。握把及其表面濕滑會在意外情況中造成機具無法安全掌控。

#### 電池機具的使用與保養

- ▶ 務必使用原廠指定的充電器進行充電。將適合特定類型電池的充電器使用在其他電池時，會有造成火災的危險。
- ▶ 務必使用機具特別指定的電池匣。使用其他的電池匣可能會造成受傷或火災。
- ▶ 電池匣未使用時，請將其遠離如迴紋針、錢幣、鑰匙、針、固定釘或其他會在電池兩極間形成連結的小型金屬物件。在電池兩極間建立短路可能會造成灼傷或火災。
- ▶ 若使用不當，可能會有液體由電池流出；請避免接觸該液體。若不慎接觸，請以清水沖洗。如果不小心讓液體接觸到眼睛，請立即尋求醫療援助。從電池中滲出的液體，可能會導致過敏或灼傷。
- ▶ 請勿使用損壞或改裝過的電池組或機具。受損或改裝過的電池可能會無法正常運作而造成起火、爆炸或受傷的風險。
- ▶ 請勿將電池組或機具曝露在火源或極端的溫度環境中。曝露在火源或溫度超過130°C (265°F) 的環境下可能會造成爆炸。
- ▶ 請遵守充電操作說明且不要在說明所載的溫度範圍之外為電池組或機具充電。不當充電或在指定溫度範圍外充電均可能造成電池損壞並提高起火的風險。





## 維修服務

- ▶ 請將機具交給合格的維修人員進行維修，並使用相同的替代零件。這可確保維護機具安全。
- ▶ 請勿自行維修損壞的電池。損壞的電池僅可由製造商或授權的維修商進行維修。

## 2.2 鑽孔安全性警告

### 所有操作的安全說明

- ▶ 衝擊鑽孔時請戴上耳罩。暴露於噪音環境下會導致聽力受損。
- ▶ 使用輔助握把。機具失控可能會導致人員受傷。
- ▶ 當所進行的工作，其切割配件或固定釘可能會接觸到隱藏配線，進行操作時請握住機具的絕緣握把。與「導電」電線接觸的切割配件或固定釘可能會導致機具暴露在外金屬零件「導電」，使得操作人員遭受電擊。

### 使用長鑽頭的安全操作說明

- ▶ 請勿以高於鑽頭最大額定速率的速度操作。在高速下，若鑽頭未接觸工件空轉可能會彎曲，造成人員受傷。
- ▶ 請務必讓鑽頭尖端在接觸工件的狀態下以低速開始鑽孔。在高速下，若鑽頭未接觸工件空轉可能會彎曲，造成人員受傷。
- ▶ 施加壓力時必須與鑽頭成一直線，切勿施以過大壓力。鑽頭彎曲會導致鑽頭斷裂或機具失控，造成人員受傷。

### 使用攪拌槳或攪拌器的安全操作說明

- ▶ 只有在將攪拌槳浸入要進行混合材料時才可開啟或關閉機器。否則可能導致失控，進而造成人員受傷的風險。

## 2.3 螺絲起子的其他安全預防措施

### 人員安全

- ▶ 僅在本產品和配件能正常運轉時使用。
- ▶ 勿嘗試以任何方式改裝產品或配件。
- ▶ 請使用本產品隨附的輔助握把。機具失控可能會導致人員受傷。
- ▶ 以雙手握持機具本身握把。請保持機具握把清潔和乾燥。
- ▶ 不可碰觸旋轉中零件 - 有受傷的危險！
- ▶ 使用本產品時，請穿戴適當的護目鏡、安全帽、耳罩以及輕型呼吸保護器。
- ▶ 更換切割碟片時，請穿戴防護手套。觸摸配件工具會造成割傷或灼傷。
- ▶ 穿戴護目鏡。飛散的碎片可能會傷害身體與眼睛。
- ▶ 研磨、切割和鑽孔時產生的粉塵可能含有危險的化學物質。例如：鉛或含鉛為基底的顏料；磚塊、混凝土和其他建材產品、天然石材和其他含矽酸鹽的產品；橡木、山毛櫸等特定木材以及化學處理的木材；石棉或含有石棉的物質。根據操作員工作時接觸的物質危險等級來決定操作員和其他人員暴露在該環境的程度。採取必要的措施，以將暴露相關條件維持在安全等級上，例如：使用吸塵系統或配戴合適的防護面罩。降低在該環境下的暴露程度的一般措施包括：
  - ▶ 工作區域保持良好通風
  - ▶ 避免長時間接觸粉塵
  - ▶ 清除臉部和身體上的粉塵
  - ▶ 穿著防護衣，用水和肥皂清洗裸露在外的身體部位
- ▶ 請經常休息，並活動您的手指以促進血液循環。長時間暴露在劇烈震動下會造成手指、手掌和手腕的血管或神經系統失調。

### 電力安全

- ▶ 開始工作前，請先檢查工作區域是否有隱藏的電纜線、瓦斯管或水管。電線、天然氣管線或水管若損壞，本產品外側上的金屬零件可能導致觸電或爆炸。

### 電子機具的使用與保養

- ▶ 若配件工具卡住或空轉，請關閉本產品。本產品可能會無法控制並偏向一側。
- ▶ 請等候產品完全停止再將其放下。

## 2.4 小心處理和使用電池

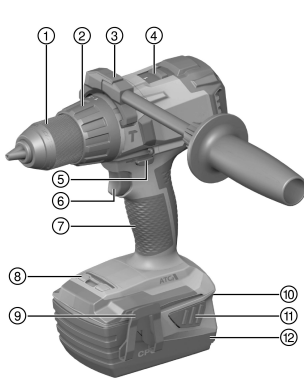
- ▶ 遵守適用於鋰電池之運送、存放與使用的特別指南。
- ▶ 請勿讓電池暴露在高溫下、讓陽光直接照射或接觸火焰。
- ▶ 請勿拆解、擠壓或焚燒電池，且不可將電池置放在溫度超過80°C (176°F) 的環境中。
- ▶ 請勿使用或充電受到機構性衝擊、從高處摔落或有損壞跡象之電池。在此情況下，務必聯絡Hilti維修中心。



- ▶ 若電池溫度過高無法觸摸，表示電池可能已經毀損。將電池放在清楚可見且沒有火災危險、遠離易燃材料的位置。讓電池冷卻。若一小時後電池溫度仍然過高無法觸摸，表示電池可能已經毀損。聯絡Hilti維修中心。

### 3 說明

#### 3.1 總覽



- ① 自動鎖夾頭
- ② 扭力與操作模式選擇環
- ③ 側向握把
- ④ 檔位選擇開關
- ⑤ 帶有安全鎖的正轉 / 逆轉選擇開關
- ⑥ 控制開關 (具電子轉速控制)
- ⑦ 握把
- ⑧ 工作場所照明燈
- ⑨ 皮帶掛鉤 (選配)
- ⑩ 充電狀態和故障指示燈 (鋰電池)
- ⑪ 電池放電鈕
- ⑫ 電池

#### 3.2 用途

本文所述產品為手持充電式電鑽 / 起子。適用於鋼材、木材、塑膠、多孔混凝土和石材的鑽孔以及裝卸螺絲。

- ▶ 本產品限使用B 22系列Hilti鋰電池。
- ▶ 上述電池限使用C4/36系列Hilti電池充電器充電。

#### 3.3 配備及數量

電鑽 / 起子、側向握把、操作說明。

關於本產品，您可於當地Hilti Store或網站查詢其他經過認證可搭配使用的系統產品：[www.hilti.group](http://www.hilti.group) | 美國：[www.hilti.com](http://www.hilti.com)

#### 3.4 鋰電池電量顯示

鋰電池上的顯示幕會表示鋰電池的充電狀態和機具的功能故障。按下兩個電池拆卸鈕的其中一個後，將會顯示鋰電池的充電狀態。

狀態	意義
4個LED亮起。	充電狀態：75 %至100 %
3個LED亮起。	充電狀態：50 %至75 %
2個LED亮起。	充電狀態：25 %至50 %
1個LED亮起。	充電狀態：10 %至25 %
1個LED閃爍。	充電狀態：< 10 %
1個LED閃爍，機具無法正常運作。	電池過熱或已完全放電。
4個LED閃爍，表示機具無法正常運作。	機具已過載或過熱。

- 按下控制開關然後放開控制開關超過5秒後，將無法顯示電池充電狀態。若電池充電狀態LED燈閃爍，請遵守「故障排除」章節所提供的指示。

#### 3.5 主動扭力控制 (ATC)

本產品配備主動扭力控制 (ATC, Active Torque Control) 快速斷電系統。

若配件工具卡住或空轉時，產品會突然朝自身軸的反方向轉動。ATC會偵測到產品突然旋轉的動作，並且立刻關閉產品。





為了讓ATC可以正常運作，產品本身不能旋轉。  
在ATC斷電後，請關閉產品再開啟。

### 3.6 過載和過熱指示燈

本機具配有電子式保護系統，可以提供保護避免過載和過熱。過載或過熱時機具會自動關閉。將控制開關鬆開後再次按下，機具可能不會立刻重新啟動（冷卻階段）。

## 4 技術資料

	SF 6-A22	SF 6H-A22
額定電壓	21.6 V <sub>DC</sub>	21.6 V <sub>DC</sub>
重量 (依據EPTA Procedure 01) , 含B228.0電池	3.1 kg	3.1 kg
轉數	1檔	0 rpm ... 490 rpm
	2檔	0 rpm ... 2,000 rpm
扭力 (柔軟的接合點) $\frac{1}{2}$	≤ 65 Nm	≤ 65 Nm
衝擊速度	*/*	36,000 rpm
操作時的環境溫度	-17 °C ... 60 °C	-17 °C ... 60 °C
貯放溫度	-20 °C ... 70 °C	-20 °C ... 70 °C

### 4.1 電池

電池操作電壓	21.6 V
操作時的環境溫度	-17 °C ... 60 °C
貯放溫度	-20 °C ... 40 °C
電池充電啟動溫度	-10 °C ... 45 °C

### 4.2 配件工具 - 容許直徑

Ø自動鑽夾頭的範圍	1.5 mm ... 13 mm
Ø木材鑽頭 (硬木)	1.5 mm ... 20 mm
Ø木材鑽頭 (軟木)	1.5 mm ... 32 mm
Ø金屬用鑽頭	1.5 mm ... 13 mm
Ø於混凝土 / 石材鑽孔 (鎚擊動作鑽孔)	4 mm ... 12 mm

### 4.3 噪音資訊和震動值 (依據EN 62841)

操作說明中所提供之音壓和震動值已參照標準測量，並可用來比較不同機具之噪音。它們也可作為噪音量的初步評估。

提供之資料表示機具主要應用時之數值。若機具應用於不同之用途，搭配不同的配件工具或在保養不良的情況下，其數據會有所不同。在作業過程中，這會大幅提高其噪音量。

當機具關閉，或開啟但未進行任何作業時也應列入考量，才能準確評估噪音量。在作業過程中，這會大幅降低其噪音量。

確認其他安全措施，以保護操作員不受噪音和 / 或震動影響，例如：保養機具與其配件、操作前保持雙手溫暖、作業型式之安排等。

#### 震動值

	SF 6-A22	SF 6H-A22
釋放的音壓級數 (L <sub>pA</sub> )	78 dB(A)	91 dB(A)
無法判定的音壓級數 (K <sub>pA</sub> )	3 dB(A)	3 dB(A)
聲功率級數 (L <sub>WA</sub> )	89 dB(A)	102 dB(A)
無法判定的聲功率級數 (K <sub>WA</sub> )	3 dB(A)	3 dB(A)



## 總震動

	SF 6-A22	SF 6H-A22
金屬鑽孔的震動噪音值 ( $a_{n, D}$ )	1.4 m/s <sup>2</sup>	2.8 m/s <sup>2</sup>
無法判定的金屬鑽孔 (K)	1.5 m/s <sup>2</sup>	1.5 m/s <sup>2</sup>
螺絲起子作業震動噪音值 ( $a_n$ )	0.8 m/s <sup>2</sup>	1.1 m/s <sup>2</sup>
無法判定的螺絲起子作業 (K)	1.5 m/s <sup>2</sup>	1.5 m/s <sup>2</sup>
混凝土鎚擊動作鑽孔時的震動噪音值 ( $a_{n, D}$ )	•/•	15.4 m/s <sup>2</sup>
無法判定的混凝土鎚擊動作鑽孔 (K)	•/•	1.5 m/s <sup>2</sup>

## 5 操作

### 5.1 置入電池



#### 警告

有受傷的危險 因短路或電池掉落！

- ▶ 置入電池前，請確認電池的接點及產品的接點上無任何異物。
- ▶ 確認電池已確實咬合。

1. 初次使用前，請將電池完全充電。
2. 將電池推入產品中，直到聽到卡入聲。
3. 請檢查電池是否安裝牢固。

### 5.2 卸下電池

1. 按下電池拆卸鈕。
2. 請將電池自充電器卸下。

### 5.3 為電池充電

1. 電池充電前，請閱讀充電器的操作手冊。
2. 確認電池的接點和充電器的接點清潔且乾燥。
3. 請使用經認可的充電器對電池充電。→ 頁次 156

### 5.4 安裝側向握把



#### 注意

有受傷的危險！旋轉鎚鑽失控。

- ▶ 檢查側向握把是否正確安裝且緊固。確認夾具已確實固定在對應的溝槽中。

1. 將正轉 / 逆轉開關轉到中間位置。
2. 旋轉握把以鬆開側向握把的夾具。
3. 將側向握把夾緊帶完全放在外殼上，然後將夾頭推入對應的溝槽中。
4. 旋轉握把以鎖緊側向握把的夾具。

### 5.5 安裝皮帶掛鉤 (選配)



#### 警告

有受傷的危險！掉落的機具可能會對您以及他人造成傷害。

- ▶ 開始作業前，請確認皮帶掛鉤已繫牢。



可使用皮帶掛鉤將機具裝至操作員配戴的皮帶上。本皮帶掛鉤可安裝連接在身體左 / 右側。

1. 卸下電池。→ 頁次 158
2. 將皮帶掛鉤裝入產品底部所提供的開口。
3. 用兩個螺絲固定皮帶掛鉤。
4. 裝入電池。→ 頁次 158



## 5.6 安裝Hilti鑽頭接桿 (選配)

1. 卸下電池。→ 頁次 158
2. 將鑽頭接桿裝入產品底部左右所提供的開口其中之一。
3. 將鑽頭接桿固定鑽頭接桿。
4. 裝入電池。→ 頁次 158

## 5.7 Hilti安裝固定帶 (選配)

### 注意

產品及 / 或吊繩受損。不當操作會造成本產品及 / 或吊繩受損。

- ▶ 請勿使用金屬鍊作為吊繩。請勿使用長度超過2,0 m (6 ft)的吊繩。



為避免損壞或受傷，在高處作業時建議使用Hilti固定帶。

固定帶可用於連接固定線或吊繩。

使用本產品作業時，必須遵守於高處作業的相關國家法規。

1. 卸下電池。→ 頁次 158
2. 將固定帶上的兩個標籤插到底部兩側的槽縫中。
3. 使用提供的螺絲將固定帶固定妥當。
4. 裝入電池。→ 頁次 158

## 5.8 選擇檔位

- ▶ 選擇檔位。

## 5.9 正轉或逆轉設定



聯鎖裝置可防止當馬達運轉時，有任何開關動作。

當正轉 / 逆轉開關在中間時，控制開關便會鎖住 (安全鎖)。

- ▶ 依適用情況，將正轉 / 逆轉選擇開關設定為正轉或逆轉。

## 5.10 安裝 / 卸下配件工具

1. 將正轉 / 逆轉開關設定在中間，或將電池自電動機具卸下。
2. 打開自動鑽夾頭。
3. 安裝配件工具，或是從夾頭卸下。
4. 鎖緊自動鑽夾頭。
5. 確認配件工具已確實鎖住。

## 5.11 鑽孔


### 注意

有受傷的危險！配件工具可能會突然卡住，造成機具順其轉軸旋轉。

- ▶ 隨時以雙手握緊安裝在電動機具上的側向握把。
- ▶ 請務必握緊側向握把的末端。

### 注意

有受傷的危險！飛散碎片的危險！

- ▶ 佩戴護目鏡。
- ▶ 將扭力與操作模式選擇環旋轉至「鑽孔」記號處 



## 5.12 鎚擊動作鑽孔

SF 6H-A22

- ▶ 將功能選擇環設定為「鎚擊動作鑽孔」位置

## 5.13 螺絲起子作業

- ▶ 將扭力與操作模式選擇環旋轉至所需的記號處。

## 5.14 開啟開關

- ▶ 按下控制開關。
  - ▶ 轉速可從最低至最高速無級調整。

## 5.15 關閉開關

- ▶ 鬆開控制開關。

## 6 維護及保養



### 警告

電池裝入時有受傷的危險！

- ▶ 進行維護及保養前，請務必卸下電池！

### 產品保養

- 小心地清除頑強的髒污。
- 若有，請使用乾燥的軟刷子小心地清潔通風口。
- 僅可使用微濕的軟布清潔機殼。請勿使用含矽膠的清潔或亮光劑，因為可能會造成塑膠零件損壞。
- 請使用乾淨的乾布清潔產品的接點。

### 鋰電池的保養

- 通風口堵塞時請勿使用電池。請使用乾燥的軟刷子小心地清潔通風口。
- 請避免電池暴露在粉塵或髒污的環境之中。請勿讓電池接觸過高的濕氣（例如：浸入水中或淋雨）。電池若濕透，請將該電池視為已受損。請將電池隔絕在不可燃的容器內，並洽詢Hilti維修中心。
- 避免電池沾上油脂。避免讓電池上積聚粉塵或髒污。請使用乾燥的軟刷或乾淨的乾布清潔電池。請勿使用含矽膠的清潔或亮光劑，因為可能會造成塑膠零件損壞。  
請勿觸摸電池的觸點或從觸點上去除廠塗敷的油脂
- 僅可使用微濕的軟布清潔機殼。請勿使用含矽膠的清潔或亮光劑，因為可能會造成塑膠零件損壞。

### 維護

- 定期檢查外部零件和控制元件有無損壞跡象，並確認它們運作正常。
- 如果有損壞跡象或任何零件功能故障，請不要操作本產品。請立即將產品交付Hilti維修中心進行維修。
- 清潔及保養後，裝上所有防護套或保護裝置並檢查功能是否正常。



為確保操作的安全及可靠性，請務必使用原廠Hilti備件與耗材。您可以在Hilti Store或在以下網站選購Hilti認可的備用零件、耗材和配件：[www.hilti.group](http://www.hilti.group)

## 7 充電式機具和電池的運輸與存放

### 搬運



### 注意

搬運時意外啟動！

- ▶ 搬運產品時務必卸下電池！
- ▶ 取出電池。
- ▶ 切勿散裝運輸電池。運送過程中，應保護電池避免衝擊與震動並與導電物質或其他電池隔離，以免因與電池端子接觸而造成短路。請遵守您所在地當地的電池運輸規範。
- ▶ 請勿以郵寄方式遞送電池。若要運送未損壞之電池，請洽詢運送服務商。
- ▶ 每次使用前以及長途運輸前後請檢查本產品和電池是否受損。



## 設備的貯放

### 警告

瑕疵或漏液的電池所造成的意外損害！

- ▶ 存放產品時，一律不可插入電池！
- ▶ 請將本產品和電池存放在陰涼及乾燥處。請遵守技術性數據中所規定的溫度極限值。
- ▶ 請勿將電池貯放在充電器中。完成充電程序後，請將電池從充電器取出。
- ▶ 請勿將電池存放在有日光直射處、熱源上或玻璃後方。
- ▶ 請將本產品和電池存放在兒童或未授權人員無法觸及的地點。
- ▶ 每次使用前以及長時間存放前後請檢查本產品和電池是否受損。

## 8 故障排除

若您遇到未列出的問題或是無法自行排除的問題，請聯絡Hilti維修中心。

### 8.1 故障排除

故障	可能原因	解決方法
電鑽 / 起子無法工作。	沒有正確安裝電池。	▶ 裝入電池。→ 頁次 158
	電池已放電。	▶ 更換電池，並對無電量的電池再次充電。
4個LED均閃爍。 電鑽 / 起子無法工作。	電鑽 / 起子已暫時過載。 過熱防護措施	▶ 鬆開控制開關，接著再按一次。 ▶ 等待電鑽 / 起子冷卻，然後清潔通風口。
1個LED閃爍。 電鑽 / 起子無法工作。	電池已放電。	▶ 更換電池，並對無電量的電池再次充電。
	電池溫度過低。	▶ 將電池置於建議操作溫度環境內。
	電池溫度過高。	▶ 將電池置於建議操作溫度環境內。
SF 6H-A22 不得進行鎚擊動作鑽孔。	選擇環未確實旋轉至操作模式。	▶ 將功能選擇環設定為「鎚擊動作鑽孔」位置。
無法按下控制開關，或開關卡住。	正轉 / 逆轉開關位於中間位置（搬運位置）。	▶ 依適用情況，將正轉 / 逆轉選擇開關設定為正轉或逆轉。 → 頁次 159
電鑽 / 起子或電池溫度極高。	電力故障	▶ 立即將電鑽 / 起子關閉，卸下電池，並聯絡Hilti服務中心。
	電鑽 / 起子已超載（超出其應用限制）。	▶ 檢查應用。

## 9 廢棄設備處置

### 警告

不當的廢棄物處理可能導致人員受傷！洩漏出來的氣體或液體有害健康。

- ▶ 請勿以郵寄方式寄送電池。
- ▶ 將電池端子蓋上不導電物質（例如絕緣膠帶）以避免短路。
- ▶ 請將電池棄置於兒童無法觸及的地方。
- ▶ 請將該電池送交Hilti Store處理或洽詢權責的廢棄處理公司。

Hilti產品所採用的材料大部分均可回收再利用。材料在回收前必須正確地分類。Hilti在許多國家都有提供老舊機具回收服務。請洽詢Hilti客服中心或您在地經銷商。



- ▶ 請勿將機具、電子設備或電池當作一般家用廢棄物處理！



按一下本連結可前往危險物質表：

- SF 6-A22: [qr.hilti.com/r9370541](http://qr.hilti.com/r9370541)
- SF 6H-A22: [qr.hilti.com/r9370482](http://qr.hilti.com/r9370482)

您可在文件最後找到QR碼格式的RoHS表連結。

## 11 製造商保固

► 如果您對於保固條件有任何問題，請聯絡當地Hilti代理商。

Hilti Taiwan Co., Ltd.

4/F, No. 2 Jen Ai Road, Sec. 2, Taipei, 10060 Taiwan

Tel. +886 2 2357 9090

## 原版操作說明

### 1 文档信息

#### 1.1 关于该文档

- 首次操作或使用前，请先阅读本文档。这是安全、无故障地操作和使用产品的前提条件。
- 请遵守本文档中以及产品上的安全说明和警告。
- 请务必将本操作说明与本产品保存在一起，确保将操作说明随产品一起交给他人。

#### 1.2 所用标志的说明

##### 1.2.1 警告

警告是为了提醒您在处理或使用此产品时会发生的危险。使用以下信号词：



**危险！**

► 用于让人们能够注意到会导致严重身体伤害或致命的迫近危险。



**警告！**

► 用于提醒人们注意可能导致严重或致命伤害的潜在危险。



**小心！**

► 用于提醒人们注意可能造成人身伤害、设备损坏或其他财产损失的潜在危险情况。

##### 1.2.2 操作说明中的符号

本操作说明中使用下列符号：



遵守操作说明



使用说明和其他有用信息



处理可回收材料



不得将电气设备和电池作为生活垃圾处置



Hilti 锂离子电池



Hilti 充电器





### 1.2.3 图示中的符号

图示中使用了下列符号：

	这些编号指本操作说明开始处的相应图示。
3	图示中的编号反映操作顺序，可能与文本中描述的步骤不同。
	位置编号被用于概览图中并表示产品概览段落中的图例编号。
	这些字符旨在提醒您特别注意操作本产品时的某些要点。

## 1.3 与产品相关的符号

### 1.3.1 产品使用的符号

产品使用的符号如下：

	本产品支持无线数据传输，兼容 iOS 和 Android 平台。
	使用 Hilti 锂离子电池类型系列。请遵守“预期用途”一章中所述信息。
Li-Ion	锂离子电池
	切勿将电池用作敲击工具。
	请勿让电池掉落。切勿使用受到撞击或有任何损坏的电池。
	直流电 (DC)
	不通过锤击作用钻孔
	通过锤击作用钻孔 (锤击钻孔)
	保护等级 II (双重绝缘)
$n_0$	无负荷下的额定转速
/min	每分钟转数

## 1.4 产品信息

产品经设计适用于专业用户，只有经过专门训练的授权人员才允许操作、维修和维护本产品。必须将任何可能的危险专门告知该人员。不按照说明使用或由未经培训的人员不正确地使用本产品及其辅助设备可能会带来危险。

型号名称和序列号印在铭牌上。

- 在下表中填写序列号。在联系 Hilti 维修中心或当地 Hilti 机构询问产品时，将要求您提供产品的详细信息。

#### 产品信息

电钻/起子机	SF 6-A22   SF 6H-A22
分代号	02
序列号	

## 1.5 符合性声明

按照我们单方面的责任，我们声明本产品符合下列适用指令和标准：一致性声明副本位于本文档结尾处。技术文档在此处归档：

Hilti Entwicklungsgesellschaft mbH | Tool Certification | Hiltistrasse 6 | 86916 Kaufering, Germany



### 2.1 一般电动工具安全警告

**⚠ 警告** 请阅读本电动工具随附的所有安全警告、说明、图示和技术规范。不遵守下列所有操作说明可能会导致电击、火灾和/或严重人身伤害。

请保存所有安全警告和操作说明，以供将来参考。

在所有下列的警告中术语“电动工具”指市电驱动(有线)电动工具或电池驱动(无线)电动工具。

#### 工作区域安全

- ▶ 保持工作区域清洁和良好照明。杂乱和黑暗的区域容易导致事故。
- ▶ 不要在爆炸性环境中操作电动工具，例如有易燃液体、气体或灰尘。电动工具会产生可以点燃这些灰尘或烟雾的火花。
- ▶ 在操作电动工具时，要令儿童和旁观者远离工作现场。万一分心，可能会使您失去对电动工具的控制。

#### 电气安全

- ▶ 电动工具(设备)插头必须匹配电源插座。切勿以任何方式改动插头。对于接地的电动工具(设备)，不要使用任何适配器插头。使用未经改动的插头和匹配的电源插座可以大大减少电击危险。
- ▶ 避免人体接触接地表面，如管道、散热片和冰箱。如果您的身体接地，则会增加电击危险。
- ▶ 不要将电动工具暴露在雨水或潮湿环境中。电动工具进水将会增加电击危险。
- ▶ 不要滥用电缆。切勿使用电缆运送、拉动或拔出电动工具。保持电缆远离高温、油、锋利边缘或运动部件。电缆损坏或缠绕会增加电击危险。
- ▶ 当在户外操作电动工具时，应使用经认可适合户外操作的加长电缆。使用适合户外使用的电缆可减少电击危险。
- ▶ 如果在潮湿环境下操作电动工具是不可避免的，应使用剩余电流动作保护器(RCD)。使用RCD可减小电击危险。

#### 人身安全

- ▶ 保持警觉，注意您正在进行的工作，并在操作电动工具的过程中，应利用自己的判断能力。当您疲劳或受到药物、酒精或医疗影响时，请不要使用电动工具。当操作电动工具时，瞬间的分心都可能导致严重的人身伤害。
- ▶ 使用个人防护装备。一定要戴上护目装置。安全装置，诸如适当条件下使用防尘面具、防滑安全鞋、安全帽、听力防护等装置能减少人身伤害。
- ▶ 防止电动工具意外启动。在连接至电源和/或电池组、拿起或搬运电动工具之前，应确保开关处于“关闭”位置。将手指放在开关上搬运电动工具或在开关处于“打开”位置时接通电源，都可能会导致事故发生。
- ▶ 在打开电动工具之前，必须拿掉任何调整键或扳手。让扳手或调整键留在电动工具的旋转部件上可能会导致人身伤害。
- ▶ 不要操之过急。应时刻保持正确的站姿和平衡。这在意外情况下能够更好地控制电动工具。
- ▶ 应确保正确着装。不要穿着松垮的衣服或佩戴首饰。让头发和衣服远离运动部件。松垮的衣服、首饰或长发会卡在运动部件中。
- ▶ 如果提供有助于连接除尘和集尘设施的装置，应确保将它们连接好并正确使用。使用除尘装置可以减少与灰尘相关的危险。
- ▶ 经常使用工具能令您获得较高的熟练度，但不能因此掉以轻心和忽视工具安全准则。一次不慎操作就会在瞬间导致重伤。

#### 电动工具的使用和维护

- ▶ 不要强制使用电动工具。针对您的应用场合使用正确的电动工具。正确的电动工具在其额定设计值范围内将能够更好和更安全地工作。
- ▶ 如果通过开关不能使其打开和关闭，则请不要使用电动工具。任何不能通过开关进行控制的电动工具都是危险的，必须对其进行修理。
- ▶ 在进行任何调整、更换配件或存放电动工具之前，应从电源上断开插头和/或从电动工具上拆下电池组(若可拆卸)。此预防性安全措施可减少意外启动电动工具的危险。
- ▶ 将不用的电动工具存放在儿童拿不到的地方，并且不要让不熟悉电动工具或其操作说明的人员操作电动工具。未经培训的用户操作电动工具是危险的。
- ▶ 维护电动工具和配件。检查是否存在运动部件失调或卡滞、部件断裂和任何其它影响电动工具操作的情况。如果存在损坏，则在使用之前应修理电动工具。许多事故都是由于电动工具维护不良造成的。
- ▶ 保持切削工具锋利和清洁。带锋利切削刃的切削工具如果维护得当，很少会发生卡滞且更容易控制。
- ▶ 按照使用说明书，考虑作业条件和进行的作业来使用电动工具、附件和工具的刀头等。将电动工具用于指定用途以外的场合会导致危险。
- ▶ 使手柄和抓握面保持干燥、清洁且没有油脂。如果手柄和抓握面打滑，将无法在意外情况下安全操作或控制本工具。



## 无绳 (电池操作) 工具/设备的使用和维护

- ▶ 充电时只能使用制造商指定的充电器。适合某种类型电池组的充电器如果被用于为另一类型电池组充电，则可能会带来火灾危险。
- ▶ 只能使用专用电池组为电动工具供电。使用任何其他电池组可能会带来人身伤害和火灾。
- ▶ 当电池组不用时，应使其远离其它金属物体，例如纸夹、硬币、钥匙、钉子、螺钉或其它小的金属物体，以免造成短路。如果电池端子被短路，则会造成人员烧伤或火灾。
- ▶ 如果持续滥用电池，则可能会造成液体从电池中喷射出来；注意避免接触到液体。如果意外接触到液体，应用水冲洗。如果液体接触眼睛，除了用大量清水冲洗外，还应立即就医。从电池中喷射出来的液体会导致疼痛或灼伤。
- ▶ 不要使用损坏或改装过的电池组或工具。损坏或改装过的电池会造成不可预测的情形，导致火灾、爆炸或受伤风险。
- ▶ 不要将电池组或工具暴露在明火或过高的温度中。暴露在明火或超过 130 °C (265 °F) 温度中可能导致爆炸。
- ▶ 遵守所有充电说明，且不要在使用说明规定的温度范围之外对电池组或工具充电。充电不正确或在规定温度范围之外充电会损坏电池并增加火灾风险。

## 保养

- ▶ 将您的电动工具送交专业维修人员，使用同样的备件进行修理。这样才可确保维持电动工具 (设备) 的安全性。
- ▶ 切勿擅自维修损坏的电池组。仅可由制造商或授权服务提供商执行电池组的维修。

## 2.2 钻孔安全警告

### 所有操作的安全说明

- ▶ 当进行冲击式钻孔时，应佩戴护耳装置。如果直接暴露在噪音中，则会导致听力受损。
- ▶ 使用辅助手柄。对工具失去控制可能会导致人身伤害。
- ▶ 当执行切削配件或紧固件可能会接触到隐藏导线的操作时，应确保只能通过绝缘把手表面握住电动工具。如果切削配件或紧固件接触“带电”导线，则会使电动工具的裸露金属部件“带电”，从而可能会电击到操作者。

### 使用长钻头时的安全说明

- ▶ 操作时不得超出钻头的最大额定转速。否则，如果让钻头在不接触工件的情况下任意旋转，则钻头极易发生弯曲；进而导致人员受伤。
- ▶ 始终以低转速开始钻孔，并使钻头尖端与工件接触。否则，如果让钻头在不接触工件的情况下任意旋转，则钻头极易发生弯曲；进而导致人员受伤。
- ▶ 施力方向应与钻头保持在同一直线上，注意不得施力过度。否则，钻头会发生弯曲，导致工具损坏或失去控制，进而造成人员受伤。

### 关于使用搅拌叶片或搅棒的安全说明

- ▶ 仅当搅拌叶片浸没在待搅拌材料中时打开或关闭电动工具。否则会导致失控，继而造成受伤危险。

## 2.3 起子机的其他安全注意事项

### 人身安全

- ▶ 只有产品和附件处于良好的技术状态时才能使用。
- ▶ 切勿以任何方式擅自改动或改装本产品或附件。
- ▶ 请使用随产品提供的辅助手柄。对工具失去控制可能会导致人身伤害。
- ▶ 应始终用双手通过提供的手柄稳稳握住产品。保持手柄清洁干燥。
- ▶ 请勿触摸旋转部件 - 人身伤害危险！
- ▶ 使用本产品时请佩戴适当的护目镜、安全帽、护耳装置和轻型呼吸防护装置。
- ▶ 在更换配套工具时佩戴防护手套。触碰配套工具会导致割伤和烫伤。
- ▶ 请戴上护目装置。飞溅的碎片有导致身体和眼睛受伤的风险。
- ▶ 磨削、抛光、切割和钻孔过程中产生的粉尘可能包含有害化学物质。一些例子包括：铅或铅基涂料；砖、混凝土、其他砖石产品、天然石材和其他含硅酸盐的产品；一些木材，例如橡木、山毛榉和化学处理过的木材；石棉或含石棉的材料。根据所处理材料的危险等级，确定操作员和附近人员的暴露程度。采取必要的措施将暴露保持在安全水平内，例如使用集尘系统或佩戴适当的呼吸防护装置。减少暴露的一般措施包括：
  - ▶ 在通风良好的区域进行操作，
  - ▶ 避免长时间接触粉尘，
  - ▶ 清除脸部和身上的粉尘，
  - ▶ 穿着防护服并用肥皂和水清洗暴露的部位。



- ▶ 适当休息并活动手指，以改善手指的血液循环。工作期间长时间暴露于强烈振动环境中可能导致手指、手掌和手腕部位血管和神经系统紊乱。

### 电气安全

- ▶ 开始工作前，检查工作区域是否有隐蔽的电缆或天然气和水管。如果电缆、燃气管或水管有损坏，则产品的外部金属部件可能会导致电击或爆炸。

### 电动工具的使用和保养

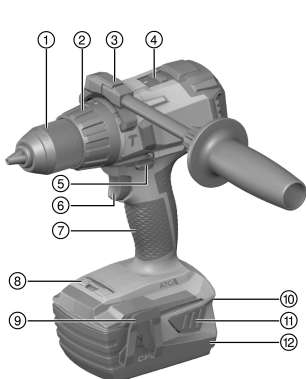
- ▶ 如果配套工具卡住，应立即关闭本产品。本产品可能会跑偏并转向一侧。
- ▶ 直至产品完全停止才可将其放下。

## 2.4 小心处理和使用电池

- ▶ 遵守适用于锂离子电池的运输、存放和使用的专用指南。
- ▶ 不要将电池暴露在高温、直射阳光或明火环境下。
- ▶ 请勿拆开、挤压或烧毁电池，不要让它们暴露在超过 80°C (176°F) 的高温下。
- ▶ 如果电池受到过物理冲击、从高处跌落过或表现出损坏迹象，则不得使用电池或为其充电。在这种情况下，请务必联系您的 **Hilti 维修中心**。
- ▶ 如果电池发热烫手，则可能有故障。请将电池放在醒目且无火灾风险的地方，并与易燃物品保持足够距离。让电池自行冷却。如果一小时后电池仍然发热烫手，则表示存在故障。联系 **Hilti 维修中心**。

## 3 说明

### 3.1 概述



- ① 无键夹头
- ② 扭矩和操作模式调节圈
- ③ 侧面手柄
- ④ 档位选择开关
- ⑤ 前进/后退选择开关，带安全锁
- ⑥ 控制开关 (带电子速度控制器)
- ⑦ 把手
- ⑧ 工作区域照明灯
- ⑨ 皮带钩 (选装)
- ⑩ 充电状态和故障指示灯 (锂离子电池)
- ⑪ 电池释放按钮
- ⑫ 电池

### 3.2 预期用途

所述产品为手持充电式电钻/起子机。它设计用于在钢材、木材、塑料、多孔混凝土和砖石建筑中钻孔以及驱动安装和拆卸螺钉。

- ▶ 使用本产品仅限使用 **Hilti B 22** 系列锂离子电池。
- ▶ 请仅使用 **Hilti C4/36** 系列电池充电器为这些电池充电。

### 3.3 供货提供的部件：

电钻/起子机，侧面手柄，操作说明。

经批准可以配合本产品使用的其它系统产品，可以通过您当地的 **Hilti Store** 购买或通过网址在线订购：[www.hilti.group](http://www.hilti.group) | 美国：[www.hilti.com](http://www.hilti.com)

### 3.4 锂离子电池状态显示

锂离子电池充电状态和电动工具的故障由锂离子电池上的显示屏进行指示。按下两个电池释放按钮中的一个后，可以显示锂离子电池的充电状态。

状态	含义
4 个 LED 亮起。	充电状态：75% 至 100%



状态	含义
3 个 LED 亮起。	充电状态：50% 至 75%
2 个 LED 亮起。	充电状态：25% 至 50%
1 个 LED 亮起。	充电状态：10% 至 25%
1 个 LED 闪烁。	充电状态：< 10%
1 个 LED 闪烁，电动工具未处于正常工作状态。	电池过热或完全放电。
4 个 LED 闪烁，电动工具未处于正常工作状态。	电动工具过载或过热。

**i** 按下控制开关 5 秒，松开开关之后，将不会显示电池的充电状态。  
如果电池显示屏 LED 闪烁，请按照“故障排除”章节中提供的说明进行操作。

### 3.5 ATC

本产品配备 ATC(Active Torque Control) 快速电子切断装置。

若配套工具粘住或停止，本产品将会突然以相反的方向围绕自身轴线旋转。ATC 可探测到产品的突然旋转运动，并立即关闭产品。

**i** 为了 ATC 正常工作，产品必须可自由旋转。  
执行 ATC 切断后，先关闭然后再开启产品。

### 3.6 过载和过热保护指示灯

电动工具配备了旨在防止过载和过热的电子系统。过载或过热时电动工具会自动关闭。如果在刚释放控制开关后又按下它，电动工具不会立即重新启动(冷却阶段)。

## 4 技术数据

		SF 6-A22	SF 6H-A22
额定电压		21.6 V <sub>DC</sub>	21.6 V <sub>DC</sub>
符合 EPTA Procedure 01 要求的重量 (包括 B228.0 电池)		3.1 kg	3.1 kg
转速	1 档	0 rpm ... 490 rpm	0 rpm ... 490 rpm
	2 档	0 rpm ... 2,000 rpm	0 rpm ... 2,000 rpm
扭矩 (软接头) $\frac{1}{2}$		≤ 65 Nm	≤ 65 Nm
冲击速度		•/•	36,000 rpm
工作环境温度		-17 °C ... 60 °C	-17 °C ... 60 °C
存放温度		-20 °C ... 70 °C	-20 °C ... 70 °C

### 4.1 电池

电池工作电压	21.6 V
工作环境温度	-17 °C ... 60 °C
存放温度	-20 °C ... 40 °C
电池充电起始温度	-10 °C ... 45 °C

### 4.2 配件工具 - 允许直径

∅ 无匙夹头直径范围	1.5 mm ... 13 mm
∅ 木工钻头 (硬木)	1.5 mm ... 20 mm
∅ 木工钻头 (软木)	1.5 mm ... 32 mm
∅ 钻金属用钻头	1.5 mm ... 13 mm
∅ 在混凝土/砖石建筑中钻孔 (锤击钻孔)	4 mm ... 12 mm



### 4.3 噪音信息和振动值按照 EN 62841 标准

这些说明中给出的声压和振动值按照标准化测试的要求测得，可用于比较一种电动工具与另一种电动工具。它们还可用于初步评价受振动影响的程度。

提供的数据代表本电动工具的主要应用。但是，如果将电动工具用于不同的应用、使用不同的配套工具或维护不良，则数据可能不同。这可能会显著增加操作者在整个工作期间受振动影响的程度。

对受振动影响程度的准确估计还应考虑当关闭电动工具或当它运行但实际未进行工作时的情况。这可能会显著减小操作者在整个工作期间受振动影响的程度。

此外，应确定附加安全措施，以保护操作者免受噪音和/或振动影响，例如：正确维护电动工具和配套工具、保持双手温暖、制订合理的工作计划等。

#### 噪声排放值

	SF 6-A22	SF 6H-A22
排放声压级 ( $L_{pA}$ )	78 dB(A)	91 dB(A)
声压级的不确定性 ( $K_{pA}$ )	3 dB(A)	3 dB(A)
声功率级 ( $L_{WA}$ )	89 dB(A)	102 dB(A)
声音功率级的不确定性 ( $K_{WA}$ )	3 dB(A)	3 dB(A)

#### 总振动量

	SF 6-A22	SF 6H-A22
在金属中钻孔的振动发射值 ( $a_{h,D}$ )	1.4 m/s <sup>2</sup>	2.8 m/s <sup>2</sup>
在金属中钻孔的不确定性 (K)	1.5 m/s <sup>2</sup>	1.5 m/s <sup>2</sup>
螺丝驱动的振动发射值 ( $a_n$ )	0.8 m/s <sup>2</sup>	1.1 m/s <sup>2</sup>
螺丝驱动的不确定性 (K)	1.5 m/s <sup>2</sup>	1.5 m/s <sup>2</sup>
在混凝土中锤击钻孔的振动发射值 ( $a_{h,ID}$ )	*/•	15.4 m/s <sup>2</sup>
在混凝土中锤击钻孔的不确定性 (K)	*/•	1.5 m/s <sup>2</sup>

## 5 操作

### 5.1 插入电池



**-警告-**

人身伤害的危险！短路或电池掉落会带来人身伤害的危险！

- ▶ 装入电池之前，确保电池和产品上的触点上均无异物。
- ▶ 确保电池正确嵌入。

1. 在首次使用电池之前，要给电池完全充电。
2. 将电池推入产品，直至听到卡止声。
3. 检查并确认电池已可靠就位。

### 5.2 拆卸电池

1. 按下电池释放按钮。
2. 将电池从工具中取出。

### 5.3 给电池充电

1. 为电池充电之前，请阅读充电器的操作说明。
2. 确保电池和充电器上的触点均清洁、干燥。
3. 使用认可的充电器为电池充电。→ 页码 166

### 5.4 安装侧面手柄



**-小心-**

人身伤害的危险！失去对旋转电锤的控制。

- ▶ 检查并确认侧面手柄已正确安装和可靠固定。确保已将夹具正确地固定在专用凹槽中。

1. 将前进/后退开关移至中间位置。
2. 转动把手以释放侧面手柄的夹具。



3. 将侧面手柄夹紧带完全定位于壳体中，并将夹具推入专用凹槽中。
4. 转动把手以夹紧侧面手柄的夹具。

## 5.5 安装皮带钩 (选装)

### -警告-

人身伤害的危险。如果电动工具掉落，则可能会对您或他人造成人身伤害。

- ▶ 在开始工作之前，检查并确保带钩已可靠安装。



通过带钩可将电动工具连接在操作者佩戴的背带上。安装好皮带钩后，将电动工具挂在身体的左边或右边。

1. 拆下电池。→ 页码 168
2. 将带钩插入产品底部的开口处。
3. 用两个螺钉固定带钩。
4. 安装电池。→ 页码 168

## 5.6 安装 Hilti 钻头夹 (可选)

1. 拆下电池。→ 页码 168
2. 将钻头夹插入产品底部的左侧或右侧开口处。
3. 用两个螺钉固定钻头夹。
4. 安装电池。→ 页码 168

## 5.7 安装 Hilti 固定带 (可选)

### 注意

本产品<sup>和/或</sup>系索损坏。操作不正确可能导致本产品<sup>和/或</sup>系索损坏。

- ▶ 不要使用金属链条作为系索。不得使用长度超过 2,0 m (6 ft) 的系索。



为了避免损坏和人身伤害，在高空作业时，最好使用 Hilti 固定带。

允许在该固定带上连接安全绳或系索。

使用本产品时，必须遵守有关高空作业的国家规定。

1. 拆下电池。→ 页码 168
2. 将固定带上的两个插舌插入底座两侧的插槽中。
3. 用附带的螺钉将固定带固定。
4. 安装电池。→ 页码 168

## 5.8 选择档位

- ▶ 选择档位。

## 5.9 设置前进或后退旋转



但在电机运行时，联锁装置将会阻止此切换。

当前进/后退开关位于中间位置 (安全锁) 时，控制开关被锁止。

- ▶ 在适当的情况下，将前进/后退选择开关设置到向前或反向旋转。

## 5.10 插入/拆卸配套工具

1. 将前进/后退开关设置在中间位置或从电动工具上拆下电池。
2. 打开无匙夹头。
3. 将配套工具插入夹头或将其从夹头上拆下。
4. 拧紧无匙夹头。
5. 检查并确保配套工具牢牢固定。



## 5.11 钻孔

### -小心-

人身伤害的危险。配套工具可能会突然停止，导致电动工具绕其自身轴线旋转。

- ▶ 应始终在已安装侧面手柄的情况下使用电动工具，并用双手牢牢握住电动工具。
- ▶ 始终握紧侧面手柄的最外端。

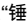
### -小心-

人身伤害的危险。碎片飞溅的风险。

- ▶ 请戴上护目装置。
- ▶ 将扭矩和操作模式调节圈设置至“钻孔”符号 。

## 5.12 锤击钻孔

SF 6H-A22

- ▶ 将调节圈设置至“锤击钻孔”位置 。

## 5.13 螺丝驱动

- ▶ 将扭矩和操作模式调节圈设置为所需的扭矩。

## 5.14 打开

- ▶ 按下控制开关。
  - ▶ 可在最小转速到最大转速之间进行无级调节。

## 5.15 关闭

- ▶ 释放控制开关。

## 6 维护和保养

### -警告-

插入电池时存在人身伤害危险！

- ▶ 执行维护和保养任务之前，请务必先取出电池。

### 工具的保养

- 请小心地清除顽固污渍。
- 用干燥的软毛刷 (若有) 小心地清洁通风槽。
- 请仅使用微湿的抹布清洁外壳。不要使用含硅清洁剂，否则可能腐蚀塑料件。
- 用干燥干净的布清洁产品触点。

### 锂离子电池的保养

- 切勿使用通风槽堵塞的电池。用干燥的软毛刷小心地清洁通风槽。
- 避免不必要地将电池暴露在粉尘或污垢中。切勿将电池暴露在高湿度的环境中 (例如将其浸在水中或放在雨中)。如果电池浸湿，请如处理损坏的电池那样对其进行处理。将其隔离在不可燃的容器中，然后联系 **Hilti** 维修中心。
- 确保电池远离外来油脂。切勿让不必要的粉尘或脏污积聚在电池上。用干燥的软毛刷或干燥干净的布清洁电池。不要使用含硅清洁剂，否则可能腐蚀塑料件。不要触摸电池触点，不要清除出厂时涂抹在触点上的油脂。
- 请仅使用微湿的抹布清洁外壳。不要使用含硅清洁剂，否则可能腐蚀塑料件。

### 维护

- 定期检查所有可见部件和控制器是否出现损坏迹象，确保其全部正常工作。
- 如果发现损坏迹象或如果有部件发生故障，不要操作本产品。立即将本产品交由 **Hilti** 维修中心修复。
- 清洁和维护之后，安装所有护板或保护装置，检查并确认其正常工作。







为确保安全和可靠的操作，仅限使用 Hilti 原装备件和消耗品。经 Hilti 许可可与产品搭配使用的备件、消耗品和配件可到您当地的 Hilti Store 购买或访问：[www.hilti.group](http://www.hilti.group)

## 7 电池型工具和电池的运输及存储

### 运输



#### 运输途中的意外启动！

▶ 运输产品前务必将电池取出！

- ▶ 取下电池。
- ▶ 切勿松散、未加保护地运输电池。在运输过程中，应保护电池免受过度冲击或振动影响，并将其与任何导电材料或其它电池分开（因为它们可能会接触到电池端子并导致短路）。请遵守当地的电池运输规定。
- ▶ 请勿以邮寄方式运送电池。有关如何运送完好电池的说明，请咨询您的发货商。
- ▶ 每次使用前以及长时间运输前后都要检查产品和电池是否损坏。

### 存放



#### 故障或泄漏的电池会导致意外损坏！

▶ 仅可在未插入电池的情况下存放产品！

- ▶ 请将产品和电池存放于凉爽干燥的地方。请遵守技术数据中规定的温度极限值。
- ▶ 请勿将电池存放在充电器中。充电过程结束后请始终将电池从充电器中取出。
- ▶ 切勿将电池存放在阳光下、热源上或玻璃后。
- ▶ 请将本产品与电池存放在儿童或非授权人员无法接近的位置。
- ▶ 每次使用前以及长时间存放前后都要检查产品和电池是否损坏。

## 8 故障排除

如果您碰到的问题未在此表中列出或您无法自己实施补救措施，请联系 Hilti 服务部门。

### 8.1 故障排除

故障	可能原因	解决方案
电钻/起子机不工作。	电池未正确插入。	▶ 安装电池。→ 页码 168
	电池放电。	▶ 更换电池，并对已放电电池充电。
4 个 LED 全部闪烁。 电钻/起子机不工作。	电钻/起子机短暂过载。	▶ 释放控制开关，然后再次将其按下。
	防止过热	▶ 等电钻/起子机冷却下来，然后清洁通风口。
1 个 LED 闪烁。 电钻/起子机不工作。	电池放电。	▶ 更换电池，并对已放电电池充电。
	电池过冷。	▶ 将电池调整至推荐的工作温度。
	电池过热。	▶ 将电池调整至推荐的工作温度。
SF 6H-A22 无法进行锤击钻孔。	操作模式未正确设置在调节圈。	▶ 将调节圈设置至“锤击钻孔”位置
控制开关无法按下或卡住。	前进/后退选择开关处于中间位置（运输位置）。	▶ 在适当的情况下，将前进/后退选择开关设置到向前或反向旋转。→ 页码 169
电钻/起子机或电池变得很热。	电气故障	▶ 立即关闭电钻/起子机，拆下电池并联系 Hilti 维修中心。
	电钻/起子机已过载（超过应用限制）。	▶ 检查应用程序。




## 9 废弃处置

---



废弃处理不当会有人身伤害的危险！漏出的气体或液体会带来健康危害。

- ▶ 不得通过邮寄方式发送任何电池。
  - ▶ 用非导电材料 (比如绝缘带) 包住端子，以防止短路。
  - ▶ 在儿童接触不到的地方处置电池。
  - ▶ 请将电池送交 **Hilti Store** 处置，或咨询当地的废弃处理机构以获取处置说明。
- 

 制造 **Hilti** 产品所用的大部分材料都可回收利用。在可以回收之前，必须正确分离材料。**Hilti** 在很多国家都提供旧工具回收服务。请咨询 **Hilti** 客户服务部门或您的销售顾问。



- ▶ 不得将电动工具、电子设备或电池作为生活垃圾处置！
- 

## 10 RoHS (有害物质限制)

---

单击链接，跳转至有害物质表：

- SF 6-A22: [qr.hilti.com/r9370541](https://qr.hilti.com/r9370541)
- SF 6H-A22: [qr.hilti.com/r9370482](https://qr.hilti.com/r9370482)

文档末尾提供二维码形式的 RoHS 表链接。

## 11 制造商保修

---

- ▶ 如对保修条件有任何疑问，请联系您当地的 **Hilti** 代表。



# EC Declaration of Conformity | UK Declaration of Conformity



**Manufacturer:**  
**Hilti Corporation**  
Feldkircherstraße 100  
9494 Schaan | Liechtenstein

**UK Importer:**  
**Hilti (Gt. Britain) Limited**  
1 Trafford Wharf Road, Old Trafford  
Manchester, M17 1BY

**SF 6-A22 (02)**  
**SF 6H-A22 (02)**

Serial Numbers: 1-9999999999

2006/42/EC | Supply of Machinery (Safety)  
Regulations 2008

EN 62841-1

EN 55014-1:2017+A11:2020

2014/30/EU | Electromagnetic Compatibility  
Regulations 2016

EN 62841-2-1

EN 55014-2:2015

2011/65/EU | The Restriction of the Use of  
Certain Hazardous Substances in Electrical and  
Electronic Equipment Regulations 2012

**Paolo Luccini**  
Head of Quality and Process Management  
BA Electric Tools & Accessories

Schaan, 02.11.2020

**Tassilo Deinzer**  
Executive Vice President  
Business Unit Power Tools & Accessories



SF 6-A22



SF 6H-A22









Hilti Corporation  
LI-9494 Schaan  
Tel.:+423 234 21 11  
Fax:+423 234 29 65  
[www.hilti.group](http://www.hilti.group)



2231428