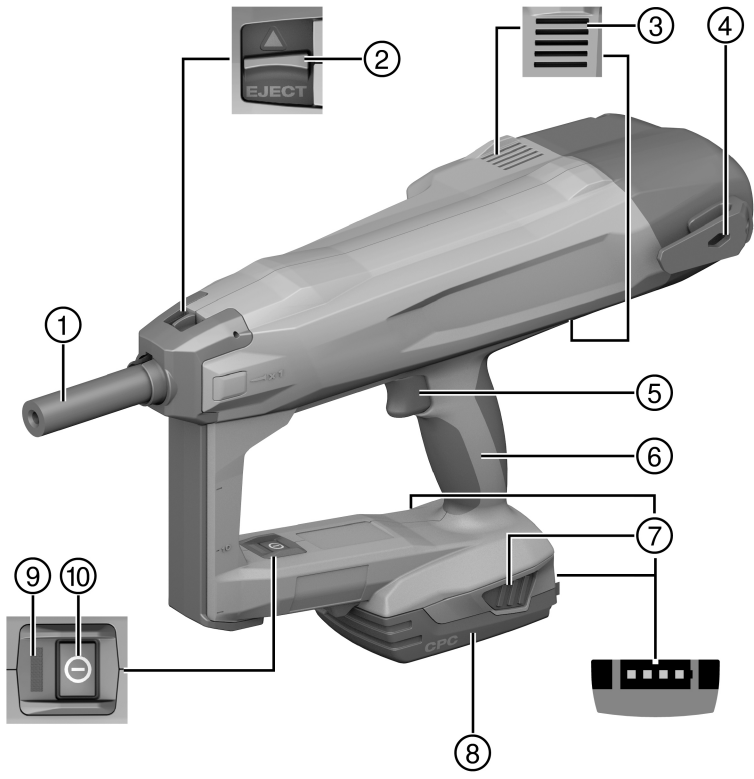


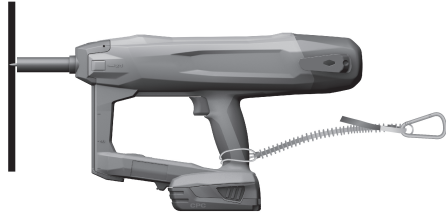


BX 3-SCT

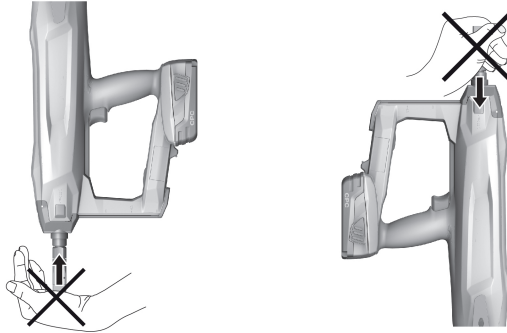
English	1
Français	11
Español	23
Português	35



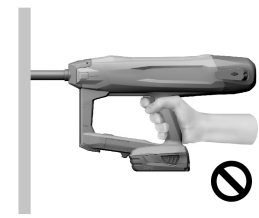
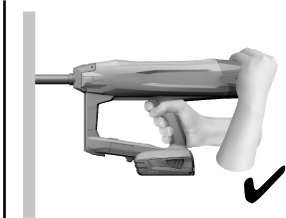
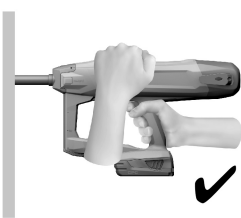
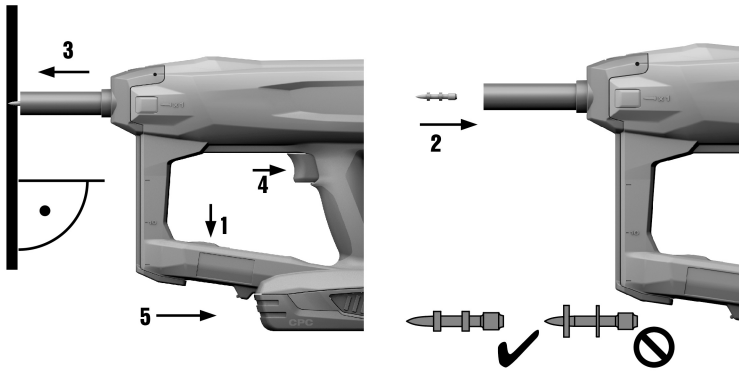
2



3



4



BX 3-SCT

en	Original operating instructions	1
fr	Notice d'utilisation originale	11
es	Manual de instrucciones original	23
pt	Manual de instruções original	35

Original operating instructions

1 Information about the operating instructions

1.1 About these operating instructions

- Read these operating instructions before the product is used or operated for the first time. This is a prerequisite for safe, trouble-free handling and use of the product.
- Observe the safety instructions and warnings in these operating instructions and on the product.
- Always keep the operating instructions with the product and make sure that the product is accompanied by these operating instructions only, when the product is given to other persons.

1.2 Explanation of symbols used

1.2.1 Warnings

Warnings alert persons to hazards that occur when handling or using the product. The following signal words are used:

DANGER

DANGER !

- ▶ Draws attention to imminent danger that will lead to serious personal injury or fatality.

WARNING

WARNING !

- ▶ Draws attention to a potential threat of danger that can lead to serious injury or fatality.





CAUTION

CAUTION !

- ▶ Draws attention to a potentially dangerous situation that could lead to personal injury or damage to the equipment or other property.




1.2.2 Symbols in the documentation

The following symbols are used in this document:

	Read the operating instructions before use.
	Instructions for use and other useful information
	Dealing with recyclable materials
	Do not dispose of electric equipment and batteries as household waste

1.2.3 Symbols in the illustrations

The following symbols are used in illustrations:

	These numbers refer to the corresponding illustrations found at the beginning of these operating instructions
3	The numbering reflects the sequence of operations shown in the illustrations and may deviate from the steps described in the text
	Item reference numbers are used in the overview illustrations and refer to the numbers used in the product overview section
	This symbol is intended to draw special attention to certain points when handling the product.



1.3 Product-dependent symbols

1.3.1 Symbols on the product

The following symbols can be used on the product:

	General symbol for "must do"
	Wear eye protection
	Wear hearing protection
	Wear a hard hat
	Direct current (DC)
	The power tool supports near-field communication (NFC) technology, which is compatible with iOS and Android platforms.
	Hilti Li-ion battery type series used. Observe the information given in the section headed Intended use.
	Never use the battery as a striking tool.
	Do not drop the battery. Never use a battery that has suffered an impact or is damaged in any other way.
	If applied on the product, the product has been certified by this certification body for the US and Canadian markets according to the applicable standards.

1.4 Product information

products are designed for professional users and only trained, authorized personnel are permitted to operate, service and maintain the products. This personnel must be specifically informed about the possible hazards. The product and its ancillary equipment can present hazards if used incorrectly by untrained personnel or if used not in accordance with the intended use.

The type designation and serial number are printed on the rating plate.

- ▶ Write down the serial number in the table below. You will be required to state the product details when contacting Hilti Service or your local Hilti organization to inquire about the product.

Product information

Type:	BX 3-SCT
Generation:	02
Serial number:	

2 Safety

2.1 General power tool safety warnings

WARNING

Read all safety warnings and all instructions. Failure to follow the warnings and instructions may result in electric shock, fire and/or serious injury.

Save all warnings and instructions for future reference.

Work area safety

- ▶ **Keep work area clean and well lit.** Cluttered or dark areas invite accidents.
- ▶ **Do not operate power tools in explosive atmospheres, such as in the presence of flammable liquids, gases or dust.** Power tools create sparks which may ignite the dust or fumes.
- ▶ **Keep children and bystanders away while operating a power tool.** Distractions can cause you to lose control.

Electrical safety

- ▶ **Avoid body contact with earthed or grounded surfaces, such as pipes, radiators, ranges and refrigerators.** There is an increased risk of electric shock if your body is earthed or grounded.



- ▶ **Do not expose power tools to rain or wet conditions.** Water entering a power tool will increase the risk of electric shock.

Personal safety

- ▶ **Stay alert, watch what you are doing and use common sense when operating a power tool. Do not use a power tool while you are tired or under the influence of drugs, alcohol or medication.** A moment of inattention while operating power tools may result in serious personal injury.
- ▶ **Use personal protective equipment. Always wear eye protection.** Protective equipment such as dust mask, non-skid safety shoes, hard hat, or hearing protection used for appropriate conditions will reduce personal injuries.
- ▶ **Prevent unintentional starting. Ensure the switch is in the off-position before connecting to battery pack, picking up or carrying the tool.** Carrying power tools with your finger on the switch or energising power tools that have the switch on invites accidents.
- ▶ **Remove any adjusting key or wrench before turning the power tool on.** A wrench or a key left attached to a rotating part of the power tool may result in personal injury.
- ▶ **Do not overreach. Keep proper footing and balance at all times.** This enables better control of the power tool in unexpected situations.
- ▶ **Dress properly. Do not wear loose clothing or jewellery. Keep your hair, clothing and gloves away from moving parts.** Loose clothes, jewellery or long hair can be caught in moving parts.
- ▶ **If devices are provided for the connection of dust extraction and collection facilities, ensure these are connected and properly used.** Use of dust collection can reduce dust-related hazards.

Power tool use and care

- ▶ **Do not force the power tool. Use the correct power tool for your application.** The correct power tool will do the job better and safer at the rate for which it was designed.
- ▶ **Do not use the power tool if the switch does not turn it on and off.** Any power tool that cannot be controlled with the switch is dangerous and must be repaired.
- ▶ **Disconnect the battery pack from the power tool before making any adjustments, changing accessories, or storing power tools.** Such preventive safety measures reduce the risk of starting the power tool accidentally.
- ▶ **Store idle power tools out of the reach of children and do not allow persons unfamiliar with the power tool or these instructions to operate the power tool.** Power tools are dangerous in the hands of untrained users.
- ▶ **Maintain power tools. Check for misalignment or binding of moving parts, breakage of parts and any other condition that may affect the power tool's operation. If damaged, have the power tool repaired before use.** Many accidents are caused by poorly maintained power tools.
- ▶ **Keep cutting tools sharp and clean.** Properly maintained cutting tools with sharp cutting edges are less likely to bind and are easier to control.
- ▶ **Use the power tool, accessories and tool bits etc. in accordance with these instructions, taking into account the working conditions and the work to be performed.** Use of the power tool for operations different from those intended could result in a hazardous situation.

Battery tool use and care

- ▶ **Recharge only with the charger specified by the manufacturer.** A charger that is suitable for one type of battery pack may create a risk of fire when used with another battery pack.
- ▶ **Use power tools only with specifically designated battery packs.** Use of any other battery packs may create a risk of injury and fire.
- ▶ **When battery pack is not in use, keep it away from other metal objects, like paper clips, coins, keys, nails, screws or other small metal objects, that can make a connection from one terminal to another.** Shorting the battery terminals together may cause burns or a fire.
- ▶ **Under abusive conditions, liquid may be ejected from the battery; avoid contact. If contact accidentally occurs, flush with water. If liquid contacts eyes, additionally seek medical help.** Liquid ejected from the battery may cause irritation or burns.

Service

- ▶ **Have your power tool serviced by a qualified repair person using only identical replacement parts.** This will ensure that the safety of the power tool is maintained.

2.2 Tacker safety warnings

- ▶ **Always assume that the tool contains fasteners.** Careless handling of the tacker can result in unexpected firing of fasteners and personal injury.
- ▶ **Do not point the tool towards yourself or anyone nearby.** Unexpected triggering will discharge the fastener causing an injury.



- ▶ **Do not actuate the tool unless the tool is placed firmly against the workpiece.** If the tool is not in contact with the workpiece, the fastener may be deflected away from your target.
- ▶ **Disconnect the tool from the power source when the fastener jams in the tool.** While removing a jammed fastener, the tacker may be accidentally activated if it is plugged in.
- ▶ **Use caution while removing a jammed fastener.** The mechanism may be under compression and the fastener may be forcefully discharged while attempting to free a jammed condition.
- ▶ **When fastening electrical cables, make sure the cables are not energized. Hold the tacker only by insulated gripping surfaces. Use only fasteners designed for electrical cable installations. Inspect that the fastener has not damaged the insulation of the electrical cables.** A fastener that damages the insulation of electric cables can lead to electric shock and fire hazards.

2.3 Safety instructions

Basic information concerning safety

⚠ WARNING! Read all safety precautions and other instructions. Failure to observe the safety precautions and other instructions may result in electric shock, fire and/or serious injury.

Keep all safety precautions and instructions for future reference.

Requirements to be met by users

- ▶ Only authorized, appropriately trained persons may operate or service this tool.

Personal protective equipment

- ▶ You and all other persons in the vicinity must wear suitable eye protection (ANSI Z87.1 (CAN/CSA Z94.3)) and a hard hat when the tool is in use.
- ▶ Wear hearing protection (ANSI S12.6 (S3.19)).
 - ▶ Exposure to noise can cause hearing loss.

Personal safety

- ▶ Observe the information printed in the operating instructions concerning operation, care and maintenance.
- ▶ Stay alert, watch what you are doing and use common sense when operating a direct fastening tool. Do not use the tool when you are tired or under the influence of drugs, alcohol or medication. Take a break if you experience pain or feel unwell. A moment of inattention while operating tools may result in serious personal injury.
- ▶ Avoid awkward postures. Make sure you work from a safe stance and stay in balance at all times.
- ▶ Take breaks between working and do relaxation and finger exercises to improve the blood circulation in your fingers.
- ▶ Wear non-skid shoes.
- ▶ Keep the arms slightly bent while operating the tool (do not straighten the arms).
- ▶ Keep other people away from the working area, especially children.
- ▶ Risk of injury by falling tools and/or accessories. Before starting work, check that installed accessories are secure.

Use and care of direct fastening tools

⚠ WARNING! Danger of fastener penetrating right through! Before driving fasteners, check to make sure that no one is present behind or below the object into which the fastener is to be driven.

- ▶ Use the right tool for the work you are carrying out. Do not use the tool for purposes for which it was not intended. Use it only as directed and when in faultless condition.
- ▶ Never leave a loaded tool unattended.
- ▶ Transport and store the tool in a secured toolbox.
- ▶ Always switch the tool off before cleaning, maintenance, changing the fastener guide, before work breaks and before storing the tool.
- ▶ When not in use, the tool should be unloaded and stored in a locked, dry place where it is inaccessible to children.
- ▶ Check the tool and the accessories for any damage. Check that moving parts function faultlessly, without sticking, and that no parts are damaged.
 - ▶ All parts must be fitted correctly and fulfill all conditions necessary for correct operation of the tool. Damaged parts must be properly repaired or replaced by **Hilti** Service unless otherwise stated in the operating instructions.
- ▶ Before beginning work, check the working area (e.g. using a metal detector) to ensure that no concealed electric cables or gas and water pipes are present. External metal parts of the power tool may become live, for example, when an electric cable is damaged accidentally.



- ▶ Do not attempt to drive fasteners into unsuitable materials.
 - ▶ Unsuitable materials are glass, marble, plastic, bronze, brass, copper, insulating material, hollow brick, ceramic brick, thin sheet metal (< 4 mm) and cellular concrete. Driving a fastener into these materials may cause the fastener to break, splinter the material or to be driven right through.
- ▶ Pull the trigger only when the tool is fully pressed against the working surface at right angles.
- ▶ When driving fasteners, always hold the fastening tool at right angles to the working surface in order to prevent the fastener being deflected by the surface.
- ▶ Keep the grips dry, clean and free from oil and grease.
- ▶ Never drop the tool.
- ▶ Do not use the tool in places where there is a risk of fire or explosion unless the tool is specially approved for this type of use.

Workplace

- ▶ Keep the workplace tidy. Clear the work zone of objects that could cause injury.
 - ▶ Untidiness in the working area can lead to accidents.
- ▶ Make sure that the working area is well lit and well ventilated.

Mechanical safety rules

- ▶ Do not tamper with or modify the tool or parts of it, especially the piston.
- ▶ Use only fasteners of a type approved for use with the tool.

Thermal safety rules

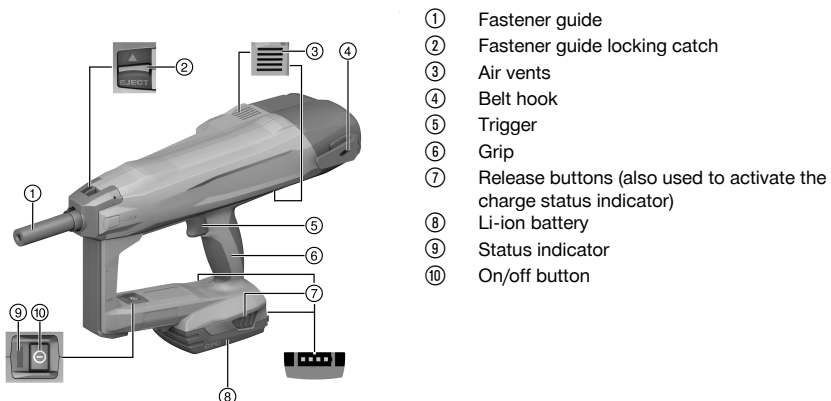
- ▶ Do not exceed the recommended maximum fastener driving rate (see the section headed "Technical data").
- ▶ If the tool has overheated, allow it to cool down.
- ▶ Do not dismantle the tool while it is hot. Allow the tool to cool down.

2.4 Careful handling and use of batteries

- ▶ Observe the special guidelines applicable to the transport, storage and use of lithium-ion batteries.
- ▶ Do not expose batteries to high temperatures, direct sunlight or fire.
- ▶ Do not disassemble, crush or incinerate batteries and do not subject them to temperatures over 80 °C (176 °F).
- ▶ Do not use or charge batteries that have suffered mechanical impact, have been dropped from a height or show signs of damage. In this case, always contact your **Hilti Service**.
- ▶ If the battery is too hot to touch it may be defective. Put the battery in a place where it is clearly visible and where there is no risk of fire, at an adequate distance from flammable materials. Allow the battery to cool down. If it is still too hot to touch after an hour, the battery is faulty. Contact **Hilti Service**.

3 Description

3.1 Product overview



3.2 Intended use

The product is a hand-held, cordless fastening tool. It is designed for driving fasteners into concrete. Use only approved fasteners in combination with the corresponding fastener guide.

CAUTION

Incorrect estimate of concrete strength Use of the wrong fastener guide or the wrong fastener can lead to poor-quality driving of the fastener and subsequently to misjudgment of concrete strength.

- ▶ Always use the correct fastener guide!
- ▶ Always use the right fastener!

The fastening tool, battery and fasteners together form a technical entity. Use the **Hilti** fasteners specially manufactured for the tool and the batteries and chargers recommended by **Hilti**. The fastening and application recommendations made by **Hilti** apply only when these conditions are observed.

- ▶ The fastening tool is for hand-held use only.
- ▶ Misuse must be ruled out. Misuse includes triggering without a fastener inserted in the fastener guide.
- Use only **Hilti** lithium-ion batteries of the B 22 series with this product.
- Use only **Hilti**-approved battery chargers to charge these batteries. More information is available from your **Hilti Store** or from www.hilti.group

3.3 Status indicator

The status indicator provides information about the status of the fastening tool.

Status	Meaning
Off	The fastening tool is switched off
The LED shows green.	The fastening tool is switched on and ready for use
The LED flashes green every 3 seconds.	The fastening tool is in stand-by mode. Press the nose of the tool against the working surface to switch it on
The LED flashes steadily green.	The fastening tool is too hot or the battery has insufficient power; see "Troubleshooting"
The LED flashes red.	Malfunction; see "Troubleshooting"
The LED shows red.	Malfunction; see "Troubleshooting"
The LED flashes yellow.	Bring the fastening tool to Hilti Service .

3.4 Indication of battery charge status

When one of the battery release buttons is pressed, the display indicates the battery's state of charge.

- Reliable indication of the charge status is not possible while a fastener is being driven or immediately after a fastener is driven.

Status	Meaning
All four LEDs show green.	Charge status is 75 % to 100 %.
Three LEDs show green.	Charge status is 50 % to 75 %.
Two LEDs show green.	Charge status is 25 % to 50 %.
One LED shows green.	Charge status is 10 % to 25 %.
One LED flashes green.	Charge status is below 10 %.

3.5 Items supplied

BX 3-SCT fastening tool, operating instructions.

Other system products approved for use with this product can be found at your local **Hilti Store** or at: www.hilti.group



4 Technical data

4.1 Fastening tool

Weight including battery B22/2.6	4.0 kg (8.8 lb)
Fastener guide	X-FG B3-SCT 02
Fasteners	<ul style="list-style-type: none"> • X-M6-8-52 DP7 SCT B3 • X-M6-8-62 DP7 SCT B3 • X-M6-8-87 DP7 SCT B3
Length, fastener	52 mm / 62 mm / 87 mm (2.0 in / 2.4 in / 3.4 in)
Fastener diameter	3.5 mm (0.14 in)
Compression stroke	12 mm (0.5 in)
Contact pressure	50 N ... 70 N (11 lb, ... 16 lb)
Application temperature (ambient temperature)	-15 °C ... 50 °C (5 °F ... 122 °F)
Application temperature, fastener	-10 °C ... 50 °C (14 °F ... 122 °F)
Recommended maximum driving rate	650/h
Rated voltage	21.6 V

5 Preparing the tool for use

5.1 Inserting the battery

WARNING

Risk of injury by short circuit or falling battery!

- ▶ Before inserting the battery, make sure that the contacts on the battery and the contacts on the product are free of foreign matter.
- ▶ Make sure that the battery always engages correctly.

1. Charge the battery fully before using it for the first time.
2. Push the battery into the product until it engages with an audible click.
3. Check that the battery is seated securely.

5.2 Removing the battery

1. Press the battery release buttons.
2. Remove the battery from the tool.

5.3 Charging the battery

1. Before charging the battery, read the operating instructions for the charger.
2. Make sure that the contacts on the battery and the contacts on the charger are clean and dry.
3. Use an approved charger to charge the battery.

5.4 Removing the fastener guide

1. Switch off the fastening tool.
2. Remove the battery.
3. Remove the fastener from the fastener guide.
4. Slide the fastener guide locking catch as far as it will go in the direction of the arrow.
 - ▶ The fastener guide will be released.
5. Remove the fastener guide.



5.5 Inserting the fastener guide


1. Switch off the fastening tool.
2. Remove the battery.
3. Slide the fastener guide locking catch as far as it will go in the direction of the arrow and hold it in this position.
4. Slide the fastener guide into the nosepiece until it engages with an audible click.
5. Release the fastener guide locking catch.
 - ▶ The fastener guide jumps to the middle position.
6. Grip and pull the fastener guide to check that it is securely seated.

5.6 Fall arrest

WARNING


Risk of injury by falling tool and/or accessory!

- ▶ Use only the **Hilti** tool tether recommended for your product.
- ▶ Prior to each use, always check the attachment point of the tool tether for possible damage.
- ▶ Do not secure a tool tether to the belt hook. Do not use a belt hook to lift the product.

 Comply with the national regulations for working at heights.

As drop arrester for this product, use only the **Hilti** tool tether #2261971.

- ▶ Use the loop to secure the tool tether to the product as shown in the illustration. Check that it holds securely.
- ▶ Secure the carabiner to a load-bearing structure. Check that the carabiner holds securely.

 Comply with the operating instructions of the **Hilti** tool tether.

6 Operation

6.1 Switching on the fastening tool

WARNING


Risk of injury! Pressing the nosepiece of the fastening tool against a part of the body may lead to serious injury due to inadvertent firing and release of a fastener.

- ▶ **Never press the nosepiece of the fastening tool against your hand or any other part of the body.**

WARNING

Risk of injury! Under certain circumstances, pulling the fastener guide back by hand could make the tool ready to fire. When the tool is ready to fire, fasteners or the piston could be driven inadvertently into parts of the body.

- ▶ **Never attempt to pull the fastener guide back by hand.**
- ▶ Press the on/off button.
 - ▶ The spring mechanism audibly builds up tension and the status indicator shows green.

 Battery performance drops at low temperatures.
When battery performance drops, tensioning of the spring mechanism takes longer than with a fully charged battery.
If you continue to operate the fastening tool after battery performance drops, the fastening tool will switch itself off automatically before damage to the battery cells occurs.

6.2 Switching off the fastening tool

- ▶ Press the on/off button.
 - ▶ The spring mechanism audibly relieves its tension and the status indicator goes out.



6.3 Driving a fastener 4

WARNING

Risk of injury by incorrect handling and/or splintering material!

- ▶ **Risk of driving a nail through your hand!** Always use both hands to operate the product! Always hold the product firmly with your second hand as illustrated.
- ▶ **Never press the nosepiece of the fastening tool against your hand or any other part of the body!** By unintentionally triggering a driving operation, this can cause severe injury.
- ▶ **Wear personal protective equipment and always wear protective glasses and protective gloves.** Other persons in the vicinity must also wear eye protection and a hard hat. When fasteners are being driven, there is a risk of injury to the body and eyes caused by material splintering off the working surface and also if there are foreign bodies in the area of the fastener guide.
- ▶ Never attempt to clear malfunctions of the tool by continuing to trigger the tool!

CAUTION

Risk of injury and damage to the fastening tool!

- ▶ **Never attempt to re-drive the fastener!** This can lead to fastener breakages and jamming of the fastener.
- ▶ Use only approved, genuine **Hilti** accessories with this tool. The use of unsuitable material and accessories can lead to injuries and damage the fastening tool.

1. Switch on the fastening tool. → page 8
2. Insert the fastener.
3. Hold the fastening tool perpendicular to the working surface and press it against the surface, pushing the fastener guide in as far as it will go.
4. Drive the fastener by pulling the trigger.



After driving each fastener, use the test gauge to check that the stud has been driven to the correct preset depth.

5. Lift the fastening tool completely clear of the working surface after driving a fastener.



- The fastening tool switches itself off automatically if the fastener guide is pressed against the working surface for longer than 6 seconds without a fastener being driven. The fastening tool can be switched on again by pressing the on/off button.

Never attempt to re-drive the fastener!

- The fastening tool switches itself off automatically if it is not used for 6 minutes.

7 Care and maintenance

7.1 Care and maintenance

WARNING

Risk of injury with battery inserted !

- ▶ Always remove the battery before carrying out care and maintenance tasks!

Care and maintenance of the tool

- Switch off the fastening tool.
- Remove the battery.
- Remove the fastener from the fastener guide.
- Carefully remove any dirt that may be adhering to parts.
- Clean the air vents carefully with a dry brush.
- Use only a slightly damp cloth to clean the casing. Do not use cleaning agents containing silicone as these can attack the plastic parts.

Care of the lithium-ion batteries

- Keep the battery free from oil and grease.
- Use only a slightly damp cloth to clean the casing. Do not use cleaning agents containing silicone as these may attack the plastic parts.
- Avoid ingress of moisture.



Maintenance

- Check all visible parts and controls for signs of damage at regular intervals and make sure that they all function correctly.
- Do not operate the product if signs of damage are found or if parts malfunction. Have it repaired immediately by **Hilti Service**.
- After cleaning and maintenance, fit all guards or protective devices and check that they function correctly.



To help ensure safe and reliable operation, use only genuine Hilti spare parts and consumables. Spare parts, consumables and accessories approved by Hilti for use with the product can be found at your local **Hilti Store** or online at: www.hilti.group.

8 Transport and storage of cordless tools

Transport

- ▶ Switch off the fastening tool.

CAUTION

Accidental starting during transport !

- ▶ Always transport your products with the batteries removed!
- ▶ Remove the battery.
- ▶ Remove the fastener from the fastener guide.
- ▶ Never transport batteries in bulk form (loose, unprotected).
- ▶ Check the tool and batteries for damage before use after long periods of transport.

Storage

WARNING

Accidental damage caused by defective or leaking batteries !

- ▶ Always store your products with the batteries removed!
- ▶ Store the tool and batteries in a place that is as cool and dry as possible.
- ▶ Never leave batteries in direct sunlight, near sources of heat or behind glass.
- ▶ Store the tool and batteries in a place where they cannot be accessed by children or unauthorized persons.
- ▶ Check the tool and batteries for damage before use after long periods of storage.

9 Troubleshooting

If the trouble you are experiencing is not listed in this table or you are unable to remedy the problem by yourself, please contact **Hilti Service**.

Trouble or fault	Possible cause	Action to be taken
The spring element is not tensioned; no status indication.	The battery is empty.	▶ Change the battery.
	The battery is not fitted correctly.	▶ Insert the battery. → page 7
The spring element is not tensioned, the status indicator blinks green and 1 battery charge status LED blinks.	The battery is empty.	▶ Change the battery.
	Battery temperature too low.	▶ Allow the battery to warm up slowly to room temperature.
The spring element is not re-tensioned, the status indicator blinks green and 4 battery charge status LEDs blink.	The fastening tool has overheated.	▶ Allow the fastening tool to cool down.
The spring element is not tensioned and the status indicator blinks red.	The fastener guide is not fitted correctly.	▶ Insert the fastener guide.
The spring element is not tensioned and the status indicator lights red.	System fault	▶ Remove the battery. → page 7
		▶ Insert the battery. → page 7



Trouble or fault	Possible cause	Action to be taken
Fastener driven at an angle.	Too much contact pressure applied through the grip to the fastening tool.	► Apply less pressure to press the fastening tool against the surface.
	Fastening tool was angled off the driving axis when pressed against the surface.	► Press the fastening tool at right angles against the surface, applying pressure to the gripping surface on the back of the fastening tool.

10 Disposal

WARNING

Risk of injury due to incorrect disposal! Health hazards due to escaping gases or liquids.

- DO NOT send batteries through the mail!
- Cover the terminals with a non-conductive material (such as electrical tape) to prevent short circuiting.
- Dispose of your battery out of the reach of children.
- Dispose of the battery at your **Hilti Store**, or consult your local governmental garbage disposal or public health and safety resources for disposal instructions.

Most of the materials from which **Hilti** products are manufactured can be recycled. The materials must be correctly separated before they can be recycled. In many countries, your old tools, machines or appliances can be returned to **Hilti** for recycling. Ask **Hilti Service** or your Hilti sales representative for further information.



- Do not dispose of power tools, electronic equipment or batteries as household waste!

11 Manufacturer's warranty

- Please contact your local **Hilti** representative if you have questions about the warranty conditions.

12 Further information

For more information on operation, technology, environment and recycling, follow this link: qr.hilti.com/manual/?id=2338837

This link is also to be found at the end of the documentation, in the form of a QR code.

13 FCC statement (applicable in US) / IC statement (applicable in Canada)

The product complies with part 15 of the FCC Rules and RSS-210 of the IC.

Operation is subject to the following two conditions:

- This device shall cause no harmful interference.
- This device must accept any interference received, including interference that may cause undesired operation.



Changes or modifications not expressly approved by **Hilti** can restrict the user's right to operate the device.

Notice d'utilisation originale

1 Indications relatives au mode d'emploi

1.1 À propos de ce mode d'emploi

- Avant de mettre l'appareil en marche, lire impérativement ce mode d'emploi. C'est la condition préalablement requise pour assurer la sécurité du travail et un maniement sans perturbations.



- Bien respecter les consignes de sécurité et les avertissements du présent mode d'emploi ainsi que celles figurant sur le produit.
- Toujours conserver le mode d'emploi à proximité du produit et uniquement transmettre le produit à des tiers accompagné de ce mode d'emploi.

1.2 Explication des symboles

1.2.1 Avertissements

Les avertissements attirent l'attention sur des dangers liés à l'utilisation du produit. Les termes de signalisation suivants sont utilisés :

DANGER

DANGER !

- ▶ Pour un danger imminent qui peut entraîner de graves blessures corporelles ou la mort.

AVERTISSEMENT

AVERTISSEMENT !

- ▶ Pour un danger potentiel qui peut entraîner de graves blessures corporelles ou la mort.





ATTENTION

ATTENTION !

- ▶ Pour une situation potentiellement dangereuse pouvant entraîner des blessures corporelles ou des dégâts matériels.





1.2.2 Symboles dans la documentation

Les symboles suivants sont utilisés dans la présente documentation :

	Lire le mode d'emploi avant d'utiliser l'appareil
	Pour des conseils d'utilisation et autres informations utiles
	Maniement des matériaux recyclables
	Ne pas jeter les appareils électriques et les accus dans les ordures ménagères

1.2.3 Symboles dans les illustrations




Les symboles suivants sont utilisés dans les illustrations :

	Ces chiffres renvoient à l'illustration correspondante au début du présent mode d'emploi
	La numérotation détermine la séquence des étapes de travail dans l'image et peut se différencier de celles des étapes de travail dans le texte
	Les numéros de position sont utilisés dans l'illustration Vue d'ensemble et renvoient aux numéros des légendes dans la section Vue d'ensemble du produit
	Ce signe doit inviter à manier le produit en faisant particulièrement attention.

1.3 Symboles spécifiques au produit

1.3.1 Symboles sur le produit

Les symboles suivants peuvent être utilisés sur le produit :

	Symboles d'obligation généraux
	Porter des lunettes de protection
	Porter un casque antibruit



	Porter un casque de protection
	Courant continu
	L'appareil prend en charge la technologie NFC qui est compatible avec les plates-formes iOS et Android.
	Série de type d'accu Li-Ion Hilti utilisée. Observer les instructions au chapitre Utilisation conforme à l'usage prévu .
	Ne jamais utiliser l'accu comme outil de percussion.
	Ne pas laisser tomber l'accu. Ne pas utiliser d'accu ayant subi un choc ou d'autres dommages.
	Si présent sur le produit, c'est que le produit a été certifié conformément aux normes en vigueur par cet organisme de certification pour le marché nord-américain et canadien.

1.4 Informations produit

Les produits sont destinés aux professionnels et ne doivent être utilisés, entretenus et réparés que par un personnel autorisé et formé. Ce personnel doit être spécialement instruit quant aux dangers inhérents à l'utilisation de l'appareil. Le produit et ses accessoires peuvent s'avérer dangereux s'ils sont utilisés de manière incorrecte par un personnel non qualifié ou de manière non conforme à l'usage prévu.

La désignation du modèle et le numéro de série figurent sur sa plaque signalétique.

- ▶ Inscrivez le numéro de série dans le tableau suivant. Les informations produit vous seront demandées lorsque vous contactez nos revendeurs ou services après-vente.

Caractéristiques produit

Type :	BX 3-SCT
Génération :	02
Numéro de série :	

2 Sécurité

2.1 Indications générales de sécurité pour les appareils électriques

AVERTISSEMENT ! Lire et comprendre toutes les consignes de sécurité et instructions. Tout manquement à l'observation des consignes de sécurité et instructions risque de provoquer une électrocution, un incendie et/ou de graves blessures.

Conservez toutes les consignes de sécurité et instructions.

Sécurité sur le lieu de travail

- ▶ **Conserver la zone de travail propre et bien éclairée.** Un lieu de travail en désordre ou mal éclairé augmente le risque d'accidents.
- ▶ **Ne pas faire fonctionner les outils électriques en atmosphère explosive et où se trouvent des liquides, des gaz ou poussières inflammables.** Les outils électriques produisent des étincelles qui peuvent enflammer les poussières ou les fumées.
- ▶ **Maintenir les enfants et les personnes présentes à l'écart pendant l'utilisation de l'outil électroportatif.** En cas d'inattention il y a risque de perdre le contrôle de l'appareil.

Sécurité relative au système électrique

- ▶ **Éviter les contacts du corps avec des surfaces mises à la terre tels que tuyaux, radiateurs, cuisinières et réfrigérateurs.** Il y a un risque élevé de choc électrique au cas où votre corps serait relié à la terre.
- ▶ **Ne pas exposer les outils électroportatifs à la pluie ou à l'humidité.** La pénétration d'eau à l'intérieur d'un outil électroportatif augmente le risque d'un choc électrique.

Sécurité des personnes

- ▶ **Rester vigilant, surveiller ce que l'on fait. Faire preuve de bon sens en utilisant l'outil électrique. Ne pas utiliser l'outil électrique en étant fatigué ou sous l'emprise de l'alcool, de drogues ou de médicaments.** Un moment d'inattention lors de l'utilisation de l'outil électrique peut entraîner des blessures graves.



- ▶ **Utiliser un équipement de sécurité et toujours porter une protection pour les yeux.** Les équipements de protection personnels tels que masque antipoussière, chaussures de sécurité antidérapantes, casque de protection ou protection acoustique suivant l'utilisation de l'outil électroportatif, réduiront le risque de blessures des personnes.
- ▶ **Éviter une mise en service par mégarde. S'assurer que l'outil électrique est arrêté avant de le brancher à l'accu, de le prendre ou de le porter.** Le fait de porter l'outil électroportatif avec le doigt sur l'interrupteur ou de brancher l'appareil sur la source de courant lorsque l'interrupteur est en position de fonctionnement peut entraîner des accidents.
- ▶ **Retirer tout outil de réglage ou toute clé avant de mettre l'outil électroportatif en fonctionnement.** Une clé ou un outil se trouvant sur une partie en rotation peut causer des blessures.
- ▶ **Adopter une bonne posture. Veiller à toujours garder une position stable et équilibrée.** Cela permet un meilleur contrôle de l'outil électroportatif dans des situations inattendues.
- ▶ **S'habiller de manière adaptée. Ne pas porter de vêtements amples ni de bijoux. Garder les cheveux, les vêtements et les gants à distance des parties en mouvement.** Des vêtements amples, des bijoux ou des cheveux longs peuvent être happés par des parties en mouvement.
- ▶ **Si des dispositifs servant à aspirer ou à recueillir les poussières doivent être utilisés, s'assurer qu'ils sont effectivement raccordés et correctement utilisés.** L'utilisation d'un dispositif d'aspiration de la poussière peut réduire les risques dus aux poussières.

Utilisation et manie ment de l'outil électroportatif

- ▶ **Ne pas forcer l'appareil. Utiliser l'outil électroportatif adapté au travail à effectuer.** Un outil électroportatif approprié réalisera mieux le travail et de manière plus sûre au régime pour lequel il a été conçu.
- ▶ **Ne pas utiliser d'outil électroportatif dont l'interrupteur est défectueux.** Tout outil électroportatif qui ne peut plus être mis en ou hors fonctionnement est dangereux et doit être réparé.
- ▶ **Retirer le bloc-accu, avant d'effectuer des réglages sur l'appareil, de changer les accessoires ou de ranger l'appareil.** Cette mesure de précaution empêche une mise en fonctionnement par mégarde de l'outil électroportatif.
- ▶ **Conserver hors de portée des enfants les outils électroportatifs non utilisés. Ne pas permettre l'utilisation de l'appareil à des personnes qui ne se sont pas familiarisées avec celui-ci ou qui n'ont pas lu ces instructions.** Les outils électroportatifs sont dangereux lorsqu'ils sont entre les mains de personnes non initiées.
- ▶ **Prendre soin des outils électriques. Vérifier que les parties en mouvement fonctionnent correctement et qu'elles ne sont pas coincées, et contrôler si des parties sont cassées ou endommagées de sorte que le bon fonctionnement de l'outil électroportatif s'en trouve entravé. Faire réparer les parties endommagées avant d'utiliser l'appareil.** De nombreux accidents sont dus à des outils électroportatifs mal entretenus.
- ▶ **Garder les outils de coupe affûtés et propres.** Des outils destinés à couper correctement entretenus avec des arêtes de coupe tranchantes sont moins susceptibles de bloquer et sont plus faciles à contrôler.
- ▶ **L'outil électroportatif, les accessoires, les outils amovibles, etc. doivent être utilisés conformément à ces instructions. Tenir également compte des conditions de travail et du travail à réaliser.** L'utilisation des outils électroportatifs à d'autres fins que celles prévues peut entraîner des situations dangereuses.

Utilisation et manie ment de l'outil sur accu

- ▶ **Ne charger les accus que dans des chargeurs recommandés par le fabricant.** Si un chargeur approprié à un type spécifique d'accus est utilisé avec des accus non recommandés pour celui-ci, il y a risque d'incendie.
- ▶ **Dans les outils électroportatifs, utiliser uniquement les accus spécialement prévus pour ceux-ci.** L'utilisation de tout autre accu peut entraîner des blessures et des risques d'incendie.
- ▶ **Tenir l'accu non utilisé à l'écart de tous objets métalliques tels qu'agrafes, pièces de monnaie, clés, clous, vis ou autres, étant donné qu'un pontage peut provoquer un court-circuit.** Un court-circuit entre les contacts d'accu peut provoquer des brûlures ou un incendie.
- ▶ **En cas d'utilisation abusive, du liquide peut sortir de l'accu. Éviter tout contact avec ce liquide.** Le liquide qui sort de l'accu peut entraîner des irritations de la peau ou causer des brûlures. En cas de contact par mégarde, rincer soigneusement avec de l'eau. En cas de contact de fluide avec les yeux, solliciter l'aide d'un personnel médical qualifié.

Service après-vente

- ▶ **L'outil électroportatif doit être réparé uniquement par un personnel qualifié, utilisant exclusivement des pièces de rechange d'origine.** Ceci permet d'assurer la sûreté de l'outil électroportatif.



2.2 Consignes de sécurité pour appareil à enfoncer des fixations

- ▶ **Toujours partir du principe que l'appareil électrique contient des éléments de fixation.** Un maniement insouciant du cloueur peut entraîner un tir inopiné d'élément de fixation et provoquer des blessures.
- ▶ **Ne jamais tirer avec l'appareil électrique vers soi ou toute autre personne se trouvant à proximité.** Un tir déclenché inopinément peut provoquer des blessures.
- ▶ **Ne pas actionner l'appareil électrique avant qu'il ne repose fermement sur la pièce travaillée.** Si l'appareil électrique n'est pas en contact avec la pièce travaillée, l'élément de fixation risque de ricocher du système de fixation.
- ▶ **Débrancher l'appareil électrique du réseau ou de l'accu si l'élément de fixation coince dans l'appareil.** Si le cloueur reste branché, il y a risque d'actionner l'appareil lors du retrait d'un élément de fixation coincé.
- ▶ **Redoubler de prudence pour retirer un élément de fixation coincé.** Le système peut être armé et éjecter puissamment l'élément de fixation, pendant la tentative d'élimination du blocage.
- ▶ **Lors de la fixation de conduites électriques, s'assurer qu'elles ne sont pas sous tension. Ne saisir le cloueur qu'au niveau des surfaces de préhension isolées. N'utiliser que des éléments de fixation compatibles pour l'installation de câbles électriques. Vérifier si l'élément de fixation n'a pas endommagé l'isolation du câble électrique.** Un élément de fixation ayant endommagé l'isolation de câbles électriques peut déclencher un choc électrique ou un incendie.

2.3 Consignes de sécurité

Remarques fondamentales concernant la sécurité

⚠ AVERTISSEMENT ! Lire et comprendre toutes les consignes de sécurité et instructions. Tout manquement à l'observation des consignes de sécurité et instructions risque de provoquer une électrocution, un incendie et/ou de graves blessures.

Les consignes de sécurité et instructions doivent être intégralement conservées pour les utilisations futures.

Exigences vis-à-vis de l'utilisateur

- ▶ Cet appareil doit exclusivement être utilisé ou entretenu par des personnes explicitement autorisées et initiées à cet effet.

Équipement de protection individuelle

- ▶ Pendant l'utilisation, l'utilisateur et les personnes se trouvant à proximité doivent porter des lunettes de protection appropriée (ANSI Z87.1 (CAN/CSA Z94.3)) et un casque de protection.
- ▶ Porter un casque antibruit (ANSI S12.6 (S3.19)).
 - ▶ Un bruit trop intense peut entraîner des lésions auditives.

Sécurité des personnes

- ▶ Bien respecter les consignes concernant l'utilisation, le nettoyage et l'entretien qui figurent dans le présent mode d'emploi.
- ▶ Rester vigilant, surveiller ce qui se fait. Faire preuve de bon sens en utilisant un appareil de montage direct. Ne pas utiliser l'appareil en étant fatigué ou après avoir consommé de l'alcool, des drogues ou avoir pris des médicaments. Interrompre le travail dès l'apparition de douleur ou de malaise. Un moment d'inattention lors de l'utilisation de l'appareil peut entraîner de graves blessures corporelles.
- ▶ Éviter toute mauvaise posture. Veiller à toujours rester stable et à garder l'équilibre.
- ▶ Faire régulièrement des pauses et des exercices de relaxation et de massage des doigts pour favoriser l'irrigation sanguine dans les doigts.
- ▶ Porter des chaussures à semelle antidérapante.
- ▶ Lors de l'utilisation de l'appareil, garder les bras fléchis (ne pas tendre les bras).
- ▶ Lors des travaux, tenir toute tierce personne, notamment les enfants, éloignés du champ d'action.
- ▶ Risque de blessures dues à la chute d'outils et/ou d'accessoires. Avant de commencer à travailler, contrôler si l'accessoire monté est solidement fixé.

Utilisation et emploi soigneux des appareils de montage direct

⚠ AVERTISSEMENT ! Danger dû à un élément de fixation traversant ! Avant d'implanter des éléments de fixation, toujours vérifier que personne ne se trouve derrière ou en dessous de l'élément structurel dans lequel l'élément de fixation va être implanté.

- ▶ Utiliser l'appareil adapté pour le type de travail envisagé. Ne pas utiliser l'appareil à des fins non prévues, mais seulement conformément aux spécifications et dans un excellent état.
- ▶ Ne jamais laisser un appareil chargé sans surveillance.
- ▶ Transporter et stocker l'appareil dans un coffret sécurisé.



- ▶ Toujours éteindre l'appareil avant les travaux de nettoyage, d'entretien et de maintenance, lors du remplacement du canon, en cas d'interruption de travail ainsi que pour le stockage.
- ▶ Tous les appareils non utilisés doivent être rangés déchargés, dans un endroit sec et fermé, qui soit inaccessible aux enfants.
- ▶ Vérifier que l'appareil et l'accessoire ne présentent pas d'éventuels dommages. Vérifier que toutes les pièces mobiles fonctionnent parfaitement et ne coïncent pas, et que les pièces ne sont pas abîmées.
 - ▶ Toutes les pièces doivent être montées correctement et remplir toutes les conditions propres à garantir le parfait fonctionnement de l'appareil. Les pièces endommagées doivent être réparées ou remplacées de manière professionnelle par le S.A.V. **Hilti**, sauf indication contraire dans le mode d'emploi.
- ▶ Avant d'entamer le travail, vérifier, par exemple à l'aide d'un détecteur de métaux, qu'il n'y a pas de câbles ou gaines électriques, tuyaux de gaz ou d'eau cachés dans la zone d'intervention. Toutes pièces métalliques extérieures de l'appareil peuvent devenir conductrices, par exemple, lorsqu'un câble électrique est endommagé par inadvertance.
- ▶ Ne jamais implanter d'éléments de fixation dans un matériau support inapproprié.
 - ▶ Les matériaux inappropriés sont le verre, le marbre, le plastique, le bronze, le laiton, le cuivre, les matériaux isolants, la brique creuse, la brique céramique, les tôles minces (< 4 mm) et le béton cellulaire. L'implantation dans ces types de matériaux peut entraîner la rupture de l'élément ainsi que des projections d'éclats, et le matériau risque d'être transpercé de part en part.
- ▶ Actionner la détente uniquement lorsque l'appareil est appuyé complètement à la verticale contre le matériau récepteur.
- ▶ Toujours tenir le cloueur perpendiculairement au matériau support lors de l'implantation, pour éviter que l'élément de fixation ne dévie du matériau support.
- ▶ Essuyer les poignées afin d'éliminer toutes traces d'humidité, enlever toutes traces de graisse ou d'huile.
- ▶ Ne jamais laisser tomber l'appareil.
- ▶ Ne pas utiliser l'appareil dans des endroits présentant un danger d'incendie ou d'explosion, à moins que ce soit explicitement autorisé.

Place de travail

- ▶ Laisser le lieu d'intervention en ordre. Débarrasser le poste de travail de tous objets susceptibles de blesser.
 - ▶ Un désordre sur le lieu de travail peut provoquer des accidents.
- ▶ Veiller à ce que l'espace de travail soit bien éclairé et suffisamment ventilé.

Consignes de sécurité mécaniques

- ▶ N'effectuer aucune manipulation ni modification sur l'appareil, en particulier sur le piston.
- ▶ Utiliser uniquement des éléments de fixation conçus et homologués pour l'appareil.

Mesures de sécurité thermiques

- ▶ Ne pas dépasser la cadence de tir maximale recommandée (voir chapitre Caractéristiques techniques).
- ▶ En cas de surchauffe de l'appareil, le laisser refroidir.
- ▶ Ne jamais démonter l'appareil quand il est chaud. Le laisser refroidir.

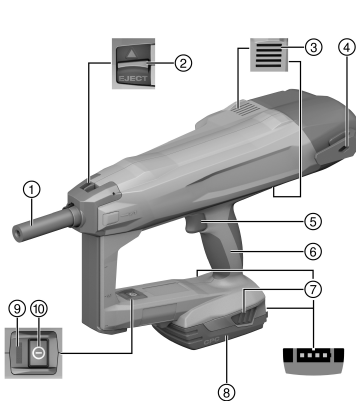
2.4 Utilisation et emploi soigneux des accus

- ▶ Respecter les directives spécifiques relatives au transport, au stockage et à l'utilisation des accus Li-Ion.
- ▶ Ne pas exposer les accus à des températures élevées, ni au rayonnement direct du soleil ni au feu.
- ▶ Les accus ne doivent pas être démontés, écrasés, chauffés à une température supérieure à 80 °C (176 °F) ou jetés au feu.
- ▶ Ne jamais utiliser ni charger d'accus qui ont subi un choc électrique, qui sont tombés de plus d'un mètre ou qui ont été endommagés d'une manière quelconque. Si tel est le cas, il convient de contacter le **S.A.V. Hilti**.
- ▶ Si l'accu est trop chaud pour être touché, il est probablement défectueux. Placer l'accu dans un endroit bien visible, non inflammable et suffisamment éloigné de matériaux inflammables. Laisser l'accu refroidir. Si, après une heure, l'accu est toujours trop chaud pour être saisi, c'est qu'il est défectueux. Contacter le **S.A.V. Hilti**.



3 Description

3.1 Vue d'ensemble du produit 1



- ① Canon
- ② Verrouillage du canon
- ③ Ouïes d'aération
- ④ Patte d'accrochage à la ceinture
- ⑤ Déclencheur
- ⑥ Poignée
- ⑦ Boutons de déverrouillage avec fonction supplémentaire d'activation de l'indicateur de l'état de charge
- ⑧ Accu Li-Ion
- ⑨ Affichage de l'état
- ⑩ Touche Marche/ Arrêt

3.2 Utilisation conforme à l'usage prévu

Le produit est un cloueur sur batterie à guidage manuel. Il est conçu pour l'implantation d'éléments de fixation dans le béton. N'utiliser que des éléments de fixation en liaison avec le canon prévu à cet effet.

ATTENTION

Estimation incorrecte de la résistance du béton L'utilisation d'un canon ou d'un élément de fixation incorrect peut entraîner une mauvaise qualité d'implantation de l'élément de fixation et, par conséquent, une estimation incorrecte de la résistance du béton.

- ▶ Toujours utiliser le canon approprié !
- ▶ Toujours utiliser l'élément de fixation approprié !

Le cloueur, l'accu et les éléments de fixation forment une unité technique. Utiliser les éléments de fixation **Hilti** fabriqués pour l'appareil ainsi que les chargeurs et les accus recommandés par **Hilti**. Les recommandations de **Hilti** concernant les fixations et applications sont uniquement valables dans ces conditions.

- ▶ Le cloueur ne doit être utilisé que tenu à la main.
- ▶ Tout usage inadéquat est à proscrire. Le déclenchement sans qu'un élément ne soit engagé dans le canon est un usage inadéquat.
- Pour ce produit, utiliser exclusivement les accus Li-Ion **Hilti** de la série B 22.
- Pour ces accus, n'utiliser que des chargeurs homologués par **Hilti**. Vous trouverez de plus amples informations dans votre **Hilti Store** ou à l'adresse : www.hilti.group

3.3 Affichage de l'état

L'indicateur d'état renseigne sur les états du cloueur.

État	Signification
Éteint	Le cloueur est arrêté
La LED s'allume en vert.	Le cloueur est mis en marche et prêt pour un tir
La LED clignote toutes les 3 secondes en vert.	Le cloueur est en mode veille, appuyer le nez de l'appareil pour mettre le cloueur en marche
La LED clignote en vert en continu.	Le cloueur est trop chaud ou l'accu est trop faible, voir le Guide de dépannage
La LED clignote en rouge.	Défaillance de l'appareil, voir le Guide de dépannage
La LED s'allume en rouge.	Défaillance de l'appareil, voir le Guide de dépannage



État	Signification
La LED clignote en jaune.	Apporter l'appareil au S.A.V. Hilti .

3.4 Indication du niveau de charge de l'accu

Lorsqu'un bouton de déverrouillage de l'accu est actionné, l'affichage montre l'état de charge de l'accu.

L'indicateur de l'état de charge ne renseigne pas de manière fiable pendant et immédiatement après le tir.

État	Signification
Toutes les quatre LED sont allumées en vert.	L'état de charge est de 75 % à 100 %.
Trois LED sont allumées en vert.	L'état de charge est de 50 % à 75 %.
Deux LED sont allumées en vert.	L'état de charge est de 25 % à 50 %.
Une LED est allumée en vert.	L'état de charge est de 10 % à 25 %.
Une LED clignote en vert.	L'état de charge est inférieur à 10 %.

3.5 Équipement livré

Cloueur BX 3-SCT, mode d'emploi.

D'autres produits système pour votre produit peuvent être trouvés dans votre **Hilti Store** ou à l'adresse : www.hilti.group

4 Caractéristiques techniques

4.1 Cloueur

Poids (accu inclus) B22/2.6	4,0 kg (8,8 lb)
Canon	X-FG B3-SCT 02
Élément de fixation	<ul style="list-style-type: none"> • X-M6-8-52 DP7 SCT B3 • X-M6-8-62 DP7 SCT B3 • X-M6-8-87 DP7 SCT B3
Longueur de l'élément de fixation	52 mm / 62 mm / 87 mm (2,0 in / 2,4 in / 3,4 in)
Diamètre des éléments de fixation	3,5 mm (0,14 in)
Course d'implantation	12 mm (0,5 in)
Pression d'appui	50 N ... 70 N (11 lb _f ... 16 lb _f)
Température de service (température ambiante)	-15 °C ... 50 °C (5 °F ... 122 °F)
Température d'utilisation de l'élément de fixation	-10 °C ... 50 °C (14 °F ... 122 °F)
Cadence de tir maximale recommandée	650/h
Tension de référence	21,6 V



5 Travaux avec échafaudage

5.1 Introduction de l'accu

AVERTISSEMENT

Risque de blessures du fait d'un court-circuit ou de la chute de l'accu !

- ▶ Avant d'insérer l'accu dans l'appareil, s'assurer que les contacts de l'accu et les contacts sur le produit sont exempts de corps étrangers.
- ▶ S'assurer que l'accu s'encliquette toujours correctement.

1. L'accu doit être entièrement chargé avant la première mise en service.
2. Introduire l'accu dans le produit jusqu'à ce qu'il s'enclenche de manière audible.
3. Vérifier que l'accu est bien en place.

5.2 Retrait de l'accu

1. Appuyer sur les boutons de déverrouillage de l'accu.
2. Retirer l'accu hors de l'appareil.

5.3 Recharge de l'accu

1. Avant de commencer la charge, lire le mode d'emploi du chargeur.
2. Veiller à ce que les contacts de l'accu et du chargeur sont propres et secs.
3. Charger l'accu à l'aide d'un chargeur homologué.

5.4 Retrait du canon

1. Arrêter le cloueur.
2. Retirer l'accu.
3. Sortir l'élément de fixation du canon.
4. Pousser le verrouillage du canon dans le sens de la flèche jusqu'en butée.
 - ▶ Le canon est libéré.
5. Sortir le canon.

5.5 Mise en place du canon

1. Arrêter le cloueur.
2. Retirer l'accu.
3. Pousser le verrouillage du canon dans le sens de la flèche jusqu'en butée et le maintenir dans cette position.
4. Pousser le canon dans le nez de l'appareil jusqu'à ce qu'il s'enclenche de manière audible.
5. Relâcher le verrouillage du canon.
 - ▶ Le verrouillage du canon saute en position médiane.
6. Vérifier en tirant sur le canon qu'il est bien en place.

5.6 Sécurité anti-chute

AVERTISSEMENT

Risque de blessures en cas de chute de l'outil et/ou des accessoires !

- ▶ Utiliser uniquement la longue porte-outil **Hilti** recommandée pour votre produit.
- ▶ Contrôler l'état du point de fixation de la longue porte-outil avant chaque utilisation.
- ▶ Ne fixer aucune longue porte-outil au mousqueton de ceinture. Ne pas utiliser un mousqueton de ceinture pour soulever le produit.



Respecter les directives nationales en vigueur pour les travaux en hauteur.

Comme protection anti-chute pour ce produit, utiliser exclusivement la longue porte-outil **Hilti** #2261971.

- ▶ Fixer la longue porte-outil au produit avec la boucle, comme illustré. Vérifier qu'elle tient bien.



- ▶ Fixer le mousqueton à une structure porteuse. Vérifier que le mousqueton tient bien.



Respecter le mode d'emploi de la longe porte-outil Hilti.

6 Utilisation

6.1 Mise en marche du cloueur



AVERTISSEMENT

Risque de blessures ! Si le cloueur est appuyé contre une partie du corps, il y a un risque de blessures graves en cas de déclenchement d'un tir par mégarde.

- ▶ **Ne jamais appuyer le cloueur contre la main ou toute autre partie du corps.**



AVERTISSEMENT

Risque de blessures ! L'appareil peut se déclencher lors du retrait du canon à la main. Ceci peut également entraîner un tir sur les parties du corps.

- ▶ **Ne jamais retirer le canon à la main.**

- ▶ Appuyer sur le bouton Marche / Arrêt.
 - ▶ L'élément ressort se tend de manière audible et l'indicateur d'état s'allume en vert.



À basse température, la capacité de l'accu chute.

Lorsque la puissance de l'accu est faible, l'élément ressort se tend plus lentement que lorsque l'accu est complètement chargé.

En cas de fonctionnement avec une puissance d'accu faible, le cloueur s'arrête pour éviter que les piles d'accu ne soient endommagées.

6.2 Mise à l'arrêt du cloueur

- ▶ Appuyer sur le bouton Marche / Arrêt.
 - ▶ L'élément ressort se détend de manière audible et l'indicateur d'état s'éteint.

6.3 Déclenchement d'un tir



AVERTISSEMENT

Risque de blessure dû à une manipulation incorrecte et/ou des éclats de matière !

- ▶ **Risque d'implantation d'un clou dans la main !** Toujours utiliser le produit avec les deux mains ! Toujours tenir le produit fermement de l'autre main, comme illustré.
- ▶ **Ne jamais appuyer le cloueur contre la main ou toute autre partie du corps !** Cela peut entraîner de graves blessures dues au déclenchement inopiné d'un tir.
- ▶ **Utiliser un équipement de sécurité personnel et toujours porter des lunettes de protection et des gants de protection.** Les autres personnes se trouvant à proximité doivent également porter des lunettes de protection et un casque de protection. Pendant l'opération d'implantation, risque de blessures corporelles et oculaires dues à des éclats de matériaux ou à des corps étrangers situés dans la zone du canon.
- ▶ Ne jamais tenter de remédier soi-même à des défaillances de l'appareil en déclenchant d'autres tirs !



ATTENTION

Risque de blessures et d'endommagement du cloueur !

- ▶ **Ne jamais refixer l'élément de fixation par un deuxième tir !** Cela peut entraîner des ruptures et un blocage de l'élément.
- ▶ N'utiliser pour cet appareil que des accessoires d'origine de la société **Hilti**. L'utilisation d'un matériau et d'accessoires inappropriés risque de causer des blessures et d'endommager le cloueur.

1. Mettre en marche le cloueur. → Page 20
2. Implanter l'élément de fixation.
3. Placer le cloueur perpendiculairement au matériau support et appuyer le canon jusqu'en butée.



4. Déclencher le tir en appuyant sur le déclencheur.

Après chaque implantation, utiliser le calibre de contrôle pour vérifier la profondeur de réglage correcte du goujon.

5. Une fois l'implantation terminée, relever complètement le cloueur du matériau support.

• Si le canon est appuyé pendant plus de 6 secondes sur un matériau support, sans qu'un tir ne soit déclenché, le cloueur s'arrête automatiquement. Appuyer sur le bouton Marche / Arrêt pour remettre le cloueur en marche.

Ne jamais refixer l'élément de fixation par un deuxième tir !

- Si le cloueur n'est pas utilisé pendant 6 minutes, il s'arrête automatiquement.

7 Nettoyage et entretien

7.1 Nettoyage et entretien

AVERTISSEMENT

Risque de blessures lorsque l'accu est inséré !

- ▶ Toujours retirer l'accu avant tous travaux de nettoyage et d'entretien !

Entretien de l'appareil

- Arrêter le cloueur.
- Retirer l'accu.
- Sortir l'élément de fixation du canon.
- Éliminer prudemment les saletés récalcitrantes.
- Nettoyer les ouïes d'aération avec précaution au moyen d'une brosse sèche.
- Nettoyer le boîtier uniquement avec un chiffon légèrement humidifié. Ne pas utiliser de nettoyeurs à base de silicone, ceci pourrait attaquer les pièces en plastique.

Entretien des accus Li-ion

- Veiller à ce que l'accu soit toujours propre et exempt de traces de graisse et d'huile.
- Nettoyer le boîtier uniquement avec un chiffon légèrement humidifié. Ne pas utiliser de nettoyeurs à base de silicone, ceci pourrait attaquer les pièces en plastique.
- Éviter toute pénétration d'humidité.

Entretien

- Vérifier régulièrement qu'aucune pièce visible n'est endommagée et que les organes de commande sont parfaitement opérationnels.
- En cas d'endommagements et/ou de dysfonctionnements, ne pas utiliser le produit. Le faire immédiatement réparer par le S.A.V. **Hilti**.
- Après des travaux de nettoyage et d'entretien, vérifier si tous les équipements de protection sont bien en place et fonctionnent parfaitement.

Pour une utilisation en toute sécurité, utiliser uniquement des pièces de rechange et consommables d'origine. Vous trouverez les pièces de rechange, consommables et accessoires autorisés convenant pour votre produit dans le centre **Hilti Store** ou sous : www.hilti.group.

8 Transport et stockage des appareils sur accu

Transport

- ▶ Arrêter le cloueur.

ATTENTION

Mise en marche inopinée lors du transport !

- ▶ Toujours retirer les accus avant de transporter les produits !
- ▶ Retirer l'accu.
- ▶ Sortir l'élément de fixation du canon.
- ▶ Ne jamais transporter les accus en vrac.
- ▶ Avant toute utilisation consécutive à un transport prolongé de l'appareil et des accus, toujours vérifier qu'ils ne sont pas endommagés.



Stockage

AVERTISSEMENT

Endommagement involontaire du fait d'accus défectueux ou de chute d'accu !

- ▶ Toujours retirer les accus avant de stocker les produits !
-
- ▶ Stocker l'appareil et les accus si possible au frais et au sec.
 - ▶ Ne jamais stocker les accus dans un endroit exposé au soleil, à proximité de sources de chaleur ou derrière des vitres.
 - ▶ Stocker l'appareil et les accus hors de portée des enfants et des personnes non autorisées.
 - ▶ Avant toute utilisation consécutive à un stockage prolongé de l'appareil et des accus, toujours vérifier qu'ils ne sont pas endommagés.

9 Aide au dépannage

En cas de défaillances non énumérées dans ce tableau ou auxquelles il n'est pas possible de remédier sans aide, contacter le S.A.V. Hilti.

Défaillance	Causes possibles	Solution
L'élément ressort n'est pas tendu aucune indication d'état.	Accu vide.	▶ Remplacer l'accu.
	L'accu n'est pas bien en place.	▶ Mettre l'accu en place. → Page 19
L'élément ressort n'est pas tendu, l'indicateur d'état clignote en vert et 1 LED indicatrice de l'état de charge clignote.	Accu vide.	▶ Remplacer l'accu.
	Température de l'accu trop basse.	▶ Laisser l'accu se réchauffer lentement à la température ambiante.
L'élément ressort n'est pas retendu, l'indicateur d'état clignote en vert et les 4 DELS indicatrices de l'état de charge clignent.	Température trop élevée dans le cloueur.	▶ Laisser refroidir le cloueur.
L'élément ressort n'est pas tendu et l'indicateur d'état clignote en rouge.	Le canon n'est pas bien en place.	▶ Mettre le canon en place.
L'élément ressort n'est pas tendu et l'indicateur d'état est allumé en rouge.	Défaut de l'appareil	▶ Retirer l'accu. → Page 19
		▶ Mettre l'accu en place. → Page 19
Élément inséré en biais.	Appareil appuyé trop fortement à l'aide de la poignée.	▶ Appuyer l'appareil sur le matériau support en exerçant une légère pression.
	Appareil appuyé en dehors de l'axe d'implantation.	▶ Appuyer l'appareil perpendiculairement ou via la surface de préhension de la face arrière de l'appareil.

10 Recyclage

AVERTISSEMENT

Risque de blessures en cas d'élimination incorrecte ! Émanations possibles de gaz et de liquides nocives pour la santé.

- ▶ Ne pas envoyer ni expédier d'accus endommagés !
- ▶ Recouvrir les raccords avec un matériau non conducteur pour éviter tout court-circuit.
- ▶ Éliminer les accus en veillant à ce qu'ils soient hors de la portée des enfants.
- ▶ Éliminer l'accu en le déposant auprès du **Hilti Store** local ou s'adresser à l'entreprise de collecte des déchets compétente.



Les produits **Hilti** sont fabriqués pour une grande partie en matériaux recyclables. Le recyclage présuppose un tri adéquat des matériaux. **Hilti** reprend les appareils usagés dans de nombreux pays en vue de leur recyclage. Consulter le service clients **Hilti** ou un conseiller commercial.



- ▶ Ne pas jeter les appareils électriques, électroniques et accus dans les ordures ménagères !

11 Garantie constructeur

- ▶ En cas de questions sur les conditions de garantie, veuillez vous adresser à votre partenaire **Hilti** local.

12 Informations complémentaires

Des informations complémentaires concernant l'utilisation, la technique, l'environnement et le recyclage sont disponibles sous le lien ci-dessous : qr.hilti.com/manual/?id=2338837

Ce lien figure également à la fin de la documentation sous forme de code QR.

13 Déclaration FCC (valable aux États-Unis) / IC-Déclaration IC (valable au Canada)

Le produit est en conformité avec le paragraphe 15 des directives FCC et RSS-210 de l'IC.

La mise en service est soumise aux deux conditions suivantes :

- Cet appareil ne devrait pas générer de rayonnements nuisibles.
- L'appareil doit absorber toutes sortes de rayonnements, y compris les rayonnements entraînant des opérations indésirables.



Toute modification ou tout changement subi(e) par l'appareil et non expressément approuvé(e) par **Hilti** peut limiter le droit de l'utilisateur à se servir de l'appareil.

Manual de instrucciones original

1 Información sobre el manual de instrucciones

1.1 Acerca de este manual de instrucciones

- Lea detenidamente este manual de instrucciones antes de la puesta en servicio. Ello es imprescindible para un trabajo seguro y un manejo sin problemas.
- Observe las indicaciones y advertencias de seguridad en este manual de instrucciones y en el producto.
- Conserve este manual de instrucciones siempre junto con el producto y entregue el producto a otras personas siempre acompañado de este manual de instrucciones.

1.2 Explicación de símbolos

1.2.1 Avisos

Las advertencias de seguridad advierten de peligros derivados del manejo del producto. Se utilizan las siguientes palabras de peligro:

PELIGRO

PELIGRO !

- ▶ Término utilizado para un peligro inminente que puede ocasionar lesiones graves o incluso la muerte.

ADVERTENCIA

ADVERTENCIA !

- ▶ Término utilizado para un posible peligro que puede ocasionar lesiones graves o incluso la muerte.

PRECAUCIÓN

PRECAUCIÓN !

- ▶ Término utilizado para una posible situación peligrosa que puede ocasionar lesiones o daños materiales.



1.2.2 Símbolos en la documentación

En esta documentación se utilizan los siguientes símbolos:

	Leer el manual de instrucciones antes del uso
	Indicaciones de uso y demás información de interés
	Manejo con materiales reutilizables
	No tirar las herramientas eléctricas y las baterías junto con los desperdicios domésticos

1.2.3 Símbolos en las figuras

En las figuras se utilizan los siguientes símbolos:

	Estos números hacen referencia a la figura correspondiente incluida al principio de este manual
	La numeración describe el orden de los pasos de trabajo en la imagen y puede ser diferente de los pasos descritos en el texto
	Los números de posición se utilizan en la figura Vista general y los números de la leyenda están explicados en el apartado Vista general del producto
	Preste especial atención a este símbolo cuando utilice el producto.

1.3 Símbolos en función del producto

1.3.1 Símbolos en el producto

En el producto se pueden utilizar los siguientes símbolos:

	Señales prescriptivas generales
	Utilizar protección para los ojos
	Utilizar protección para los oídos
	Utilizar casco de protección
	Corriente continua
	La herramienta admite la tecnología NFC, compatible con plataformas iOS y Android.
	Serie utilizada de baterías de Ion-Litio HilTI . Consulte las indicaciones recogidas en el capítulo Uso conforme a las prescripciones .
	Nunca utilice la batería como herramienta de percusión.
	No deje que la batería se caiga. No utilice baterías que hayan recibido algún golpe ni que estén dañadas de alguna otra forma.
	Si está en el producto, significa que el organismo de certificación lo ha certificado para el mercado estadounidense y canadiense según las normas vigentes.

1.4 Información del producto

Los productos han sido diseñados para usuarios profesionales y solo personal autorizado y debidamente formado puede utilizarlos y llevar a cabo su mantenimiento y conservación. Este personal debe estar especialmente instruido en lo referente a los riesgos de uso. La utilización del producto y sus dispositivos auxiliares puede conllevar riesgos para el usuario en caso de manejarse de forma inadecuada por personal no cualificado o utilizarse para usos diferentes a los que están destinados.

La denominación del modelo y el número de serie están indicados en la placa de identificación.



- ▶ Escriba el número de serie en la siguiente tabla. Necesitará los datos del producto para realizar consultas a nuestros representantes o al Departamento de Servicio Técnico.

Datos del producto

Modelo:	BX 3-SCT
Generación:	02
Número de serie:	

2 Seguridad

2.1 Indicaciones generales de seguridad para herramientas eléctricas

⚠ ¡ADVERTENCIA! Lea con atención todas las instrucciones e indicaciones de seguridad. Si no se tienen en cuenta las instrucciones e indicaciones de seguridad, podrían producirse descargas eléctricas, incendios o lesiones graves.

Conserve todas las instrucciones e indicaciones de seguridad para futuras consultas.

Seguridad en el puesto de trabajo

- ▶ **Mantenga su área de trabajo limpia y bien iluminada.** El desorden o una iluminación deficiente de las zonas de trabajo pueden provocar accidentes.
- ▶ **No utilice la herramienta eléctrica en un entorno con peligro de explosión en el que se encuentren combustibles líquidos, gases o material en polvo.** Las herramientas eléctricas producen chispas que pueden llegar a inflamar los materiales en polvo o vapores.
- ▶ **Mantenga alejados a los niños y otras personas de su puesto de trabajo al emplear la herramienta eléctrica.** Una distracción le puede hacer perder el control sobre la herramienta.

Seguridad eléctrica

- ▶ **Evite el contacto corporal con superficies que tengan puesta a tierra, como tubos, calefacciones, cocinas y frigoríficos.** El riesgo a quedar expuesto a una sacudida eléctrica es mayor si su cuerpo tiene contacto con tierra.
- ▶ **No exponga las herramientas eléctricas a la lluvia y evite que penetren líquidos en su interior.** El riesgo de recibir descargas eléctricas aumenta si penetra agua en la herramienta eléctrica.

Seguridad de las personas

- ▶ **Permanezca atento, preste atención durante el trabajo y utilice la herramienta eléctrica con prudencia. No utilice una herramienta eléctrica si está cansado, ni tampoco después de haber consumido alcohol, drogas o medicamentos.** Un momento de descuido al utilizar la herramienta eléctrica podría producir graves lesiones.
- ▶ **Utilice el equipo de seguridad personal adecuado y lleve siempre gafas protectoras.** El riesgo de lesiones se reduce considerablemente si, según el tipo y la aplicación de la herramienta eléctrica empleada, se utiliza un equipo de seguridad personal adecuado como una mascarilla antipolvo, calzado de seguridad con suela antideslizante, casco de protección o protección para los oídos.
- ▶ **Evite una puesta en servicio fortuita de la herramienta. Asegúrese de que la herramienta eléctrica está apagada antes de alzarla, transportarla o conectarla a la batería.** Si transporta la herramienta eléctrica sujetándola por el interruptor de conexión/desconexión o si introduce el enchufe en la toma de corriente con la herramienta conectada, podría producirse un accidente.
- ▶ **Retire las herramientas de ajuste o llaves fijas antes de conectar la herramienta eléctrica.** Una herramienta o llave colocada en una pieza giratoria puede producir lesiones al ponerse en funcionamiento.
- ▶ **Evite adoptar posturas forzadas. Procure que la postura sea estable y manténgase siempre en equilibrio.** De esta forma podrá controlar mejor la herramienta eléctrica en caso de presentarse una situación inesperada.
- ▶ **Utilice ropa adecuada. No utilice vestimenta amplia ni joyas. Mantenga su pelo, vestimenta y guantes alejados de las piezas móviles.** La vestimenta suelta, las joyas y el pelo largo se pueden enganchar con las piezas en movimiento.
- ▶ **Siempre que sea posible utilizar equipos de aspiración o captación de polvo, asegúrese de que están conectados y de que se utilizan correctamente.** El uso de un sistema de aspiración reduce los riesgos derivados del polvo.

Uso y manejo de la herramienta eléctrica

- ▶ **No sobrecargue la herramienta. Utilice la herramienta eléctrica adecuada para el trabajo que se dispone a realizar.** Con la herramienta eléctrica apropiada podrá trabajar mejor y de modo más seguro dentro del margen de potencia indicado.
- ▶ **No utilice herramientas eléctricas con el interruptor defectuoso.** Las herramientas eléctricas que no se puedan conectar o desconectar son peligrosas y deben repararse.



- ▶ **Retire la batería antes de efectuar cualquier ajuste en la herramienta, cambiar accesorios o en caso de no utilizar la herramienta durante un tiempo prolongado.** Esta medida preventiva evita el riesgo de conexión accidental de la herramienta eléctrica.
- ▶ **Guarde las herramientas eléctricas que no utilice fuera del alcance de los niños. No permita utilizar la herramienta a ninguna persona que no esté familiarizada con ella o no haya leído este manual de instrucciones.** Las herramientas eléctricas utilizadas por personas inexpertas son peligrosas.
- ▶ **Cuide su herramienta eléctrica de forma meticulosa. Compruebe si las piezas móviles de la herramienta funcionan correctamente y sin atascarse, y si existen piezas rotas o deterioradas que pudieran afectar al funcionamiento de la herramienta eléctrica. Encargue la reparación de las piezas defectuosas antes de usar la herramienta eléctrica.** Muchos accidentes son consecuencia de un mantenimiento inadecuado de la herramienta eléctrica.
- ▶ **Mantenga los útiles limpios y afilados.** Las herramientas de corte bien cuidadas y con aristas afiladas se atascan menos y se guían con más facilidad.
- ▶ **Utilice la herramienta eléctrica, los accesorios, útiles de inserción, etc., de acuerdo con estas instrucciones. Para ello, tenga en cuenta las condiciones de trabajo y la tarea que se va a realizar.** El uso de herramientas eléctricas para trabajos diferentes de aquellos para los que han sido concebidas puede resultar peligroso.

Uso y manejo de la herramienta de batería

- ▶ **Cargue las baterías únicamente con los cargadores recomendados por el fabricante.** Existe riesgo de incendio al intentar cargar baterías de un tipo diferente al previsto para el cargador.
- ▶ **Utilice únicamente las baterías previstas para la herramienta eléctrica.** El uso de otro tipo de baterías puede provocar daños e incluso incendios.
- ▶ **Si no utiliza la batería, guárdela separada de clips, monedas, llaves, clavos, tornillos y demás objetos metálicos que pudieran puentear sus contactos.** El cortocircuito de los contactos de la batería puede causar quemaduras o incendios.
- ▶ **La utilización inadecuada de la batería puede provocar fugas de líquido. Evite el contacto con este líquido.** El líquido de la batería puede irritar la piel o producir quemaduras. En caso de contacto accidental, enjuague el área afectada con abundante agua. En caso de contacto con los ojos, acuda además inmediatamente a un médico.

Servicio Técnico

- ▶ **Solicite que un profesional lleve a cabo la reparación de su herramienta eléctrica y que utilice exclusivamente piezas de repuesto originales.** Solamente así se garantiza la seguridad de la herramienta eléctrica.

2.2 Indicaciones de seguridad para clavadoras

- ▶ **Parta siempre de la base de que la herramienta eléctrica contiene grapas.** Un manejo imprudente de la clavadora puede provocar un disparo inesperado de grapas y causar lesiones.
- ▶ **No oriente nunca la herramienta eléctrica hacia sí mismo ni hacia otras personas que se encuentren en las inmediaciones.** Debido a un disparo inesperado puede desprenderse una grapa y provocar lesiones.
- ▶ **No accione la herramienta eléctrica hasta que se haya colocado con firmeza sobre la pieza de trabajo.** Si la herramienta eléctrica no está en contacto con la pieza de trabajo, las grapas pueden rebotar desde el punto de fijación.
- ▶ **Desconecte la herramienta de la red eléctrica o desconecte la batería en el caso de que una grapa se atasque en el interior de la herramienta eléctrica.** Si la clavadora está conectada a la red eléctrica, puede activarse por error al extraer una grapa firmemente enclavada.
- ▶ **Proceda con cuidado al extraer una grapa que esté firmemente enclavada.** El sistema puede estar sometido a tensión y la grapa podría salir disparada con fuerza mientras usted intenta desatascar la herramienta.
- ▶ **Al fijar conductores eléctricos, asegúrese de que no estén bajo tensión. Sujete la clavadora únicamente por las empuñaduras aisladas. Utilice exclusivamente grapas apropiadas para la instalación de conductores eléctricos. Compruebe que la grapa no haya dañado el recubrimiento aislante del conductor eléctrico.** Si una grapa daña el recubrimiento aislante del conductor eléctrico, existe riesgo de descarga eléctrica e incendio.



2.3 Indicaciones de seguridad

Observaciones básicas de seguridad

⚠ ¡ADVERTENCIA! Lea con atención todas las instrucciones e indicaciones de seguridad. Si no se tienen en cuenta las instrucciones e indicaciones de seguridad, podrían producirse descargas eléctricas, incendios o lesiones graves.

Conservar todas las instrucciones e indicaciones de seguridad para futuras consultas.

Requisitos para el usuario

- ▶ Solo puede utilizar o reparar esta herramienta si está autorizado y posee la formación necesaria para tal fin.

Equipo de seguridad personal

- ▶ El operario y las personas que se encuentren en las inmediaciones de la zona de uso de la herramienta deben llevar gafas protectoras (ANSI Z87.1 (CAN/CSA Z94.3)) y un casco de protección apropiados.
- ▶ Utilice protección para los oídos (ANSI S12.6 (S3.19)).
 - ▶ Un ruido demasiado potente puede dañar los oídos.

Seguridad de las personas

- ▶ Observe las indicaciones sobre el funcionamiento, cuidado y mantenimiento incluidas en el manual de instrucciones.
- ▶ Permanezca atento, preste atención durante el trabajo y utilice la herramienta de montaje directo con prudencia. No utilice la herramienta eléctrica si está cansado, ni tampoco después de haber consumido alcohol, drogas o medicamentos. Interrumpa inmediatamente el trabajo si siente dolor o cualquier otra molestia. Un momento de descuido al utilizar la herramienta podría producir graves lesiones.
- ▶ Evite adoptar malas posturas. Procure que la postura sea estable y manténgase siempre en equilibrio.
- ▶ Haga pausas durante el trabajo, así como ejercicios de relajación y estiramiento de los dedos para mejorar la circulación.
- ▶ Utilice calzado antideslizante.
- ▶ Mantenga siempre los brazos ligeramente doblados (nunca estirados) al accionar la herramienta.
- ▶ Mientras se está trabajando, mantenga alejadas del radio de acción de la herramienta a otras personas, especialmente a los niños.
- ▶ - Riesgo de lesiones en caso de caída de herramientas o accesorios. Antes de iniciar el trabajo, compruebe que los accesorios montados estén bien fijados.

Manipulación y utilización segura de las herramientas de montaje directo

⚠ ¡ADVERTENCIA! Peligro de que el elemento de fijación atraviese el componente. Antes de colocar los elementos de fijación, asegúrese de que nadie se encuentra detrás o debajo del componente en el que se ha colocado el elemento de fijación.

- ▶ Utilice la herramienta adecuada para su trabajo. No utilice la herramienta para fines no previstos, sino únicamente de forma reglamentaria y en perfecto estado.
- ▶ Vigile la herramienta cargada en todo momento.
- ▶ Transporte y almacene la herramienta en un maletín seguro.
- ▶ Apague siempre la herramienta antes de efectuar trabajos de limpieza, reparación o mantenimiento, al cambiar el guía clavos, antes de interrumpir el trabajo y antes de guardar la herramienta.
- ▶ Guarde las herramientas que no se utilicen descargadas, en un lugar seco y cerrado donde los niños no puedan acceder.
- ▶ Compruebe que la herramienta y los accesorios no presentan daños. Compruebe que los componentes móviles funcionen correctamente y no estén atascados, y que las piezas no estén dañadas.
 - ▶ Para garantizar un correcto funcionamiento de la herramienta, todos los componentes deben estar correctamente montados y cumplir todas las condiciones necesarias. Las piezas dañadas deben repararse o sustituirse de forma pertinente por el Servicio Técnico de **Hilti** si no se especifica lo contrario en el manual de instrucciones.
- ▶ Compruebe antes de empezar a trabajar si la zona de trabajo oculta cables eléctricos, tuberías de gas o cañerías de agua, por ejemplo, con un detector de metales. Las partes metálicas exteriores de la herramienta pueden pasar a conducir electricidad si, por ejemplo, se ha dañado por error un cable eléctrico.
- ▶ No coloque elementos de fijación en una superficie de trabajo inapropiada.
 - ▶ Se consideran materiales inadecuados el vidrio, el mármol, el plástico, el bronce, el latón, el cobre, los materiales aislantes, el ladrillo hueco, el ladrillo cerámico, la chapa fina (<4 mm) y el hormigón poroso. El uso de estos materiales puede provocar la rotura o astillamiento del elemento de fijación, o una inserción incorrecta del mismo.



- ▶ Accione el gatillo solo cuando la herramienta se encuentre en posición totalmente perpendicular a la superficie de trabajo.
- ▶ Sujete la fijadora durante la fijación siempre en ángulo recto respecto a la superficie de trabajo; de esta forma se evita la desviación del elemento de fijación respecto a la superficie de trabajo.
- ▶ Mantenga las empuñaduras secas, limpias y sin residuos de aceite o grasa.
- ▶ No permita que la herramienta se caiga.
- ▶ No utilice la herramienta en aquellos lugares donde exista peligro de incendio o explosión, a menos que esté especialmente homologada para ello.

Lugar de trabajo

- ▶ Mantenga el lugar de trabajo ordenado. Mantenga el entorno de trabajo despejado de objetos que puedan ocasionarle lesiones.
 - ▶ El desorden en la zona de trabajo puede causar accidentes.
- ▶ Procure que haya una buena iluminación y ventilación en la zona de trabajo.

Medidas de seguridad mecánicas

- ▶ No manipule ni realice modificaciones en la herramienta, especialmente en los pistones.
- ▶ Utilice exclusivamente elementos de fijación homologados para la herramienta.

Medidas de seguridad térmicas

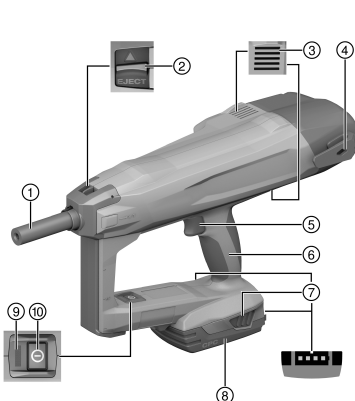
- ▶ No sobrepase la frecuencia de fijación máxima recomendada (ver capítulo de Datos técnicos).
- ▶ En caso de producirse un sobrecalentamiento, deje que la herramienta se enfríe.
- ▶ No desmonte la herramienta si está caliente. Deje que la herramienta se enfríe.

2.4 Manipulación y utilización segura de las baterías

- ▶ Tenga en cuenta las directivas especiales en materia de transporte, almacenamiento y manejo de las baterías de Ion-Litio.
- ▶ Mantenga las baterías alejadas de altas temperaturas, radiación solar directa y fuego.
- ▶ Las baterías no se deben destruir, comprimir, calentar por encima de 80 °C (176 °F) o quemar.
- ▶ No utilice ni cargue baterías que hayan recibido algún golpe, que hayan caído desde una altura superior a un metro o que estén dañadas de alguna otra forma. En este caso, póngase siempre en contacto con el **Hilti Servicio Técnico**.
- ▶ Si al tocar la batería detecta que está muy caliente, puede deberse a una avería en la misma. Coloque la batería en un lugar visible, no inflamable, a suficiente distancia de otros materiales inflamables. Deje que la batería se enfríe. Si, después de una hora, la herramienta sigue estando demasiado caliente para tocarla significa que está averiada. Póngase en contacto con el **Servicio Técnico de Hilti**.

3 Descripción

3.1 Vista general del producto



- ① Guía clavos
- ② Bloqueo del guía clavos
- ③ Rejillas de ventilación
- ④ Colgador de cinturón
- ⑤ Disparador
- ⑥ Empuñadura
- ⑦ Teclas de desbloqueo con función adicional de activación del indicador del estado de carga
- ⑧ Batería de Ion-Litio
- ⑨ Indicador de estado
- ⑩ Tecla de encendido/apagado



3.2 Uso conforme a las prescripciones

El producto es una fijadora con alimentación por batería de guiado manual. Está diseñada para la colocación de elementos de fijación en hormigón. Utilice únicamente elementos de fijación autorizados junto con el guía clavos adecuado.

PRECAUCIÓN

Estimación incorrecta de la resistencia del hormigón El uso de un guía clavos o un elemento de fijación incorrecto puede provocar una mala calidad de fijación del elemento de fijación y, en consecuencia, una estimación incorrecta de la resistencia del hormigón.

- ▶ Utilice siempre el guía clavos adecuado.
- ▶ Utilice siempre el elemento de fijación adecuado.

La fijadora, la batería y los elementos de fijación forman una unidad técnica. Utilice únicamente elementos de fijación **Hilti** diseñados específicamente para esta herramienta y los cargadores y baterías recomendados por **Hilti**. Las recomendaciones de utilización y fijación de **Hilti** son válidas exclusivamente si se cumplen estas condiciones.

- ▶ La fijadora solo está indicada para una utilización manual.
- ▶ No se excluye el riesgo de fallos en la aplicación. Se considera mal uso un disparo tras el que el elemento no queda introducido en el guía clavos.
- Para este producto utilice únicamente las baterías Ion-Litio de **Hilti** de la serie B 22.
- Para estas baterías utilice exclusivamente los cargadores suministrados por **Hilti**. Encontrará más información en la **Hilti Store** o en www.hilti.group

3.3 Indicador de estado

El indicador de estado proporciona información sobre los estados de la fijadora.

Estado	Significado
Apagado	La fijadora está desconectada
El LED está encendido en verde.	La fijadora está conectada y lista para funcionar
El LED parpadea en verde cada 3 segundos.	La fijadora está en modo standby; presionar la punta de la herramienta para activar la fijadora
El LED parpadea en verde de manera continua.	La fijadora está muy caliente o la batería está baja; véase la tabla de anomalías
El LED parpadea en rojo.	Avería en la herramienta; véase la tabla de anomalías
El LED está encendido en rojo.	Avería en la herramienta; véase la tabla de anomalías
El LED parpadea en amarillo.	Lleve la herramienta al Servicio Técnico de Hilti .

3.4 Indicador del estado de carga de la batería

Al accionar una tecla de desbloqueo de la batería, en la pantalla se muestra el estado de carga de la batería.



Durante e inmediatamente después del proceso de fijación no es fiable consultar el estado de carga.

Estado	Significado
Los cuatro LED están encendidos en verde.	El estado de carga se encuentra entre el 75 % y el 100 %.
Tres LED están encendidos en verde.	El estado de carga se encuentra entre el 50 % y el 75 %.
Dos LED están encendidos en verde.	El estado de carga se encuentra entre el 25 % y el 50 %.
Un LED está encendido en verde.	El estado de carga se encuentra entre el 10 % y el 25 %.
Un LED parpadea en verde.	El estado de carga se encuentra por debajo del 10 %.



3.5 Suministro

Fijadora BX 3-SCT, manual de instrucciones.

Encontrará otros productos del sistema autorizados para su producto en su **Hilti Store** o en Internet, en: www.hilti.group

4 Datos técnicos

4.1 Fijadora

Peso (incluida batería) B22/2.6	4,0 kg (8,8 lb)
Guía clavos	X-FG B3-SCT 02
Elemento de fijación	<ul style="list-style-type: none"> • X-M6-8-52 DP7 SCT B3 • X-M6-8-62 DP7 SCT B3 • X-M6-8-87 DP7 SCT B3
Longitud del elemento de fijación	52 mm / 62 mm / 87 mm (2,0 in / 2,4 in / 3,4 in)
Diámetro de los elementos de fijación	3,5 mm (0,14 in)
Recorrido de presión	12 mm (0,5 in)
Fuerza de apriete	50 N ... 70 N (11 lb, ... 16 lb)
Temperatura de uso (temperatura ambiente)	-15 °C ... 50 °C (5 °F ... 122 °F)
Temperatura de uso del elemento de fijación	-10 °C ... 50 °C (14 °F ... 122 °F)
Frecuencia de fijación máxima recomendada	650/h
Tensión nominal	21,6 V

5 Trabajos de equipamiento

5.1 Colocación de la batería



ADVERTENCIA

Riesgo de lesiones por cortocircuito o caída de la batería.

- ▶ Antes de insertar la batería, asegúrese de que los contactos de la batería y del producto estén libres de cuerpos extraños.
- ▶ Asegúrese de que la batería encaje siempre correctamente.

1. Cargue por completo la batería antes de la primera puesta en servicio.
2. Introduzca la batería en el producto hasta que encaje de forma audible.
3. Compruebe que la batería está bien colocada.

5.2 Extracción de la batería

1. Pulse las teclas de desbloqueo de la batería.
2. Extraiga la batería de la herramienta.

5.3 Carga de la batería

1. Antes de cargarla, lea el manual de instrucciones del cargador.
2. Asegúrese de que los contactos de la batería y del cargador estén limpios y secos.
3. Cargue la batería en un cargador autorizado.



5.4 Extracción del guía clavos

1. Apague la fijadora.
2. Extraiga la batería.
3. Extraiga el elemento de fijación del guía clavos.
4. Deslice el bloqueo del guía clavos en la dirección que indica la flecha hasta el tope.
 - ▶ El guía clavos habrá quedado suelto.
5. Extraiga el guía clavos.

5.5 Colocación del guía clavos

1. Apague la fijadora.
2. Extraiga la batería.
3. Deslice el bloqueo del guía clavos en la dirección que indica la flecha hasta el tope y manténgalo en esa posición.
4. Deslice el guía clavos en la punta de la herramienta hasta que encaje de forma audible.
5. Suelte el bloqueo del guía clavos.
 - ▶ El bloqueo del guía clavos retorna a la posición central.
6. Compruebe que el guía clavos está correctamente encajado tirando levemente de él.

5.6 Protección frente a caídas 2

ADVERTENCIA

Riesgo de lesiones por caída de herramientas o accesorios.

- ▶ Utilice únicamente la cuerda de amarre para herramientas **Hilti** recomendada para su producto.
- ▶ Antes de cada uso, compruebe que el punto de fijación de la cuerda de amarre para herramientas no presente posibles daños.
- ▶ No fije ninguna cuerda de amarre para herramientas al colgador de cinturón. No utilice un colgador de cinturón para elevar el producto.



Tenga en cuenta las directivas nacionales para trabajos en altura.

Para este producto, utilice únicamente como protección frente a caídas la cuerda de amarre para herramientas **Hilti** #2261971.

- ▶ Fije la cuerda de amarre para herramientas con la correa del producto como se muestra en la figura. Compruebe que quede fijada de forma segura.
- ▶ Fije el mosquetón a una estructura portante. Compruebe que el mosquetón quede fijado de forma segura.



Tenga en cuenta el manual de instrucciones de la cuerda de amarre para herramientas **Hilti**.

6 Manejo

6.1 Conexión de la fijadora 3

ADVERTENCIA

¡Riesgo de lesiones! Presionar la fijadora contra una parte del cuerpo puede causar lesiones graves si se dispara accidentalmente una fijación.

- ▶ **No presione nunca la fijadora contra la mano u otra parte del cuerpo.**

ADVERTENCIA

Riesgo de lesiones Al retirar la guía de clavos con la mano es posible que la herramienta se prepare para funcionar. La herramienta puede hacer fijaciones incluso sobre partes del cuerpo.

- ▶ **No empujar nunca hacia atrás el cargador con la mano.**



- ▶ Pulse la tecla de encendido/apagado.
 - ▶ Se oye cómo el elemento tensor se tensa y el indicador de estado se enciende en verde.



Con temperaturas bajas disminuye el rendimiento de la batería.

El tensado del elemento tensor es mucho más lento con una batería con poca carga que con una batería completamente cargada.

Cuando el rendimiento de la batería comienza a disminuir mucho, la fijadora se desconecta antes de que se produzcan daños en las celdas de la batería.

6.2 Desconexión de la fijadora

- ▶ Pulse la tecla de encendido/apagado.
 - ▶ Se oye cómo el elemento tensor se destensa y el indicador de estado se apaga.

6.3 Realización de una fijación



ADVERTENCIA

Riesgo de lesiones en caso de manejo incorrecto o astillamiento del material.

- ▶ **¡Peligro, un clavo podría atravesar la mano!** Maneje siempre el producto con las dos manos. Sujete el producto siempre con la segunda mano como se muestra en las figuras.
- ▶ **No presione nunca la fijadora contra la mano ni ninguna otra parte del cuerpo.** Podría dispararse accidentalmente una fijación y causar lesiones graves.
- ▶ **Utilice el equipo de seguridad personal adecuado y lleve siempre gafas protectoras y guantes de seguridad.** También las personas que se encuentren alrededor deben llevar protección para los ojos y casco. Durante el proceso de fijación existe riesgo de lesiones corporales y en los ojos debido al material que se desprende de la superficie de trabajo o si existen cuerpos extraños en la zona del guía clavos.
- ▶ No intente nunca subsanar averías en la herramienta realizando otras fijaciones.



PRECAUCIÓN

Riesgo de lesiones y daños en la fijadora.

- ▶ **No recoloque nunca un elemento de fijación ya colocado previamente.** Hacerlo puede provocar la rotura y el atasco del elemento.
- ▶ Utilice para esta herramienta únicamente accesorios originales autorizados de la empresa **Hilti**. El uso de un material y accesorios no adecuados podría causar lesiones y dañar la fijadora.

1. Encienda la fijadora. → página 31
2. Coloque el elemento de fijación.
3. Coloque la fijadora de modo que forme un ángulo recto respecto a la superficie de trabajo y presione el guía clavos hasta el tope.
4. Efectúe la fijación presionando el disparador.



Después de cada fijación, utilice el calibre de comprobación para comprobar que el perno se encuentre a la profundidad de ajuste correcta.

5. Después de la fijación, levante completamente la fijadora de la superficie de trabajo.



- Si el guía clavos se presiona contra la superficie de trabajo durante más de 6 segundos sin realizar ninguna fijación, la fijadora se desconecta de forma automática. La fijadora puede volver a conectarse con la tecla de encendido/apagado.

No recoloque nunca un elemento de fijación ya colocado previamente.

- Si la fijadora no se utiliza dentro de un plazo de 6 minutos, se desconecta automáticamente.

7 Cuidado y mantenimiento

7.1 Cuidado y mantenimiento



ADVERTENCIA

Riesgo de lesiones con la batería colocada !

- ▶ Extraiga siempre la batería antes de llevar a cabo tareas de cuidado y mantenimiento.



Mantenimiento de la herramienta

- Apague la fijadora.
- Extraiga la batería.
- Extraiga el elemento de fijación del guía clavos.
- Retire con cuidado la suciedad incrustada.
- Limpie cuidadosamente las rejillas de ventilación con un cepillo seco.
- Limpie la carcasa utilizando únicamente un paño ligeramente humedecido. No utilice limpiadores que contengan silicona, ya que esta podría afectar a las piezas de plástico.

Cuidado de las baterías de Ion-Litio

- Mantenga la batería limpia y sin residuos de aceite o grasa.
- Limpie la carcasa utilizando únicamente un paño ligeramente humedecido. No utilice limpiadores que contengan silicona, ya que esta podría afectar a las piezas de plástico.
- Evite la penetración de humedad.

Mantenimiento

- Compruebe con regularidad si las piezas visibles están dañadas o si los elementos de manejo funcionan correctamente.
- No utilice el producto si presenta daños o fallos que afecten al funcionamiento. Llévela de inmediato al Servicio Técnico de **Hilti** para que la reparen.
- Coloque todos los dispositivos de protección después de las tareas de cuidado y mantenimiento y compruebe su correcto funcionamiento.



Para garantizar un correcto funcionamiento, utilice exclusivamente piezas de repuesto y consumibles originales. Puede encontrar piezas de repuesto, consumibles y accesorios para su producto que nosotros mismos comercializamos en **Hilti Store** o en: www.hilti.group.

8 Transporte y almacenamiento de las herramientas alimentadas por batería

Transporte

- ▶ Apague la fijadora.

PRECAUCIÓN

Arranque involuntario en el transporte !

- ▶ Transporte sus productos siempre sin batería.
- ▶ Extraiga la batería.
- ▶ Extraiga el elemento de fijación del guía clavos.
- ▶ No transporte nunca las baterías sin embalaje.
- ▶ Compruebe si la herramienta o las baterías presentan daños tras haber sido transportadas durante mucho tiempo.

Almacenamiento

ADVERTENCIA

Daños imprevistos debido a una batería defectuosa o agotada !

- ▶ Guarde su productos siempre sin batería.
- ▶ Guarde la herramienta y las baterías en un lugar lo más seco y fresco posible.
- ▶ No guarde nunca las baterías en un lugar expuesto al sol, en fuentes de calor ni detrás de una luna de cristal.
- ▶ Guarde la herramienta y las baterías fuera del alcance de niños y personas no autorizadas.
- ▶ Compruebe si la herramienta o las baterías presentan daños tras haber sido almacenadas durante mucho tiempo.

9 Ayuda en caso de averías

Si se producen averías que no están incluidas en esta tabla o que no puede solucionar usted, diríjase a nuestro Servicio Técnico **Hilti**.



Anomalia	Posible causa	Solución
El elemento tensor no se tensa; no aparece ninguna indicación de estado.	La batería está descargada.	► Cambie la batería.
	La batería no está correctamente insertada.	► Coloque la batería. → página 30
El elemento tensor no se tensa, el indicador de estado parpadea en verde y parpadea 1 LED del indicador del estado de carga.	La batería está descargada.	► Cambie la batería.
	La temperatura de la batería es demasiado baja.	► Deje que la batería alcance poco a poco la temperatura ambiente.
El elemento tensor no se retensa, el indicador de estado parpadea en verde y parpadean los 4 LED del indicador del estado de carga.	Exceso de temperatura en la fijadora.	► Deje que la fijadora se enfríe.
El elemento tensor no se tensa y el indicador de estado parpadea en rojo.	El guía clavos no está colocado correctamente.	► Coloque el guía clavos.
El elemento tensor no se tensa y el indicador de estado está encendido en rojo.	Error en la herramienta.	► Extraiga la batería. → página 30
		► Coloque la batería. → página 30
Elemento inclinado.	Se ha presionado demasiado la herramienta con la empuñadura.	► Presione la herramienta contra la superficie de trabajo con una presión más baja.
	La herramienta se ha presionado y ha salido del eje de ajuste.	► Presione el aparato en ángulo recto o mediante la superficie de agarre en la parte posterior de la herramienta.

10 Reciclaje

ADVERTENCIA

Riesgo de lesiones por un reciclaje indebido. Riesgo para la salud debido a escapes de gases o líquidos.

- No envíe baterías dañadas bajo ningún concepto.
- Cubra las conexiones con un material no conductor para evitar cortocircuitos.
- Deshágase de las baterías de tal forma que no terminen en manos de niños.
- Elimine la batería en su **Hilti Store** o diríjase a su empresa de desechos.

Los productos **Hilti** están fabricados en su mayor parte con materiales reutilizables. La condición para dicha reutilización es una separación adecuada de los materiales. En muchos países, **Hilti** recoge las herramientas usadas para su recuperación. Pregunte al Servicio de Atención al Cliente de **Hilti** o a su asesor de ventas.



- No deseche las herramientas eléctricas, los aparatos eléctricos ni las baterías junto con los residuos domésticos.

11 Garantía del fabricante

- Si tiene alguna consulta acerca de las condiciones de la garantía, póngase en contacto con su sucursal local de **Hilti**.

12 Más información

Encontrará información adicional sobre manejo, técnica, medio ambiente y reciclaje en el siguiente enlace: qr.hilti.com/manual/?id=2338837

Encontrará este enlace también al final de la documentación como código QR.



13 Indicación FCC (válida en EE. UU.)/indicación IC (válida en Canadá)

Este producto está sujeto al párrafo 15 de las disposiciones FCC y RSS-210 de la indicación IC. La puesta en servicio está sujeta a las dos condiciones siguientes:

- Esta herramienta no debe generar ninguna radiación nociva para la salud.
- La herramienta debe absorber cualquier tipo de radiación, incluso las provocadas por operaciones no deseadas.



Los cambios o modificaciones que no cuenten con la autorización expresa de **Hilti** pueden limitar el derecho del usuario a poner la herramienta en funcionamiento.

Manual de instruções original

1 Indicações sobre o Manual de instruções

1.1 Relativamente a este Manual de instruções

- Antes da colocação em funcionamento, leia este manual de instruções. Esta é a condição para um trabalho seguro e um manuseamento sem problemas.
- Tenha em atenção as instruções de segurança e as advertências neste Manual de instruções e no produto.
- Guarde o manual de instruções sempre junto do produto e entregue-o a outras pessoas apenas juntamente com este manual de instruções.

1.2 Explicação dos símbolos

1.2.1 Advertências

As advertências alertam para perigos durante a utilização do produto. São utilizadas as seguintes palavras de aviso:

PERIGO

PERIGO !

- ▶ Indica perigo iminente que pode originar acidentes pessoais graves ou até mesmo fatais.

AVISO

AVISO !

- ▶ Indica um possível perigo que pode causar graves ferimentos pessoais, até mesmo fatais.

CUIDADO

CUIDADO !

- ▶ Indica uma situação potencialmente perigosa que pode originar ferimentos corporais ou danos materiais.

1.2.2 Símbolos na documentação

Nesta documentação são utilizados os seguintes símbolos:



Leia o manual de instruções antes da utilização



Instruções de utilização e outras informações úteis



Manuseamento com materiais recicláveis



Não deitar as ferramentas eléctricas e baterias no lixo doméstico

1.2.3 Símbolos nas figuras

Em figuras são utilizados os seguintes símbolos:



2338837

Português

35

2	Estes números referem-se à respectiva imagem no início deste Manual
3	A numeração reproduz uma sequência dos passos de trabalho na imagem e pode divergir dos passos de trabalho no texto
11	Na figura Vista geral são utilizados números de posição que fazem referência aos números da legenda na secção Vista geral do produto
	Este símbolo pretende despertar a sua atenção durante o manuseamento do produto.

1.3 Símbolos dependentes do produto

1.3.1 Símbolos no produto

No produto, podem usar-se os seguintes símbolos:

	Sinal de obrigação geral
	Use óculos de protecção
	Use protecção auricular
	Use capacete de segurança
	Corrente contínua
	A ferramenta suporta a tecnologia NFC que é compatível com plataformas iOS e Android.
	Série utilizada da bateria de iões de lítio Hilti . Tenha em atenção as indicações no capítulo Utilização conforme a finalidade projectada .
	Nunca utilize a bateria como ferramenta de percussão.
	Não deixe cair a bateria. Não utilize baterias que tenham recebido uma pancada ou que estejam, de outra forma, danificadas.
	Se existente no produto, isso significa que o produto foi certificado por este organismo de certificação para o mercado americano e canadiano de acordo com as normas em vigor.

1.4 Dados informativos sobre o produto

Os produtos destinam-se ao utilizador profissional e só podem ser operados, mantidos e reparados por pessoal autorizado, devidamente qualificado. Estas pessoas deverão estar informadas em particular sobre os potenciais perigos. O produto e seu equipamento auxiliar podem representar perigo se usados incorrectamente por pessoas não qualificadas ou se usados para fins diferentes daqueles para os quais foram concebidos.

A designação e o número de série são indicados na placa de características.

- ▶ Registe o número de série na tabela seguinte. Precisa dos dados do produto para colocar questões ao nosso representante ou posto de serviço de atendimento aos clientes.

Dados do produto

Tipo:	BX 3-SCT
Geração:	02
N.º de série:	

2 Segurança

2.1 Normas de segurança gerais para ferramentas eléctricas

AVISO! Leia todas as normas de segurança e instruções. O não cumprimento das normas de segurança e instruções pode resultar em choque eléctrico, incêndio e/ou lesões graves.

Guarde bem todas as normas de segurança e instruções para futura referência.



Segurança no posto de trabalho

- ▶ **Mantenha a sua área de trabalho limpa e bem iluminada.** Locais desarrumados ou mal iluminados podem ocasionar acidentes.
- ▶ **Não utilize a ferramenta eléctrica em ambientes explosivos ou na proximidade de líquidos ou gases inflamáveis.** Ferramentas eléctricas produzem faíscas que podem provocar a ignição de pó e vapores.
- ▶ **Mantenha crianças e terceiros afastados durante os trabalhos.** Distracções podem conduzir à perda de controlo sobre a ferramenta.

Segurança eléctrica

- ▶ **Evite o contacto do corpo com superfícies ligadas à terra, como, por exemplo, canos, radiadores, fogões e frigoríficos.** Existe um risco elevado de choque eléctrico se o corpo estiver com ligação à terra.
- ▶ **As ferramentas eléctricas não devem ser expostas à chuva nem à humidade.** A infiltração de água numa ferramenta eléctrica aumenta o risco de choque eléctrico.

Segurança física

- ▶ **Esteja alerta, observe o que está a fazer e tenha prudência ao trabalhar com uma ferramenta eléctrica. Se estiver cansado ou sob influência de drogas, álcool ou medicamentos não efectue nenhum trabalho com ferramentas eléctricas.** Um momento de distração ao operar a ferramenta eléctrica pode causar ferimentos graves.
- ▶ **Use equipamento de segurança. Use sempre óculos de protecção.** Equipamento de segurança, como, por exemplo, máscara antipoeiras, sapatos de segurança antiderrapantes, capacete de segurança ou protecção auricular, de acordo com o tipo e aplicação da ferramenta eléctrica, reduzem o risco de lesões.
- ▶ **Evite um arranque involuntário. Assegure-se de que a ferramenta eléctrica está desligada antes de a ligar à bateria, pegar nela ou a transportar.** Transportar a ferramenta eléctrica com o dedo no interruptor ou ligar uma ferramenta à tomada com o interruptor ligado (ON) pode resultar em acidentes.
- ▶ **Remova quaisquer chaves de ajuste (chaves de fenda), antes de ligar a ferramenta eléctrica.** Um acessório ou chave deixado preso numa parte rotativa da ferramenta pode causar ferimentos.
- ▶ **Evite posturas corporais desfavoráveis. Mantenha sempre uma posição correcta, em perfeito equilíbrio.** Desta forma será mais fácil manter o controlo sobre a ferramenta eléctrica em situações inesperadas.
- ▶ **Use roupa apropriada. Não use roupa larga ou jóias. Mantenha o cabelo, vestuário e luvas afastados das peças móveis.** Roupas largas, jóias ou cabelos compridos podem ficar presos nas peças móveis.
- ▶ **Se poderem ser montados sistemas de remoção e de recolha de pó, assegure-se de que estes estão ligados e são utilizados correctamente.** A utilização de um sistema de remoção de pó pode reduzir os perigos relacionados com a exposição ao mesmo.

Utilização e manuseamento da ferramenta eléctrica

- ▶ **Não sobrecarregue a ferramenta. Use para o seu trabalho a ferramenta eléctrica correcta.** Com a ferramenta eléctrica adequada obterá maior eficiência e segurança se respeitar os seus limites.
- ▶ **Não utilize a ferramenta eléctrica se o interruptor estiver defeituoso.** Uma ferramenta eléctrica que já não possa ser accionada pelo interruptor é perigosa e deve ser reparada.
- ▶ **Remova a bateria, antes de efectuar ajustes na ferramenta, substituir acessórios ou guardar a ferramenta.** Esta medida preventiva evita o accionamento accidental da ferramenta eléctrica.
- ▶ **Guarde ferramentas eléctricas não utilizadas fora do alcance das crianças. Não permita que o aparelho seja utilizado por pessoas não familiarizadas com o mesmo ou que não tenham lido estas instruções.** Ferramentas eléctricas operadas por pessoas não treinadas são perigosas.
- ▶ **Faça uma manutenção cuidadosa das ferramentas eléctricas. Verifique se as partes móveis funcionam perfeitamente e não emperram ou se há peças quebradas ou danificadas que possam influenciar o funcionamento da ferramenta eléctrica. Peças danificadas devem ser reparadas antes da utilização da ferramenta.** Muitos acidentes são causados por ferramentas eléctricas com manutenção deficiente.
- ▶ **Mantenha as ferramentas de corte sempre afiadas e limpas.** Acessórios com gumes afiados tratados correctamente emperram menos e são mais fáceis de controlar.
- ▶ **Utilize a ferramenta eléctrica, acessórios, bits, etc., de acordo com estas instruções. Tome também em consideração as condições de trabalho e o trabalho a ser efectuado.** A utilização da ferramenta eléctrica para outros fins além dos previstos, pode ocasionar situações de perigo.



Utilização e manuseamento da ferramenta a bateria

- ▶ **Apenas deverá carregar as baterias em carregadores recomendados pelo fabricante.** Num carregador adequado para um determinado tipo de baterias existe perigo de incêndio se for utilizado para outras baterias.
- ▶ **Nas ferramentas eléctricas utilize apenas as baterias previstas.** A utilização de outras baterias pode causar ferimentos e riscos de incêndio.
- ▶ **Quando a bateria não estiver em uso, mantenha-a afastada de outros objectos de metal, como, por exemplo, cliques, moedas, chaves, pregos, parafusos, ou outros pequenos objectos metálicos que possam ligar em ponte os contactos.** Um curto-circuito entre os contactos da bateria pode causar queimaduras ou incêndio.
- ▶ **Utilizações inadequadas podem provocar derrame do líquido da bateria. Evite o contacto com este líquido.** O líquido que escorre da bateria pode provocar irritações ou queimaduras da pele. No caso de contacto accidental, enxágue imediatamente com água. Se o líquido entrar em contacto com os olhos, procure auxílio médico.

Assistência

- ▶ **A sua ferramenta eléctrica só deve ser reparada por pessoal qualificado e só devem ser utilizadas peças sobressalentes originais.** Isto assegurará que a segurança da ferramenta eléctrica se mantenha.

2.2 Indicações de segurança para ferramentas de fixação

- ▶ **Parta sempre do princípio de que a ferramenta eléctrica contém cliques.** O manuseamento negligente da ferramenta de fixação pode causar o disparo inesperado de cliques e causar ferimentos.
- ▶ **Não aponte a ferramenta eléctrica para si mesmo ou para outras pessoas nas proximidades.** Em caso de accionamento accidental é disparado um clipe, o que pode causar ferimentos.
- ▶ **Não accione a ferramenta eléctrica antes de estar colocada firmemente sobre a peça.** Se a ferramenta eléctrica não estiver em contacto com a peça, o clipe pode ricochetear no ponto de fixação.
- ▶ **Desligue a ferramenta eléctrica da rede ou da bateria, caso o clipe encrave na ferramenta eléctrica.** Se a ferramenta de fixação estiver ligada, pode ser accionada inadvertidamente ao remover um clipe encravado.
- ▶ **Tenha cuidado ao remover um clipe encravado.** O sistema pode estar sob tensão e o clipe ser disparado com força enquanto tenta reparar o bloqueio.
- ▶ **Ao fixar cabos eléctricos, certifique-se de que estes não se encontram sob tensão eléctrica. Pegue na ferramenta de fixação apenas pela superfície isolada do punho. Utilize somente cliques adequados para a instalação de cabos eléctricos. Verifique se o clipe não danificou o isolamento do cabo eléctrico.** Um clipe que tenha danificado o isolamento de cabos eléctricos, pode provocar choque eléctrico e risco de incêndio.

2.3 Normas de segurança

Informação básica no que se refere a normas de segurança

⚠ AVISO! Leia todas as normas de segurança e instruções. O não cumprimento das normas de segurança e instruções pode resultar em choque eléctrico, incêndio e/ou lesões graves. Guarde bem todas as normas de segurança e instruções para futura referência.

Informações ao utilizador

- ▶ Só pode operar ou efectuar a manutenção desta ferramenta, se tiver obtido autorização e instrução para o efeito.

Equipamento de protecção individual

- ▶ Durante a utilização, você e pessoas na proximidade devem utilizar óculos de protecção (ANSI Z87.1 (CAN/CSA Z94.3)) e um capacete de protecção adequados.
- ▶ Use uma protecção auricular (ANSI S12.6 (S3.19)).
 - ▶ Ruído excessivo pode prejudicar a audição.

Segurança física

- ▶ Tenha em atenção as indicações contidas neste manual de instruções sobre utilização, conservação e manutenção.
- ▶ Esteja alerta, observe o que está a fazer e tenha prudência ao trabalhar com a ferramenta de montagem directa. Não use a ferramenta se estiver cansado ou sob a influência de drogas, álcool ou medicamentos. Interrompa o trabalho em caso de dores ou indisposição. Um momento de distracção ao operar a ferramenta pode causar ferimentos graves.
- ▶ Evite uma postura de trabalho inadequada. Mantenha uma posição de trabalho segura e equilibrada.



- ▶ Faça pausas para relaxar os músculos e melhorar a circulação sanguínea nas mãos.
- ▶ Use calçado antiderrapante.
- ▶ Mantenha os braços flectidos quando utilizar a ferramenta (não endireite os braços).
- ▶ Mantenha outras pessoas, e principalmente as crianças, afastadas do raio de acção da ferramenta durante os trabalhos.
- ▶ Risco de ferimentos devido a queda de ferramentas e/ou acessórios. Antes de iniciar os trabalhos, verifique se os acessórios montados estão realmente fixos.

Utilização e manutenção cuidadosa de ferramentas de montagem directa

⚠ AVISO! Perigo devido à ruptura de elementos de fixação! Antes de aplicar os elementos de fixação, certifique-se de que não se encontra ninguém atrás ou por baixo do elemento construtivo no qual será aplicado o elemento de fixação.

- ▶ Utilize a ferramenta certa para o seu trabalho. Não utilize a ferramenta para fins para os quais não foi concebida e apenas se estiver completamente operacional.
- ▶ Nunca deixe uma ferramenta carregada sem supervisão.
- ▶ Transporte e guarde a ferramenta numa mala protegida.
- ▶ Desligue sempre a ferramenta antes de iniciar trabalhos de limpeza, de serviço e de manutenção, ao mudar a guia de pregos, se o trabalho for interrompido e antes de a guardar.
- ▶ Guarde as ferramentas que não estejam a ser utilizadas, descarregadas, num local seco e fechado, fora do alcance das crianças.
- ▶ Verifique a ferramenta e os acessórios em relação a eventuais danos. Certifique-se de que todas as peças móveis estão perfeitamente operacionais, sem encravar e sem avarias.
 - ▶ Todas as peças devem estar correctamente encaixadas e preencher todos os requisitos de segurança. Peças danificadas devem ser reparadas ou substituídas adequadamente pelo Centro de Assistência Técnica **Hilti**, desde que não seja indicado nada em contrário no manual de instruções.
- ▶ Antes de iniciar os trabalhos, verifique o local de trabalho relativamente a cabos eléctricos encobertos, bem como tubos de gás e água, por ex., com um detector de metais. Partes metálicas externas da ferramenta podem transformar-se em condutores de corrente se, por ex., uma linha eléctrica for danificada inadvertidamente.
- ▶ Não assente elementos de fixação em material base inadequado.
 - ▶ Materiais desadequados são vidro, mármore, plástico, bronze, latão, cobre, material de isolamento, tijolos de madeira, tijolos de cerâmica, chapas finas (< 4 mm) e betão poroso. A fixação nestes materiais poderá fazer com que o elemento quebre, estilhace ou atravesse o material base.
- ▶ Pressione o gatilho apenas quando o nariz da ferramenta estiver totalmente encostado na vertical contra o material base.
- ▶ Ao efectuar fixações, coloque a ferramenta de fixação sempre perpendicularmente à base, de modo a evitar que o elemento de fixação faça ricochete no material base.
- ▶ Mantenha os punhos secos, limpos e isentos de óleo e gordura.
- ▶ Nunca deixe cair a ferramenta.
- ▶ Não utilize a ferramenta em locais onde exista risco de incêndio ou de explosão, a não ser que esteja especificamente aprovada para tal.

Local de trabalho

- ▶ Mantenha o seu posto de trabalho arrumado. Mantenha o local de trabalho livre de quaisquer objectos que possam provocar ferimentos.
 - ▶ O desleixo no local de trabalho pode causar acidentes.
- ▶ Assegure-se de que a área de trabalho está bem iluminada e arejada.

Medidas de segurança mecânicas

- ▶ Nunca proceda a quaisquer manipulações ou modificações na ferramenta, em particular no pistão.
- ▶ Utilize somente elementos de fixação destinados e aprovados para o uso com a ferramenta.

Medidas de segurança térmica

- ▶ Não exceda a máxima frequência de fixação recomendada (consultar o capítulo Características técnicas).
- ▶ Caso a ferramenta tenha sobreaquecido, deixe-a arrefecer.
- ▶ Não desmonte a ferramenta se esta estiver quente. Deixe a ferramenta arrefecer.

2.4 Utilização e manutenção de baterias

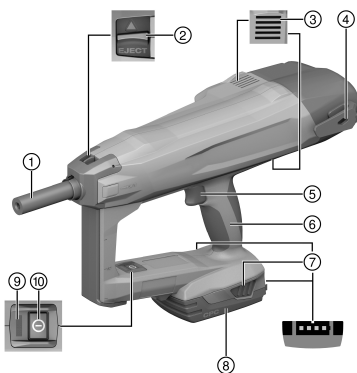
- ▶ Observe as regras específicas sobre transporte, armazenamento e utilização de baterias de iões de lítio.
- ▶ Mantenha as baterias afastadas de temperaturas elevadas, radiação solar directa e fogo.



- ▶ As baterias não devem ser desmontadas, esmagadas, aquecidas acima dos 80 °C (176 °F) ou incineradas.
- ▶ Não utilize ou carregue quaisquer baterias que tenham sofrido golpes, tenham caído de altura superior a um metro ou tenham sido danificadas de outra forma. Neste caso, contacte sempre o seu **Centro de Assistência Técnica Hilti**.
- ▶ Se a bateria estiver demasiado quente ao toque, poderá estar com defeito. Coloque a bateria num local com boa visibilidade que não constitua risco de incêndio, suficientemente afastado de materiais inflamáveis. Deixe a bateria arrefecer. Se, passado uma hora, a bateria ainda estiver demasiado quente ao toque, então está com defeito. Contacte o **Centro de Assistência Técnica Hilti**.

3 Descrição

3.1 Vista geral do produto



- ① Guia de pregos
- ② Fecho da guia de pregos
- ③ Saídas de ar
- ④ Gancho de cinto
- ⑤ Disparador
- ⑥ Punho
- ⑦ Botões de destravamento com função adicional – activação do indicador do estado de carga
- ⑧ Bateria de iões de lítio
- ⑨ Indicação de estado
- ⑩ Tecla Ligar/Desligar

3.2 Utilização correcta

O produto é uma ferramenta de fixação manual alimentada a bateria. Destina-se à aplicação de elementos de fixação em betão. Utilize apenas elementos de fixação aprovados em associação com a guia de pregos prevista para o efeito.

CUIDADO

Avaliação errada da resistência do betão Se for utilizada a guia de pregos errada ou o elemento de fixação errado, isso poderá dar origem a uma má qualidade de fixação do elemento de fixação e, conseqüentemente, a uma avaliação errada da resistência do betão.

- ▶ Utilize sempre a guia de pregos certa!
- ▶ Utilize sempre o elemento de fixação certo!

A ferramenta de fixação, a bateria e os elementos de fixação formam uma unidade técnica. Utilize os elementos de fixação fabricados especificamente para a ferramenta **Hilti** e os carregadores e baterias recomendados pela **Hilti**. As recomendações de fixação e aplicação indicadas pela **Hilti** só serão aplicáveis se estas condições forem observadas.

- ▶ A ferramenta de fixação pode apenas ser utilizada manualmente.
- ▶ Devem ser excluídas utilizações incorrectas. É considerada uma utilização incorrecta o accionamento sem que esteja inserido um elemento na guia de pregos.
- Para este produto, utilize apenas as baterias de iões de lítio **Hilti** da série B 22.
- Utilize apenas carregadores aprovados pela **Hilti** para estas baterias. Pode encontrar mais informações na sua **Hilti Store** ou em: www.hilti.group

3.3 Indicação de estado

A indicação de estado fornece informação sobre os estados da ferramenta de fixação.



Estado	Significado
Desligado	A ferramenta de fixação está desligada
LED acende a verde.	A ferramenta de fixação está ligada e pronta a funcionar
O LED pisca a verde a cada 3 segundos.	A ferramenta de fixação está em modo de standby, pressionando o nariz da ferramenta liga-se a ferramenta de fixação
LED pisca continuamente a verde.	A ferramenta de fixação está demasiado quente ou a bateria demasiado descarregada, consultar a tabela de avarias
LED pisca a vermelho.	Avaria na ferramenta, consultar tabela de avarias
LED acende a vermelho.	Avaria na ferramenta, consultar tabela de avarias
LED pisca a amarelo.	Leve a ferramenta até ao Centro de Assistência Técnica Hilti .

3.4 Indicação do estado da carga da bateria

Ao accionar uma tecla de destravamento da bateria, o visor exibe o estado da carga da bateria.



Não é possível uma consulta fiável do estado de carga durante e imediatamente após o processo de projecção.

Estado	Significado
Todos os quatro LEDs acendem a verde.	O estado da carga é de 75 % a 100 %.
Três LEDs acendem a verde.	O estado da carga é de 50 % a 75 %.
Dois LEDs acendem a verde.	O estado da carga é de 25 % a 50 %.
Um LED acende a verde.	O estado da carga é de 10 % a 25 %.
Um LED pisca a verde.	O estado da carga é inferior a 10 %.

3.5 Incluído no fornecimento

Ferramenta de fixação BX 3-SCT, manual de instruções.

Poderá encontrar outros produtos de sistema aprovados para o seu produto na sua **Hilti Store** ou em: www.hilti.group

4 Características técnicas

4.1 Ferramenta de fixação

Peso incluindo bateria B222.6	4,0 kg (8,8 lb)
Guia de pregos	X-FG B3-SCT 02
Elemento de fixação	<ul style="list-style-type: none"> • X-M6-8-52 DP7 SCT B3 • X-M6-8-62 DP7 SCT B3 • X-M6-8-87 DP7 SCT B3
Comprimento do elemento de fixação	52 mm / 62 mm / 87 mm (2,0 in / 2,4 in / 3,4 in)
Diâmetro de elementos de fixação	3,5 mm (0,14 in)
Movimento de contacto	12 mm (0,5 in)
Pressão de contacto	50 N ... 70 N (11 lb, ... 16 lb)
Temperatura operacional (temperatura ambiente)	-15 °C ... 50 °C (5 °F ... 122 °F)



Temperatura operacional do elemento de fixação	-10 °C ... 50 °C (14 °F ... 122 °F)
Frequência máxima de fixação recomendada	650/h
Tensão nominal	21,6 V

5 Trabalhos de equipamento

5.1 Colocar a bateria



AVISO

Risco de ferimentos devido a curto-circuito ou queda da bateria!

- ▶ Antes de encaixar a bateria, certifique-se de que os contactos da bateria e os contactos no produto estão livres de corpos estranhos.
- ▶ Certifique-se de que a bateria engata sempre correctamente.

1. A bateria deve ser completamente carregada antes da primeira utilização.
2. Introduza a bateria no produto até engatar de forma audível.
3. Verifique se a bateria está correctamente encaixada.

5.2 Retirar a bateria

1. Pressione os botões de destravamento da bateria.
2. Puxe a bateria para fora da ferramenta.

5.3 Carregar a bateria

1. Antes de carregar, leia o manual de instruções do carregador.
2. Certifique-se de que os contactos da bateria e do carregador estão limpos e secos.
3. Carregue a bateria num carregador aprovado.

5.4 Retirar a guia de pregos

1. Desligue a ferramenta de fixação.
2. Retire a bateria.
3. Retire o elemento de fixação da guia de pregos.
4. Empurre o fecho da guia de pregos no sentido da seta até ao batente.
 - ▶ A guia de pregos é libertada.
5. Retire a guia de pregos.

5.5 Colocar a guia de pregos

1. Desligue a ferramenta de fixação.
2. Retire a bateria.
3. Empurre o fecho da guia de pregos no sentido da seta até ao batente e mantenha-o nesta posição.
4. Empurre a guia de pregos para dentro do nariz da ferramenta, até que engate de forma audível.
5. Solte o fecho da guia de pregos.
 - ▶ O fecho da guia de pregos salta para a posição central.
6. Verifique o encaixe correcto da guia de pregos, puxando-a.

5.6 Protecção antiqueda



AVISO

Risco de ferimentos devido a queda de ferramentas e/ou acessórios!

- ▶ Utilize apenas o cabo de segurança para ferramentas **Hilti** recomendado para o seu produto.
- ▶ Antes de cada utilização, verifique o ponto de fixação do cabo de segurança para ferramentas quanto a possíveis danos.
- ▶ Não fixe nenhum cabo de segurança para ferramentas no gancho de cinto. Não utilize um gancho de cinto para elevação do produto.





Observe as directivas nacionais para trabalhos em altura.

Utilize exclusivamente o cabo de segurança para ferramentas **Hilti** #2261971 como protecção ant queda para este produto.

- ▶ Fixe o cabo de segurança para ferramentas ao produto com o laço como ilustrado na imagem. Verifique se está bem apertado.
- ▶ Fixe o mosquetão a uma estrutura de suporte. Verifique se o mosquetão está bem apertado.



Observe o manual de instruções do cabo de segurança para ferramentas **Hilti**.

6 Utilização

6.1 Ligar a ferramenta de fixação



AVISO

Risco de ferimentos! O pressionamento da ferramenta de fixação contra uma parte do corpo pode causar graves ferimentos em caso de accionamento acidental de uma fixação.

- ▶ **Nunca pressione a ferramenta de fixação contra a sua mão ou uma outra parte do corpo.**



AVISO

Risco de ferimentos! Em certas circunstâncias, a ferramenta pode disparar mesmo se a guia de fixação for puxada manualmente. Isto pode provocar uma projecção contra qualquer parte do corpo.

- ▶ **Nunca puxe a guia de fixação manualmente.**
- ▶ Pressione a tecla Ligar/Desligar.
 - ▶ O elemento de mola é tensionado de forma audível, e a indicação de estado apaga-se.



A baixas temperaturas, a performance da bateria diminui consideravelmente.

O aperto do elemento de mola é mais lento em caso de diminuição da performance da bateria do que com a bateria totalmente carregada.

Na operação com performance diminuída da bateria, a ferramenta de fixação desliga-se antes que ocorram eventuais danos nos elementos da bateria.

6.2 Desligar a ferramenta de fixação

- ▶ Pressione a tecla Ligar/Desligar.
 - ▶ O elemento de mola é aliviado de forma audível, e a indicação de estado apaga-se.

6.3 Efectuar fixação



AVISO

Perigo de ferimento devido manuseamento errado e/ou estilhaços de material!

- ▶ **Perigo de uma fixação de prego através da mão!** Opere o produto sempre com as duas mãos! Segure sempre o produto com a segunda mão, tal como ilustrado nas imagens.
- ▶ **Nunca pressione a ferramenta de fixação contra a sua mão ou uma outra parte do corpo!** Isso pode dar origem a ferimentos graves devido ao accionamento acidental de uma fixação.
- ▶ **Use equipamento de protecção individual. Use sempre óculos de protecção e luvas de protecção.** Também outras pessoas na área envolvente devem utilizar óculos de protecção e um capacete de segurança. Durante o processo de fixação existe o perigo de ferimentos no corpo e nos olhos devido à projecção de estilhaços do material base ou se existirem corpos estranhos na zona da guia de pregos.
- ▶ Nunca tente corrigir avarias na ferramenta através do accionamento de outras fixações!



⚠ CUIDADO**Risco de ferimentos e danificação da ferramenta de fixação!**

- ▶ **Nunca fixe o elemento de fixação através de uma segunda fixação!** Isso pode dar origem a quebras e encravamentos do elemento.
- ▶ Utilize para esta ferramenta apenas acessórios originais aprovados da empresa **Hilti**. A utilização de material e acessórios inadequados pode dar origem a ferimentos e pode danificar a ferramenta de fixação.

1. Ligue a ferramenta de fixação. → Página 43
2. Aplique o elemento de fixação.
3. Coloque a ferramenta de fixação em ângulo recto em relação ao material base e pressione a guia de pregos até ao batente.
4. Accione a fixação, premindo o dispositivo de disparo.



Após cada fixação, utilize o calibre para verificar a correta profundidade de ajuste das cavilhas.

5. Após a fixação, levante completamente a ferramenta de fixação do material base.



- Se a guia de pregos for pressionada contra um material base durante mais de 6 segundos sem que seja desencadeada uma fixação, a ferramenta de fixação desliga automaticamente. A ferramenta de fixação pode voltar a ser ligada pressionando a tecla Ligar/Desligar.

Nunca fixe o elemento de fixação através de uma segunda fixação!

- Se a ferramenta de fixação não tiver sido usada durante 6 minutos, desliga-se automaticamente.

7 Conservação e manutenção

7.1 Conservação e manutenção

⚠ AVISO**Risco de lesão com a bateria encaixada !**

- ▶ Retire sempre a bateria antes de todos os trabalhos de conservação e manutenção!

Conservação do aparelho

- Desligue a ferramenta de fixação.
- Retire a bateria.
- Retire o elemento de fixação da guia de pregos.
- Remover sujidade aderente com cuidado.
- Limpe as saídas de ar cuidadosamente com uma escova seca.
- Limpar a carcaça apenas com um pano ligeiramente humedecido. Não utilizar produtos de conservação que contenham silicone, uma vez que estes poderiam danificar os componentes de plástico.

Conservação das baterias de íões de lítio

- Manter a bateria limpa e isenta de óleo e gordura.
- Limpar a carcaça apenas com um pano ligeiramente humedecido. Não utilizar produtos de conservação que contenham silicone, uma vez que estes poderiam danificar os componentes de plástico.
- Evitar a entrada de humidade.

Manutenção

- Verificar, regularmente, todos os componentes visíveis quanto a danos e os comandos operativos quanto a funcionamento perfeito.
- Em caso de danos e/ou perturbações de funcionamento, não operar o produto. Mandar reparar de imediato pelo Centro de Assistência Técnica **Hilti**.
- Após os trabalhos de conservação e manutenção, aplicar todos os dispositivos de protecção e verificar o respectivo funcionamento.



Para um funcionamento seguro, utilize apenas peças sobresselentes e consumíveis originais. Poderá encontrar peças sobresselentes, consumíveis e acessórios aprovados por nós para o seu produto no seu **Hilti Store** ou em: www.hilti.group.



8 Transporte e armazenamento de ferramentas de baterias recarregáveis

Transporte

- ▶ Desligue a ferramenta de fixação.

CUIDADO

Arranque inadvertido durante o transporte !

- ▶ Transporte os seus produtos sempre sem as baterias colocadas!
- ▶ Retire a bateria.
- ▶ Retire o elemento de fixação da guia de pregos.
- ▶ Nunca transportar as baterias em embalagem solta.
- ▶ Após transporte prolongado, verificar a ferramenta e as baterias quanto a danos, antes da utilização.

Armazenamento

AVISO

Dano accidental devido a baterias com defeito ou a perderem líquido !

- ▶ Armazene os seus produtos sempre sem as baterias colocadas!
- ▶ Armazenar a ferramenta e as baterias em local o mais fresco e seco possível.
- ▶ Nunca armazenar as baterias em locais onde fiquem sujeitas à exposição solar, em cima de fontes de calor ou por trás de um vidro.
- ▶ Armazenar a ferramenta e as baterias fora do alcance de crianças e pessoas não autorizadas.
- ▶ Após armazenamento prolongado, verificar a ferramenta e as baterias quanto a danos, antes da utilização.

9 Ajuda em caso de avarias

No caso de avarias que não sejam mencionadas nesta tabela ou se não conseguir resolvê-las por si mesmo, contacte o nosso Centro de Assistência Técnica **Hilti**.

Avaria	Causa possível	Solução
Elemento de mola não é tensionado; nenhuma indicação de estado.	Bateria descarregada.	▶ Substitua a bateria.
	Bateria não correctamente encaixada.	▶ Coloque a bateria. → Página 42
Elemento de mola não é tensionado, indicação de estado pisca a verde e 1 LED do indicador do estado de carga pisca.	Bateria descarregada.	▶ Substitua a bateria.
	Temperatura da bateria demasiado baixa.	▶ Deixe a bateria aquecer lentamente até à temperatura ambiente.
Elemento de mola não é retensionado, indicação de estado pisca a verde e 4 LEDs do indicador do estado de carga piscam.	Sobreaquecimento na ferramenta de fixação.	▶ Deixe a ferramenta de fixação arrefecer.
O elemento de mola não é tensionado e a indicação de estado pisca a vermelho.	Guia de pregos não correctamente encaixada.	▶ Coloque a guia de pregos.
Elemento de mola não é tensionado e indicação de estado acende a vermelho.	Avarias da ferramenta	▶ Retire a bateria. → Página 42
		▶ Coloque a bateria. → Página 42
Elemento colocado de forma inclinada.	Ferramenta pressionada com demasiada força através do punho.	▶ Pressione a ferramenta com uma força menor contra o material de base.
	Ferramenta pressionada fora do eixo de colocação.	▶ Pressione a ferramenta na perpendicular ou sobre a superfície do punho no lado de trás da ferramenta.




10 Reciclagem

AVISO

Perigo de ferimentos devido a eliminação incorrecta! Riscos para a saúde devido à fuga de gases ou líquidos.

- ▶ Não envie quaisquer baterias danificadas!
 - ▶ Para evitar curto-circuitos, cubra as conexões com um material não condutor.
 - ▶ Elimine as baterias de modo a mantê-las longe do alcance das crianças.
 - ▶ Efectue a reciclagem da bateria na sua **Hilti Store** ou entre em contacto com a empresa de recolha de lixo responsável.
-

 Os produtos **Hilti** são, em grande parte, fabricados com materiais recicláveis. Um pré-requisito para a reciclagem é que esses materiais sejam devidamente separados. Em muitos países, a **Hilti** aceita o seu aparelho usado para reaproveitamento. Para mais informações, dirija-se ao Serviço de Clientes **Hilti** ou ao seu vendedor.



- ▶ Não deite as ferramentas eléctricas, aparelhos electrónicos e baterias no lixo doméstico!
-

11 Garantia do fabricante

- ▶ Se tiver dúvidas em relação às condições de garantia, contacte o seu parceiro **Hilti** local.

12 Mais informações

Podem consultar informações mais pormenorizadas sobre Utilização, Tecnologia, Meio ambiente e Reciclagem na seguinte hiperligação: qr.hilti.com/manual/?id=2338837

Também pode encontrar esta hiperligação no final da documentação sob a forma de código QR.

13 Declaração FCC (válida nos EUA) / Declaração IC (válida no Canadá)

Este produto está de acordo com a Parte 15 das especificações FCC e RSS-210 do IC.

A utilização está sujeita às duas seguintes condições:

- Esta ferramenta não deve produzir interferência prejudicial.
 - A ferramenta tem de aceitar qualquer interferência, incluindo interferências que podem causar funcionamentos indesejados.
-



Alterações ou modificações à ferramenta que não sejam expressamente aprovadas pela **Hilti** podem limitar o direito do utilizador em operar com esta ferramenta.







Hilti Corporation
LI-9494 Schaan
Tel.:+423 234 21 11
Fax:+423 234 29 65
www.hilti.com



2338837